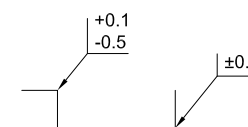
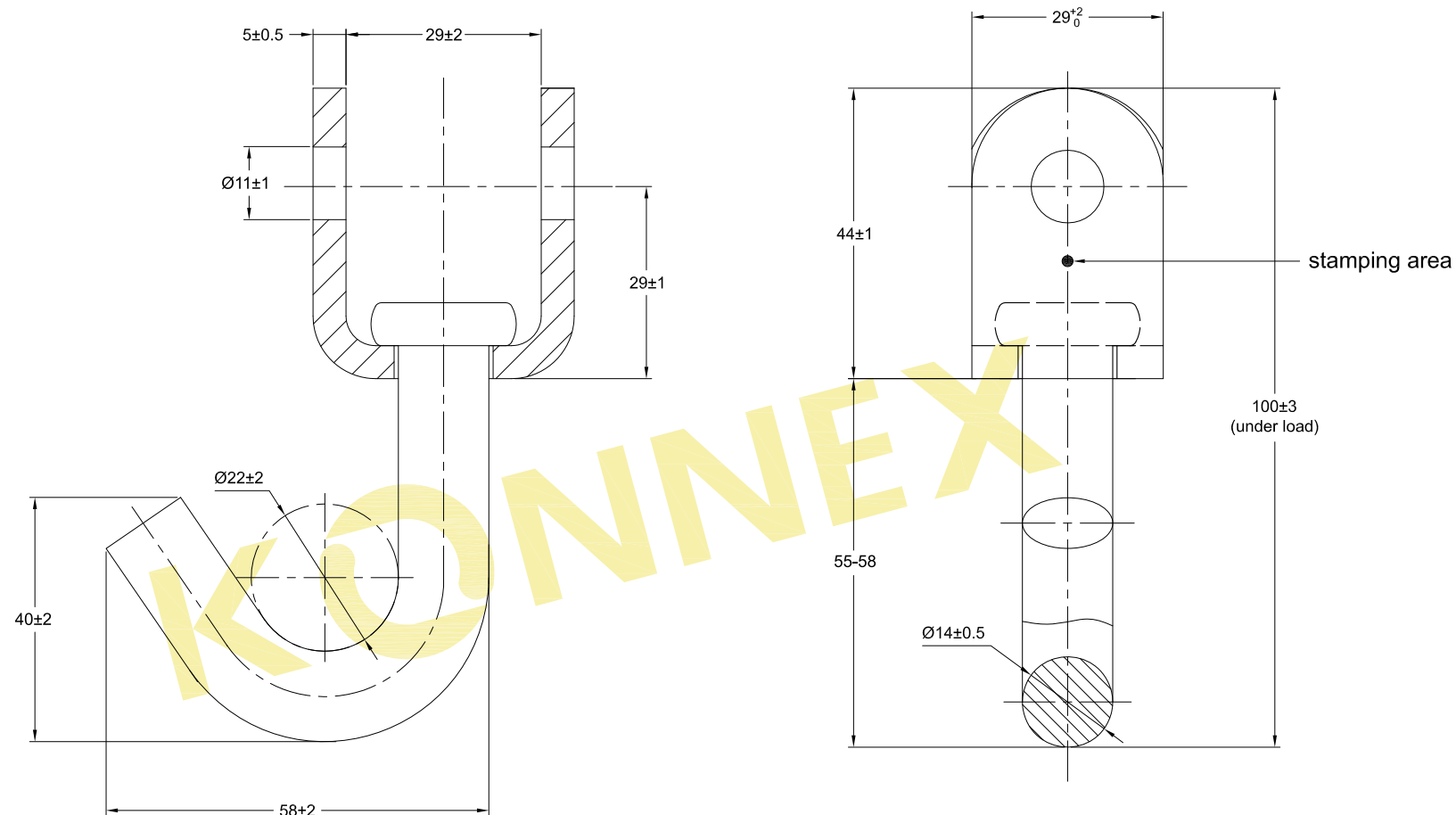


Stamping:

Logo LC 15kN SC/M/YY

1. " Logo " 
2. " LC " load capacity
3. " SC " Supplier code
4. " M " Month code
 - A-January
 - B-February
 - C-March
 - D-April
 - E-May
 - F-June
 - G-July
 - H-August
 - I-September
 - K-October
 - L-November
 - M-December
5. " YY " Year code



Technical requirements:

1. Breaking strength: 30kN
2. No cracking pitting rust spot and scratch
3. SST: 48hour no white rust 96 hours no red rust plating thickness min 5 µm

产品编号: Product Code: 72BD009 72BQ009		表面要求: Surface Requirement: galvanized	公差等级: Tolerance: ISO2768-V	视图: Projection: 	比例: Scale: 1:1	重量: Weight: 228 g									
				材料: Material: High tensile steel											
				产品名称: Part Name: Wirbelhaken 35mm - 30kN Swivel J-Hook 35mm - 30kN											
				<table border="1"> <tr> <th>页码</th> <th>版本</th> <th>格式</th> </tr> <tr> <td>Page</td> <td>Rev</td> <td>Format</td> </tr> <tr> <td>1</td> <td>---</td> <td>A4</td> </tr> </table>			页码	版本	格式	Page	Rev	Format	1	---	A4
页码	版本	格式													
Page	Rev	Format													
1	---	A4													
2 Tension requirement change 16.09.13 XML		KONNEX		图纸编号: Drawing No: 72BQ009											
1 Add Dimension 16.09.08 XML				替代图号: Replaces: 72BD009-1-01											
变更 ECN	序号 No	更改内容 Content of Change	日期 Date	更改人 Name	出处图纸编号: Original Drawing: ---	替代批准: Replaced by: ---									