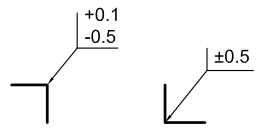
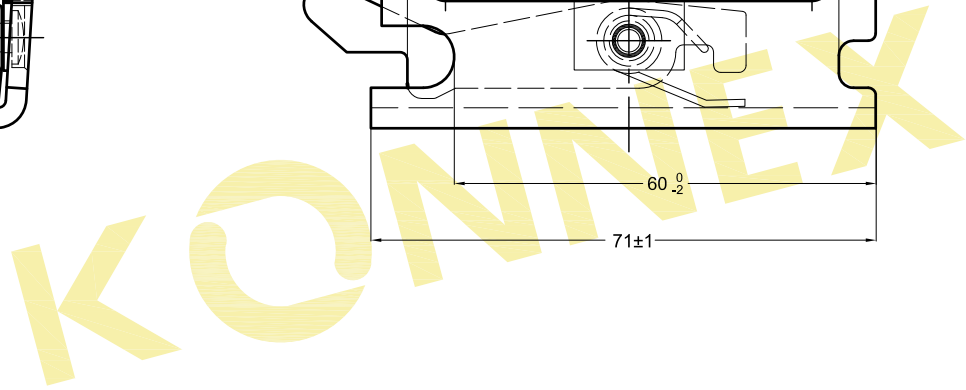
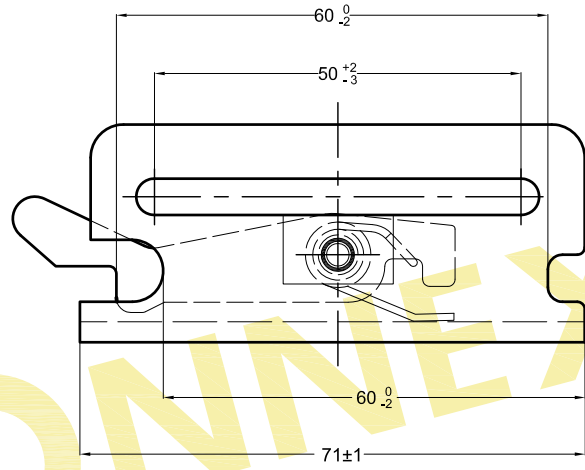
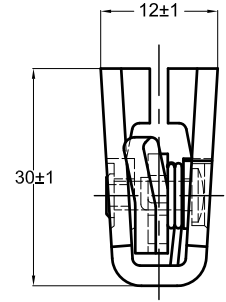


Stamping:

Logo LC 7,5kN SC/M/YY

1. "Logo" ○
2. "LC" load capacity
3. "SC" Supplier code
4. "M" Month code
 - A - January
 - B - February
 - C - March
 - D - April
 - E - May
 - F - June
 - G - July
 - H - August
 - I - September
 - K - October
 - L - November
 - M - December
5. "YY" Year code



产品编号: Product Code: 72CD010 72CQ010		表面要求: Surface Requirement: Zinc plating	公差等级: Tolerance: ---	视图: Projection:	比例: Scale: ---	重量: Weight: ---g
				材料: Material: Steel		
		日期 / Date: 2015.04.08		姓名 / Name: QWZ		
		制作 Design		产品名称: Part Name: Ankerschienen-Beschlag 50mm-15kN End terminal 50mm - 15kN		
		校核 Check				
		审批 Approve				
		KONNEX		图纸编号: 72CQ010		
				Drawing No: 72CQ010		
变更 ECN	序号 No	更改内容 Content of Change	日期 Date	更改人 Name	出处图纸编号: Original Drawing: ---	替代图号: Replaces: ---
						替代批准: Replaced by: ---
				页码 Page	版本 Rev	格式 Format
				1		A4