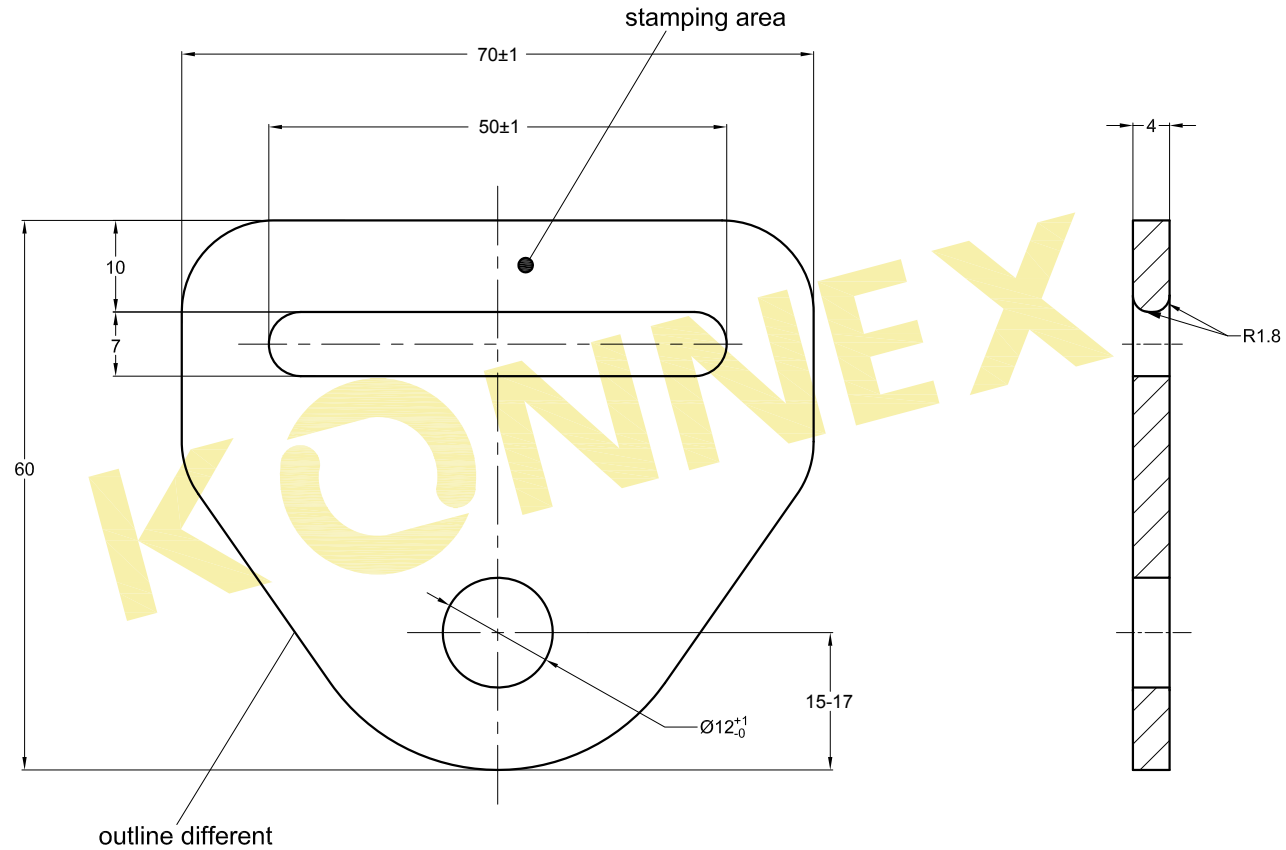


Stamping:

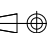
Logo LC 9KN SS/M/YY

1. " Logo " 
2. " LC " load capacity
3. " SS " Supplier code
4. " M " Month code
 - A-January
 - B-February
 - C-March
 - D-April
 - E-May
 - F-June
 - G-July
 - H-August
 - I-September
 - K-October
 - L-November
 - M-December
5. " YY " Year code



Technical requirements:

1. Breaking strength:18kN
2. No cracking pitting rust spot and scratch
3. SST: 48hour no white rust 96 hours no red rust plating thickness min 8-12 μm

产品编号: Product Code: 72CQ032 72CD032		表面要求: Surface Requirement: galvanized	公差等级: Tolerance: ISO2768-m	视图: Projection: 	比例: Scale: 1:1	重量: Weight: 86 g
				材料: Material: Steel		
				产品名称: Part Name: Endbschlag 50mm - 18kN Buckle 50mm - 18kN		
				图纸编号: Drawing No: 72CQ032		
变更 ECN	序号 No	更改内容 Content of Change	日期 Date	更改人 Name	出图图纸编号: Original Drawing: ---	替代图号: Replaces: ---
	3	Tension requirement change	17.05.19	XML		
	2	Tension requirement change	16.09.21	XML		
	1	Add size	16.07.08	ZRS		
KONNEX CO.,LTD					页码 Page	版本 Rev
					1/2	---
					格式 Format	A4