

Stamping:

Logo SC/M/YY

1. "Logo" ○

3. "SC" Supplier code

4. "M" Month code

A - January

B - February

C - March

D - April

E - May

F - June

G - July

H - August

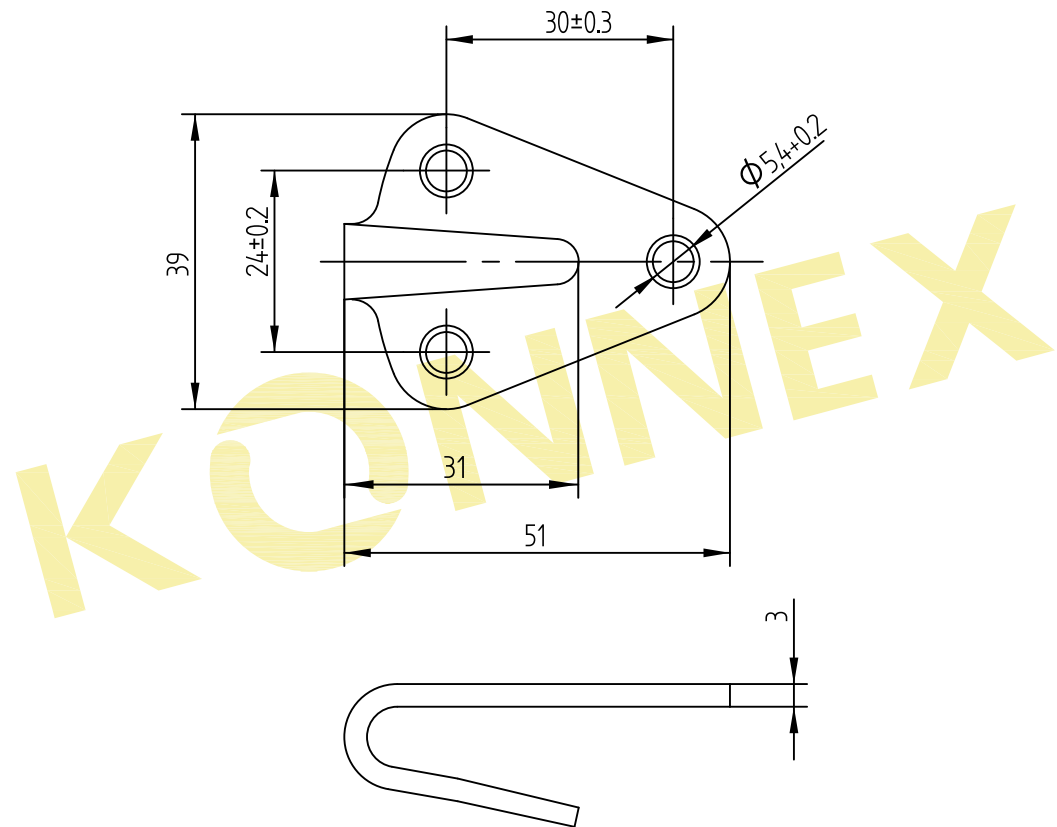
I - September

K - October

L - November

M - December

5. "YY" Year code



Technical requirements:

1. No cracking pitting rust spot and scratch
2. Tested according: EN ISO 9227 NSS
3. Tested according: DIN EN 12195-2

Product Code: 72NQ000		Surface Requirement: Zinc plating	Tolerance: ---	Projection: 	Scale: ---	Weight: ---g
				Material: Steel		
		Date 2015.04.08	Name QWZ	Part Name: Planenhaken Tarpaulin hook		
		Design		Drawing No: 72NQ000		
		Check				
		Approve				
KONNEX				Page 1	Rev	Format A4
ECN	No	Content of Change	Date	Name	Original Drawing : ---	Replaces: --- Replaced by: ---