
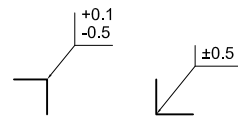
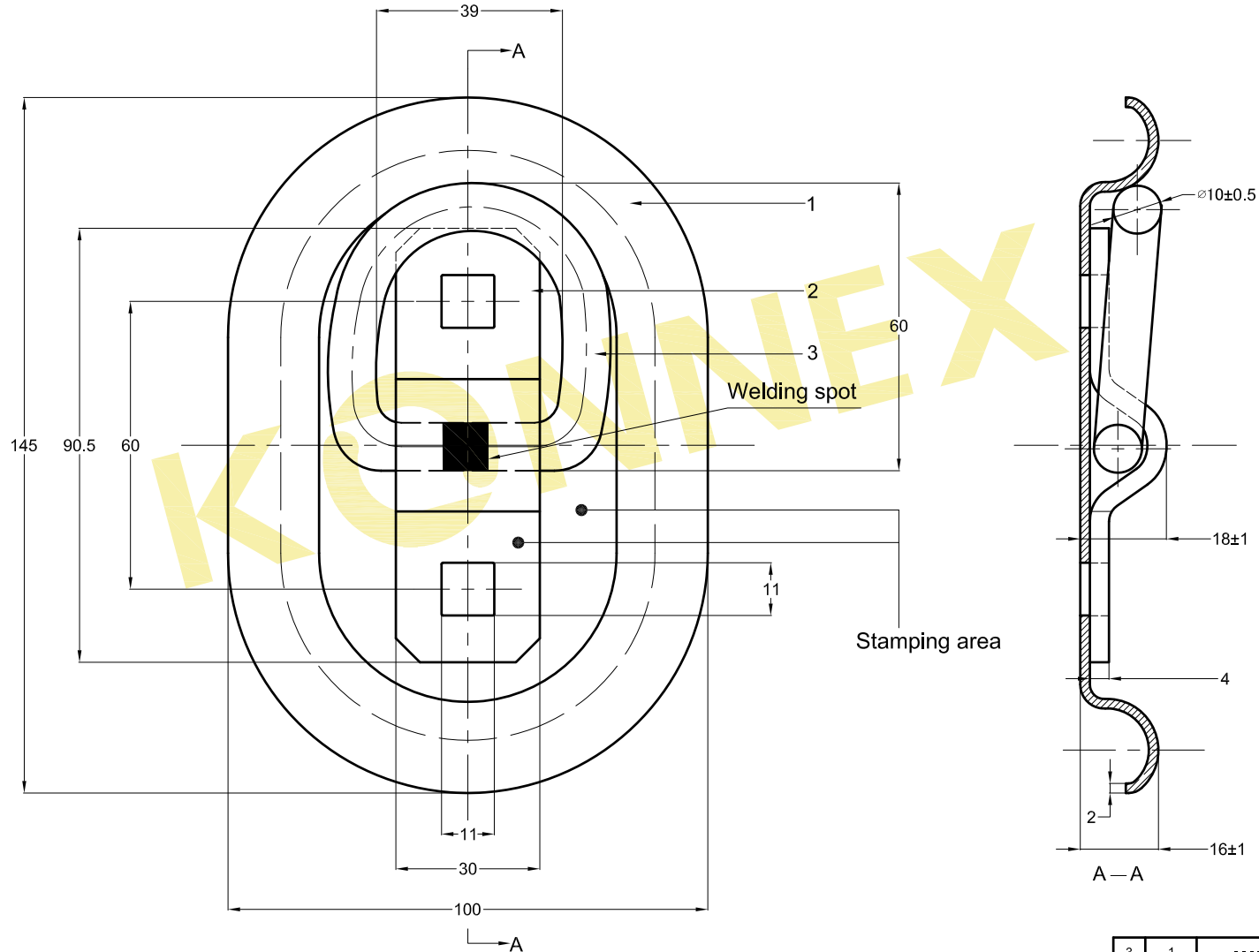


Stamping :  
 Logo LC 8kN SS/M/YY  
 1. " Logo "   
 2. " LC " Load capacity  
 3. " SS " Supplier code  
 4. " M " Month code  
 A - January  
 B - February  
 C - March  
 D - April  
 E - May  
 F - June  
 G - July  
 H - August  
 I - September  
 K - October  
 L - November  
 M - December  
 5." YY " Year code

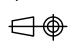


Technical requirements :

1. Breaking strength 16kN
2. No cracking pitting rust spot and scratch
3. No welding slag on the surface the welding spot should not be too large nor sting
4. SST: 48 hours no white rust 96 hours no red rust plating thickness min 5 μm

3	1	----	Hook	Steel
2	1	----	Plate	Steel
1	1	----	Base	Steel

序号 No.	数量 Quantity	图纸编号 Drawing Code	零件名称 Part Name	备注 Remark
			比例: Scale: ---	重量: Weight: 396g
			材料: Material: ---	

产品编号: Product Code: 72ZM004		表面要求: Surface Requirement: Zinc plated	公差等级: Tolerance: ISO-2768-V	视图: Projection: 	比例: Scale: ---	重量: Weight: 396g
日期 / Date 2015-01-14		姓名 / Name QWZ		产品名称: Part Name: Installation brachet assembly		
1		Tension requirement change		16-08-05		XML
变更 ECN		序号 No.		更改内容 Content of Change		日期 Date
				更改人 Name		审批 Approve
				原始图编号: Original Drawing No.: ----		替代图号: Replaces: 72ZM004 00-00
				替代批准: Replaced by: ----		
KONNEX CO.,LTD				图纸编号: Drawing No: 72ZM004 00-01		页码 Page: 1
						版本 Rev: ---
						格式 Format: A4