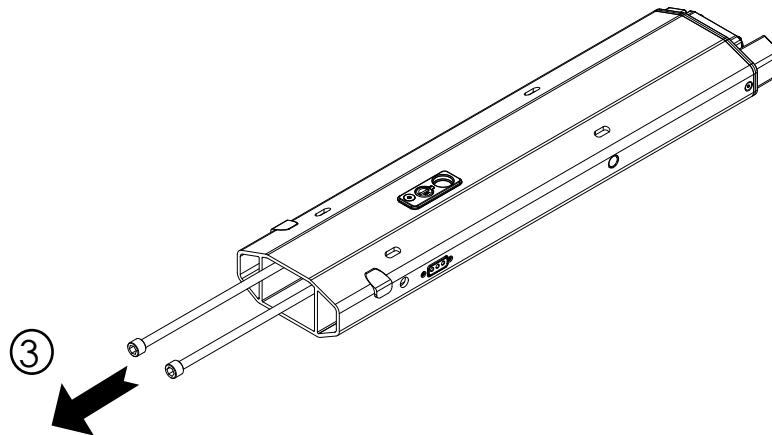
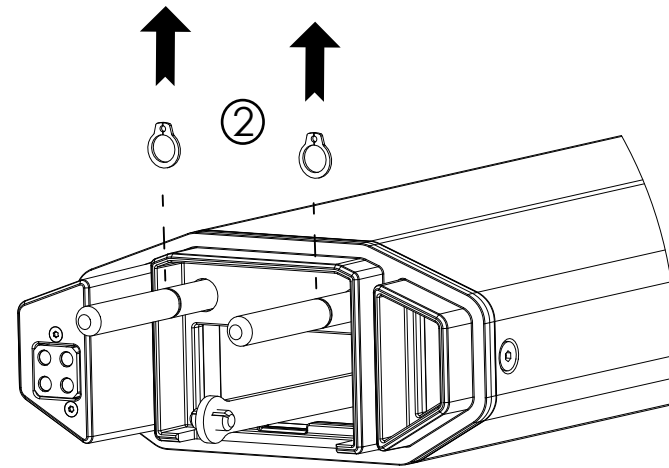
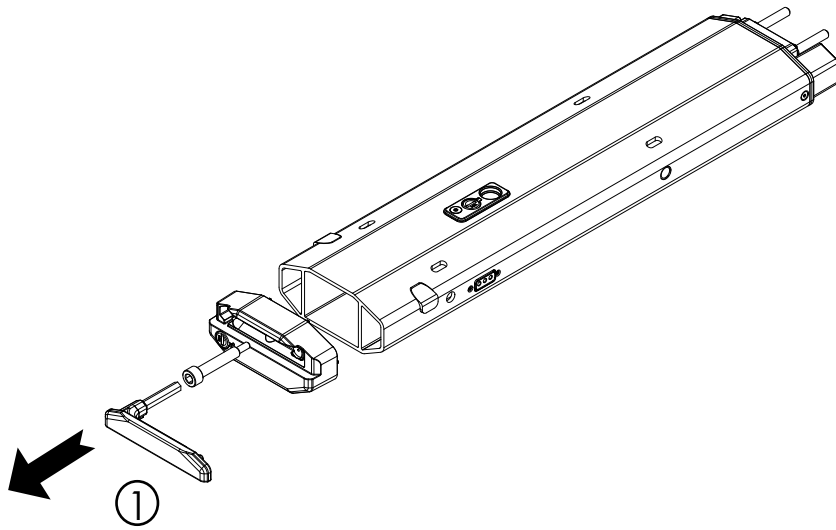


Tool Needed: 8mm Security Hex Key

1. Using the 8mm Security Hex Key, remove the center beam end cap.
2. Remove C-Clips from Add-on Bolts.
3. Remove Addon bolts.
4. Repeat these steps in reverse to install the new one.



Tool Needed: 8mm Security Hex Key

1. Using the 8mm Security Hex Key, remove the center beam end cap.
2. Remove C-Clips from Add-on Bolts.
3. Remove Addon bolts.
4. Repeat these steps in reverse to install the new one.

*For Piston Pro Only

