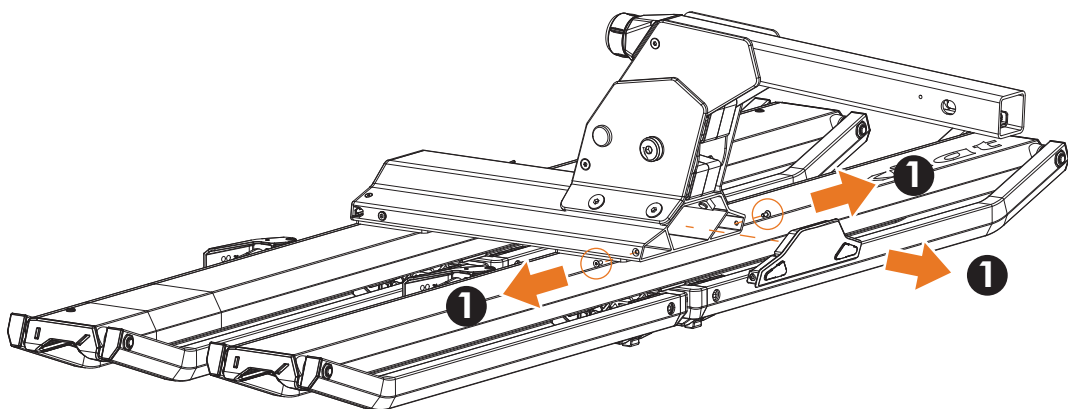


Tools Needed:

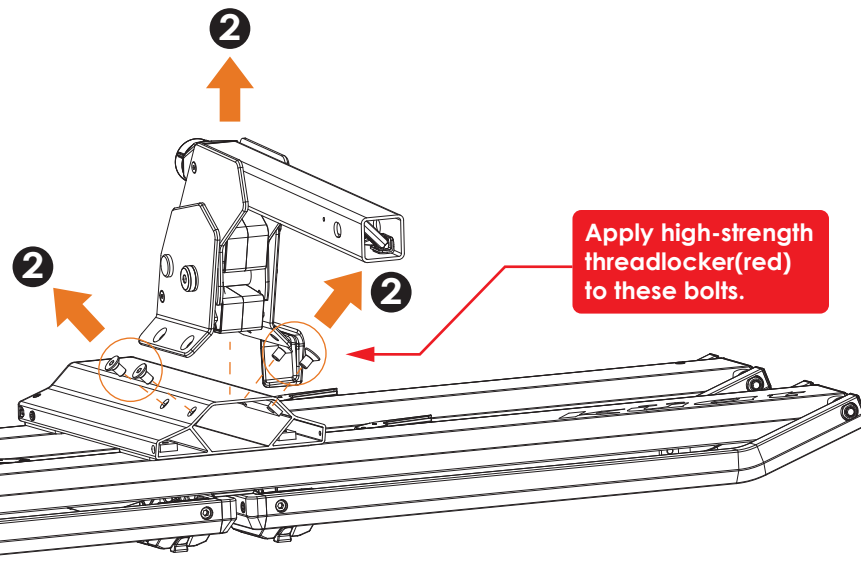
2.5mm Hex Key, 6mm Hex Key

kuat®

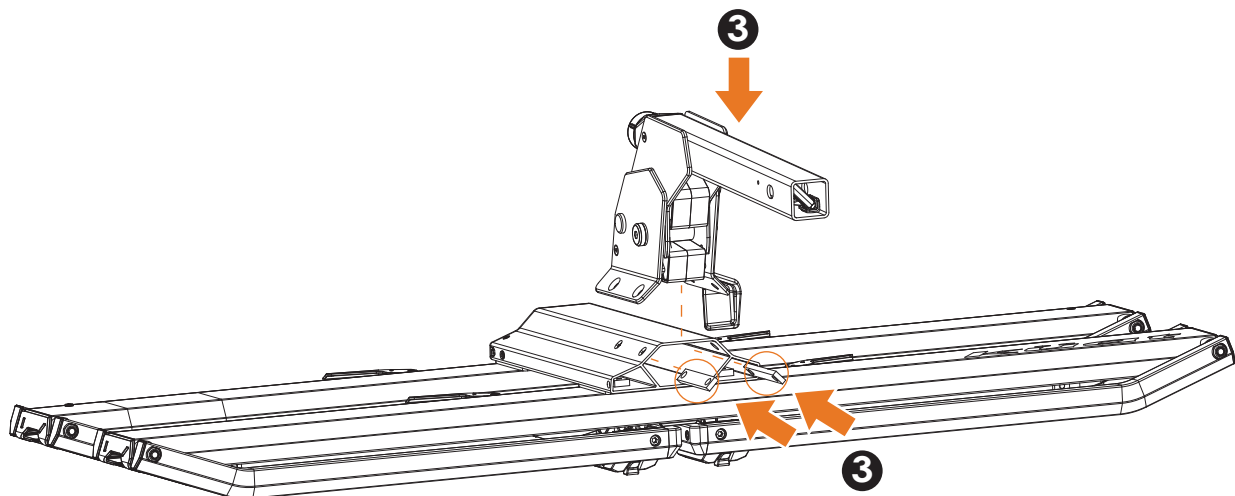
- ① Flip the rack upside down. Using the 2.5mm Hex Key, remove the two countersunk screws that connect the rear endcap to the center-beam. Retain screws.



- ② Using the 6mm Hex Key, remove the four M10 countersunk screws connecting the Lower End to the centerbeam. The Lower End can now be removed.



- ③ Slide out the old Lower End Mounting Plates. Install the new Lower End and Lower End Mounting Plates.



- ④ Apply high-strength threadlocker and torque the M10 countersink screws to 50 Nm. Reinstall the rear endcap by following step 1 in reverse.