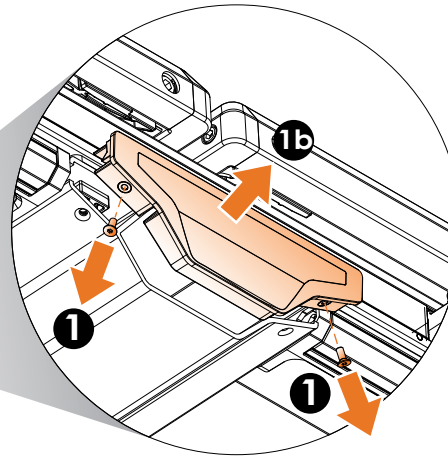
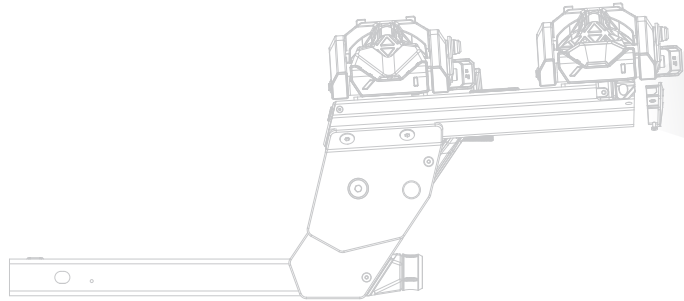


Tools Needed:

2.5mm Hex Key, 3mm Hex Key

kuat[®]

- ① Using the 2.5mm Hex Key, remove the two (2) screws holding the front beam cap.
- ①b Slide the end cap out of the beam.



- ② Disconnect the cable extension from light bar cable.
 - ②b Using the 3mm Hex Key, remove the two (2) screws holding the light bar to beam and tray. The light bar may now be removed.
- ③ To install the new light bar, perform steps 1-2 in reverse.

