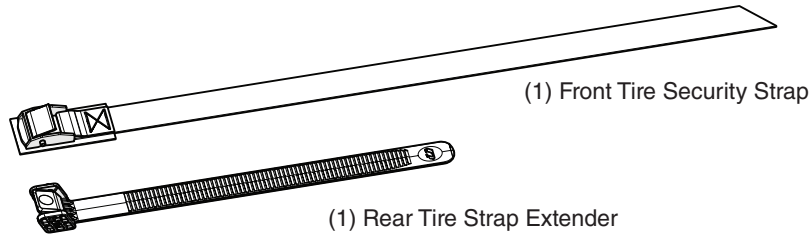


PHAT BIKE KIT

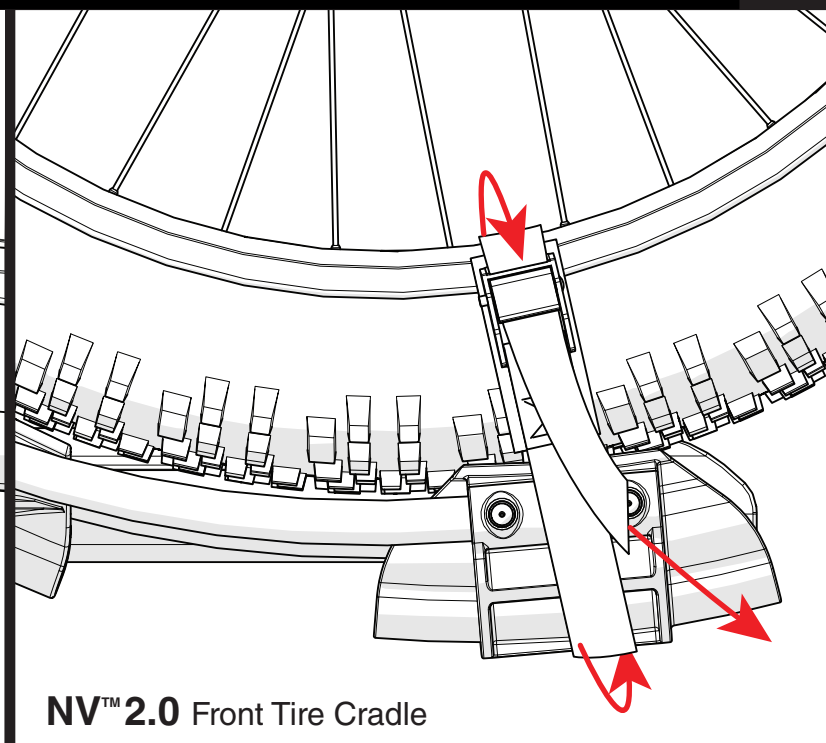
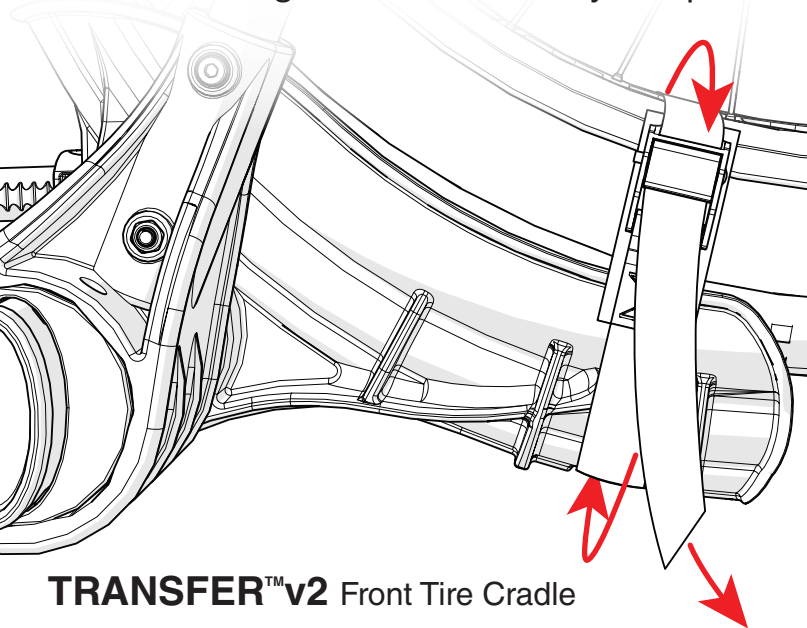
For use with the NV™ and TRANSFER™ family of racks

Use of this Kit is recommended for bikes with tires
3.25" - 5" in width or with a weight over 35lbs

Parts



- 1 Secure the front wheel to the Front Tire Cradle using Front Tire Security Strap.



- 2 Attach Strap Extender to Rear Tire Strap and thread through ratchet.

