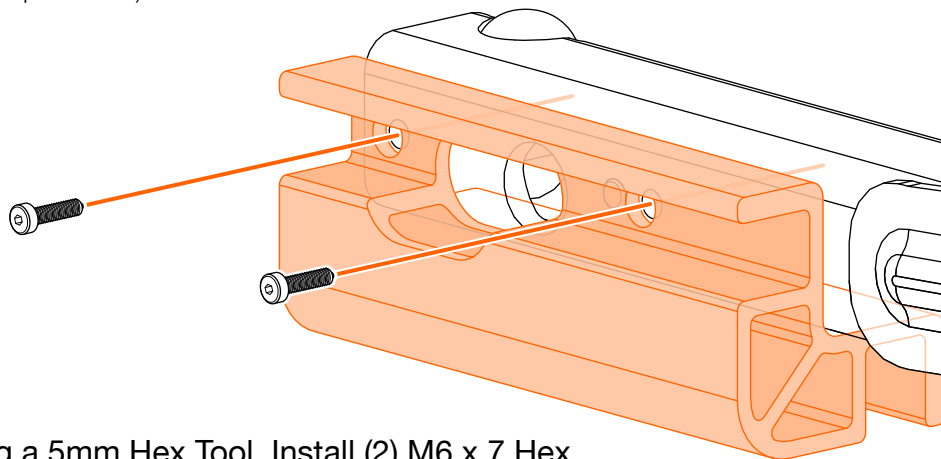


1.25" - 2" Hitch Adapter

- 1 Align Hitch Adapter with the two holes present on your Küat 1.25" hitch rack.

(1.25" Sherpa 2.0 shown)



- 2 Using a 5mm Hex Tool, Install (2) M6 x 7 Hex Screws through Hitch Adapter and into your Küat 1.25" hitch rack.
- 3 Install your rack into your vehicle's 2" hitch, tighten firmly, and secure with your existing hitch pin. Done!



The hitch pin hole may appear offset when installed in the 2" hitch receiver. The original 3/8" hitch pin **MUST** be used. If you need a lock, please contact info@kuat.com.



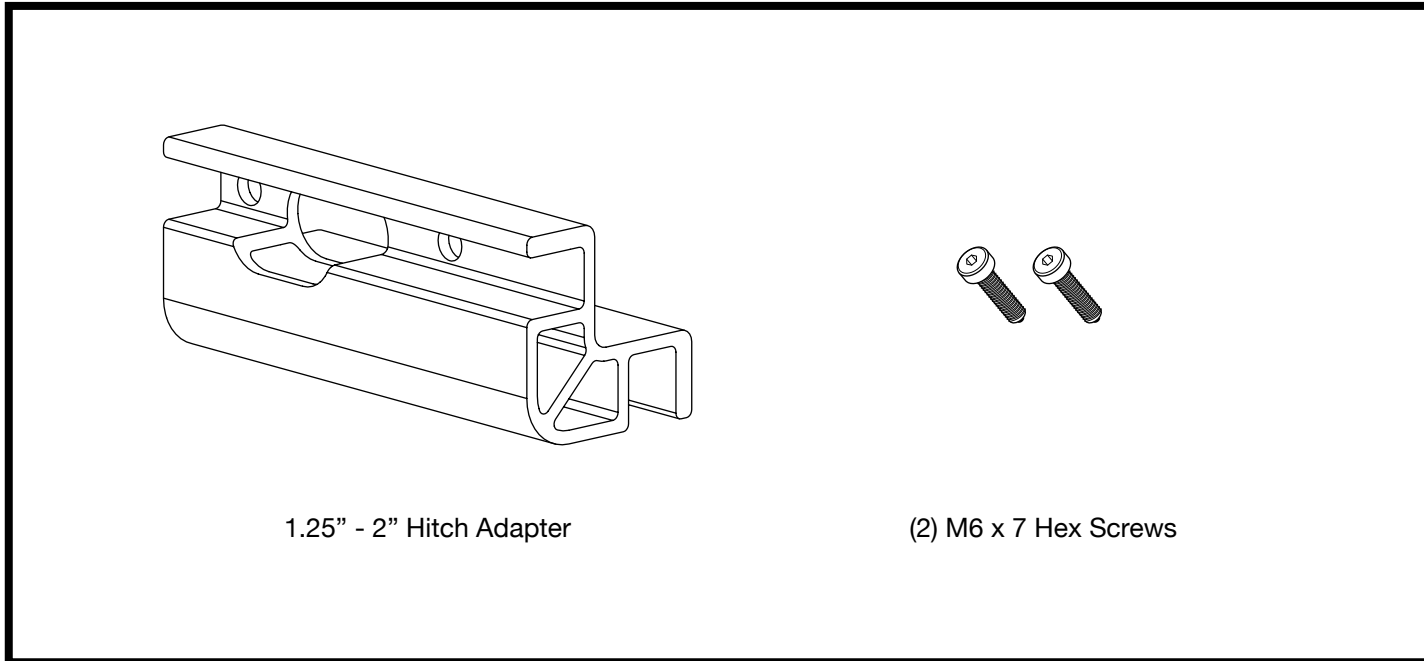
Periodically check bolt tightness.

kuat

kuat.com | 417.889.5820

1.25" - 2" Hitch Adapter

Included



1.25" - 2" Hitch Adapter

(2) M6 x 7 Hex Screws

This product is covered by our “No Worries Limited Warranty”

kuat.com | info@kuat.com | [877.822.5828](tel:877.822.5828)