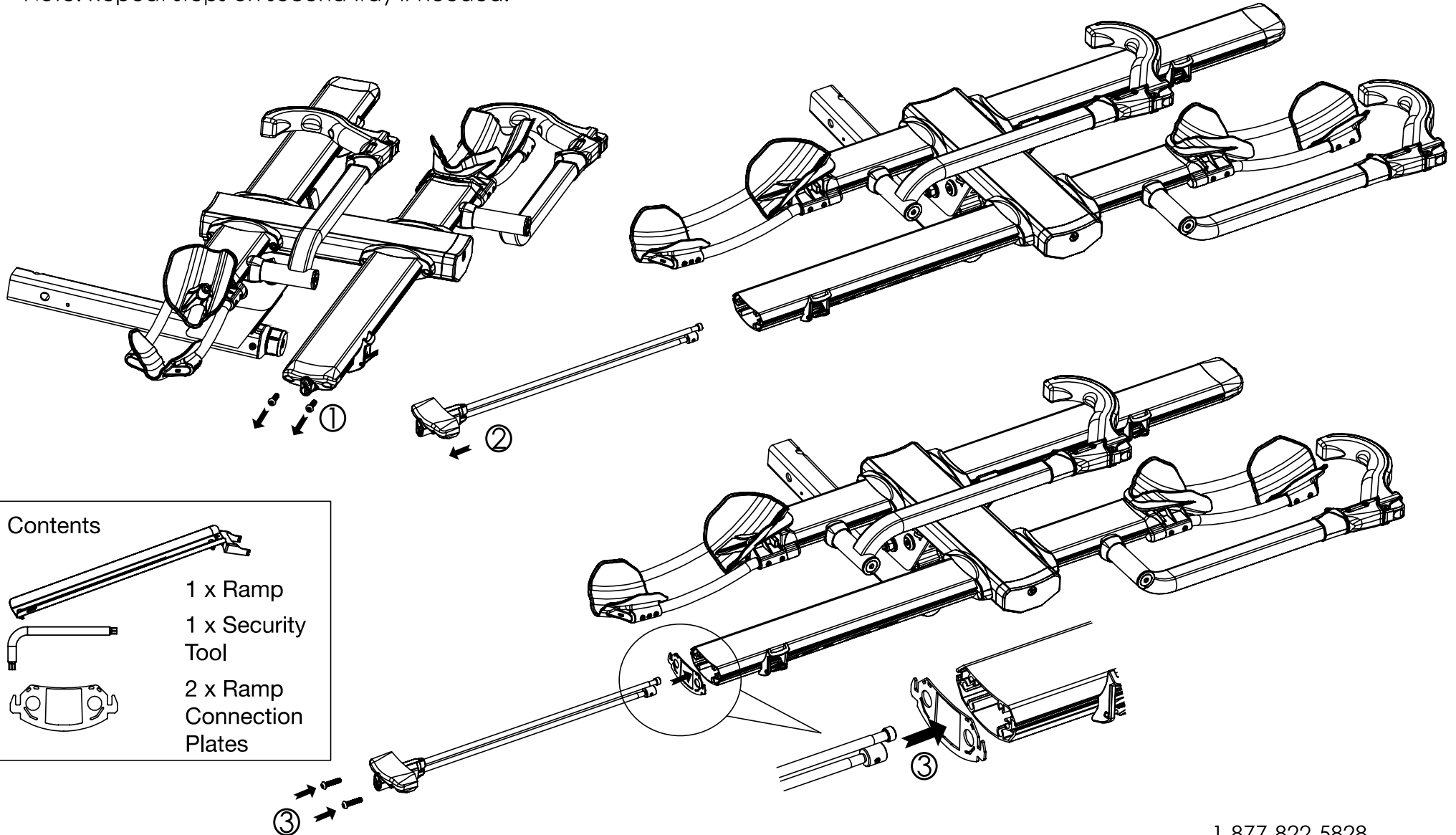


1. Remove two m8 security bolts from the tray end cap. Security bolts may be difficult to remove. If you are having trouble please visit a local Kuat dealer.
2. Slide the end cap and lock assembly out of the tray.
3. Place ramp connection plate between the tray and end cap. Slide the lock assembly through the plate and re-intall the two m8 security bolts.

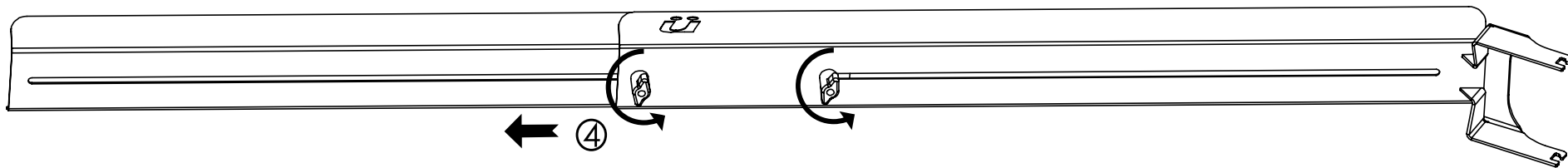
Note: Repeat steps on second tray if needed.



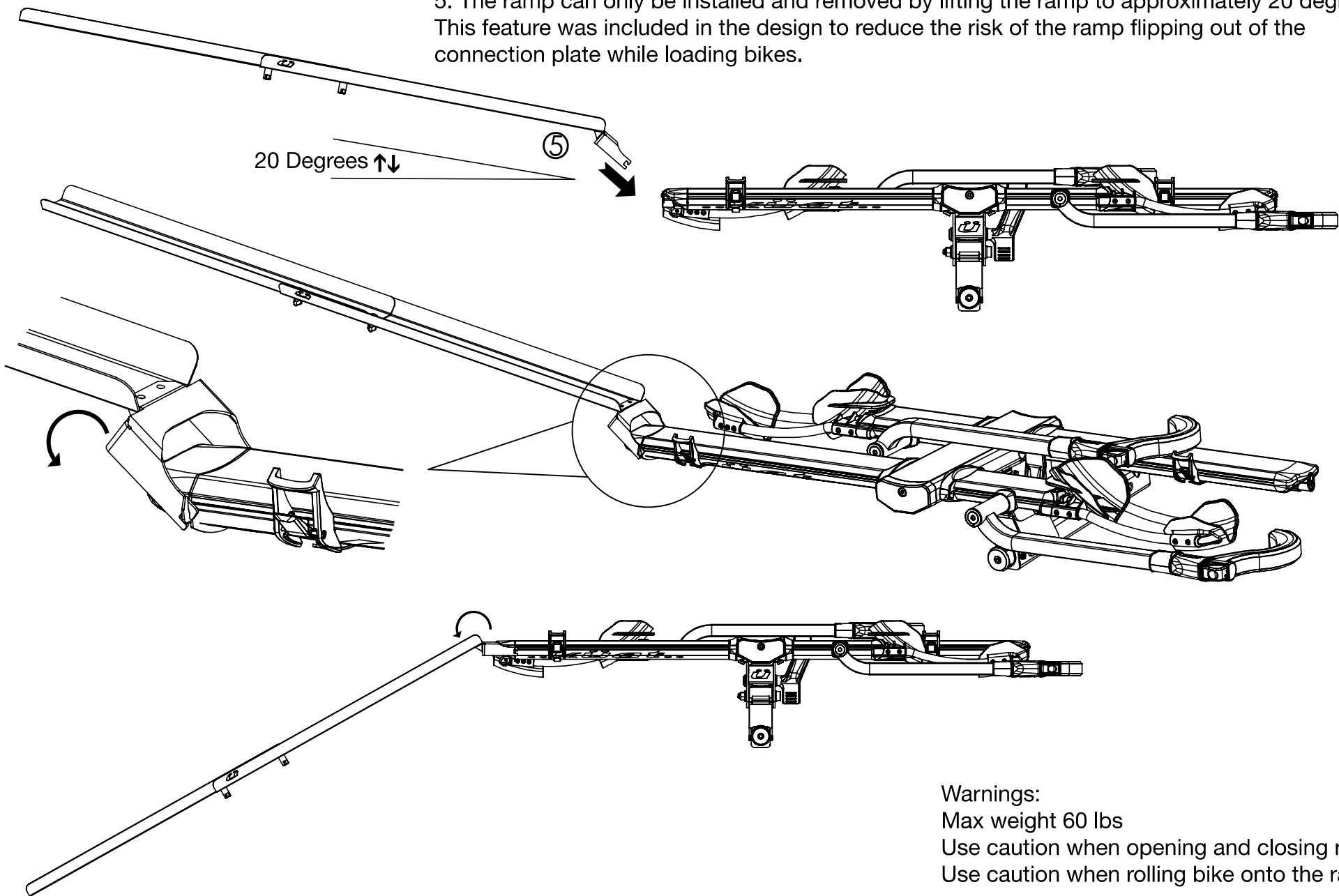
Contents

- 1 x Ramp
- 1 x Security Tool
- 2 x Ramp Connection Plates

4. Loosen wing knobs and expand tray to desired length.



5. The ramp can only be installed and removed by lifting the ramp to approximately 20 degrees. This feature was included in the design to reduce the risk of the ramp flipping out of the connection plate while loading bikes.



Warnings:
Max weight 60 lbs
Use caution when opening and closing ramp
Use caution when rolling bike onto the ramp