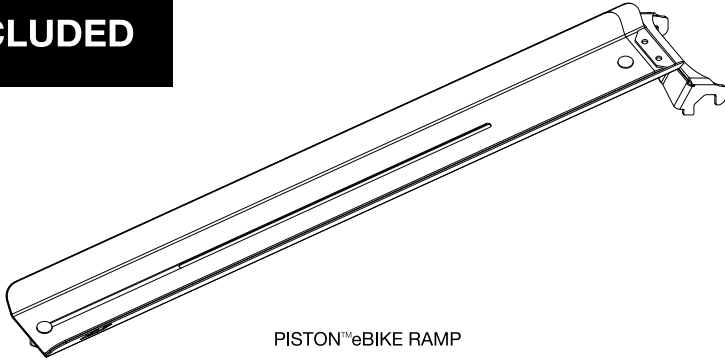


PISTON™
eBIKE RAMP

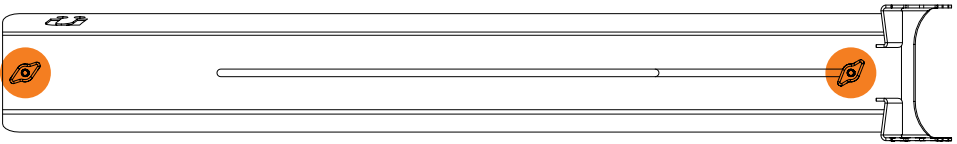
USER GUIDE

INCLUDED



eBike Ramp Operation and Installation

- 1 Loosen wing knobs and expand tray to desired length.



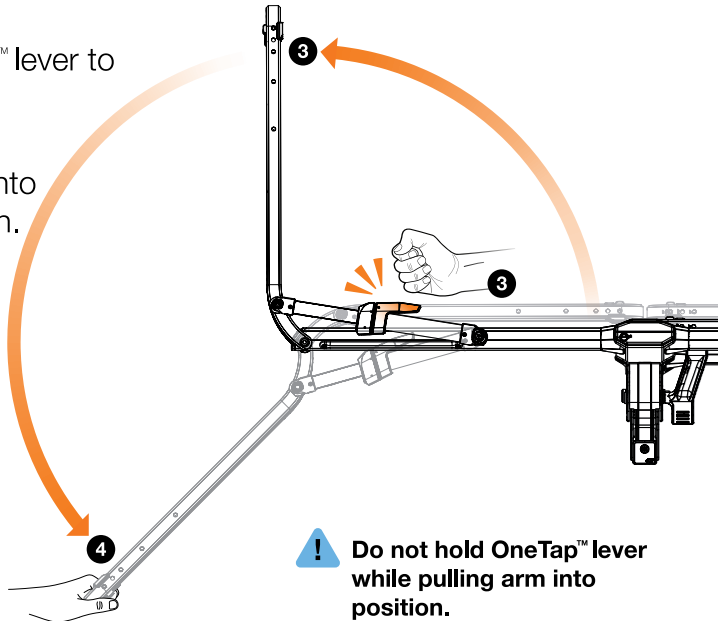
- 2 Re-tighten knobs.



The Piston™ OneTap™ system allows users to rotate tire arms into a negative position for the installation of your eBike Ramp.

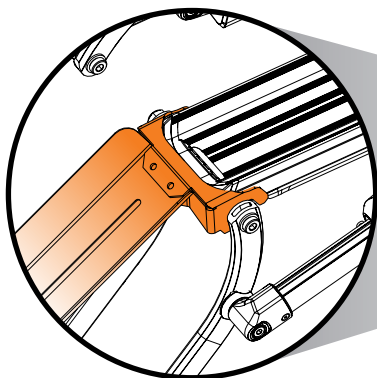
- 3 Tap the OneTap™ lever to release tire arm.

- 4 Pull arm down into negative position.

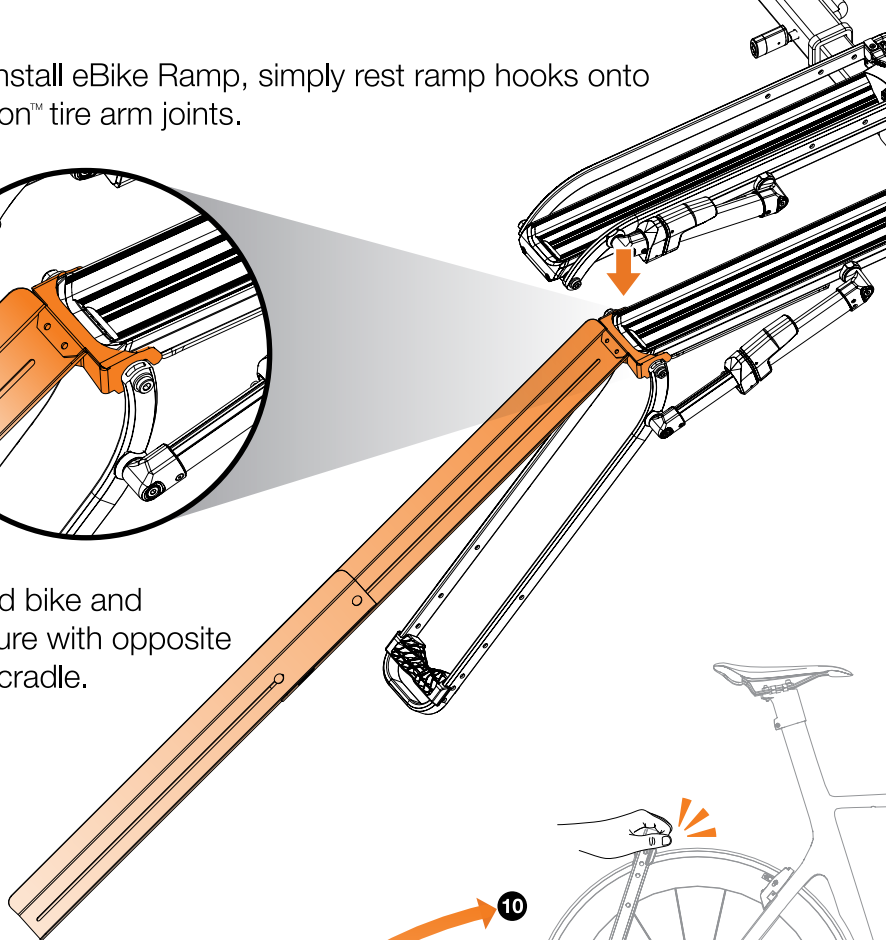


! Do not hold OneTap™ lever while pulling arm into position.

- 6 To install eBike Ramp, simply rest ramp hooks onto Piston™ tire arm joints.



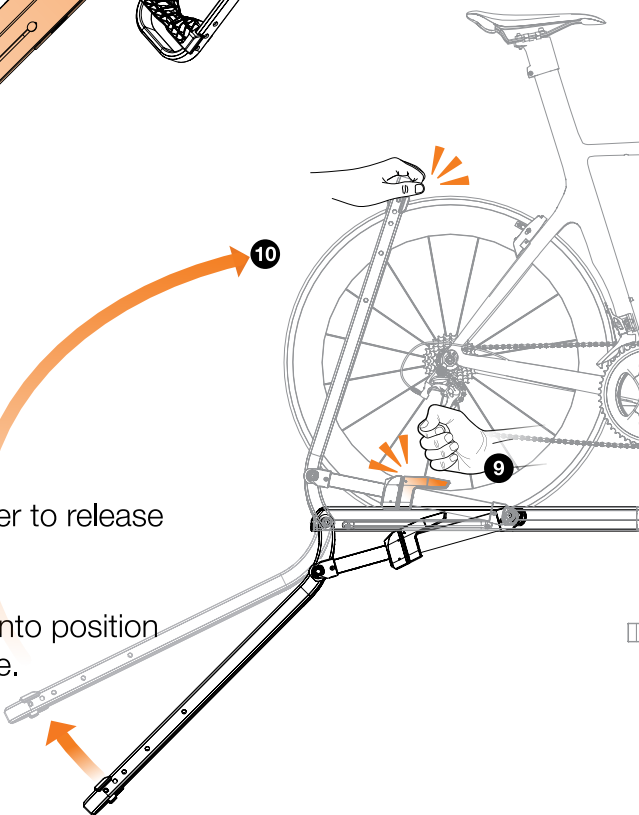
- 7 Load bike and secure with opposite tire cradle.



- 8 Remove eBike Ramp.

- 9 Tap each OneTap™ lever to release ratchet tension.

- 10 Pull tire arm back up into position and secure against tire.



! Do not hold OneTap™ lever while pulling arm into position.

Warnings

PISTON™

eBIKE RAMP

Maximum Bike Weight

65 lb
29.5 kg

WARNINGS

- Follow instructions for proper assembly, installation and use.
- Check tightness of all bolts and screws periodically.

If you have questions or problems, please contact Küat Racks directly by calling toll free 1(877)822-KUAT, or by email: info@kuat.com

ADVERTENCIAS

- Siga las instrucciones para un montaje, instalación y uso adecuados.
- Compruebe periódicamente la estanqueidad de todos los pernos y tornillos.

AVERTISSEMENTS

- Suivez les instructions pour un assemblage, une installation et une utilisation appropriés.
- Vérifiez régulièrement le serrage de tous les boulons et vis.

kuat®

1.877.822.5828

info@kuat.com

kuat.com