

PISTON[®]

FENDER KIT

ASSEMBLY



ASSEMBLY VIDEO

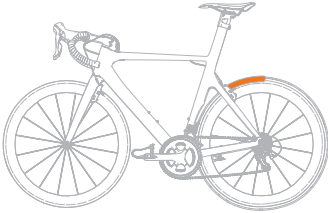
Parts



(2) Fender Kit Strap

FENDER KIT FIT GUIDE

12:00 Fender

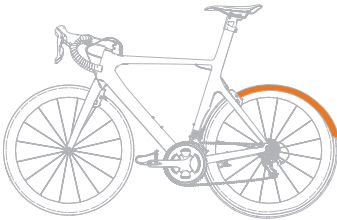


No Fender Kit

Wheelbase: Normal

Tire Check: Normal

12:00 - 3:00 Fender



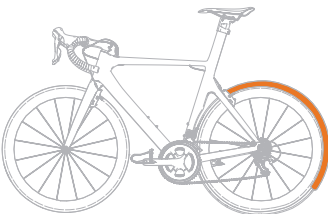
Fender Kit

Wheelbase: 45in Max

47in Max if tire width is less than 2"

Tire Check: Use the highest position possible that doesn't hit the fender.

Past 3:00 Fender

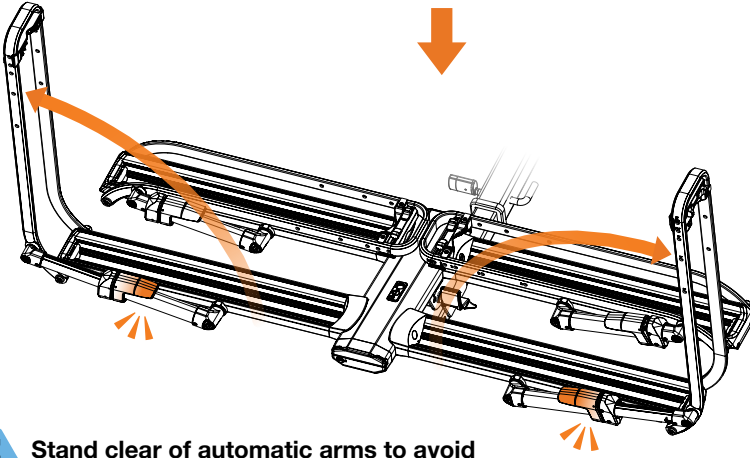
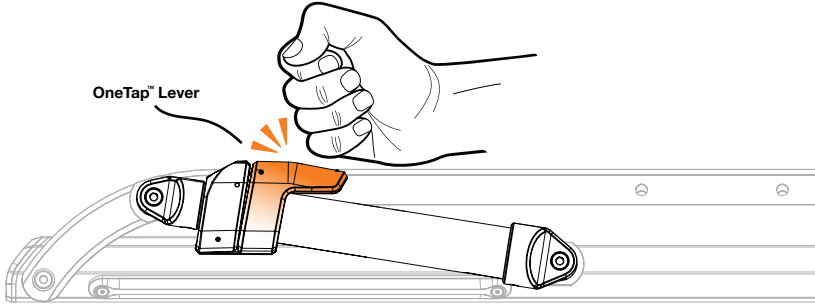


NO RACK FIT

OneTap™ Operation

- 1 Open each arm by tapping the OneTap™ levers. Stand back and watch! Each arm will fully open automatically.

! Do not hold the levers while operating.

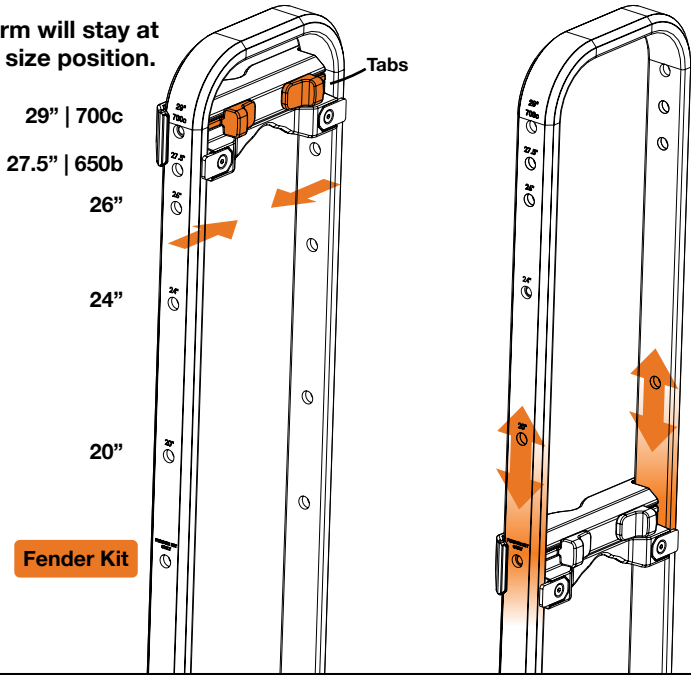


! Stand clear of automatic arms to avoid impact.

Setup & Loading

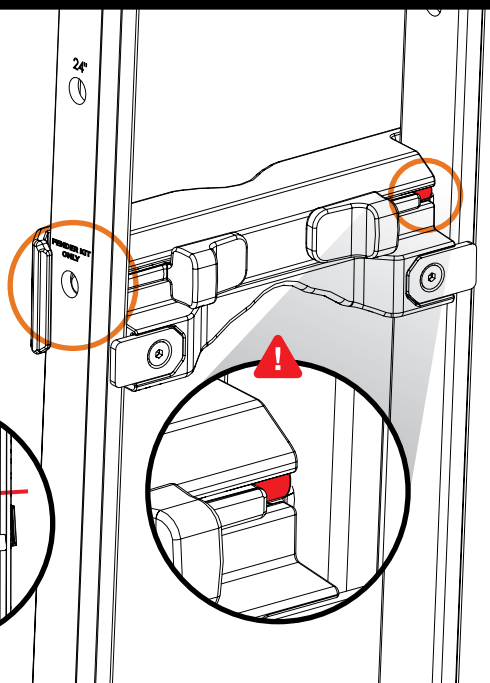
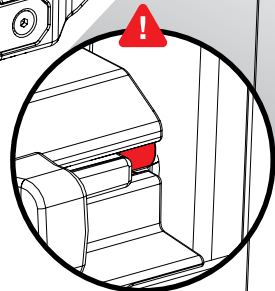
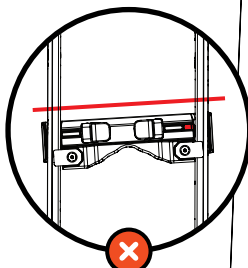
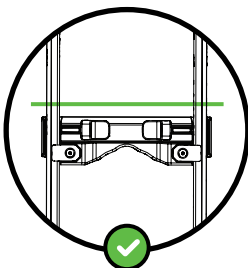
- 1 Push tabs inward and slide tire cradle down into holes marked Fender Kit Only for rear tire.

! Front tire arm will stay at normal tire size position.

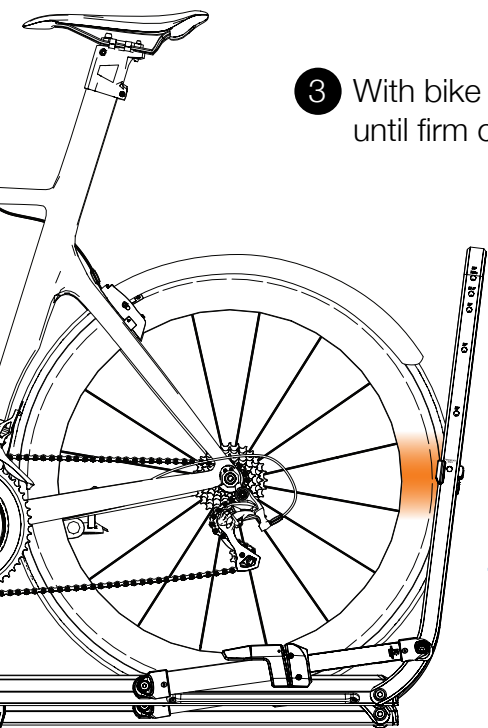


- 2 Visually ensure tabs are fully secured in notches. Misaligned tabs or tabs not fully secured will show a red warning indicator.

! Failure to secure both tabs may result in bikes becoming loose and falling during travel.

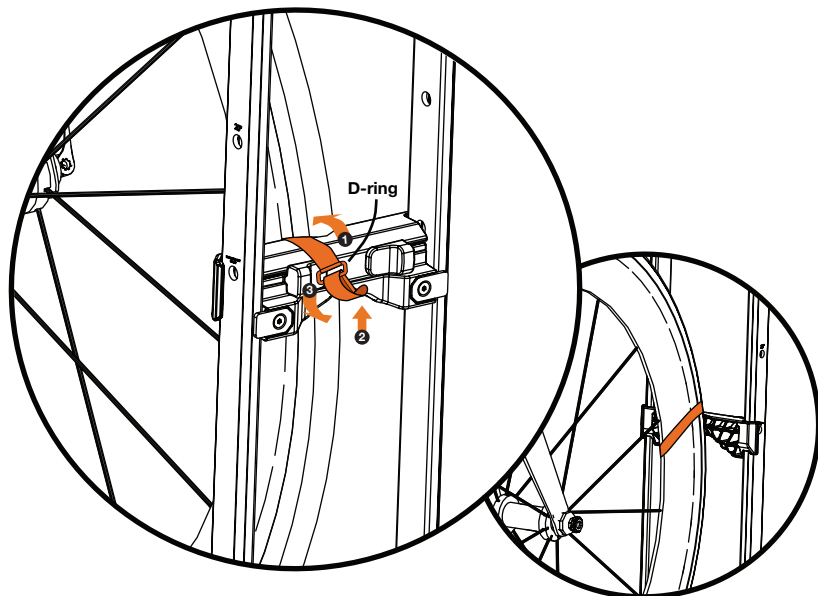


- 3 With bike in position, close arms onto tires until firm contact is made with cradles.

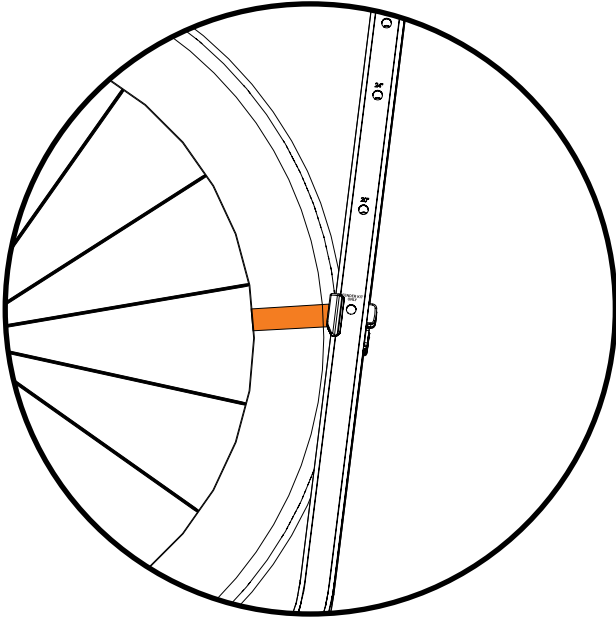


! Ensure tire cradles make contact with tires. Insufficient contact could result in bicycles becoming loose during travel. Each arm requires at least 1 click of engagement to ensure safe transport.

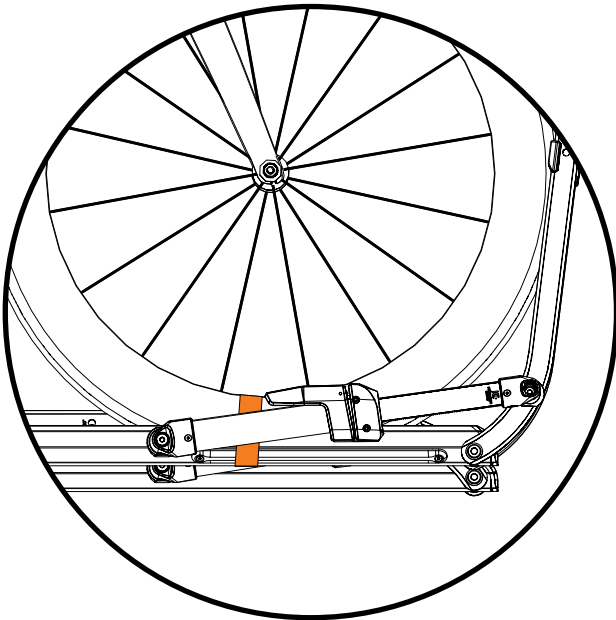
- 4 Position D-ring against outside of tire cradle, with the self-securing hook and loop side facing outward. Wrap strap around tire, thread through D-ring and pull back over, securing against the self-securing hook and loop side.



- 5 Secure rear wheel with Fender Kit hook and loop straps.



- 6 Repeat steps 4 and 5 around bottom wheel and tray.



Warnings

PISTON®

FENDER KIT

WARNINGS

- Follow instructions for proper assembly, installation and use.
- Do not carry bicycles with fenders or cargo racks without using the Piston® Fender Kit.
- Drive responsibly.

If you have questions or problems, please contact Küat directly by calling toll free 1(877)822-KUAT, or by email: info@kuat.com

ADVERTENCIAS

- Siga las instrucciones para un montaje, instalación y uso adecuados.
- No transporte bicicletas con guardabarros o rejillas de carga sin usar el kit de guardabarros Piston™.
- Conduzca responsablemente.

AVERTISSEMENTS

- Suivez les instructions pour un assemblage, une installation et une utilisation appropriés.
- Ne transportez pas de bicyclettes avec des garde-boue ou des porte-bagages sans utiliser le kit de garde-boue Piston™.
- Conduisez de manière responsable.

NO WORRIES LIMITED WARRANTY

We stand behind our products, and our customer service reps are waiting to help you out if you have any problems with your product. Our limited warranty covers your purchase for life. You can review our limited warranty on our website or call customer service at the number below if you have questions or need a repair, replacement, refund, or a copy of the limited warranty.

www.kuat.com/warranty

Questions or comments?

Drop us an email or call us directly!

kuat.com | info@kuat.com | [877.822.5828](tel:877.822.5828)

kuat[®]

1.877.822.5828

info@kuat.com

kuat.com