

**PISTON<sup>®</sup>**

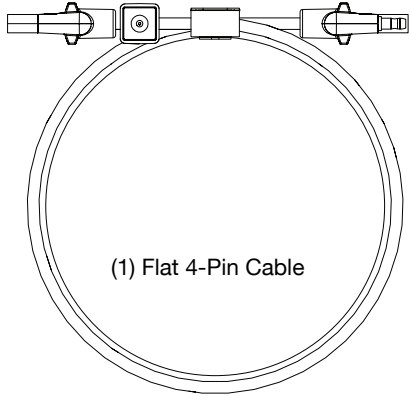
**LED EXTENSION KIT**

ASSEMBLY

# Parts



(4) Magnetic Cable Clips



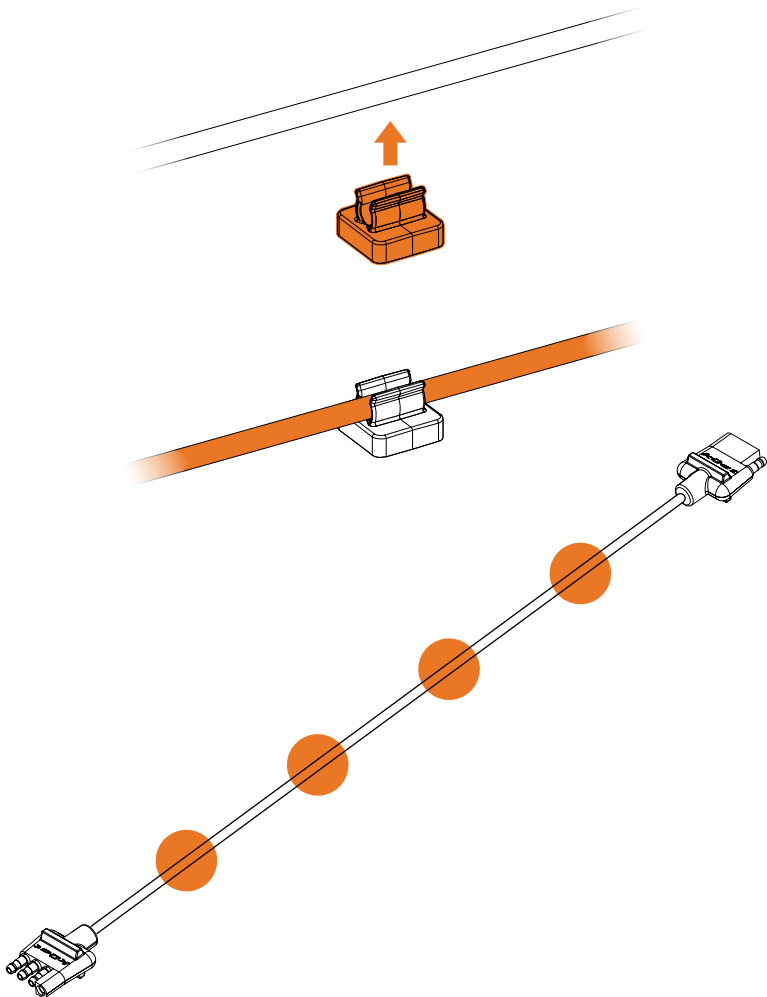
(1) Flat 4-Pin Cable

# Magnet Installation

1 Locate **Flat 4-Pin Cable** and (4) **Magnetic Clips** in your provided parts bag.

2 Place magnets along cable in even increments.

! **Don't sweat it! Magnet position can be adjusted later for a better fit.**

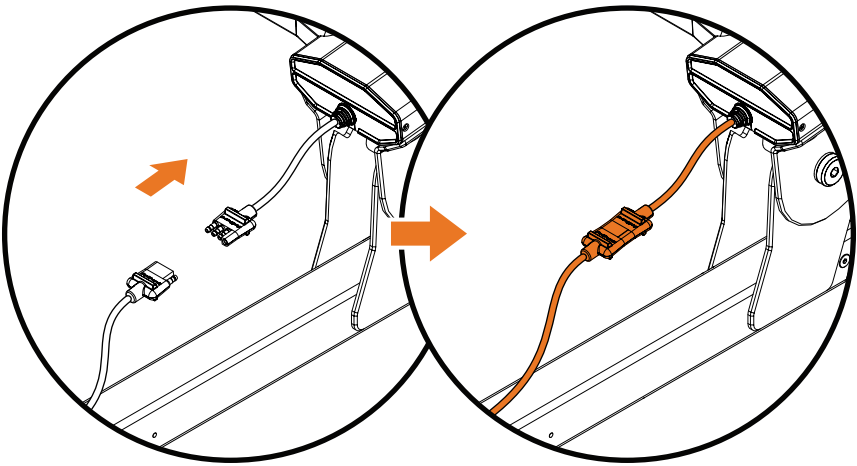


# LED Light Installation

1 Plug flat 4-pin into trailer light socket on your vehicle.

! **Your trailer light socket may differ from the model shown - an adapter may be required.**

2 Plug vehicle flat 4-pin cable into the flat 4-pin dongle located at the back of the Piston® Pro X centerbeam.



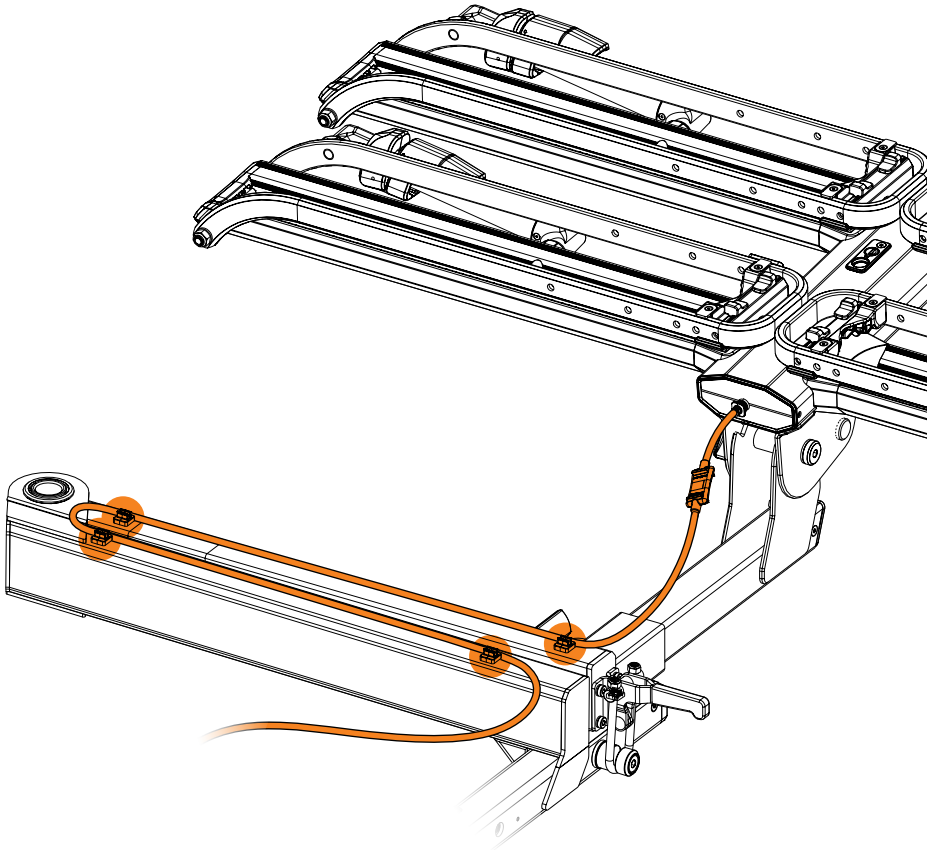
3 Perform a test for LED illumination and brake function as well as left and right blinker operation.

! **LED lights are inspected and tested prior to packaging. Troubleshoot any issues with your vehicle connections or fuses by visiting [kuat.com/piston/led](http://kuat.com/piston/led)**

# Cable Management

- 1 After plugging your LED kit into the Piston® Pro X, snap magnets onto your Pivot™ or Pivot™ v2 into positions shown.

Feel free to adjust magnetic clips up or down the cable to achieve a fit that works best for your setup.



- !** After installation, open and close your Pivot™ to be sure there are no interferences between the rack and the cable.

Warnings

# PISTON<sup>®</sup>

## LED EXTENSION KIT

### WARNINGS

- Follow instructions for proper assembly, installation and use.
- Check tightness of all bolts and screws periodically.
- Make sure rack and vehicle receiver are in working condition before each use.
- Do not take through automatic car wash.
- Drive responsibly.

**If you have questions or problems, please contact Kūat Racks directly by calling toll free 1(877)822-KUAT, or by email: [info@kuat.com](mailto:info@kuat.com)**

### ADVERTENCIAS

- Siga las instrucciones para un montaje, instalación y uso adecuados.
- Compruebe periódicamente la estanqueidad de todos los pernos y tornillos.
- Asegúrese de que el estante y el receptor del vehículo estén en buena condición antes de cada uso.
- No usar en el lavado automático de automóviles.
- Conduzca responsablemente.

### AVERTISSEMENTS

- Suivez les instructions pour un assemblage, une installation et une utilisation appropriés.
- Vérifiez régulièrement le serrage de tous les boulons et vis.
- Assurez-vous que le support et le récepteur du véhicule sont en état de marche avant chaque utilisation.
- Ne passez pas au lave-auto automatique.
- Conduisez de manière responsable.

# LIMITED WARRANTY

We stand behind our products, and our customer service reps are waiting to help you out if you have any problems with your product. Our limited warranty covers your purchase for life. You can review our limited warranty on our website or call customer service at the number below if you have questions or need a repair, replacement, refund, or a copy of the limited warranty.

**[www.kuat.com/warranty](http://www.kuat.com/warranty)**

## **Questions or comments?**

Drop us an email or call us directly!

**[kuat.com](http://kuat.com) | [info@kuat.com](mailto:info@kuat.com) | [877.822.5828](tel:877.822.5828)**

***kuat***<sup>®</sup>

1.877.822.5828  
info@kuat.com  
kuat.com