

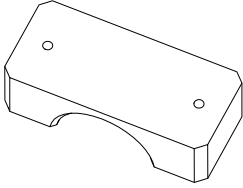
PISTON[®] SR

2" ROUND BAR MOUNT

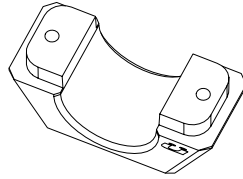


ASSEMBLY VIDEO

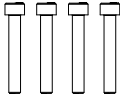
Parts



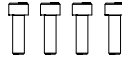
(2) Upper Bracket



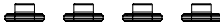
(2) Lower Bracket



(4) M6 x 40mm



(4) M6 x 20mm



(4) T-Channel Nut

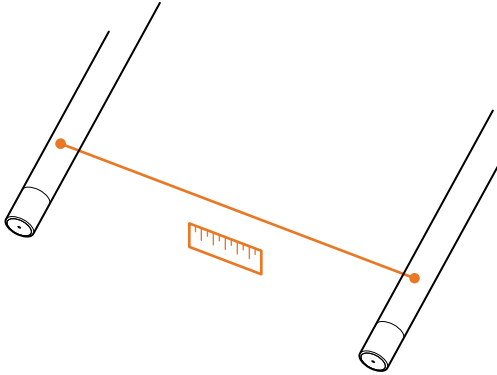
Tools



5mm Hex Key

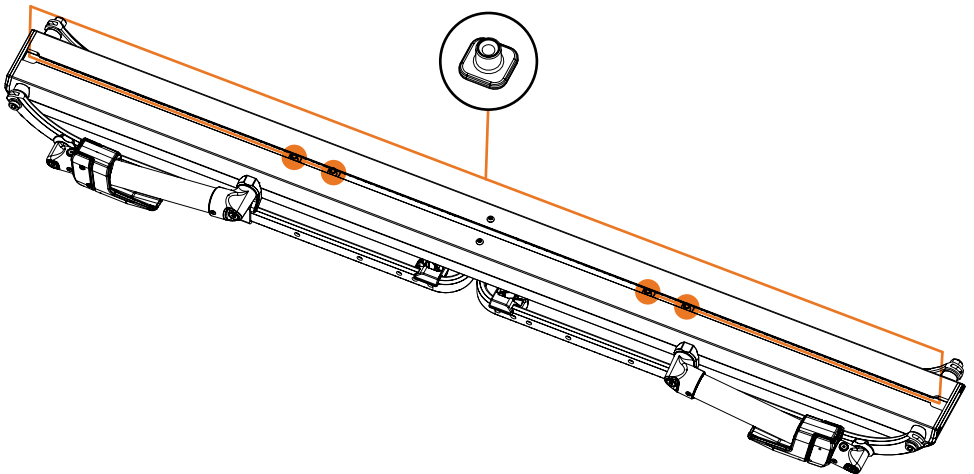
Installation

- 1 Measure the distance from the center of one round bar to the center of another, referred to as the center-to-center distance.

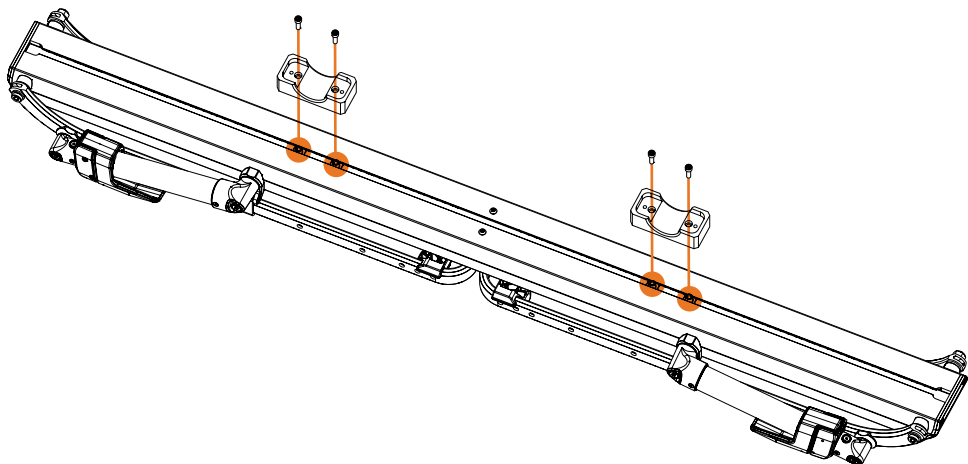


- 2 Turn your PISTON® SR over and securely place (4) T-Channel nuts within the middle channel slot. Align two T-Channel nuts on the left and two on the right based on the previously measured distance between the round bars.

Ensure these T-Channel nuts are positioned on either side of the round bars.



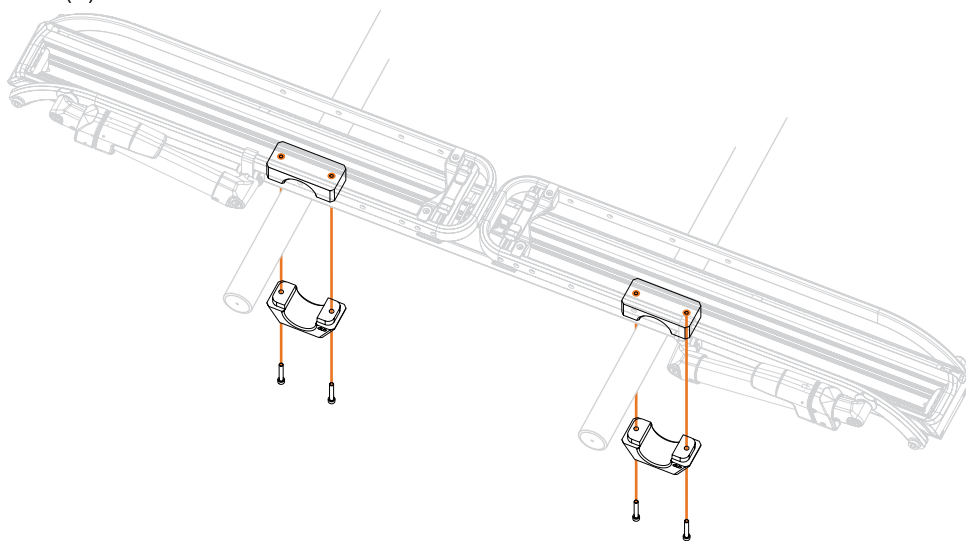
- 3 Attach the Upper Brackets to the T-Channel bolts by using (4) M6 x 20mm bolts along with the supplied 5mm Hex Key. To facilitate the installation process, do not fully tighten the bolts at this stage.



- 4 Position the PISTON® SR onto the round bars, making any necessary adjustments to the Upper Brackets. Fully secure the Upper Brackets using the supplied 5mm Hex Key.

! Confirm that the PISTON® SR is aligned on the round bars.

Install Lower Brackets into Upper Brackets by using the (4) M6x40mm bolts.



Küat® Rack Warnings

PISTON® SR

2" ROUND BAR MOUNT

Number Of Bikes

1

Weight Per Bike

67 lb
30.4kg

Max Wheelbase

53 in
1346mm

Max Tire Width

5 in
127mm

WARNINGS

- Follow instructions for proper assembly, installation and use.
- Check tightness of all bolts and screws periodically.
- Make sure rack is in working condition before each use.
- Do not use bicycle fenders or cargo racks with this product without PISTON® Fender Kit.
- Do not exceed the bicycle or weight limits intended for this rack.
- Do not use rack off road (rough, washed out, boulder-and-rut-strewn backroads).
-Smooth gravel roads are not considered off-road.
- Do not use tarps, rain covers or wind covers with this product.
- Do not take through automatic car wash.
- Do not mount the PISTON® SR vertically.
- Only use this product to mount a PISTON® SR on a 2" round bar.
The product is not intended for mounting other items.
- Drive responsibly.

If you have questions or problems, please contact Küat Racks directly by calling toll free 1(877)822-KUAT, or by email: info@kuat.com

ADVERTENCIAS

- Siga las instrucciones para un montaje, instalación y uso adecuados.
- Verifique periódicamente el apriete de todos los pernos y tornillos.
- Asegúrese de que la parrilla esté en condiciones de funcionar antes de cada uso.
- No use guardabarros de bicicleta o soportes de carga con este producto sin el kit de guardabarros PISTON®.
- No exceda los límites de bicicleta o peso previstos para este portabicicletas.
- No utilice la rejilla fuera de la carretera (carreteras secundarias irregulares, arrasadas, llenas de cantos rodados y surcos).
-Los caminos de ripio liso no se consideran fuera de la carretera.
- No use lonas, cubiertas para la lluvia o cubiertas contra el viento con este producto.
- No pase por lavado automático de autos.
- No monte el PISTON® SR verticalmente.
- Utilice este producto únicamente para montar un Piston® SR en una barra redonda de 2".
El producto no está diseñado para montar otros elementos.
- Conduzca con responsabilidad.

AVERTISSEMENTS

- Suivez les instructions pour un assemblage, une installation et une utilisation appropriés.
- Vérifiez périodiquement le serrage de tous les boulons et vis.
- Assurez-vous que le rack est en bon état de fonctionnement avant chaque utilisation.
- N'utilisez pas de garde-boue ou de porte-bagages avec ce produit sans le kit de garde-boue PISTON®.
- Ne dépassez pas les limites de vélo ou de poids prévues pour ce porte-bagages.
- N'utilisez pas de crémaillère hors route (routes secondaires accidentées, délavées, parsemées de rochers et d'ornières).
-Les routes en gravier lisse ne sont pas considérées comme hors route.
- N'utilisez pas de bâches, de housses de pluie ou de housses contre le vent avec ce produit.
- Ne passez pas dans un lav e-auto automatique.
- Ne montez pas le PISTON® SR verticalement.
- Utilisez ce produit uniquement pour monter un Piston® SR sur une barre ronde de 2".
Le produit n'est pas destiné au montage d'autres éléments.
- Conduisez de façon responsable.

NO WORRIES LIMITED WARRANTY

We stand behind our products, and our customer service reps are waiting to help you out if you have any problems with your product. Our limited warranty covers your purchase for life. You can review our limited warranty on our website or call customer service at the number below if you have questions or need a repair, replacement, refund, or a copy of the limited warranty.

www.kuat.com/warranty

Questions or comments?

Drop us an email or call us directly!

kuat.com | info@kuat.com | [877.822.5828](tel:877.822.5828)

kuat[®]

1.877.822.5828

info@kuat.com

kuat.com