

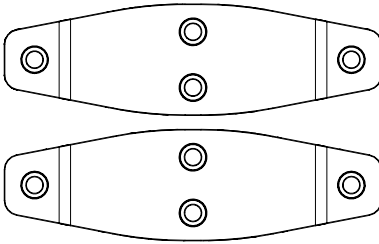
# PISTON® SR

INSTALLATION



ASSEMBLY VIDEO

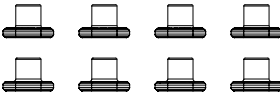
# Parts



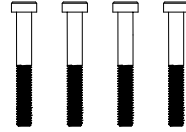
(2) Crossbar Bracket



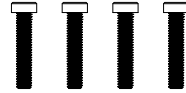
(4) 24.25mm T-Channel Nut



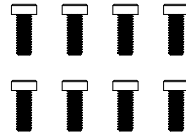
(8) 9.25mm T-Channel Nut



(4) M6 x 45mm Security Bolt

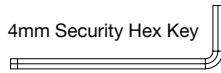


(4) M6 x 30mm Security Bolt

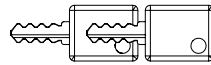


(8) M6 x 15mm Security Bolt

# Tools



4mm Security Hex Key



(2) Key

**25" - 51"**

Min / Max Crossbar Distance

**4.5"**

Max Crossbar Width



**.375" | 1.75"**

Min / Max Crossbar Thickness

**PISTON® SR can fit 1.75" - 2.5" crossbars with available accessory kit**  
Visit [shop.kuat.com/HD-Cross-Bar-Hardware-Kuat-Racks](http://shop.kuat.com/HD-Cross-Bar-Hardware-Kuat-Racks) or call 417.889.5820

# Universal Mount Installation

- 1 Measure the thickness of your crossbar and choose the corresponding T-Channel nuts and M6 bolt lengths using the chart below.



CROSSBAR THICKNESS

**.375 - .95"**

**Long**  
(24.25mm)



**30mm**



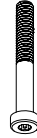
CROSSBAR THICKNESS

**1" - 1.75"**

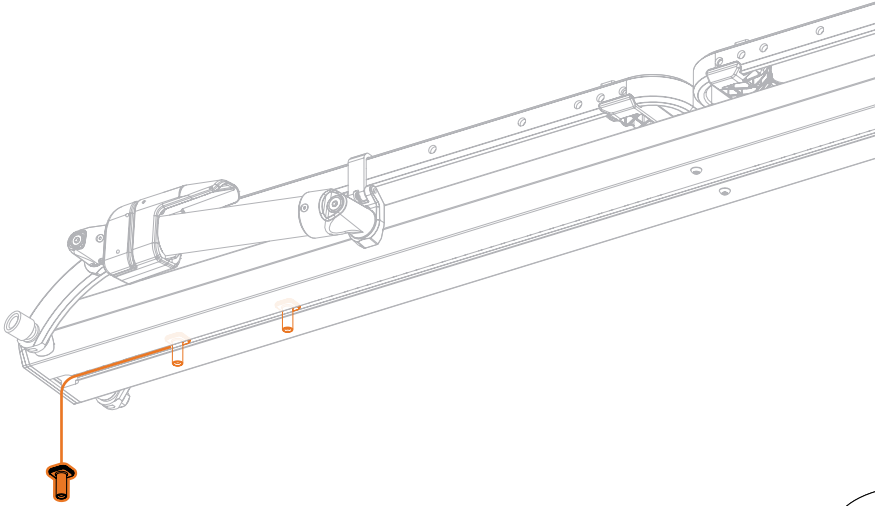
**Long**  
(24.25mm)



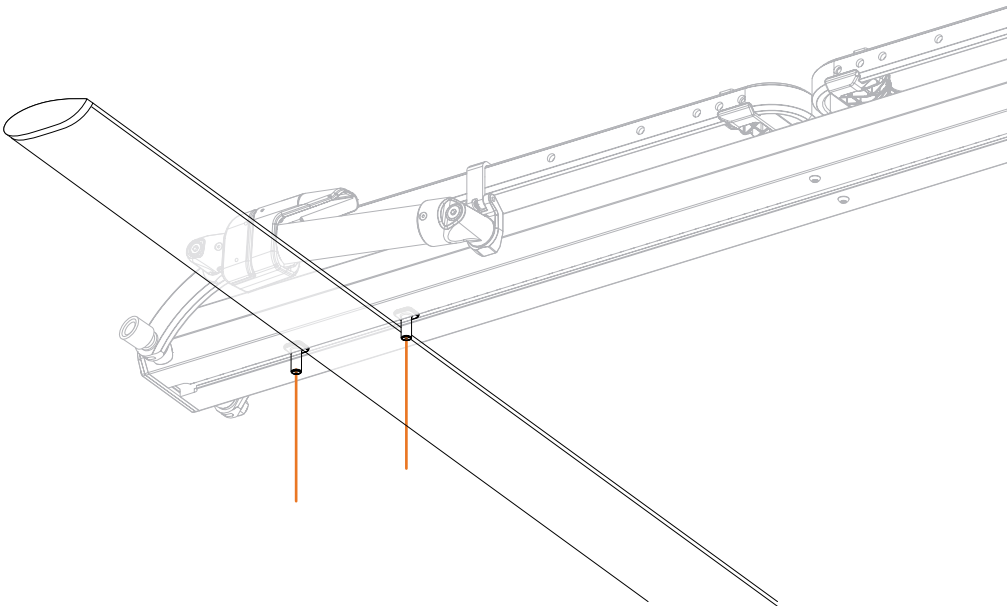
**45mm**



- 2 Insert T-Channel Nuts into T-Channel slot on the underside of your PISTON® SR. Orient (2) T-Channel Nuts in the forward half of the slot, and (2) T-Channel Nuts in the rearward half of the slot.



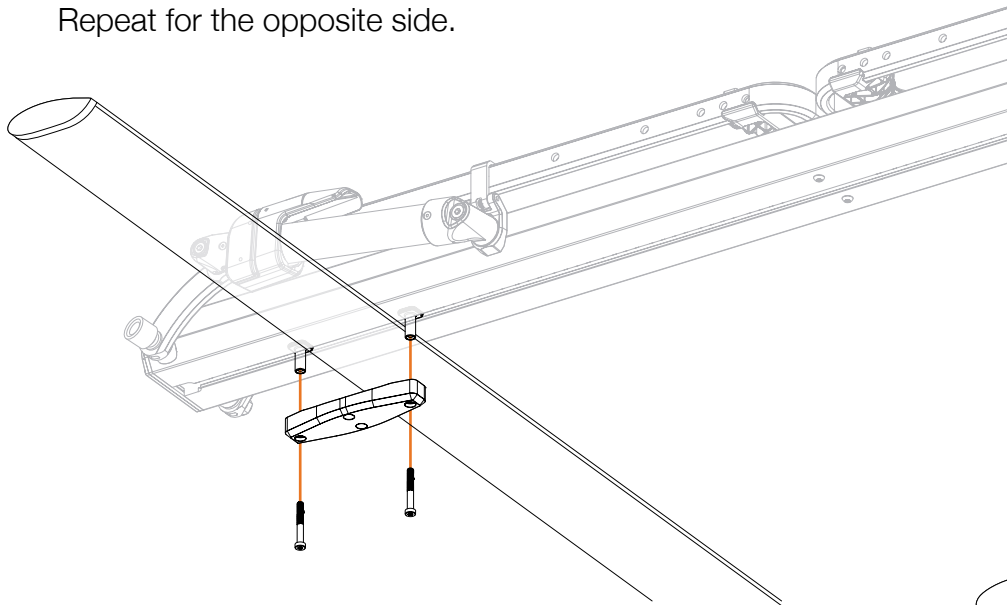
- 3 Lay your PISTON® SR on top of your vehicle crossbars, orienting a T-Channel nut on each side of both crossbars.



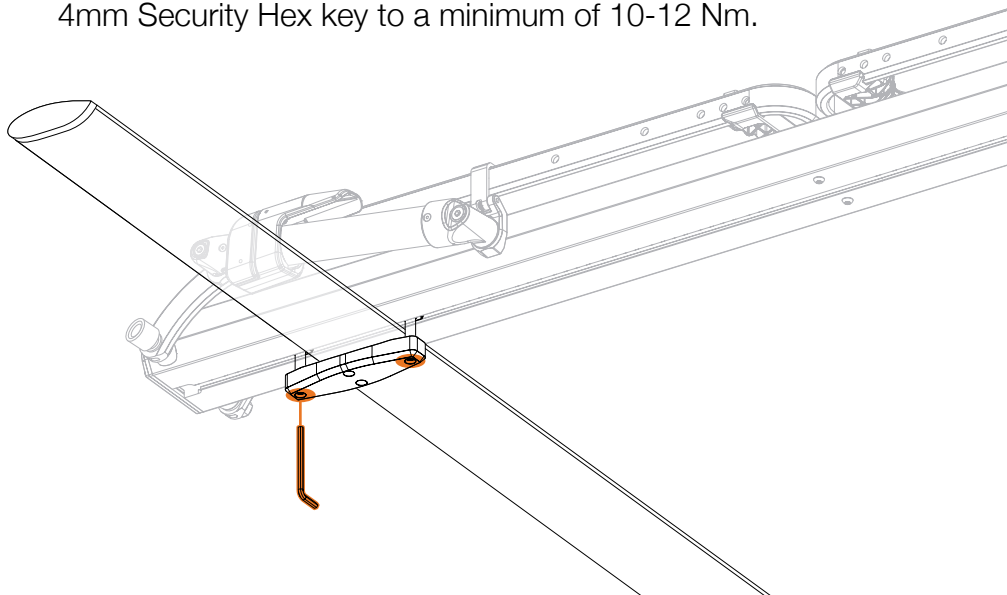


- 4 Align Crossbar Bracket with T-Channel nuts and thread in the appropriate M6 bolt size. To help align the rack, leave these bolts slightly loose.

Repeat for the opposite side.



- 5 With each mount assembled, ensure PISTON® SR is aligned, level and in the desired location. Snug all (4) M6 bolts with the provided 4mm Security Hex key to a minimum of 10-12 Nm.



# Crossbar T-Channel Mount Installation

- 1 The T-Channel Mount installation process utilizes (8) Short T-Channel Nuts and (8) M6 x 15mm bolts.

**Short**  
(9.25mm)

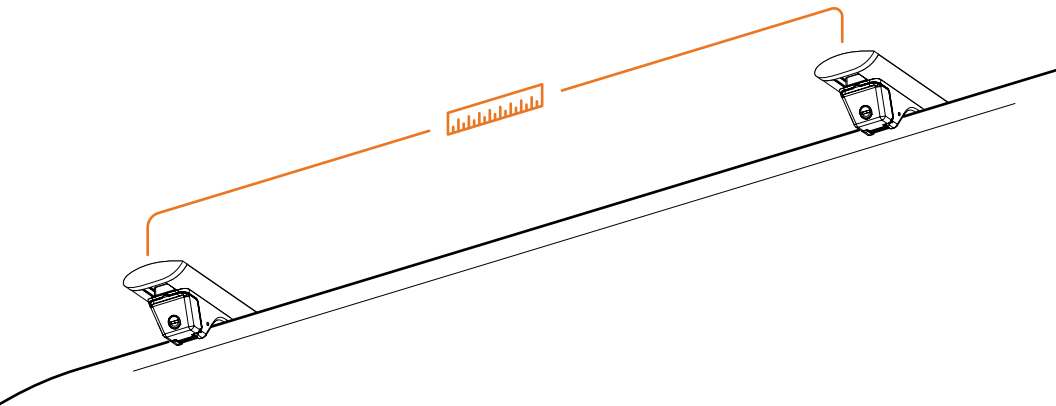


**15mm**



T-CHANNEL MOUNT HARDWARE

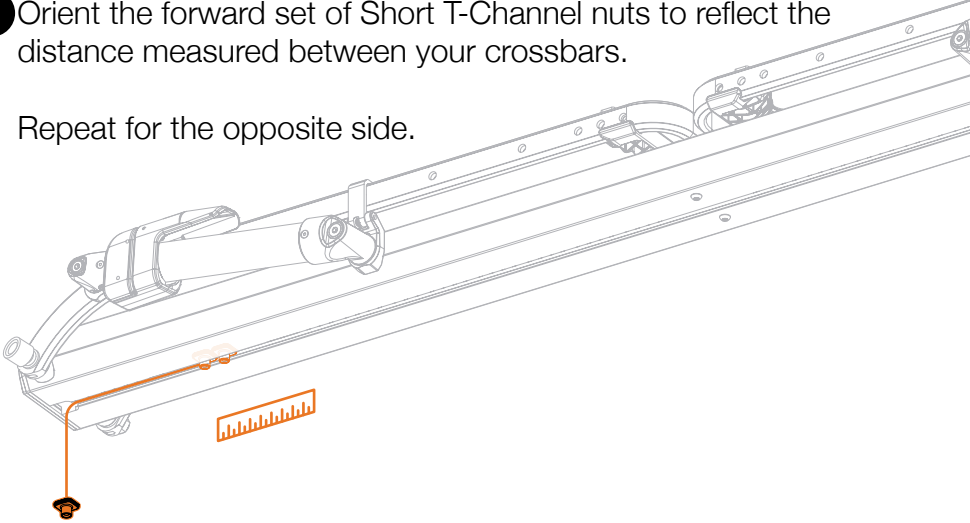
- 2 Measure distance between your T-Channels. For the most accurate measurement, measure from center to center.



- 3 Insert Short T-Channel Nuts into T-Channel slot on the underside of your PISTON® SR. Slide (2) Short T-Channel Nuts in the forward half of the slot, and (2) Short T-Channel Nuts in the rearward half of the slot.

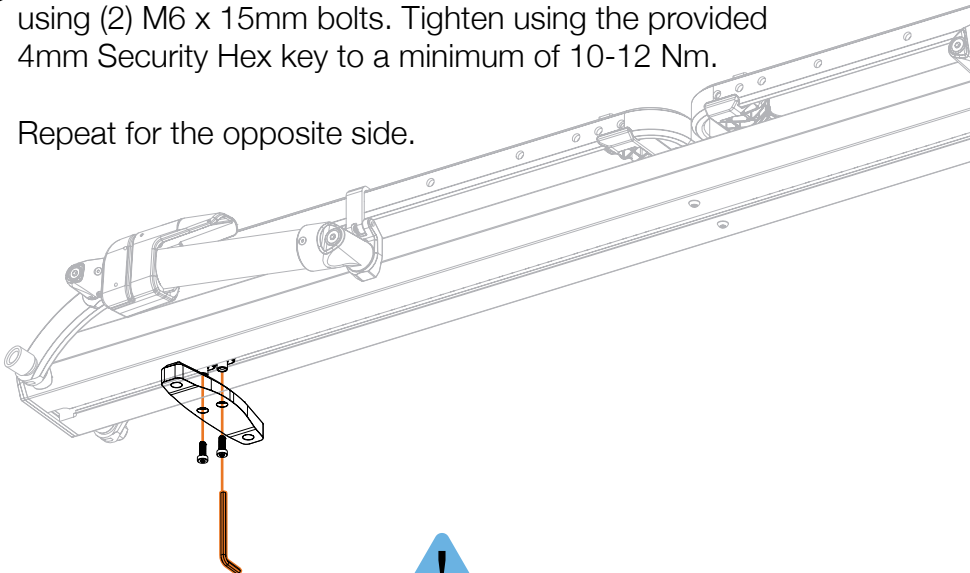
- 4 Orient the forward set of Short T-Channel nuts to reflect the distance measured between your crossbars.

Repeat for the opposite side.



- 5 Align Crossbar Bracket with the Short T-Channel Nuts and secure using (2) M6 x 15mm bolts. Tighten using the provided 4mm Security Hex key to a minimum of 10-12 Nm.

Repeat for the opposite side.

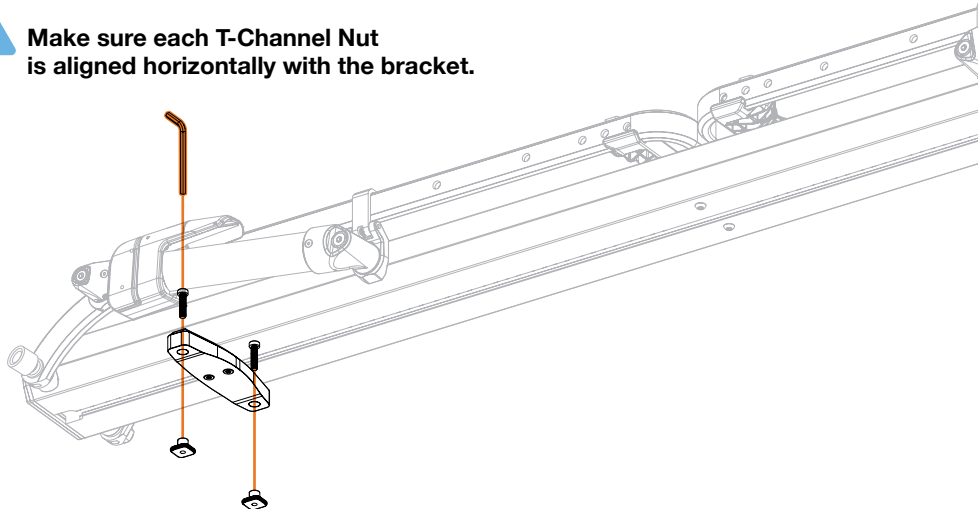


**The use of medium strength thread locker is recommended.**

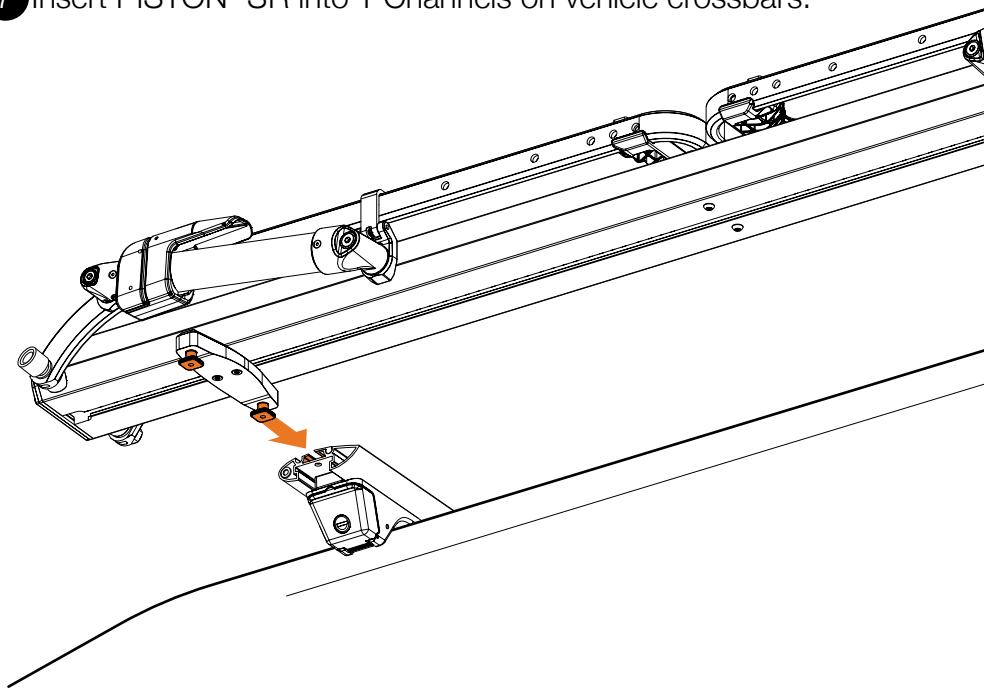
- 6 Thread (1) Short T-Channel Nut and (1) M6 x 15mm bolt through Crossbar Bracket footpad. Leave these bolts loose.

Repeat for the opposite side, on each Crossbar Bracket.

- !** Make sure each T-Channel Nut is aligned horizontally with the bracket.

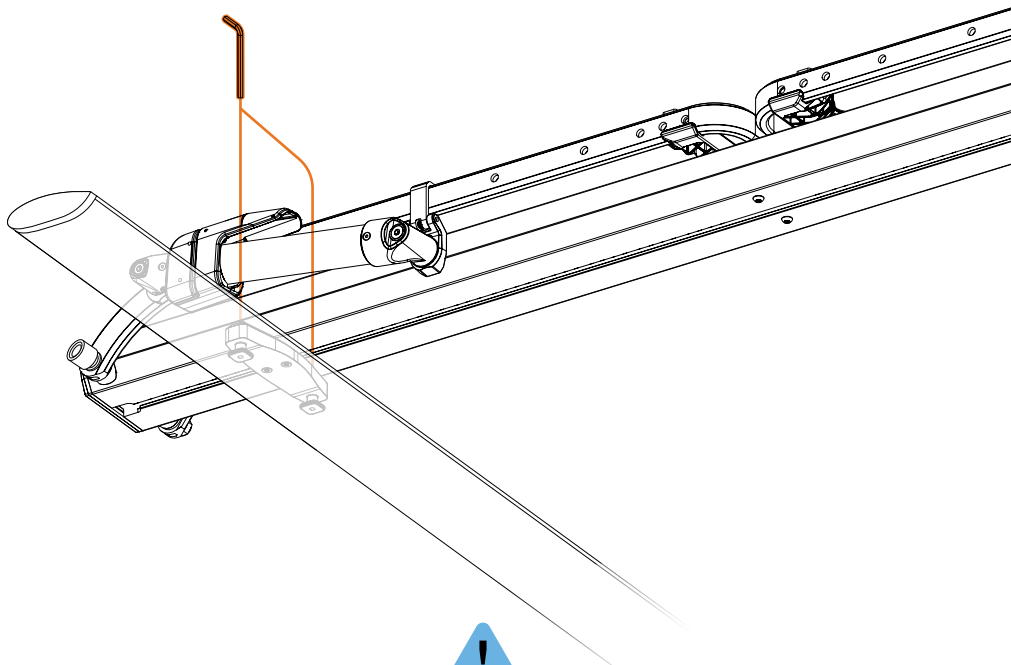


- 7 Insert PISTON® SR into T-Channels on vehicle crossbars.



- 8 Once in the desired location, tighten (2) M6 x 15mm bolts using the provided 4mm Security Hex key to a minimum of 10-12 Nm.

Repeat for the opposite side.



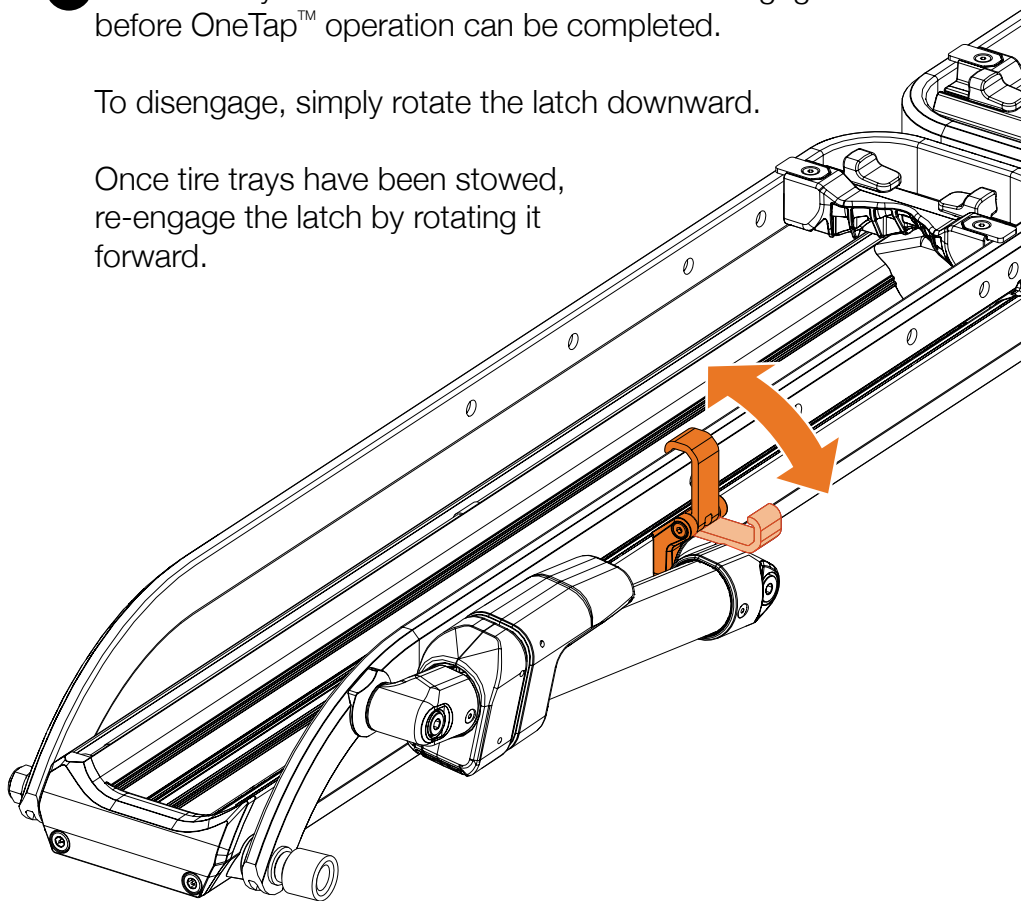
**The use of medium strength thread locker is recommended.**

# Tire Arm Keeper

- 1 Each tire tray features a latch that must be disengaged before OneTap™ operation can be completed.

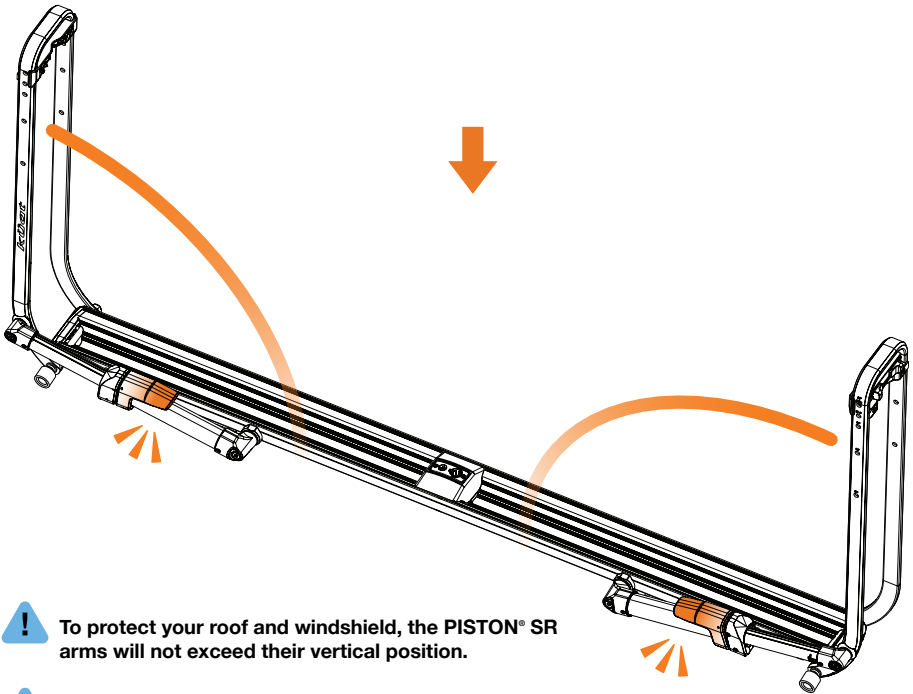
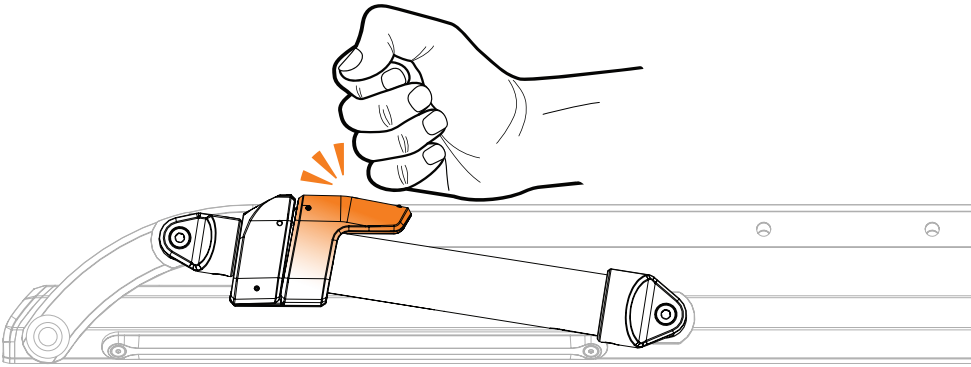
To disengage, simply rotate the latch downward.

Once tire trays have been stowed, re-engage the latch by rotating it forward.



# OneTap™ Operation

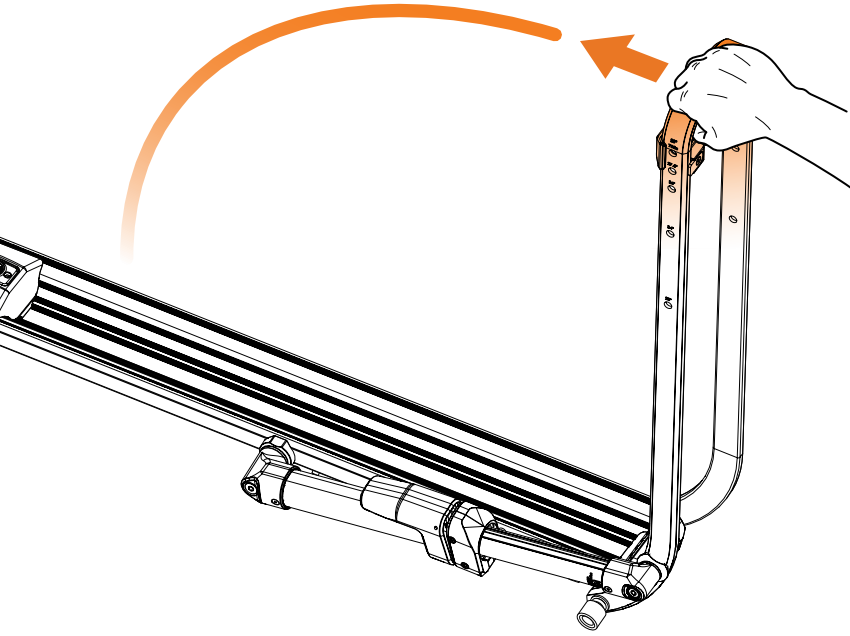
- 1 With Keepers unlatched, open each arm by tapping both OneTap™ Levers. Each arm will fully open automatically; there is no need to hold the levers down while operating.



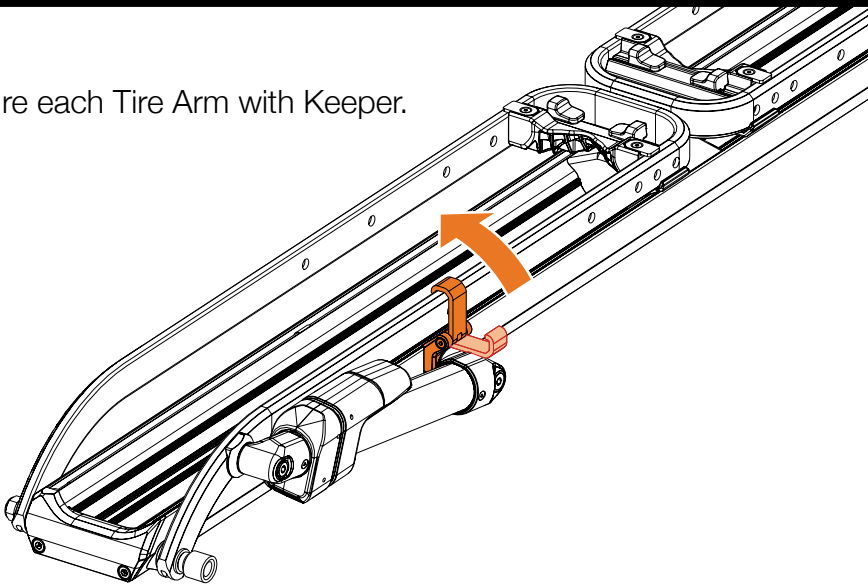
**!** To protect your roof and windshield, the PISTON® SR arms will not exceed their vertical position.

**!** When opening your PISTON® SR OneTap™ arms, ensure there are no obstructions.

- 2 To close, simply push arms back down into stowed position. There is no need to re-engage the OneTap™ lever.

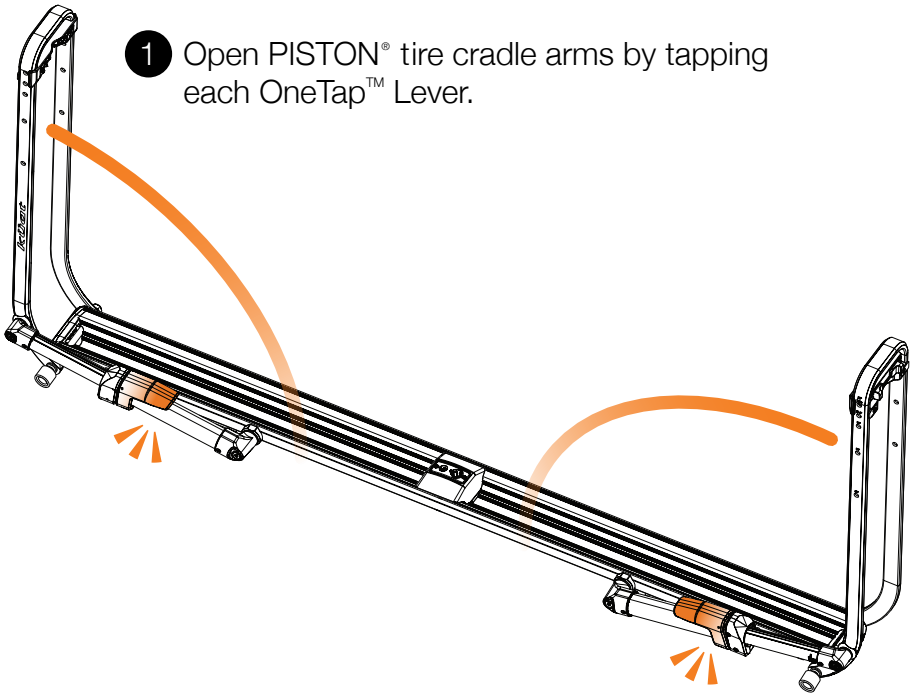


- 3 Secure each Tire Arm with Keeper.

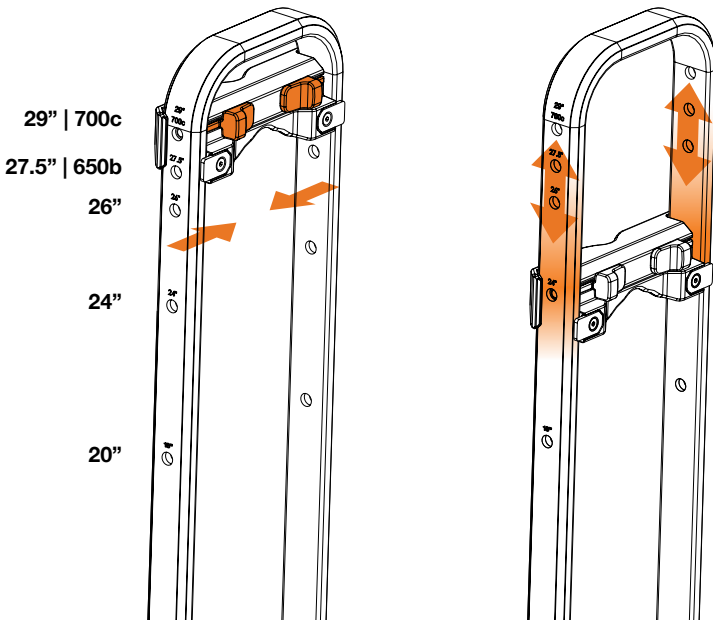




# Loading | Unloading Bikes

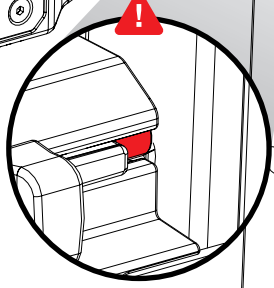
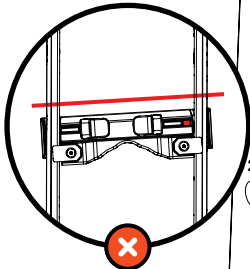
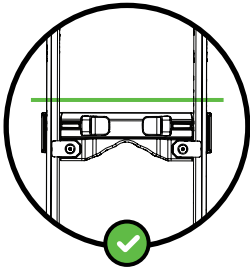
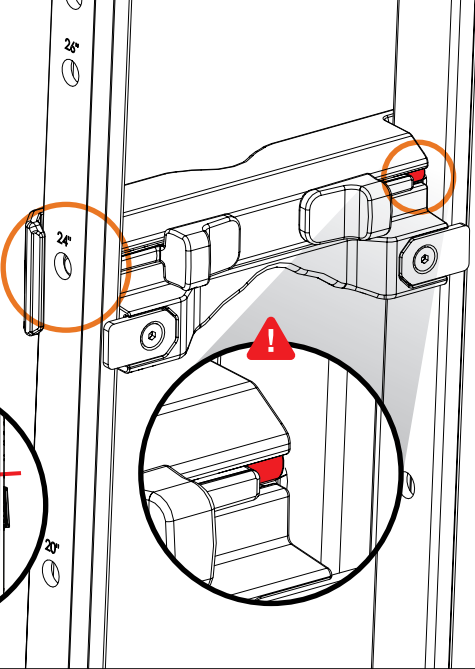


- 2 Push tabs inward and slide tire cradle up or down tire arm to adjust for desired wheel size.

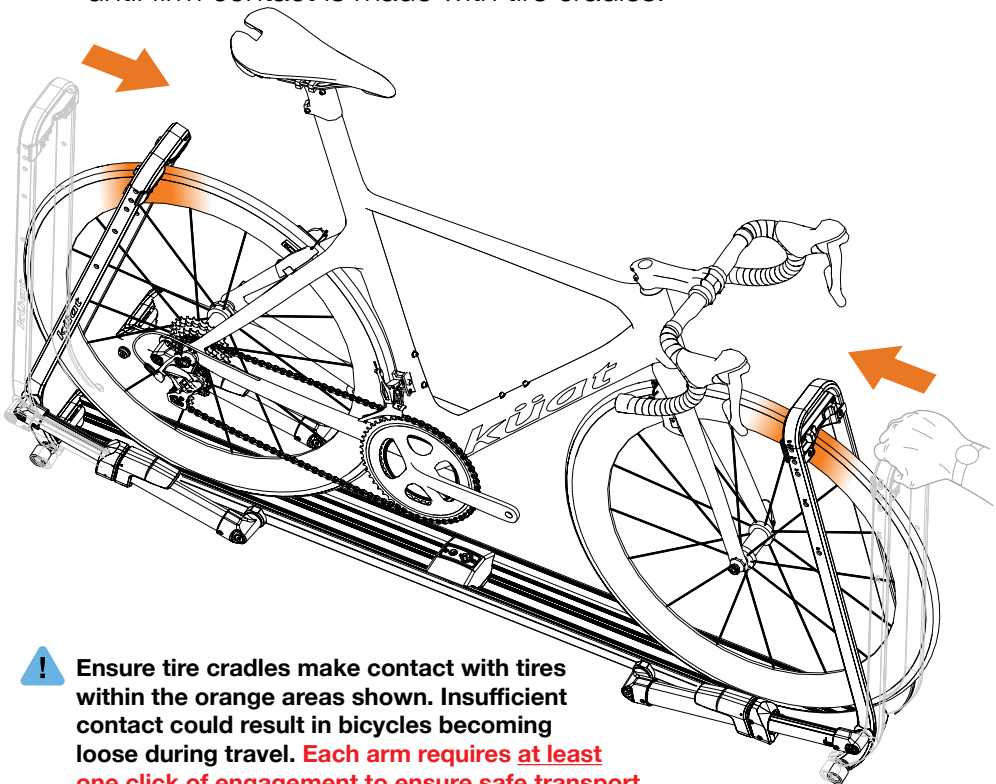


- 3 Visually ensure tabs are fully secured in notches. Misaligned tabs or tabs not fully secured will show a red warning indicator.

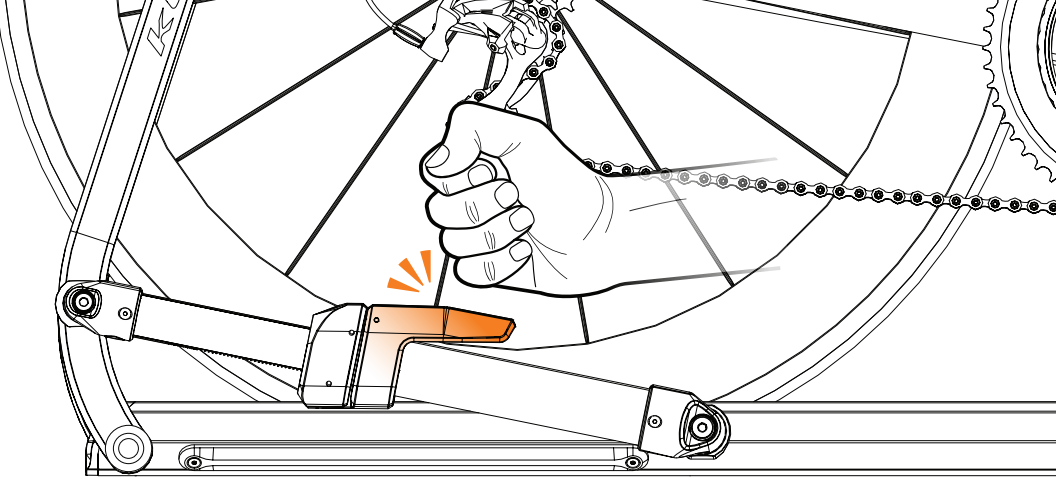
**!** Failure to secure both tabs may result in bikes becoming loose and falling during travel.



- 4 With bike in position close arms onto tires until firm contact is made with tire cradles.



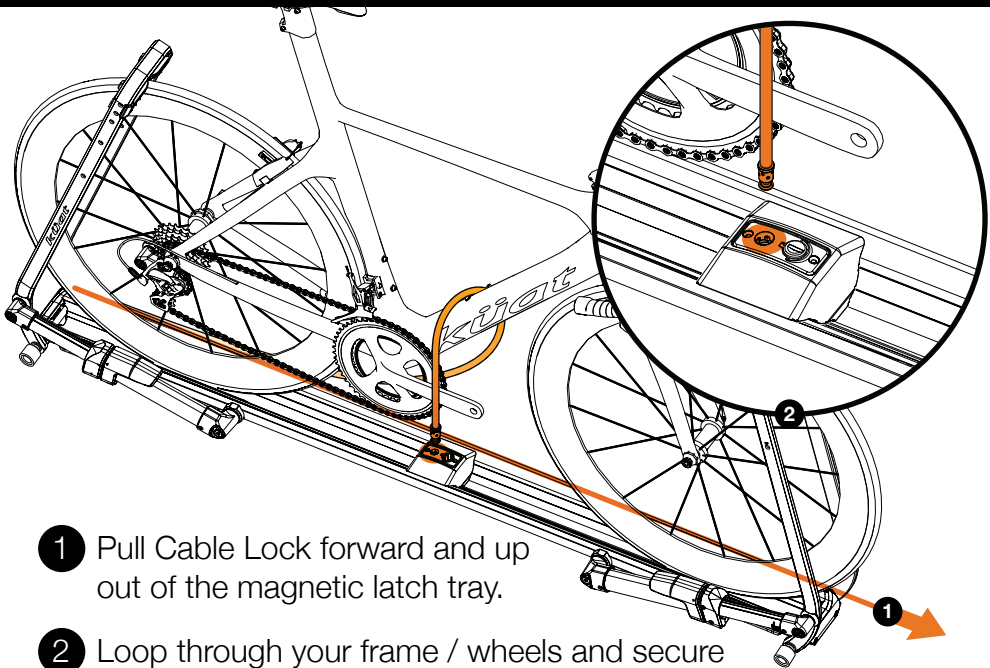
**!** Ensure tire cradles make contact with tires within the orange areas shown. Insufficient contact could result in bicycles becoming loose during travel. **Each arm requires at least one click of engagement to ensure safe transport.**



5 To unload, tap each OneTap™ Lever to release tire arms.

! After pushing the OneTap™ Lever, it may be necessary to push the tire arm up off the tire to fully disengage pneumatic tension.

## Securing your bike with Cable Lock



1 Pull Cable Lock forward and up out of the magnetic latch tray.

2 Loop through your frame / wheels and secure in center Cable Lock Port.

# Kuat Rack Warnings

## PISTON® SR

Number Of Bikes

1
---

Weight Per Bike

67 lb
30.4kg

Max Wheelbase

53 in
1346mm

Max Tire Width

5 in
127mm

### WARNINGS

- Follow instructions for proper assembly, installation and use.
- Check tightness of all bolts and screws periodically.
- Make sure rack is in working condition before each use.
- Do not use front tire bicycle fenders with this product without a Kuat Fender Kit.
- Do not exceed the bicycle or weight limits intended for this rack.
- Do not use rack off road (rough, washed out, boulder-and-rut-strewn backroads).  
-Smooth gravel roads are not considered off-road.
- Do not use tarps, rain covers or wind covers with this product.
- Do not take through automatic car wash.
- Do not mount the PISTON® SR vertically.
- Drive responsibly.

**If you have questions or problems, please contact Kuat Racks directly by calling toll free 1(877)822-KUAT, or by email: [info@kuatracks.com](mailto:info@kuatracks.com)**

### ADVERTENCIAS

- Siga las instrucciones para un montaje, instalación y uso adecuados.
- Verifique periódicamente el apriete de todos los pernos y tornillos.
- Asegúrese de que la parrilla esté en condiciones de funcionar antes de cada uso.
- No utilice guardabarros de bicicleta con neumáticos delanteros con este producto sin un kit de guardabarros Kuat.
- No exceda los límites de bicicleta o peso previstos para este portabicicletas.
- No utilice la rejilla fuera de la carretera (carreteras secundarias accidentadas, arrasadas, llenas de cantos rodados y surcos).  
-Los caminos de ripio liso no se consideran fuera de la carretera.
- No use lonas, cubiertas para la lluvia o cubiertas contra el viento con este producto.
- No pase por lavado automático de autos.
- No monte el PISTON® SR verticalmente.
- Conduzca con responsabilidad.

### AVERTISSEMENTS

- Suivez les instructions pour un assemblage, une installation et une utilisation appropriés.
- Vérifiez périodiquement le serrage de tous les boulons et vis.
- Assurez-vous que le rack est en bon état de fonctionnement avant chaque utilisation.
- N'utilisez pas de garde-boue avant avec ce produit sans kit de garde-boue Kuat.
- Ne dépassez pas les limites de vélo ou de poids prévues pour ce porte-bagages.
- N'utilisez pas de crémaillère hors route (routes secondaires accidentées, délavées, parsemées de rochers et d'ornières).  
-Les routes en gravier lisse ne sont pas considérées comme hors route.
- N'utilisez pas de bâches, de housses de pluie ou de housses contre le vent avec ce produit.
- Ne passez pas dans un lave-auto automatique.
- Ne montez pas le PISTON® SR verticalement.
- Conduisez de façon responsable.

# NO WORRIES LIMITED WARRANTY

We stand behind our products, and our customer service reps are waiting to help you out if you have any problems with your product. Our limited warranty covers your purchase for life. You can review our limited warranty on our website or call customer service at the number below if you have questions or need a repair, replacement, refund, or a copy of the limited warranty.

**[www.kuat.com/warranty](http://www.kuat.com/warranty)**

## **Questions or comments?**

Drop us an email or call us directly!

**[kuat.com](http://kuat.com) | [info@kuat.com](mailto:info@kuat.com) | [877.822.5828](tel:877.822.5828)**

**Notes:**

***kuat***<sup>®</sup>

1.877.822.5828

info@kuat.com

**kuat.com**