

A desk setup featuring a laptop, a vase with a plant, and a wooden '@' symbol. The laptop screen is dark with a purple rectangle on the left side. The text '#SmashTags' is overlaid on the image.

#SmashTags

Elevate, Discover, Optimize
- Unleash Your Social Media Potential!

Team: Kamikazee

Problem Statement

Creators invest substantial time and effort into generating high-quality content that resonates with their intended audience. However, even the most exceptional content might remain unnoticed making content undiscoverable by the target audience and the broader online community.

Inadequate descriptions, vague titles, and outdated or **irrelevant hashtags** limit the visibility and reach of the content, preventing it from reaching its potential viewership.



Idea Brief

AI-powered solution to transform content optimization across various social media platforms like **Instagram, Twitter, YouTube, Podcasts, Blogger**. Tackle the complexity of crafting platform-specific titles, captivating descriptions, and effective hashtags, to elevate engagement and amplify content discovery across diverse social media platforms.



Tech-Stack

Front-end



AngularJS

ANGULAR JS, JavaScript framework that simplifies dynamic web app development through two-way data binding and modular components, enhancing user interface responsiveness.



Backend



Flask

FLASK, Python web framework known for its simplicity and efficiency in building web applications and APIs, making development straightforward with its concise yet powerful tools.



Machine Learning



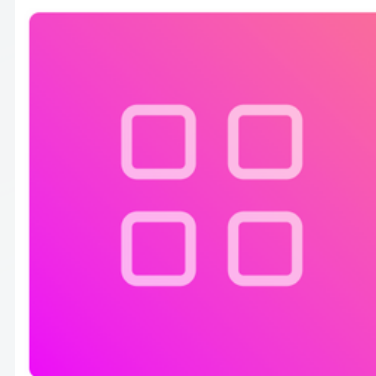
CLARIFAI, Unleash the power of Production AI with an enterprise-grade Computer Vision, NLP & Generative AI platform

ML Models

Different models from are **clarifai** used to handle multi modal data like text, images, audio, etc.



Llama-2-7b



llama2-7b-chat

5 ☆

Text To Text

Llama 2-Chat is a fine-tuned large language model(LLM) optimized for dialogue use cases.

meta / Llama-2 Updated at Aug 25, 2023



BLIP-2



general-english-image-caption-blip-2

2 ☆

Image To Text

BLIP-2, a scalable multimodal pre-training method that enables any Large Language Models (LLMs) to ingest and understand images, unlocks the capabilities of zero-shot image-to-text generation...

salesforce / blip Updated at Aug 01, 2023



Wav-2-vec-base-960



asr-wav2vec2-base-960h-english

7 ☆

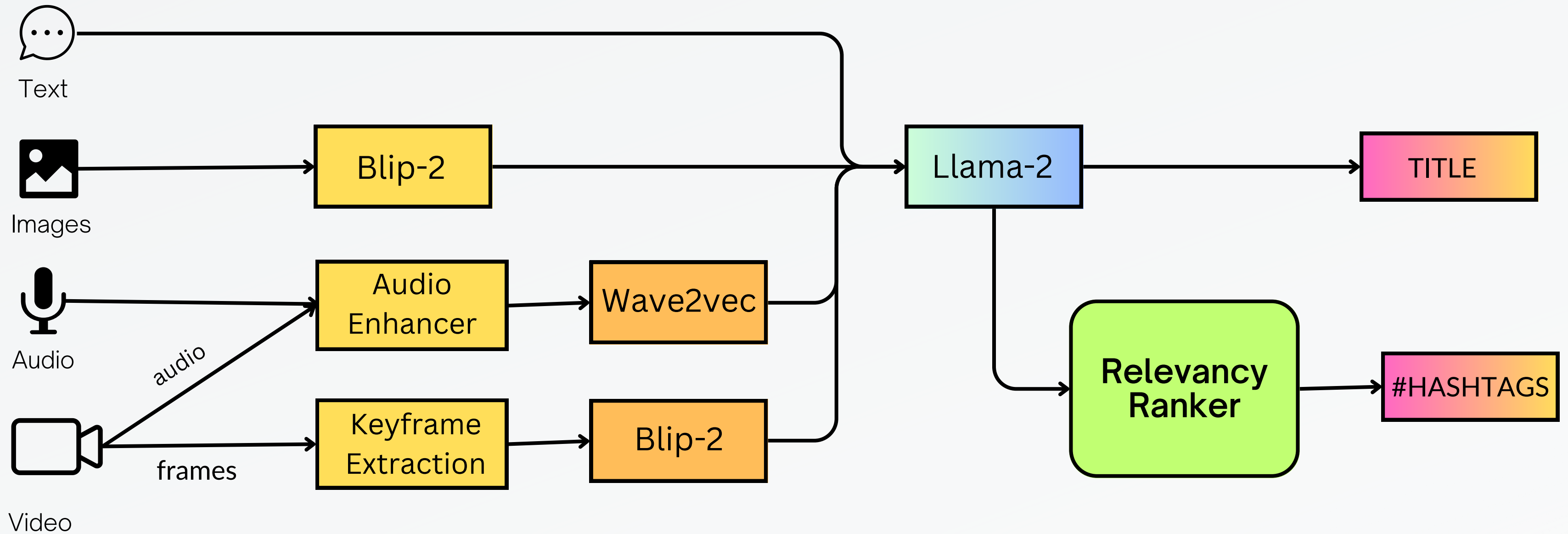
Audio To Text

Audio transcription model for converting English speech audio to English text

facebook / asr Updated at Apr 14, 2023



Workflow



Market Opportunity

The Global Digital Content Creation Market to Hit **US\$ 181.4 Bn** in **2032** and is estimated to expand at a **CAGR by 25.7% (Y-O-Y)**

Types of content produced by creators

Popular Content Produced by Creators

Writing

📄 Blogs

📄 White Papers

📄 eBooks & Guides

📄 Email Newsletter

📄 Product Content

📄 Case Studies

Video & Audio

Vlogs

User-Generated Content

Live Streams

Reels

Tutorials & courses

Interviews

Social Media

Testimonials

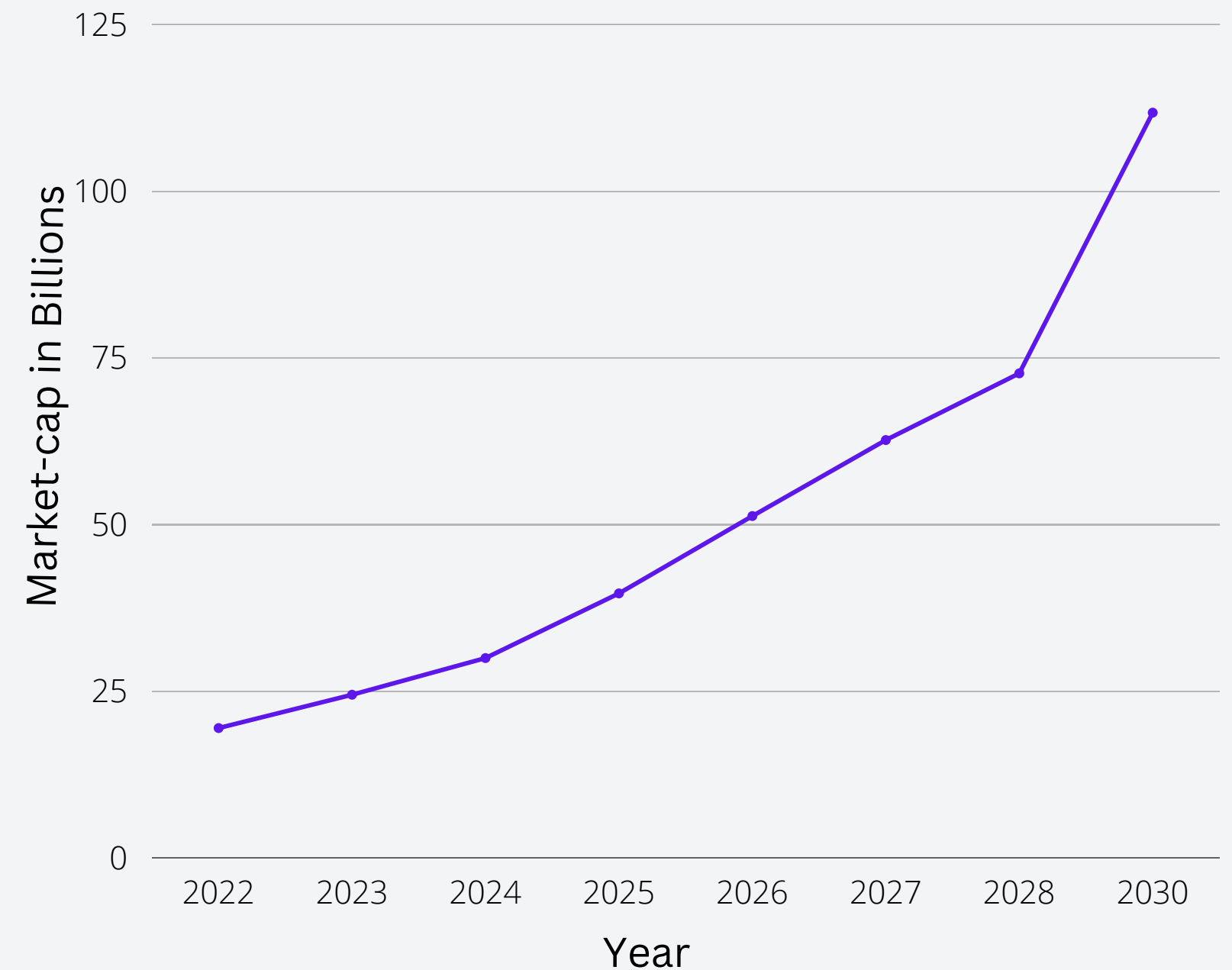
Infographics

Contests

Announcements

Social Posts

Reviews



[Source](#)



Revenue Model

Starter Stream

Influence Impact

Premier Presence

30 textual-posts

50 textual-posts

Unlimited textual-posts

15 images per month

30 images per month

50 images per month

No audio/video

2 hrs audio/video

5 hrs audio/video

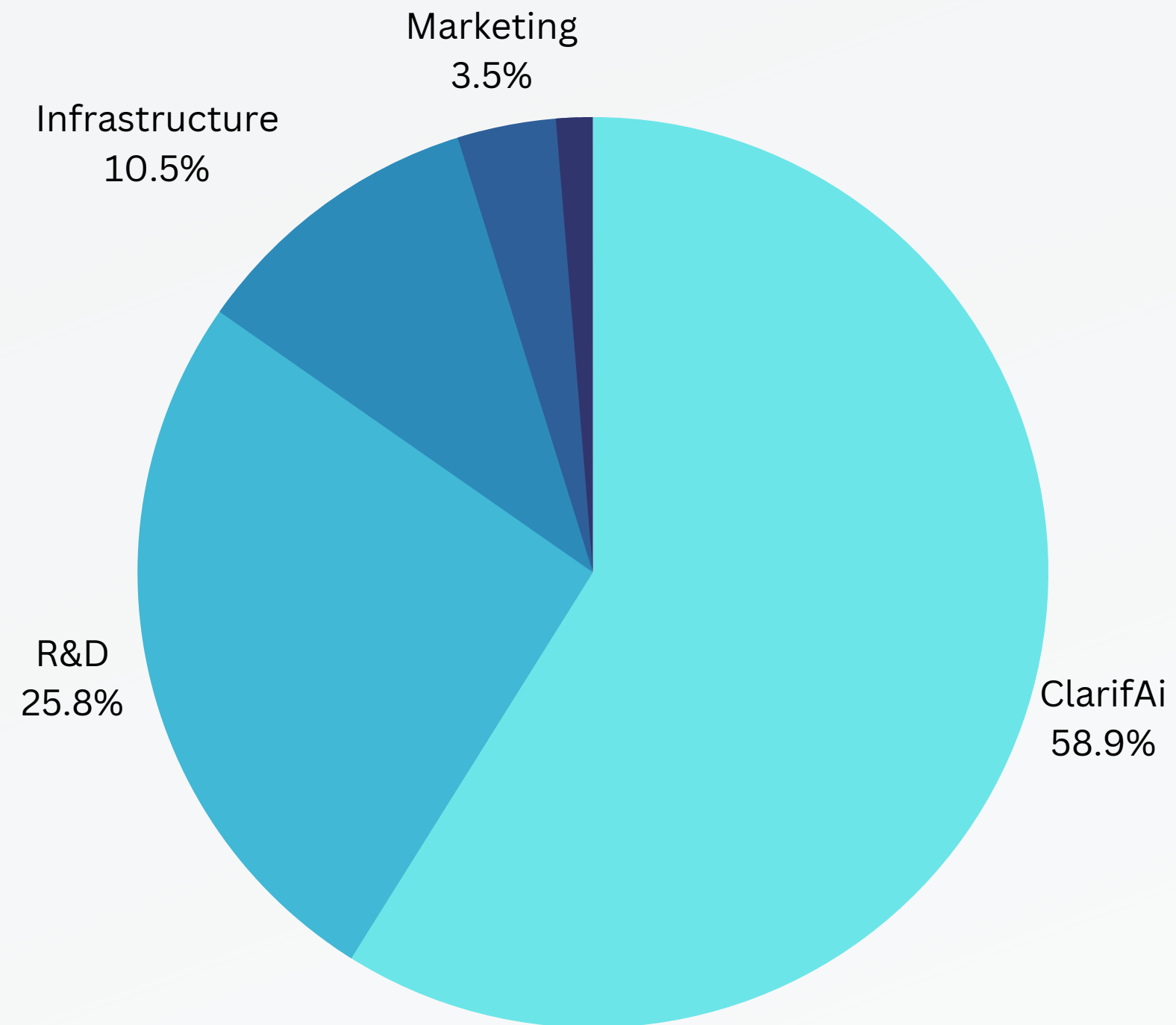
\$29.99/month

\$49.99/month

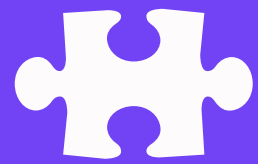
\$99.99/month



Financial Management



Future Scope



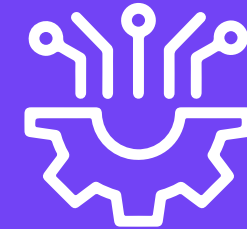
Integrate browser extension for seamless content sharing and optimization with platform compatibility

**BROWSER
EXTENSION**



Expand reach with multilingual support for diverse global audiences

**MULTI
LINGUAL**



Parameter Efficient Fine Tuning, a small number of (extra) model parameters while freezing most parameters

**FINE
TUNING**

Thank You

