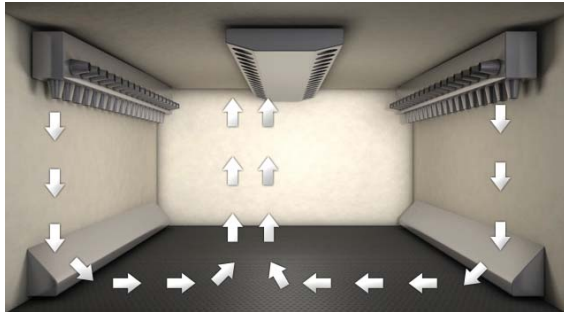


BENEFITS

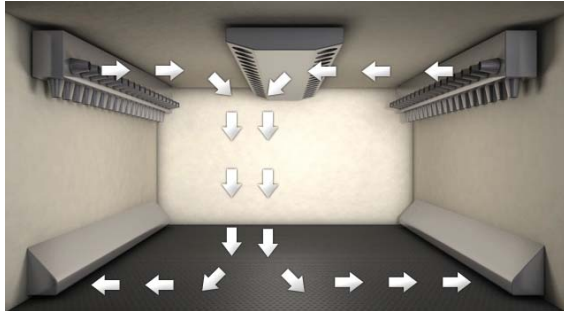
1. TOP ENERGY EFFICIENCY
2. ABSOLUTE CONSISTENCY IN PROCESSES & PRODUCTS
3. HIGH LEVEL OF FLEXIBILITY
4. CAPTIVATING QUALITY
5. OUTSTANDING HYGIENE

FLOW CONDITIONS



Maturing, drying and smoking: the CLIMAMAT STAR climatic maturing installation sets standards. Your products are treated particularly gently and reliably whilst achieving a high degree of standardization.

The adjacent illustration shows the TWIN variant. Here, the vertical air flow of the classic climatic maturing installation is combined with the horizontal air flow of the storage room. The switch between air directions can be controlled automatically or manually.



Air flow conditions inside the chamber are of key importance in guaranteeing the consistency of your products. The tried and tested air change flap system takes care of this.

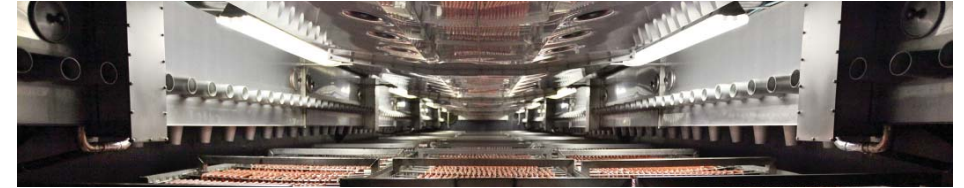
The patented automatic circulating and fresh air systems give you the right tool for controlling these processes reliably and reproducibly.

Fig. VEMAG air change flap, here on a CLIMAMAT STAR TWIN

VARIANTS

CLIMAMAT STAR TWIN

The TWIN variant combines the classic process steps of pre-maturing and post-maturing in a single installation.



OPTIONS



SMOKE GENERATOR

We supply glowing smoke generators, liquid smoke systems and friction smoke generators as options for a huge variety of smoking processes.



CENTRAL MANAGING AND DOCUMENTATION SYSTEM (LDS)

The system reduces complex production processes and a wide-ranging distribution of installation components to a reliable and convenient general overview for the operator.



ETHERNET CONNECTION

Messages are e-mailed to a defined e-mail distribution list.



FULLY AUTOMATIC CIP SYSTEM

Fully automatic central cleaning achieves the best hygiene.



ADDITIONAL DUCT CLEANING

Additional spray nozzles in the injection duct achieve maximum hygiene.



TYPE OF COOLING MEDIUM

The installation can be designed for the cooling media liquid ammonia, Freon or glycol.



TYPE OF HEATING

The climatic maturing installations are available heated by hot water, steam, electricity and thermal oil.



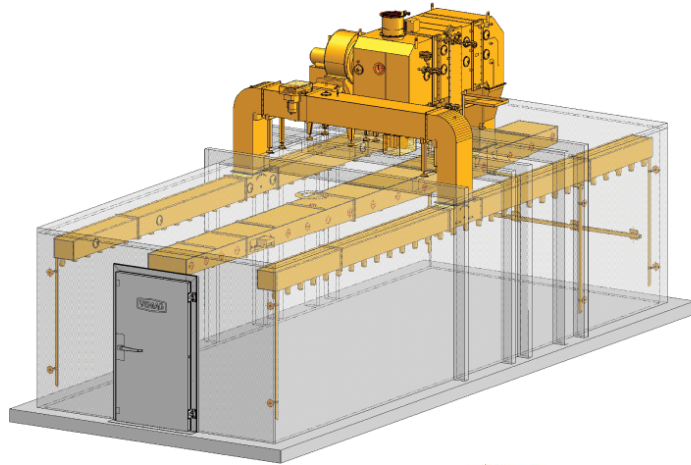


Fig.1 CLIMAMAT STAR with vertical air flow

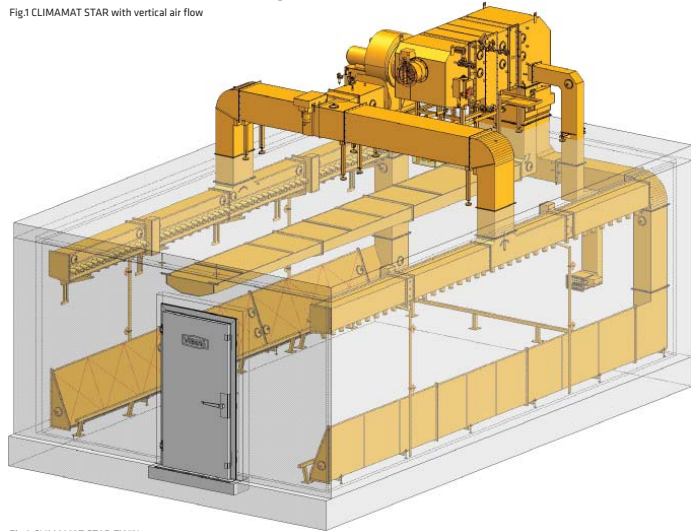


Fig.2 CLIMAMAT STAR TWIN

Exploit the potential of our installations to the economic maximum by using our world-wide network of consultants.
Feel free to contact us:

VEMAG ANLAGENBAU GmbH

Weserstraße 32 • 27283 Verden • Germany
T: +49 (0) 4231/777-7 • vertrieb@vemag-anlagenbau.de
www.vemag-anlagenbau.com

Contact:

Sales
T: +49 (0) 4231/777-7 • F: +49 (0) 4231/777-868
vertrieb@vemag-anlagenbau.de

CLIMAMAT STAR

CLIMAMAT STARS are climatic maturing installations for a variety of thermal treatment processes. The installations for maturing and cold-smoking are equipped with individual air flow systems and can be adapted on a customer-specific basis to suit both products and production capacities, as well as local conditions. ■■■

