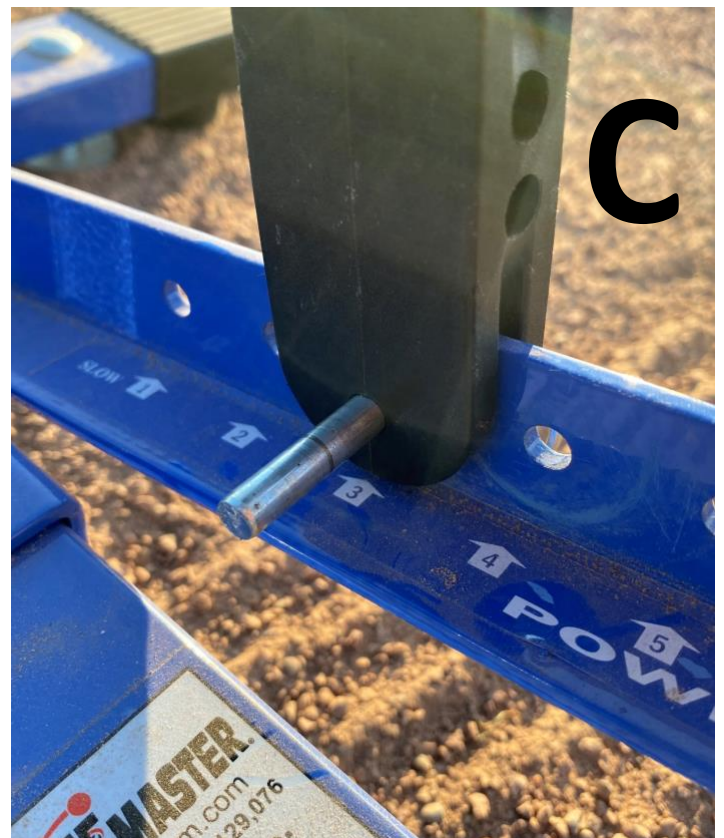
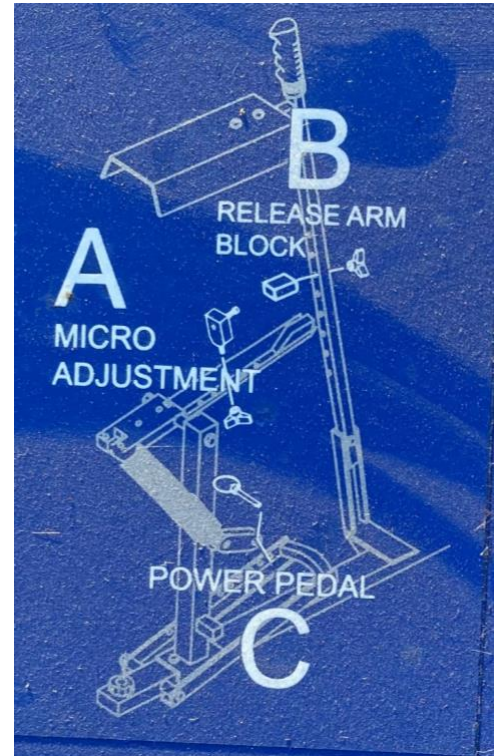




RHAA 8U Tournament

Pitching Machine Settings - Louisville Slugger Blue Flame

Machine set up on flat ground with the front side at a distance of 40 feet from home plate.



Ball Placement – Place the Seams of the Ball as shown below.

This micro adjustment screw may be used by machine operator as necessary based on the height of the batter.



QUESTIONS? E-mail Adam Fay at fay.adamj@gmail.com