

nokē SMART LOTO[®]

2021 PRODUCT CATALOG



THE WORLD'S MOST ADVANCED LOCKOUT TAGOUT, AND SOP ISOLATION MANAGEMENT SYSTEM

NOKĒ HD SMART LOTO PADLOCK

ALUMINUM

NHDA-RD



SPECS

SHACKLE

THICKNESS
6.35mm

MATERIAL
Boron-hardened steel, potted

HEIGHT
25mm



BODY

MATERIAL
Aluminum

FINISH
Anodized

COLOR
PANTONE 2347 C



Color values:
RGB: 225, 6, 0
HEX/HTML: E10600
CMYK: 0, 88, 100, 0

STRENGTH TEST RATING
CEN grade 4

BATTERY LIFE
3+ years

WEATHER RESISTANCE RATING
IP66

OPERATING TEMPERATURE
-4°f to 165°f / -20°c to 74°c

MARKINGS

LOCK FRONT AND BACK

Markings are etch-burned into aluminum in white



LOCK BOTTOM PLATE

Markings are laser-etched into aluminum



SN:HRP-EKE-MAAO
CE
FCC ID: 2AFRJ-HDL1

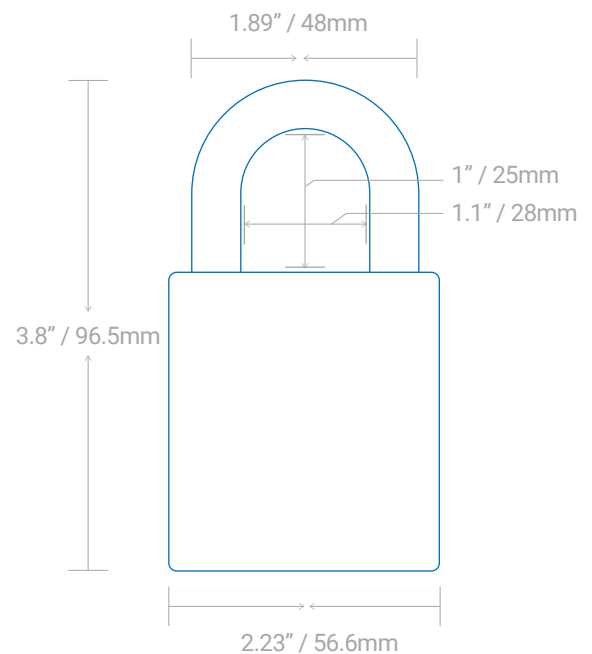
LOCK SIDE

Markings are laser-etched into aluminum



ECM 19 ATEX-B QT54
II 2G Ex ib IIB T4 Gb
Temp : -25°C to +45°C
IP66

DIMENSIONS



NOKĒ ISHD SMART LOTO PADLOCK : INTRINSICALLY SAFE ALUMINUM

NHDA-SLIS-R



SPECS

SHACKLE

THICKNESS
6.35mm

MATERIAL
Boron-hardened steel, potted and covered in a heavy-duty, anti-spark PVC

HEIGHT
25mm

BODY

MATERIAL
Aluminum

FINISH
Anodized

COLOR
PANTONE 2347 C

Color values:
RGB: 225, 6, 0
HEX/HTML: E10600
CMYK: 0, 88, 100, 0

STRENGTH TEST RATING
CEN grade 4

BATTERY LIFE
3+ years

WEATHER RESISTANCE RATING
IP66

OPERATING TEMPERATURE
-4°f to 165°f / -20°c to 74°c

MARKINGS

LOCK FRONT AND BACK

Markings are etch-burned into aluminum in white

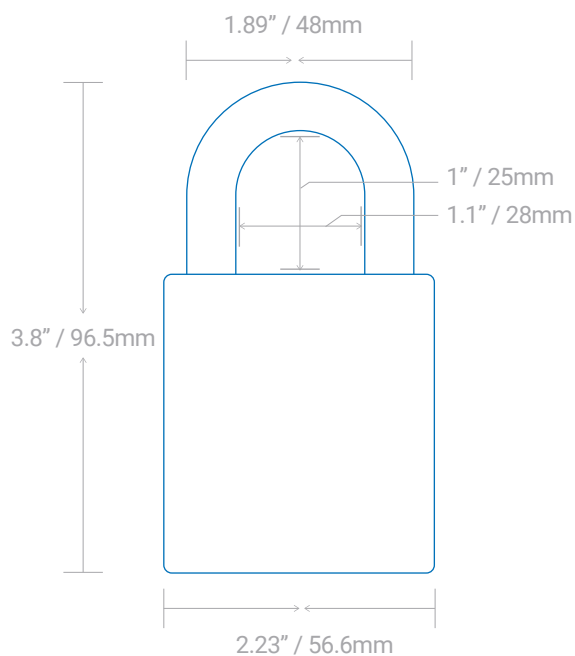


LOCK BOTTOM PLATE

Markings are laser-etched into aluminum



DIMENSIONS



LOCK SIDE

Markings are laser-etched into aluminum



ECM 19 ATEX-B QT54
II 2G Ex ib IIB T4 Gb IP66
Temp : -25°C to +45°C

NOKĒ HD SMART LOTO PADLOCK

PLASTIC

NHDP-BL

NHDP-RD

NHDP-GN

NHDP-YL



SPECS

SHACKLE



THICKNESS
6.35mm



MATERIAL
Boron-hardened
steel, potted



HEIGHT
25mm



BODY



MATERIAL
Plastic



FINISH
Matte



BATTERY LIFE
3+ years



COLOR
Locks available
in four colors:



PANTONE 285 C
Color values:
RGB: 0, 113, 206
HEX/HTML: 0071CE
CMYK: 91.35, 52.67, 0, 0



PANTONE 2347 C
Color values:
RGB: 225, 6, 0
HEX/HTML: E10600
CMYK: 0, 88, 100, 0



PANTONE 347 C
Color values:
RGB: 0, 154, 68
HEX/HTML: 009A44
CMYK: 93, 0, 100, 0



PANTONE Yellow C
Color values:
RGB: 254, 221, 0
HEX/HTML: FEDD00
CMYK: 0, 1, 100, 0

MARKINGS

LOCK FRONT AND BACK

Markings are screened
on plastic in white



LOCK BOTTOM PLATE

Markings are screened
on plastic in black

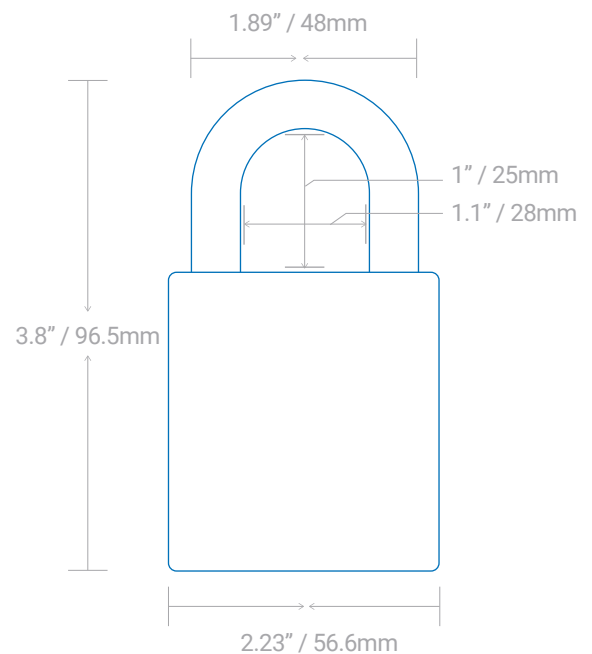


SN:HRP-EKE-MAAO



FCC ID: 2AFRJ-HDL1

DIMENSIONS



NOKĒ HD SMART LOTO PADLOCK

STEEL

S6HD



SPECS

SHACKLE

THICKNESS
6.35mm

MATERIAL
Boron-hardened steel, potted

HEIGHT
25mm



BODY

MATERIAL
Hardened steel with electroless nickel plating

FINISH
Brushed

STRENGTH TEST RATING
CEN grade 4

BATTERY LIFE
3+ years

WEATHER RESISTANCE RATING
IP66

OPERATING TEMPERATURE
-4°F to 165°F / -20°C to 74°C

MARKINGS

LOCK FRONT AND BACK

Logo is laser-etched into steel body



LOCK BOTTOM PLATE

Markings are laser-etched into steel



SN:HRP-EKE-MAAO
CE
FCC ID: 2AFRJ-HDL1

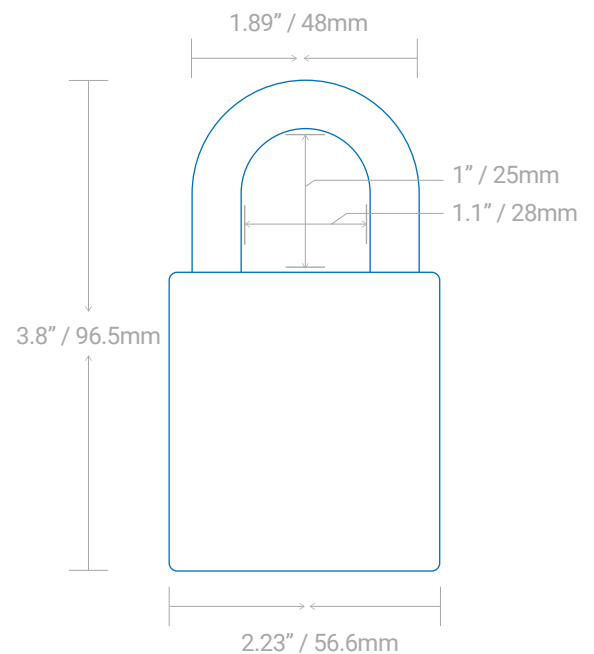
OPTIONAL LOCK SIDE MARKING

Markings are laser-etched into steel



ECM 19 ATEX-B QT54
II 2G Ex ib IIB T4 Gb IP66
Temp : -25°C to +45°C

DIMENSIONS



NOKĒ HD SMART PADLOCK

PROTECTIVE COVER

CHDLO-BL CHDLO-RD CHDLO-GN CHDLO-YL

Protect your lock from dirt, dust, grease, and extreme weather conditions, protect your locked items from scratches, dings and dents, and keep you HD operating like new.



SPECS

BODY



MATERIAL
Rubberized
Plastic



FINISH
Matte



WEIGHT
43g / 1.5oz / .095lbs
(Without HD)



INSTALLATION
Remove shackle and
place over lock



COLOR
Locks available
in four colors:



PANTONE 285 C
Color values:
RGB: 0, 113, 206
HEX/HTML: 0071CE
CMYK: 91.35, 52.67, 0, 0



PANTONE 2347 C
Color values:
RGB: 225, 6, 0
HEX/HTML: E10600
CMYK: 0, 88, 100, 0



PANTONE 347 C
Color values:
RGB: 0, 154, 68
HEX/HTML: 009A44
CMYK: 93, 0, 100, 0



PANTONE Yellow C
Color values:
RGB: 254, 221, 0
HEX/HTML: FEDD00
CMYK: 0, 1, 100, 0

MARKINGS

LOCK FRONT AND BACK

Markings are screened
on plastic in white



BENEFITS

- Open bottom provides fast access to lock sensor
- Protects lock body from elements
- Protects surfaces from lock friction
- Adds option of color to Steel HD

NOKĒ HD SMART PADLOCK

JUMP-START TOOL

BJST

In the rare event that you lose lock power, use the jump-start tool to secure an external 9V battery to the base of the lock to give your lock a jump-start. Once you're jumped, open the lock with the app or Quick-Click code.



SPECS



MATERIAL
PLASTIC



FINISH
Matte



COLOR
Black



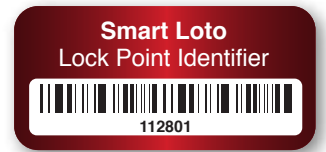
BATTERY TYPE
9V



NOKĒ SMART LOTO

LOCK POINT IDENTIFIER

SL-LPI-R



Now you can take loto safety protocols one step further with a lock point identification sticker. With your smartphone, scan the code with your app to verify a lock is being placed on the correct point.

SPECS

MATERIAL
Anodized aluminum

FINISH
Matte

SIZE
.75" x 1.5"

COLOR
Can be customized

INSTALLATION
Peel and stick

BENEFITS

- Scan bar code with smart device when assigning a number to a lock point
- Use next to lock point to verify correct placement
- Adds simple and effective extra safety measure
- A high-bond adhesive fuses permanently to most surfaces
- Tamperproof and weather resistant

