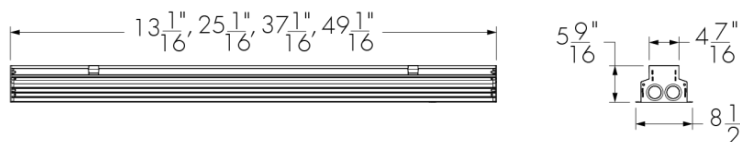


Project Name _____ Qty _____

Type _____ Catalog / Part Number _____



Top view



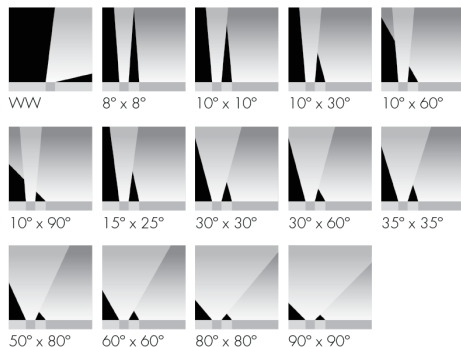
Front and side views

Photometric Summary

	Delivered output (lm)	Intensity (peak cd)
WW	3,634	10,795
8°x8°	4,512	59,238
10°x10°	4,410	33,872
10°x30°	4,586	25,296
10°x60°	3,876	12,062
10°x90°	4,077	6,927
15°x25°	4,346	19,773
30°x30°	4,730	16,886
30°x60°	4,035	5,317
35°x35°	4,612	11,616
50°x80°	4,656	3,904
60°x60°	3,868	3,368
80°x80°	4,548	2,992
90°x90°	4,070	2,132

Based on HO 40K full output, 4ft [1219mm], DMX/RDM configuration.
2.5° factory-set tilt setting for WW optic, 0° tilt setting for all other optics.
Photometric performance is measured in compliance with IESNA LM-79-08.

Optics



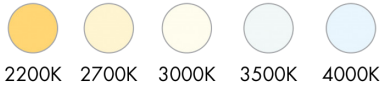
Description

The Lumenfacade Inground is an LED luminaire designed for ground-recessed lighting applications, including asymmetric wall washing, grazing, and linear wayfinding. An innovative, plug and play design simplifies installation, protecting the system from water infiltration and ensuring long-lasting performance. Featuring second generation LED technology, the Lumenfacade Inground is available in four different sizes (12 in, 24 in, 36 in or 48 in), with a wide choice of outputs, color temperatures, color-mixing systems, optics and controls. A unique asymmetric wallwash distribution is also available, providing exceptional uniformity and brightness for walls and signage.

Features

Construction	Walk over compliant up to 500 kg in any type of ground, Walk over compliant up to 1000 kg in concrete
Color and Color Temperature	2200K, 2700K, 3000K, 3500K, 4000K, Red, Green, Blue
Length (nominal)	12 in, 24 in, 36 in, 48 in
Optics	Asymmetric wallwash, 8° x 8°, 10° x 10°, 10° x 30°, 10° x 60°, 10° x 90°, 15° x 25°, 30° x 30°, 30° x 60°, 35° x 35°, 50° x 80°, 60° x 60°, 80° x 80°, 90° x 90°
Tilt Setting (factory set)	0 degrees, 2.5 degrees, 5 degrees, 20 degrees
Optical Option	Internal louver
Options	Anti-slip lens, CE (certification covers European Economic Area)
Power Consumption	5 W/ft (meets ASHRAE standards for linear lighting on building facades - not available for 12 in fixture lengths), 8.5 W/ft (RO version), 15.25 W/ft (HO version), Typically 20% higher for 12 in fixture lengths
Warranty	5-year limited warranty

Colors and Color Temperatures



Controls

ON/OFF 0-10V DALI



Ratings

IP68 IK10

Certifications



Performance

Maximum Delivered Output	4,730 lm (48 in fixture, 4000K, 30° x 30°, 0° tilt setting, DMX/RDM)
Maximum Delivered Intensity	59,238 cd at nadir (48 in fixture, 4000K, 8° x 8°, 0° tilt setting, DMX/RDM)
Illuminance at Distance	Minimum 1 fc at 243 ft (48 in fixture, 4000K, 8° x 8°, 0° tilt setting, DMX/RDM)
Color Consistency	2 SDCM, 3 SDCM (2200K)
Color Rendering	Minimum CRI 80
Lumen Maintenance	L70 280,000 hrs, L95 35,000 hrs

Physical

Optical Chamber Material	Aluminum
Blockout Material	Polymer recycled PVC reinforced with a stainless steel frame
Trim Material	Anodized aluminum
Lens Material	Tempered glass
End Cap Material	Die cast aluminum
Hardware Material	Stainless steel
Weight	12 in: 7.5 lbs, 24 in: 15.3 lbs, 36 in: 21.4 lbs, 48 in: 27 lbs

Electrical and control

Voltage	120 to 277 volts
Fixture Cable	Power and data in one cable
Leader Cable Conductor	5C #16-5
Connectors	IP68 push-lock
Control	On/Off control, Lumentalk, 0-10V dimming, DALI dimming, Lutron® EcoSystem® Enabled dimming, DMX/RDM enabled
Resolution (DMX/RDM)	Per foot or per fixture (configured with LumenID V3 software), 8-bit or 16-bit

Environmental

Storage Temperature	-40 °F to 185 °F (device must reach start-up temperature value before operating)
Start-up Temperature	-13 °F to 122 °F
Operating Temperature	-40 °F to 122 °F
Ingress Protection Rating	IP68 rated for up to 1 ft, not suitable for permanent immersion applications
Impact Resistance Rating	IK10

Accessories (order separately)

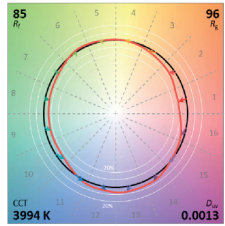
Cables	Lumenfacade Inground Leader Cable, Lumenfacade Inground Jumper Cable
Electrical Accessories	Lumenfacade Inground Junction Box

Control Boxes	DMX/RDM enabled (daisy chain or star configuration), Ethernet enabled (daisy chain or star configuration)
Control Systems	Lumentone™ 2 (LTN2), Pharos® kit (PHAROS)
Diagnostic and Addressing Tools	LumenID (LID), LumentalkID (LIDLTL)

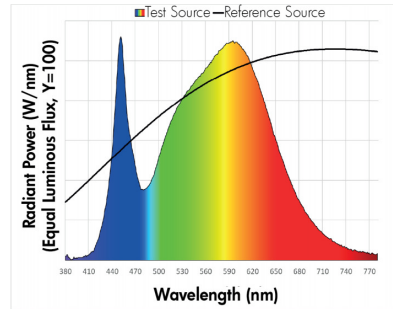
Chromaticity data

TM-30 - 4000K

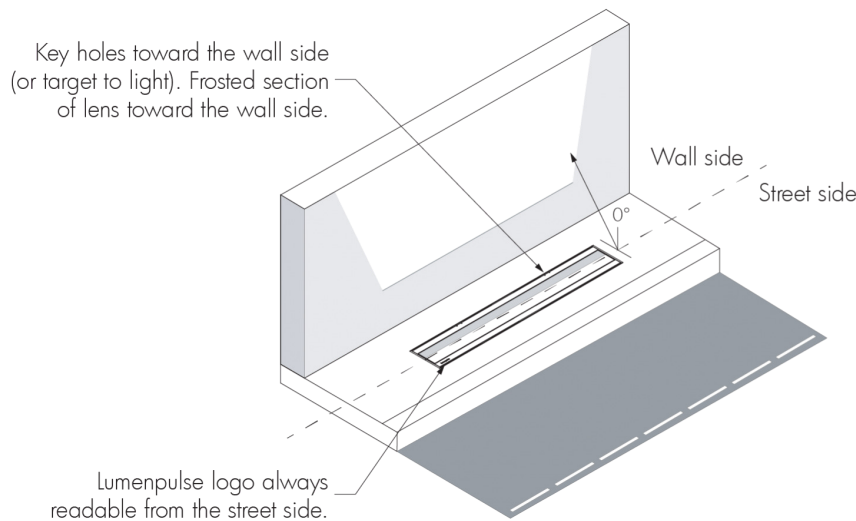
CCT	CIE		TM-30	
4000K	R _a	83	85	R _f
	R _g	1.4	96	R _o



Spectral Power Distribution



Optical chamber orientation



Cables (order separately)

LOILC - Leader cable for Lumenfacade Inground



LOILC-CERTIFICATION-LENGTH

Please specify:

CERTIFICATION: UL or CE; **LENGTH:** 10 ft, 25 ft or 50 ft

- Suitable for dimming/data and non-dimming applications.
- Consult Lumenfacade Inground leader cable specification sheet for details.

LOIJC - Jumper cable for Lumenfacade Inground



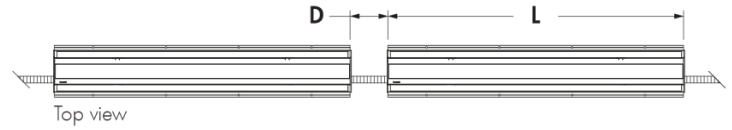
LOIJC-CERTIFICATION-LENGTH

Please specify:

CERTIFICATION: UL or CE; **LENGTH:** 2 ft, 4 ft or 10 ft

- Suitable for dimming/data and non-dimming applications.
- Consult Lumenfacade Inground jumper cable specification sheet for details.

Jumper cable length selection



D - distance between two fixtures

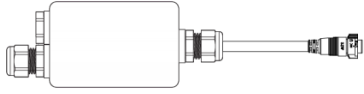
L - length of fixture

Add the length of one fixture to the distance between two fixtures: $L + D$. Order the next longest jumper cable available: 2 ft, 4 ft or 10 ft.

Example: if the distance between two 4 ft fixtures is 0.5 ft, $L + D = 4.5$ ft, therefore a 10 ft jumper cable is required.

Electrical accessories (order separately)

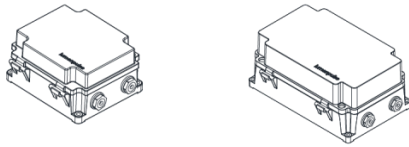
LOI-JBOX - Lumenfacade Inground Junction Box



Lumenfacade Inground IP68 sealed junction box starter kit. Use for stand alone fixtures and/or first of run installations. The LOI-JBOX accessory does not fit in 12 in fixtures.

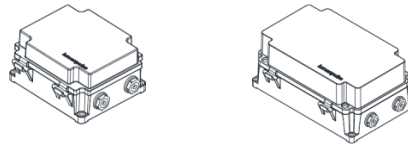
Control boxes (order separately)

CBX-DMX/RDM - DMX/RDM enabled (daisy chain or star configuration)



DMX/RDM control box. Up to six power and data outputs to fixtures or fixture runs. Consult CBX specification sheet and installation instructions for details. Lumenterminators provided with CBX (2x for daisy chain configuration, 6x for star configuration), consult factory to order spares.

CBX-ENET - Ethernet enabled (daisy chain or star configuration)



Ethernet control box. Up to four power and data outputs to fixture or fixture runs. Consult Ethernet CBX specification sheet and installation instructions for details.

Control systems (order separately)

LTN2 - Lumentone™ 2



Lumentone 2 is a simple pre-programmed DMX 512 controller with a push button rotary dial and live feedback.

PHAROS - Pharos® kit



The Pharos kit, available for 1 or 2 DMX universes, allows for complete control of large lighting installations. 2 DMX universes kit shown.

Diagnostic and addressing tools (order separately)

LID - LumenID



LumenID is a diagnostic and addressing DMX/RDM tool. It must be specified on all DMX applications. Consult LID specification sheet for details.

LID-LT - LumentalkID

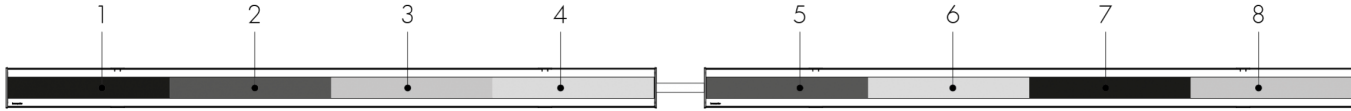


LumentalkID is a diagnostic and addressing tool. It must be specified for all Lumentalk (LT) applications. Consult LID-LT specification sheet for details.

Resolution details

DMX/RDM control, resolution per foot: each 12 in section is addressed independently

DMX addresses:



DMX/RDM control, resolution per fixture: each fixture is addressed independently

DMX addresses:



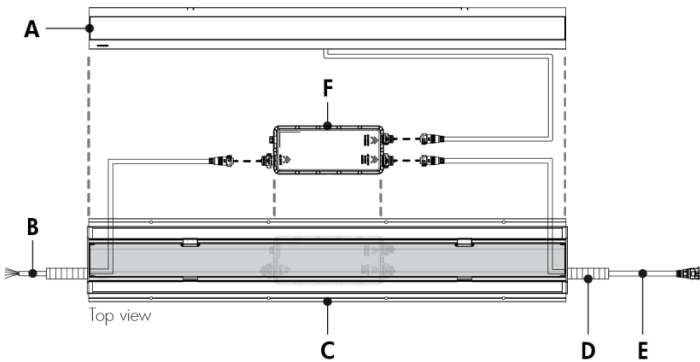
- 48 in fixtures shown.
- Applicable for DMX/RDM control option only. Fixture resolution can be configured on-site within the LumenID V3 software. A DMX/RDM enabled CBX is required.

Typical wiring diagrams

Wiring color code

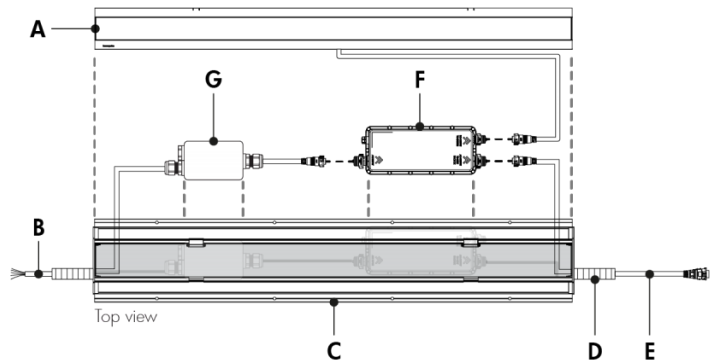
UL Color Code	USE
Green	Ground
Black	Line
White	Line/Neutral
Red or Purple	0-10V / Data +
Orange	0-10V / Data -

Typical installation with leader cable



- A** - Optical chamber
- B** - Leader cable (LOILC, order separately)
- C** - Blockout
- D** - Conduit (by others)
- E** - Jumper cable to next fixture (LOIJC, order separately, for continuous run installations)
- F** - PACBOX

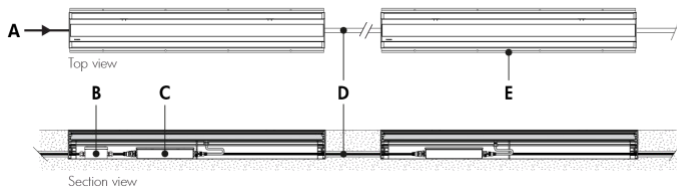
Typical installation with IP68 LOI-JBOX accessory



- A** - Optical chamber
- B** - Power and data input cable (by others)
- C** - Blockout
- D** - Conduit (by others)
- E** - Jumper cable to next fixture (LOIJC, order separately, for continuous run installations)
- F** - PACBOX
- G** - IP68 LOI-JBOX (order separately)

The IP68 LOI-JBOX accessory cannot be used with 12 in fixtures.

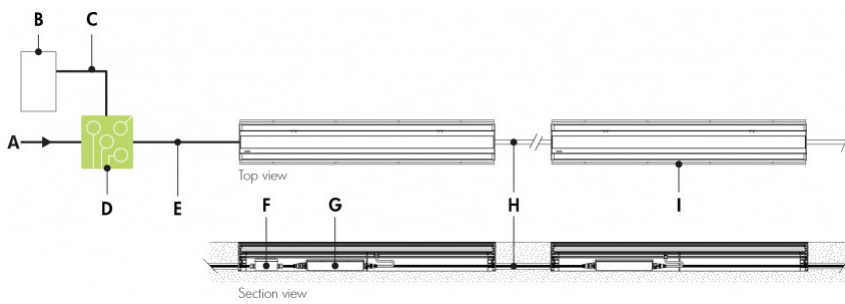
On/Off Control (NO)



- A** - Power input (120-277V, wiring by others)
- B** - IP68 LOI-JBOX (optional)
- C** - PACBOX
- D** - Jumper cable (LOIJC)
- E** - Lumenfacade Inground

- Consult the installation instructions for additional wiring details.
- Consult factory for specific applications and maximum fixture count/cable length recommendations.
- ASHRAE version (not available for 12 in fixture lengths): 5 W/ft; Regular Output version: 8.5 W/ft; High Output version: 15.25 W/ft.

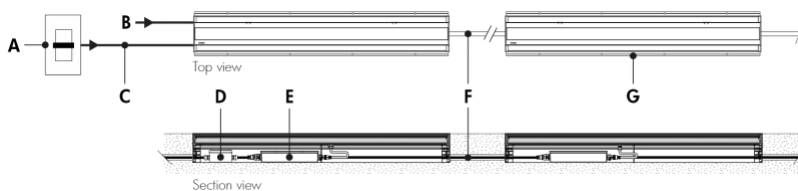
Lumentalk (LT)



- A** - Power input (100-277V AC, wiring by others)
- B** - Dimmer/controller (order separately from Lumenpulse, or by others)
- C** - Data wiring (by others)
- D** - Lumentranslator 2 (LTL2-DIM, -DMX, -TRIAC, -DALI)
- E** - Power wiring (by others)
- F** - IP68 LOI-JBOX (optional)
- G** - PACBOX
- H** - Jumper cable (LOIJC)
- I** - Lumenfacade Inground

- Consult the installation instructions for additional wiring details.
- Consult factory for specific applications and maximum fixture count/cable length recommendations.
- Lumentalk enabled fixtures must be commissioned using LumentalkID software and a LID-LT. Consult factory for details.
- Maximum of 1 transmitter (Lumentranslator or Lumenlink) per system.
- No third party fixtures allowed on the same circuit.
- For DMX applications: 1 DMX controller per Lumentalk network, maximum of 48 DMX channels per Lumentalk network (minimum step transition update rate is 1 second, minimum fade time between two colors is 1 minute). Consult factory for applications that require additional capabilities.
- Consult factory for DALI Lumentalk applications.
- 1% minimum dimming value.
- ASHRAE version (not available for 12 in fixture lengths): 5 W/ft; Regular Output version: 8.5 W/ft; High Output version: 15.25 W/ft.

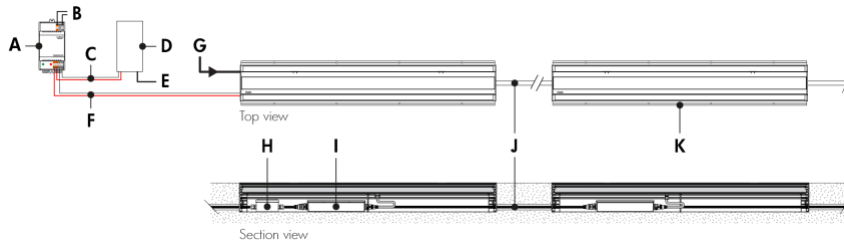
0-10V dimming (DIM)



- A** - Dimmer (by others)
- B** - Power input (120-277V, wiring by others)
- C** - Data wiring (by others)
- D** - IP68 LOI-JBOX (optional)
- E** - PACBOX
- F** - Jumper cable (LOIJC)
- G** - Lumenfacade Inground

- Consult the installation instructions for additional wiring details.
- Consult factory for specific applications and maximum fixture count/cable length recommendations.
- 0-10V mA ratings: passive dimmer (Current Sink): 3 mA per fixture, active dimmer (Current Source): 0.5 mA per fixture.
- 1% minimum dimming value.
- ASHRAE version (not available for 12 in fixture lengths): 5 W/ft; Regular Output version: 8.5 W/ft; High Output version: 15.25 W/ft.

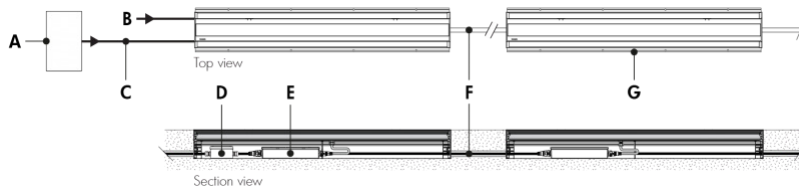
DALI dimming (DALI)



- A** - DALI bus power supply (by others)
- B** - Power input for DALI bus power supply (wiring by others)
- C** - Data output to DALI controller (wiring by others)
- D** - DALI controller (by others)
- E** - Power input for DALI controller (wiring by others)
- F** - Data output to fixture (wiring by others)
- G** - Power input (120-277V, wiring by others)
- H** - IP68 LOI-JBOX (optional)
- I** - PACBOX
- J** - Jumper cable (LOIJC)
- K** - Lumenfacade Inground

- Consult the installation instructions for additional wiring details.
- Consult factory for specific applications and maximum fixture count/cable length recommendations.
- Maximum of 64 DALI fixtures per DALI loop.
- 1% minimum dimming value.
- ASHRAE version (not available for 12 in fixture lengths): 5 W/ft; Regular Output version: 8.5 W/ft; High Output version: 15.25 W/ft.
- Commissioning may be required based on the selection of 3rd party DALI controller. Controller and commissioning provided by others.

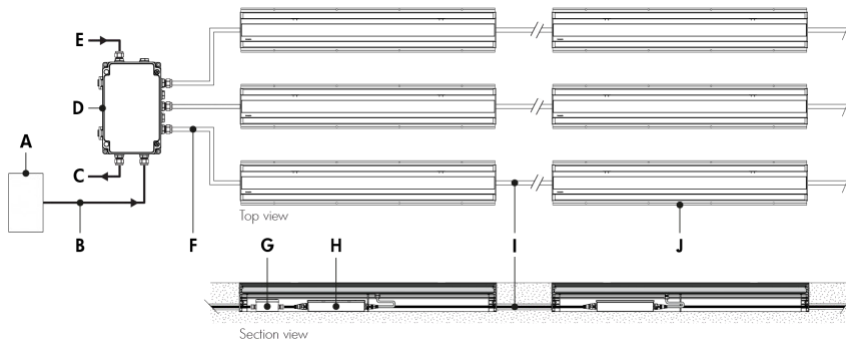
Lutron® EcoSystem® Enabled dimming (ES)



- A** - Lutron® EcoSystem® controller (by others)
- B** - Power input (120-277V, wiring by others)
- C** - Data wiring (by others)
- D** - IP68 LOI-JBOX (optional)
- E** - PACBOX
- F** - Jumper cable (LOIJC)
- G** - Lumenfacade Inground

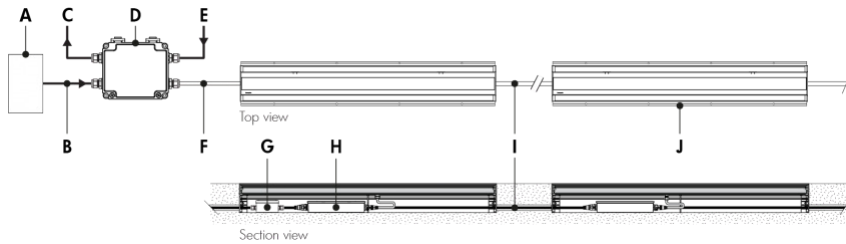
- Consult the installation instructions for additional wiring details.
- Consult factory for specific applications and maximum fixture count/cable length recommendations.
- Each Lutron® EcoSystem® enabled fixture has its own address; for the example shown, there are a total of 2 EcoSystem® addresses.
- 1% minimum dimming value.
- ASHRAE version (not available for 12 in fixture lengths): 5 W/ft; Regular Output version: 8.5 W/ft; High Output version: 15.25 W/ft.

Star Layout (DMX/RDM)



- A** - DMX/RDM controller (order separately from Lumenpulse, or by others)
- B** - Data input (Belden 9841 or equivalent, by others)
- C** - Data output to next CBX (optional, not isolated/not boosted)
- D** - CBX-ST
- E** - Power input (120-277V, wiring by others)
- F** - Leader cable (LOILC)
- G** - IP68 LOI-JBOX (optional)
- H** - PACBOX
- I** - Jumper cable (LOIJC)
- J** - Lumenfacade Inground

Daisy Chain Layout (DMX/RDM)



- A** - DMX/RDM controller (order separately from Lumenpulse, or by others)
- B** - Data input (Belden 9841 or equivalent, by others)
- C** - Data output to next CBX (optional, not isolated/not boosted)
- D** - CBX-DS
- E** - Power input (120-277V, wiring by others)
- F** - Leader cable (LOILC)
- G** - IP68 LOI-JBOX (optional)
- H** - PACBOX
- I** - Jumper cable (LOIJC)
- J** - Lumenfacade Inground

Maximum Run of Fixtures, Lumenfacade® LOI ASHRAE White & Static Colors 5 W/ft

Voltage	120/277V
Maximum Run of Fixtures*	128ft

Maximum Run of Fixtures, Lumenfacade® LOI RO White & Static Colors 8.5 W/ft

Voltage	120/277V
Maximum Run of Fixtures*	120ft

Maximum Run of Fixtures, Lumenfacade® LOI HO White & Static Colors 15.25 W/ft

Voltage	120/277V
Maximum Run of Fixtures*	68ft

Based on 15A maximum, 50ft leader cable.

*Example: 120V = 120ft maximum run of end to end fixtures (30 fixtures maximum for 4ft LOI RO).

- Consult the installation instructions for additional wiring details.
- Consult factory for specific applications and maximum fixture count/cable length recommendations. Maximum run length calculations are typically based on 48 in fixtures.
- The DMX/RDM protocol states a maximum of 32 DMX/RDM enabled fixtures on any single run.
- Maximum of 4 DMX/RDM repeaters/CBX cascading in line.
- Maximum of 6 outputs per CBX-ST; maximum of 1 output per CBX-DS.
- Each fixture requires 1 DMX address.
- 1% minimum dimming value.
- ASHRAE version (not available for 12 in fixture lengths): 5 W/ft; Regular Output version: 8.5 W/ft; High Output version: 15.25 W/ft.

How to order

Housing ⁽¹⁾ ⁽⁴⁾ ⁽⁵⁾	Voltage	Length	Color and Color Temperature ⁽⁶⁾	Optics	Tilt Setting ⁽¹⁰⁾ ⁽¹¹⁾	Optical Option	Control	Options
LOI ASHRAE Lumenfacade™ Inground, 5 W/ft ASHRAE compliant ⁽²⁾ ⁽³⁾ LOI RO Lumenfacade™ Inground, Regular Output, 8.5 W/ft ⁽³⁾ LOI HO Lumenfacade™ Inground, High Output, 15.25 W/ft ⁽³⁾	120/277 120-277 volts	12 13 1/16 in (7.5 lbs) ⁽⁵⁾ 24 25 1/16 in (15.3 lbs) 36 37 1/16 in (21.4 lbs) 48 49 1/16 in (27 lbs)	22K 2200K 27K 2700K 30K 3000K 35K 3500K 40K 4000K RD Red ⁽⁷⁾ GR Green ⁽⁷⁾ BL Blue ⁽⁷⁾	WW Asymmetric Wallwash ⁽⁸⁾ 8x8 8° x 8° ⁽⁸⁾ ⁽⁹⁾ 10x10 10° x 10° ⁽⁸⁾ ⁽⁹⁾ 10x30 10° x 30° ⁽⁸⁾ 10x60 10° x 60° ⁽⁸⁾ 10x90 10° x 90° ⁽⁸⁾ 15x25 15° x 25° ⁽⁸⁾ 30x30 30° x 30° 30x60 30° x 60° 35x35 35° x 35° 50x80 50° x 80° 60x60 60° x 60° 80x80 80° x 80° 90x90 90° x 90°	TS2.5 2.5 degrees TS0 0 degrees TS5 5 degrees TS20 20 degrees	INTL Internal louver ⁽¹²⁾	NO On/Off control LT Lumentalk ⁽¹³⁾ DIM 0-10V dimming DALI DALI dimming ES Lutron® EcoSystem® Enabled dimming DMX/RDM DMX/RDM enabled ⁽¹⁴⁾	ASL Anti-slip lens CE CE (European certification) ⁽¹⁵⁾

Notes:

1. A Lumenfacade Inground fixture includes one optical chamber (LOIC), one power and control box (PACBOX) and one recessed blackout (RBO). The LOIC, PACBOX and RBO are provided according to the output/color, length and control configuration.
2. ASHRAE version not available for 12 in fixture lengths.
3. Consult factory for products that are BAA-approved (Buy American Act).
4. Consult the installation instructions to plan all aspects of the fixture installation.
5. Power consumption is typically 20% higher for 12 in fixture lengths.
6. Consult factory for availability of static Royal Blue, 6500K and 90+ CRI.
7. Static colors made to order 8-10 weeks.
8. 8x8, 10x10, 10x30, 10x60, 10x90, 15x25 and WW distributions come with a half-frosted lens to bring light low on the wall for grazing applications. Clear lens also available, consult factory.

9. For best results use with HO fixtures at a 6 in setback from surface. Contact factory for application support.
10. Do not specify a tilt setting for the asymmetric wallwash option. The asymmetric wallwash optic is factory set with a 2.5 degree tilt.
11. Tilt setting is factory set and cannot be adjusted in the field.
12. The addition of an internal louver will affect beam distribution. Consult factory for application support.
13. A Lumentranslator 2 (LTL2) and LumentalkID (LIDL) must be specified for Lumentalk applications. Consult Lumentranslator 2 and Lumentalk pages and specification sheets for details.
14. A control box (CBX) and LumenID (LID) must be specified.
15. Consult European specification sheet and installation instructions for CE wiring information.