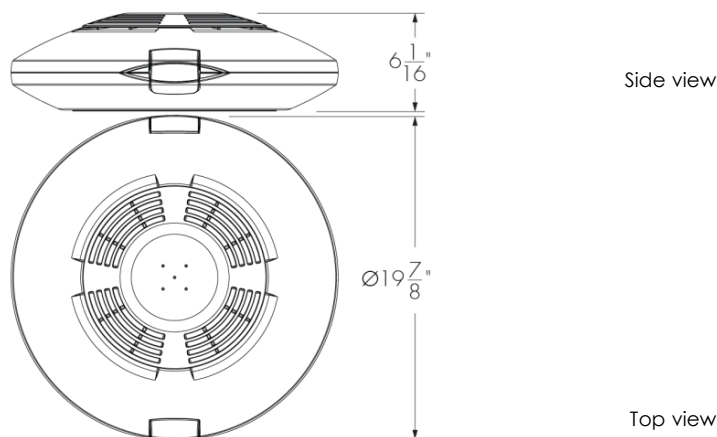
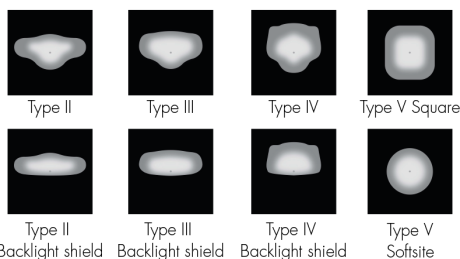


Project Name _____ Qty _____

Type _____ Catalog / Part Number _____



Distributions



Description

Energy efficient and designed to limit up-light, the Pure100 is a versatile solution for a range of urban lighting applications, creating unique outdoor environments, while also protecting the night sky.

Features

Color and Color Temperature	2200K, 2700K, 3000K, 3500K, 4000K, 5700K
Distributions	Type II, Type III or Type IV (with or without backlight shield), Type 5 square and Type V Softsite
Options	Corrosion-resistant coating for hostile environments, Surge protector, 5-Pin Receptacle with or without shorting cap, 7-Pin Receptacle with or without shorting cap
Warranty	5-year limited warranty

Colors and Color Temperatures



Performance

Output (nominal lumens)	Minimum 3000lm / Maximum 20000lm
Color Rendering	3 SDCM for CRI 70+ and 2 SDCM for CRI 80+
Lumen Maintenance	TM-21 L70 527,000 hrs (projected, Ta 77 °F), 36,000 hrs (reported, Ta 77 °F)
Dark Sky	Dark sky compliant (2200K, 2700K and 3000K color temperatures, BUG rating of U0)

Control

ON/OFF 0-10V

Rating

IP66 (optical chamber)

Certifications



Physical

Housing Material	Die cast low copper 360 aluminum alloy
Lens Material	Optical tempered clear glass (Clearsite lens), Optical tempered opal glass (Softsite lens)
Weight	30 lbs luminaire head only
EPA	0.43 sq ft luminaire head only

Surface Finish Super durable resistant exterior polyester powder coating meets AAMA 2604-98 requirements (5-years Florida exposure), a corrosion resistant finish (CRC) pre-finish is available to meet ASTM B-117 & ASTM D-1654 (salt spray resistance) and ASTM D-2247 requirements (humidity resistance).

Electrical and control

Voltage 120 volts, 208 volts, 240 volts, 277 volts, 347 volts, 480 volts

Control On/Off control, 0-10V dimming

Environmental

Storage Temperature -40 °F to 122 °F (device must reach start-up temperature value before operating)

Start-up Temperature -40 °F to 104 °F (-13 °F to 104 °F for 120V combined with M80, L170, L30 Softsite, L50 Softsite or L70 Softsite output)

Operating Temperature -40 °F to 104 °F (-13 °F to 104 °F for 120V combined with M80, L170, L30 Softsite, L50 Softsite or L70 Softsite output)

Ingress Protection Rating IP66 (optical chamber)

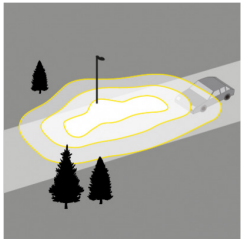
Environment Dry/damp/wet location

Decorative arms (order separately, consult related specification sheets for details)

Compatible decorative arms Side-Mount Decorative Arm: S12-Side Internal (2 3/8 in Tenon) Luminaire Mounting Option with PU2, PU4, PU5, PU8, CS12 and CS13 Arm Style.

Photometric information

Type II, 4000K, CRI 70+



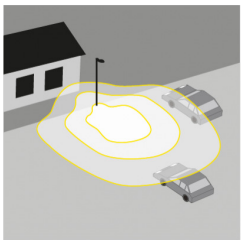
	Nominal output [lm]	Typical delivered output [lm]	Efficiency (lm/W)	BUG Rating			Typical maximum power 120/277V (W)
				B	U	G	
S40	3,744	3,744	121	1	0	1	31
S60	5,803	5,803	106	1	0	1	55
M80	7,675	7,675	120	2	0	2	64
M110	10,483	10,483	114	2	0	2	92
M150	13,852	13,852	105	3	0	3	132
L170	15,537	15,537	106	3	0	3	146
L200	18,664*	18,664*	101	3*	0*	3*	185

Type III, 4000K, CRI 70+



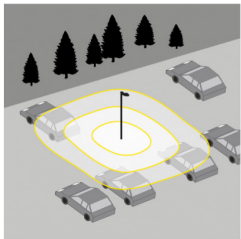
	Nominal output [lm]	Typical delivered output [lm]	Efficiency (lm/W)	BUG Rating			Typical maximum power 120/277V (W)
				B	U	G	
S40	4,229	4,229	136	1	0	1	31
S60	6,555	6,555	119	1	0	2	55
M80	8,669	8,669	136	2	0	2	64
M110	11,841	11,841	129	2	0	2	92
M150	15,647	15,647	119	3	0	3	132
L170	17,550	17,550	120	3	0	3	146
L200	21,078*	21,078*	114	3*	0*	3*	185

Type IV, 4000K, CRI 70+



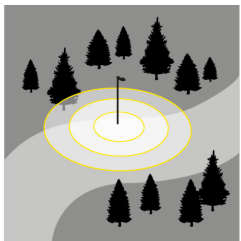
	Nominal output [lm]	Typical delivered output [lm]	Efficiency (lm/W)	BUG Rating			Typical maximum power 120/277V (W)
				B	U	G	
S40	3,813	3,813	123	1	0	1	31
S60	5,910	5,910	108	2	0	2	55
M80	7,816	7,816	122	2	0	2	64
M110	10,676	10,676	116	3	0	3	92
M150	14,108	14,108	107	3	0	3	132
L170	15,824	15,824	108	3	0	3	146
L200	19,002*	19,002*	103	3*	0*	3*	185

Type V square, 4000K, CRI 70+



	Nominal output [lm]	Typical delivered* output [lm]	Efficiency (lm/W)	BUG Rating*			Typical maximum power 120/277V (W)
				B	U	G	
S40	3,972	3,972	128	2	0	1	31
S60	6,230	6,230	113	3	0	1	55
M80	8,360	8,360	131	3	0	2	64
M110	11,474	11,474	125	4	0	2	92
M150	15,148	15,148	115	4	0	3	132
L170	16,829	16,829	115	4	0	3	146
L200	20,366	20,366	110	4	0	3	185

Type V Softsite, 4000K, CRI 70+



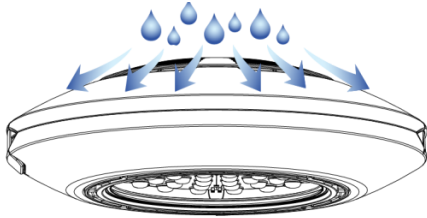
	Nominal output [lm]	Typical delivered* output [lm]	Efficiency (lm/W)	BUG Rating*			Typical maximum power 120/277V (W)
				B	U	G	
L30	2,876	2,876	63	1	0	1	46
L50	5,550	5,550	57	2	0	1	97
L70	7,616	7,616	52	2	0	1	146

*Photometric performance is measured in compliance with IESNA LM-79-08. Due to rapid and continuous advance in LED technology, photometric information is subject to change without notice.

Lumencool™ technology

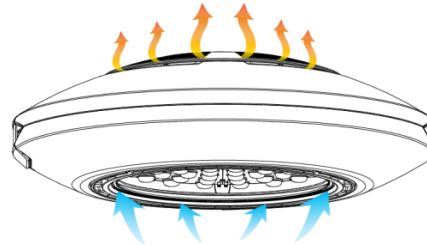
Lumencentro's innovative design uses Lumencool technology to regulate temperature and increase outputs. Lumencentro's allows air to flow between the driver and the LED board, maximising the surface area, increasing output and lifetime.

Water management



Designed to run the rain off, keeping the interior bone dry, while simultaneously letting the heat out.

Heat management

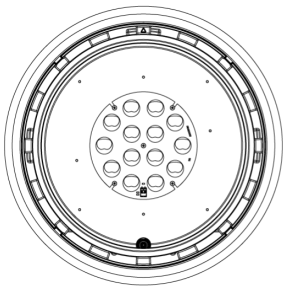


Lumencentro raises the bar on heat management to achieve higher lumen outputs, a longer life, and a better quality of light and efficiency.

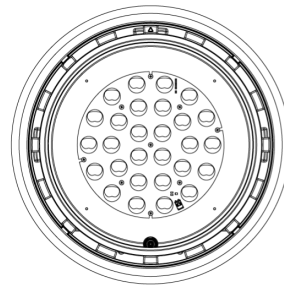
Optical System

LED board size

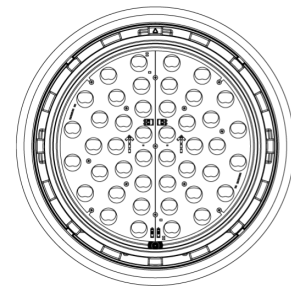
Small (4000lm to 6000lm)



Medium (8000lm to 15000lm)

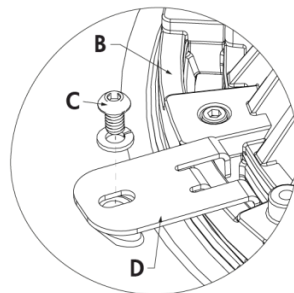
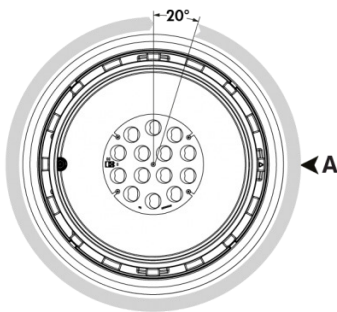


Large (17000lm to 20000lm)



Type V Softsite is available with large LED board only (3000lm to 7000lm).

Rotating Optical System



Increase flexibility and ease alignment with street side on-site with a rotating 20° increments Optical System.

- A - Street Dide
- B - LED Board
- C - (4X) 1/4-20 Bolt with 11/16 Flat Washers and Lock Washers
- D - (4X) Bracket

Backlight shield*



*Small, medium and large LED boards size have the same full coverage backlight shield pieces.

*Backlight shield available with Type II, Type III and Type IV only.

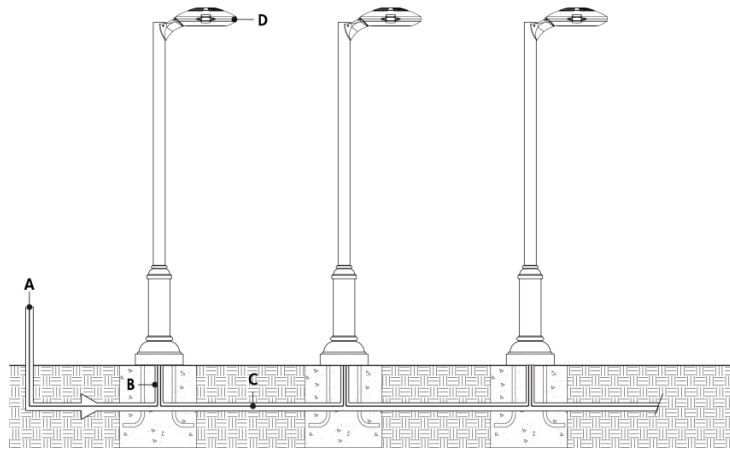
*Backlight shield is factory installed.

Typical wiring diagrams

Wiring color code

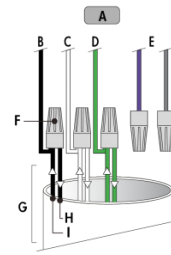
Color	Black	White	Green	Purple	Gray
Use	Line	Line/Neutral	Ground	0 -10V+	0 -10V -

On/Off Control (NO)



- A - Power input (120-480V, wiring by others)
- B - Conduit (by others)
- C - Power wiring (by others)
- D - Pure 100

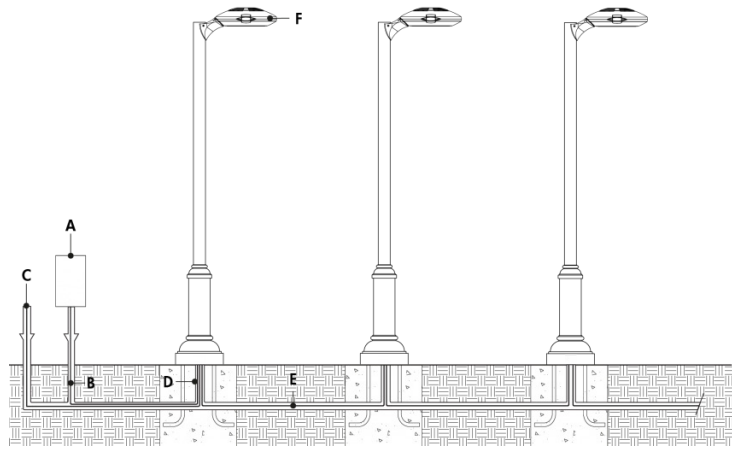
On/Off Control (NO) - wiring detail



- A - To fixture
- B - Line
- C - Line/Neutral
- D - Ground
- E - Not required
- F - Wire-nuts (by others)
- G - Conduit (by others)
- H - To next fixture
- I - Power input or from previous fixture

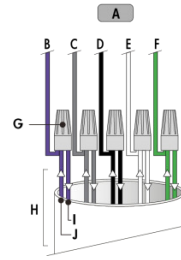
- Consult factory for specific applications and maximum fixture count/cable length recommendations.

0-10V dimming (DIM)



- A - Dimmer (by others)
- B - Data wiring (by others)
- C - Power input (120-480V, wiring by others)
- D - Conduit (by others)
- E - Power and data wiring (by others)
- F - Pure 100

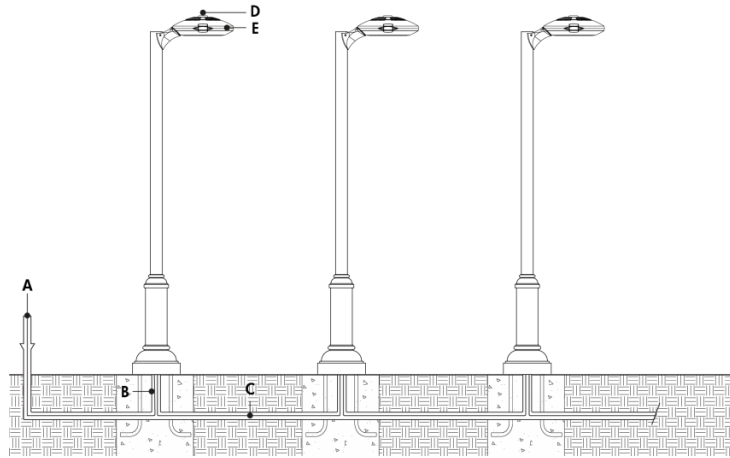
0-10V dimming (DIM) - wiring detail



- A - To fixture
- B - 0-10V +
- C - 0-10V -
- D - Line
- E - Line/Neutral
- F - Ground
- G - Wire-nuts (by others)
- H - Conduit (by others)
- I - To next fixture
- J - Power input and from third party dimmer or from previous fixture

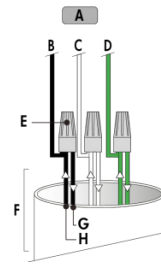
- Consult factory for specific applications and maximum fixture count/cable length recommendations.
- 0-10V mA ratings: passive dimmer (Current Sink): 3mA per fixture, active dimmer (Current Source): 0.5mA per fixture.
- 1% minimum dimming value.

5 pins & 7pins receptacle control (SPR5, SPR7)



- A - Power input (120-480V, wiring by others)
- B - Conduit (by others)
- C - Power wiring (by others)
- D - Photoelectric control
- E - Pure 100







5 pins & 7pins receptacle control (SPR5, SPR7) - wiring detail



- A - To fixture
- B - Line
- C - Neutral
- D - Ground
- E - Wire-nuts (by others)
- F - Conduit (by others)
- G - To next fixture
- H - Power input or from previous fixture

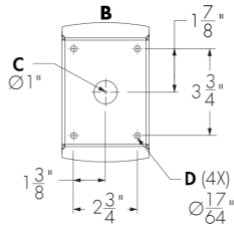
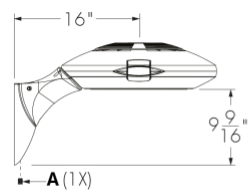
Mounting Options EPA

Values include PUR100 luminaire

	PU1-W1X	PU1-S1X/ PU1-S1X-5	PU1-S1E/ PU1-S1E-5	PU1-S2E/ PU1-S2E-5	PU3-S1E	S12 - Side internal (2 3/8 in tenon)
						
Weight [lbs]	36	33.5	37.3	71	43	Consult Side-Mount Arm S12-Side Internal Luminaire Mounting Option specification sheets for details.
EPA [sq.ft.]	1.01	0.86	1.16	1.46	1.35	

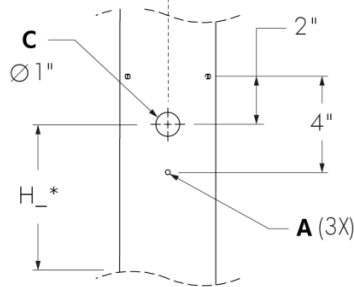
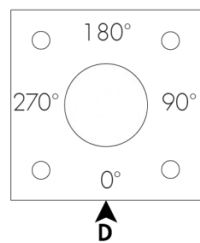
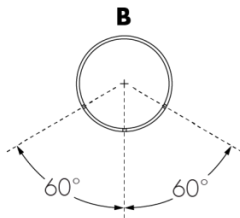
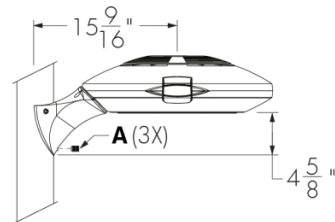
Mounting Option Dimensions

PU1-W1X - Wall Mounted



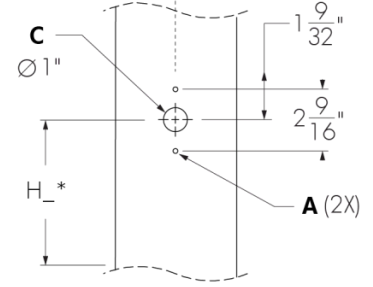
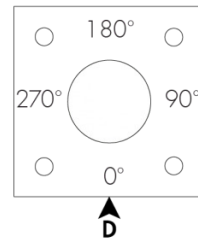
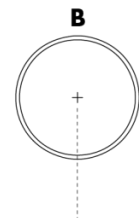
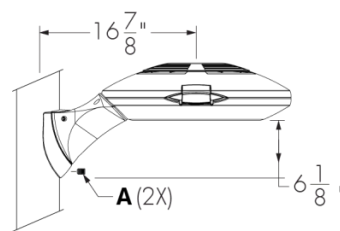
- A** - Ø3/16 Bolt (included with the wall bracket)
- B** - Wall plate (hardware not included, choose an electrical box of appropriate dimensions)
- C** - Wire-Feeding location
- D** - For Ø1/4-20 Bolt (not included)

PU1-S1X - Variable Height Mounting for 4 in Pole



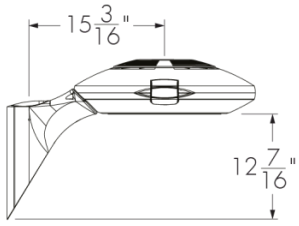
- A** - Ø1/4-20 Bolt (included with decorative arm)
 - B** - Drilling Pattern
 - C** - Wire-Feeding location
 - D** - Access doors and street side. Please specify the orientation of luminaire.
- * Specify the Mounting Height from the ground in 6 in increments.

PU1-S1X-5 - Variable Height Mounting for 5 in Pole

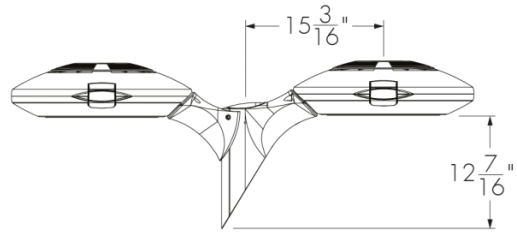


- A** - Ø5-16-18 Bolt (included with decorative arm)
 - B** - Drilling Pattern
 - C** - Wire-Feeding location
 - D** - Access doors and street side. Please specify the orientation of luminaire.
- * Specify the Mounting Height from the ground in 6 in increments.

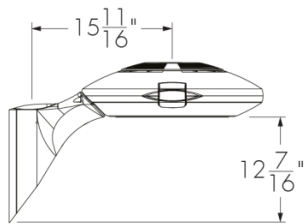
PU1-S1E - Single pole-top mounting for 4 in pole



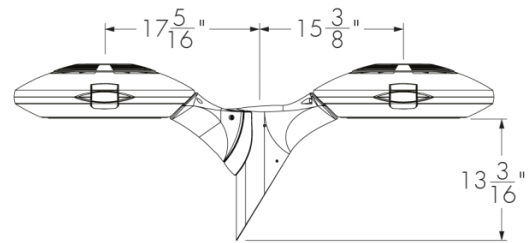
PU1-S2E - Double pole-top mounting for 4 in pole



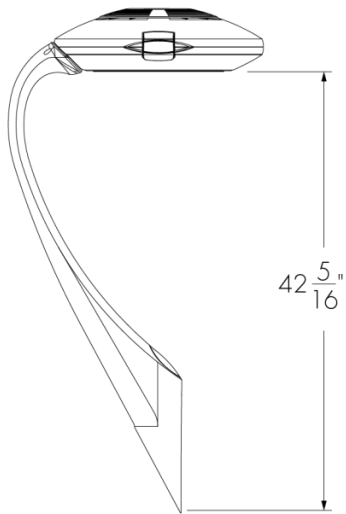
PU1-S1E-5 - Single pole-top mounting for 5 in pole



PU1-S2E-5 - Double pole-top mounting for 5 in pole

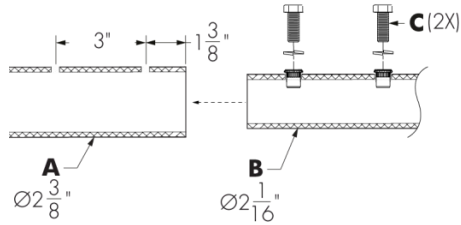


PU3-S1E - Vertical curve Pole-Top Mounting for 4 in Pole



**Luminaire Mounting Option Details -
Luminaire/Arm style Junction**

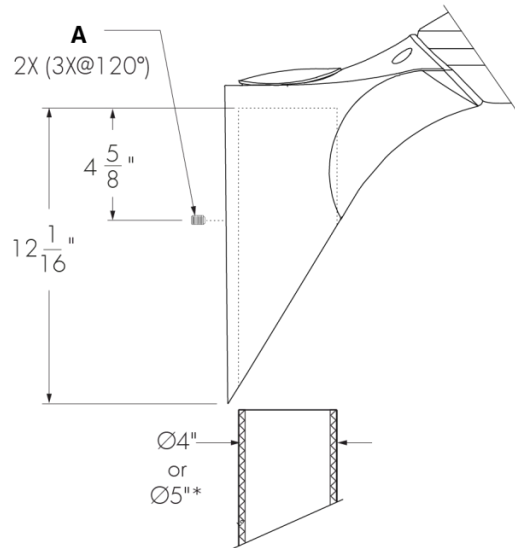
SI2 - Side Internal (2 3/8 in Tenon)



- A - Decorative Arm
- B - Luminaire Adaptor
- C - 1/4-20 Bolts and Lock Washers

**Pole Top Options Details -
Arm Style/Decorative Pole Junction**

PU1 and PU3 Mounting Option details

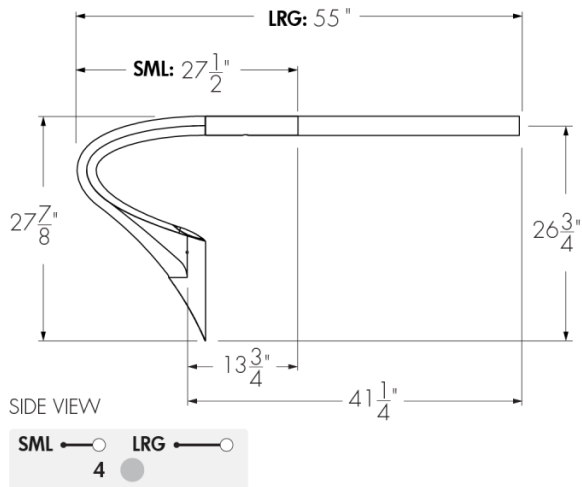


- A - Ø5/16 in Set Screw (included with Pole)

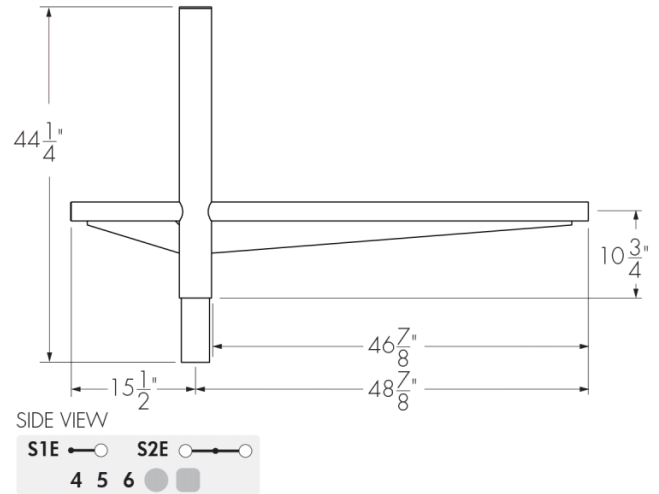
*For PU1 Arm only.

SI2 - Side Internal (2 3/8 in Tenon) Arm Style Dimensions

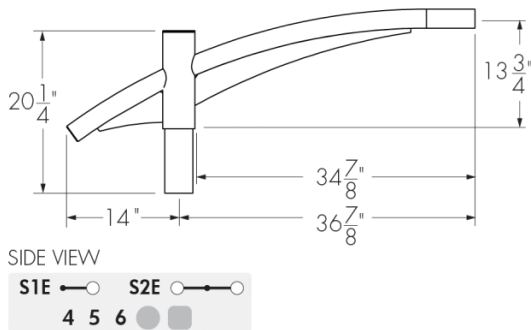
PU2 Arm Style



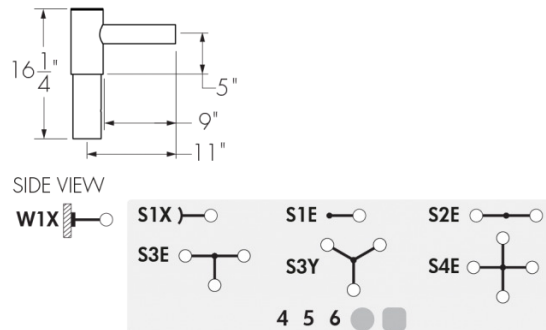
PU4 Arm Style



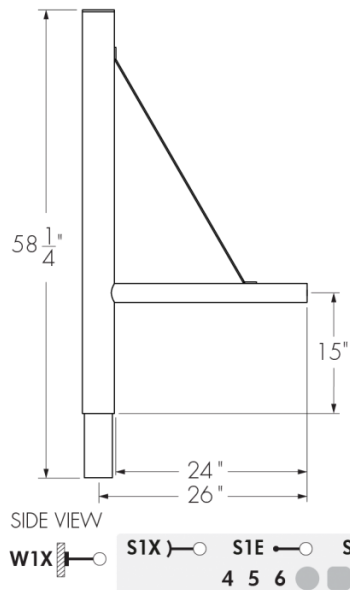
PU5 Arm Style



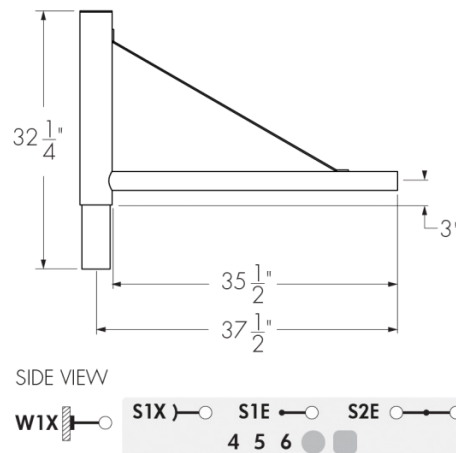
PU8 Arm Style



CS12 Arm Style



CS13 Arm Style



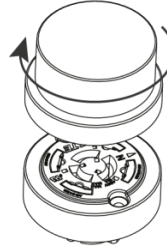
- Mid-pole/mid-luminaire distance is based on 4 in pole (add 1/2 in for 5 in pole and 1 in for 6 in pole).

Options

SPR5 and SPR7 - 5-Pin and 7-Pin Receptacles



SPR5 SC and SPR7 SC - 5-Pin and 7-Pin Receptacles with Shorting Cap



- Dimming receptacle meets ANSI C136.41 Standard

How to order

Housing ⁽¹⁾	Voltage	Lens	Output (nominal lumens)	Color and Color Temperature ⁽⁷⁾	Color Rendering	Distributions	Finish	Control	Options	Mounting Options
PUR100 Pure 100	120 120 volts	CSL Clearsite lens ^{(2) (3)}	S40 4000lm ⁽⁶⁾	22K 2200K ⁽⁸⁾	CRI 70 CRI 70+ ⁽⁹⁾	2 Type II	BK Black Sandtex®	DIM 0-10V dimming ⁽¹⁴⁾	CRC Corrosion-resistant coating ^{(15) (16)} SP Surge protector SPR5 5-Pin Receptacle ⁽¹⁷⁾ SPR5 SC 5-Pin Receptacle with Shorting Cap ⁽¹⁷⁾ SPR7 7-Pin Receptacle ⁽¹⁷⁾ SPR7 SC 7-Pin Receptacle with Shorting Cap ⁽¹⁷⁾	PUI-W1X Wall mount
	208 208 volts		S60 6000lm	27K 2700K ⁽⁸⁾	CRI 80 CRI 80+ ⁽¹⁰⁾	2BLS Type II backlight shield	BRZ Bronze Sandtex®			PUI-S1X PUI-S1X
	240 240 volts	SSL Softsite lens ⁽⁴⁾ ⁽⁵⁾	M80 8000lm	30K 3000K		3 Type III	SI Silver Sandtex®			PUI-S1X-5 Variable height mounting for 5 in pole
	277 277 volts		M110 11 000lm	35K 3500K		3BLS Type III backlight shield	BKTX Textured black			PUI-S1E Single pole-top mounting for 4 in pole
	347 347 volts	M150 15 000lm	40K 4000K		4 Type IV	BRZTX Textured bronze non- metallic	PUI-S1E-5 Single pole-top mounting for 5 in pole			
	480 480 volts	L170 17 000lm	57K 5700K		4BLS Type IV backlight shield	GRATX Textured medium gray	PUI-S2E Double pole- top mounting for 4 in pole			
		L200 20 000lm			5S Type V square	GRNTX Textured green	PUI-S2E-5 Double pole- top mounting for 5 in pole			
		L30 3000lm Softsite ⁽⁵⁾			5 Type V Softsite ⁽⁴⁾	WHTX Textured white	PUI-S2E-5 Double pole- top mounting for 5 in pole			
		L50 5000lm Softsite ⁽⁵⁾				CC Custom color & finish ^{(11) (12)} ⁽¹³⁾	PUI-S1E Vertical curve pole-top mounting for 4 in pole			
		L70 7000lm Softsite ⁽⁵⁾					SI2 Side Internal (2 3/8 in Tenon)			

Notes:

1. Consult Related Products section on webpage for a selection of compatible decorative arms, decorative poles (sold separately).
2. Available with S40, S60, M80, M110, M150, L170 and L200 output options only.
3. Available with types 2, 2BLS, 3, 3BLS, 4, 4BLS and 5S distribution only.
4. Available with L30, L50 and L70 output options only.
5. Available with type 5 distribution only.
6. Available up to 277V.
7. Consult factory for more color temperature options.
8. Available for CRI 80 only.
9. Binning within a 3-step MacAdam ellipse, with the exception of 5700K.
10. Binning within a 2-step MacAdam ellipse, with the exception of 2200K and 5700K.

11. Specify RAL number followed by "TX" for textured finish (ex: RAL9007TX) or STX for Sandtex finish (ex: RAL9007STX). Textured or Sandtex finishes are recommended for the durability of all products. If a finish is not specified with the RAL number (ex: RAL9007), a glossy finish will be provided. Please consult factory for other RAL textures and glosses, or to match alternate color charts. Final color matching results may vary.
12. Setup charges apply for RAL colors. Consult factory for details.
13. Longer lead times can be expected for custom RAL color finishes.
14. DIM control can be used as NO (On/off control) if no data is required.
15. Use only when exposed to salt spray. This option is not required for normal outdoor exposure.
16. Setup charges apply. Consult factory for details.
17. Only one receptacle can be specified per fixture.