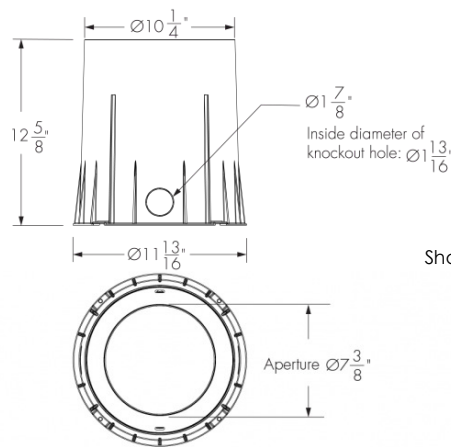


Project Name _____ Qty _____

Type _____ Catalog / Part Number _____



Front view
Shown with FLN trim type

Top view

Photometric Summary

Direct View

Delivered output (lm)	Intensity (peak cd)
498	175

Based on RGBW40K full output, DMX/RDM configuration. Power consumption: 33 W for RGB, 35W for RGBW30K, RGBW40K and RGBA.

Photometric performance is measured in compliance with IESNA LM-79-08.

Optic



Direct view

Colors and Color Temperatures



Controls



Construction



WO - Walk over



DO - Drive over

Trim Finishes



SSB - Brushed Stainless Steel



SSP - Polished Stainless Steel

Description

The Lumenbeam Inground Large Direct View Colour Changing is a high-performance, ground-recessed LED projector offering RGB, RGBW, or RGBA colour mixing, as well as Legacy or Custom output modes. Designed to solve a range of inground lighting challenges with a choice of trim and control options, the plug and play design simplifies installation, protecting the system from water infiltration and ensuring long-lasting performance. Built with robust, high-quality materials that are resistant to harsh environments, the Lumenbeam Inground Large delivers L70 LED lifetimes up to 79,000 hours, has a Drive-Over rating of 5000kg, IK10 glass lens, and an IP68 factory-sealed optical chamber.

Features

Construction	Walk over compliant up to 1000 kg in any type of ground, Drive over compliant up to 5000 kg in concrete
Color and Color Temperature	RGB, RGB + white 3000K, RGB + white 4000K, RGB + amber
Lens	Opal lens
Trim Type	Flush trim with hardware, Flush trim no hardware, Bevel edge trim with hardware, Bevel edge trim no hardware
Blockout	Recessed blockout, Recessed blockout with mounting brackets
Options	Anti-slip lens
Power Consumption	33 W for RGB, 35 W for RGBW30K, RGBW40K and RGBA
Warranty	5-year limited warranty

Performance

Maximum Delivered Output	413 lm (RGB full output, DMX/RDM), 488 lm (RGBW30K full output, DMX/RDM), 498 lm (RGBW40K full output, DMX/RDM), 399 lm (RGBA full output, DMX/RDM)
---------------------------------	---

Options



Anti-slip lens

Ratings

IP68 IK10

Certifications



Maximum Delivered Intensity	145 cd at nadir (RGB full output, DMX/RDM), 171 cd at nadir (RGBW30K full output, DMX/RDM), 175 cd at nadir (RGBW40K full output, DMX/RDM), 140 cd at nadir (RGBA full output, DMX/RDM)
------------------------------------	---

Lumen Maintenance	L70 79,000 hrs (Ta 25 °C), L70 77,000 hrs (Ta 40 °C)
--------------------------	--

Physical

Optical Chamber Material	Brass for walk-over and drive-over construction in harsh environments
---------------------------------	---

Blockout Material	Fiberglass reinforced polymer
--------------------------	-------------------------------

Lens Material	Tempered glass
----------------------	----------------

Hardware Material	Stainless steel
--------------------------	-----------------

Gasket Material	Silicone
------------------------	----------

Trim Finish	Brushed stainless steel, Polished stainless steel
--------------------	---

Weight	23 lbs
---------------	--------

Electrical and control

Voltage	120-277 volts, 220-240 volts
----------------	------------------------------

Leader Cable Conductor	6C #14-3/ #24-3
-------------------------------	-----------------

Leader Cable Connector	IP68 6-pin push-lock
-------------------------------	----------------------

Control	DMX/RDM enabled, DALI-2 dimming Type 8
----------------	--

Resolution (DMX/RDM)	Per fixture, 8-bit or 16-bit, 3 channels (RGB) or 4 channels (RGBW30K, RGBW40K and RGBA)
-----------------------------	--

RGB Color Mixing	12 LEDs (4x Red, 4x Green, 4x Blue)
-------------------------	-------------------------------------

RGBW30K Color Mixing	12 LEDs (3x Red, 3x Green, 3x Blue, 3x White 3000K)
-----------------------------	---

RGBW40K Color Mixing	12 LEDs (3x Red, 3x Green, 3x Blue, 3x White 4000K)
-----------------------------	---

RGBA Color Mixing	12 LEDs (3x Red, 3x Green, 3x Blue, 3x Amber)
--------------------------	---

Environmental

Storage Temperature	-40 °F to 185 °F (device must reach start-up temperature value before operating)
----------------------------	--

Start-up Temperature	-13 °F to 104 °F
-----------------------------	------------------

Operating Temperature	-40 °F to 122 °F
------------------------------	------------------

Ingress Protection Rating	IP68 (submerged up to 3.3 ft for up to 24 hours), not suitable for permanent immersion applications
----------------------------------	---

Impact Resistance Rating	IK10
---------------------------------	------

Environment	Wet location
--------------------	--------------

Accessories (order separately)

Cables	3 Conductor Power and 3 Conductor Data Leader Cable with Connector, 3 Conductor Power and 3 Conductor Data Cable
---------------	--

Electrical Accessories	Large Junction Box for Lumenbeam Inground
-------------------------------	---

Control Boxes	DMX/RDM enabled (daisy chain or star configuration), Ethernet enabled (daisy chain or star configuration)
Control Systems	Lumentone™ 2 (LTN2), Pharos® kit (PHAROS)
Diagnostic and Addressing Tools	LumenID (LID)

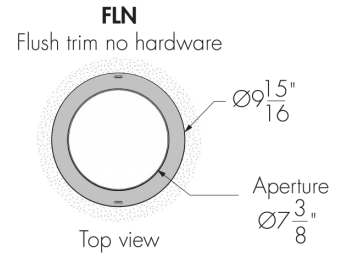
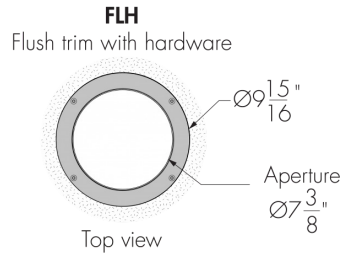
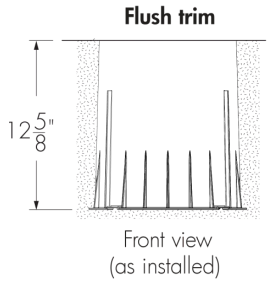
Construction details

	WO - Walk over compliant up to 1000kg
Trim type	All trim options are suitable (FLH, FLN, BVH and BVN)
Ground type	Installed in sand, soft soil, compacted soil, pavement or concrete

	DO - Drive over compliant up to 5000kg
Trim type	Only trim options with visible hardware are suitable (FLH and BVH)
Ground type	Installed in concrete

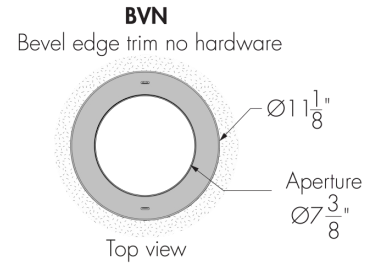
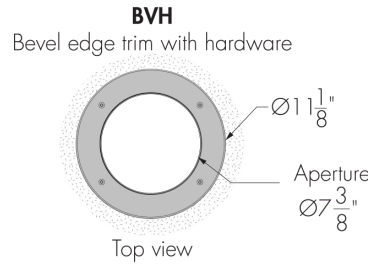
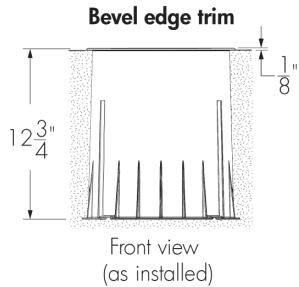
Trim type

Flush trim



Only trims with hardware are drive-over compliant.

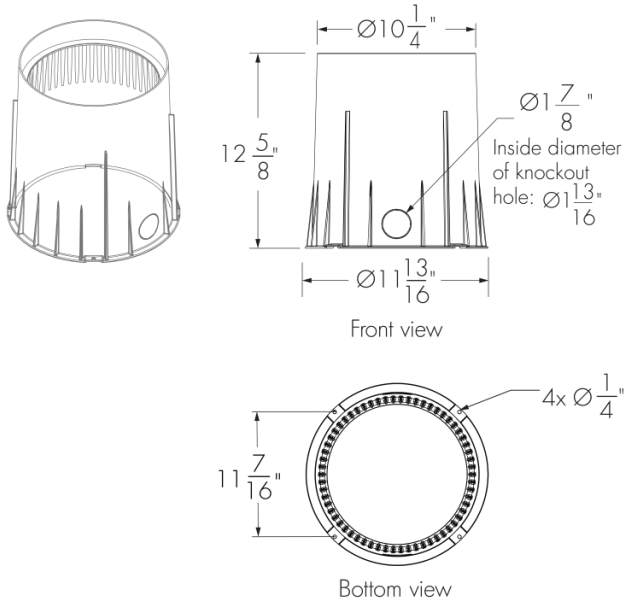
Bevel edge trim



Blockout

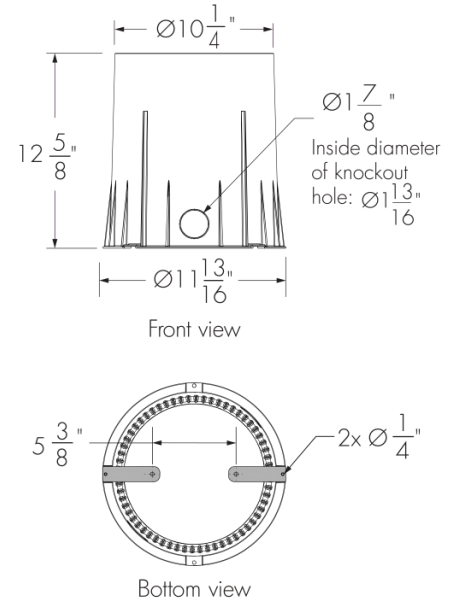
RBO - Recessed Blockout

RBO - Recessed blockout

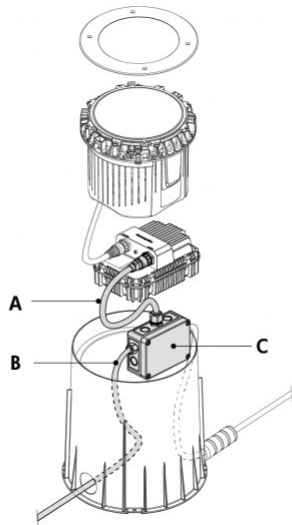


RBM - Recessed Blockout with Mounting Brackets

RBM - Recessed blockout with mounting brackets



Overview - cables and accessories



A - 3P3DLC: 3 Conductor Power and 3 Conductor Data Leader Cable with Connector

B - 3P3DC: 3 Conductor Power and 3 Conductor Data Cable

C - LBI-JBOX-L: Large Junction Box for Lumenbeam Inground (required for continuous runs and DMX/RDM daisy chain layouts)

Refer to typical wiring diagrams for details.

Cables (order separately)

3P3DLC - 3 Conductor Power and 3 Conductor Data Leader Cable with Connector



CERTIFICATION: UL or CE
LENGTH: 10 ft, 25 ft or 50 ft

- Sealing endcap is mandatory for all unused connectors. One (1) included with every leader cable.
- Consult 3P3DLC specification sheet for details.

3P3DC - 3 Conductor Power and 3 Conductor Data Cable



CERTIFICATION: UL or CE
LENGTH: 50 ft, 100 ft, 150 ft, 200 ft or complete spool of cable 250 ft

Electrical accessories (order separately)

LBI-JBOX-L - Large Junction Box for Lumenbeam Inground (required for continuous runs and DMX/RDM daisy chain layouts)



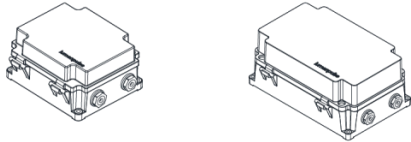
Included

- 1x Junction box with 16 in 3P3DLC cable whip
- 4x Strain reliefs
- 1x IP68 insulating resin
- 1x Sealing cap

Refer to LBI-JBOX-L installation instructions for details.

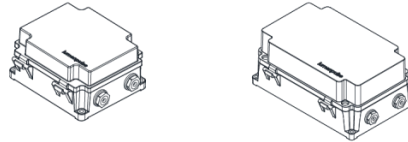
Control boxes (order separately)

CBX-DMX/RDM - DMX/RDM enabled (daisy chain or star configuration)



DMX/RDM control box. Up to six power and data outputs to fixtures or fixture runs. Consult CBX specification sheet and installation instructions for details. Lumenterminators provided with CBX (2x for daisy chain configuration, 6x for star configuration), consult factory to order spares.

CBX-ENET - Ethernet enabled (daisy chain or star configuration)



Ethernet control box. Up to four power and data outputs to fixture or fixture runs. Consult Ethernet CBX specification sheet and installation instructions for details.

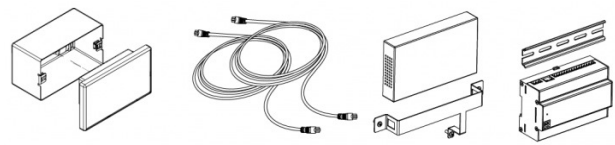
Control systems (order separately)

LTN2 - Lumentone™ 2



Lumentone 2 is a simple pre-programmed DMX 512 controller with a push button rotary dial and live feedback.

PHAROS - Pharos® kit



The Pharos kit, available for 1 or 2 DMX universes, allows for complete control of large lighting installations. 2 DMX universes kit shown.

Diagnostic and addressing tools (order separately)

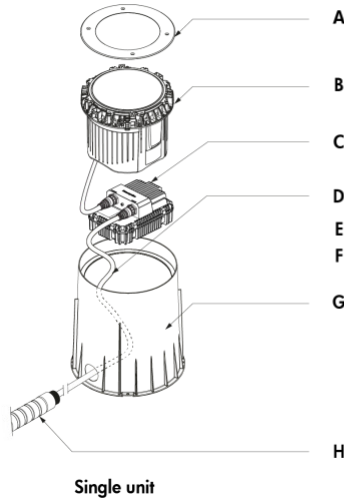
LID - LumenID



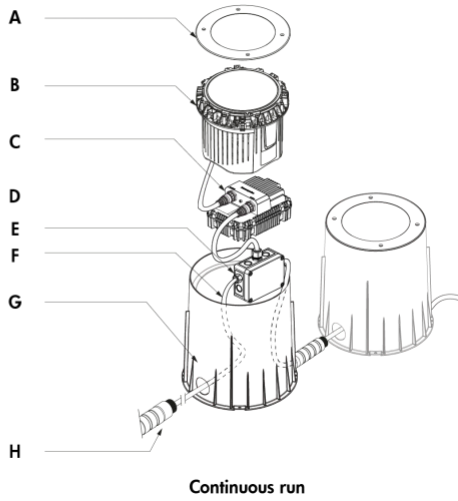
LumenID is a diagnostic and addressing DMX/RDM tool. It must be specified on all DMX applications. Consult LID specification sheet for details.

Typical wiring diagrams

Typical Installation with Leader Cable

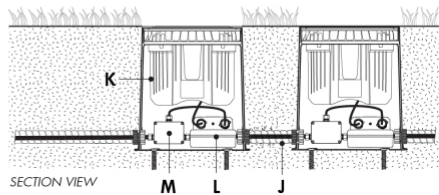
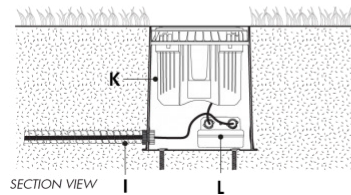
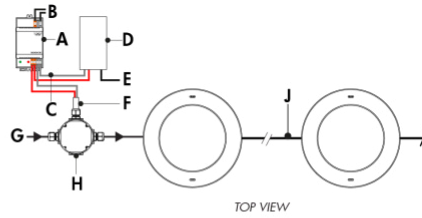
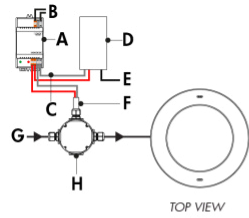


Typical Installation with LBI-JBOX-L Accessory



- A - Trim
- B - Optical chamber (LBILC)
- C - Power and Control Box (PCBX)
- D - 3 Conductor Power and 3 Conductor Data Leader Cable with Connector (3P3DLC)
- E - Large Junction Box for Lumenbeam Inground (LBI-JBOX-L)
- F - 3 Conductor Power and 3 Conductor Data Cable (3P3DC) from Lumenpulse or cable by others
- G - Blockout (RBO or RBM)
- H - Conduit (by others)

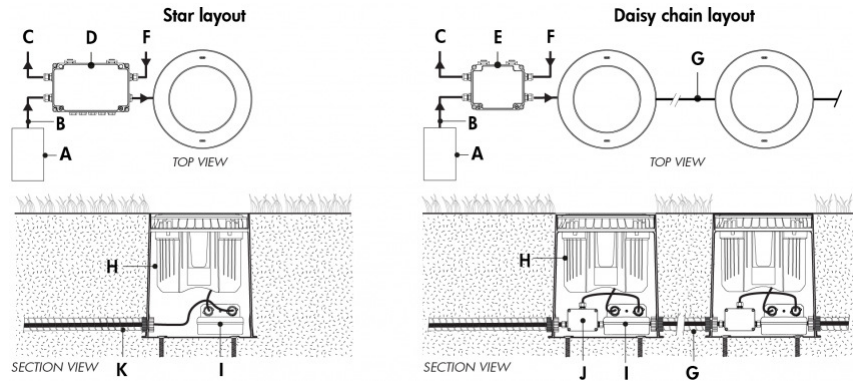
DALI-2 dimming Type 8 (DALI8)



- A - DALI bus power supply (by others)
- B - Power input for DALI bus power supply (wiring by others)
- C - To DALI controller (by others)
- D - DALI controller (by others)
- E - Power input for DALI controller (if required, wiring by others)
- F - Data output to fixture
- G - Power input (120-277V, wiring by others)
- H - Junction box (by others)
- I - 3 Conductor Power and 3 Conductor Data Leader Cable with Connector (3P3DLC)
- J - 3 Conductor Power and 3 Conductor Data Cable (3P3DC) from Lumenpulse or cable by others
- K - Optical chamber (LBILC)
- L - Power and Control Box (PCBX)
- M - Large Junction Box for Lumenbeam Inground (LBI-JBOX-L)

- Consult factory for specific applications and maximum fixture count/cable length recommendations.
- Maximum of 64 DALI fixtures per DALI loop.
- The Lumenbeam Inground Large responds to RGBWAF controls.
- Commissioning may be required based on the selection of 3rd party DALI controller. Controller and commissioning provided by others.
- Refer to Photometric Summary table for wattage information.

DMX/RDM enabled (DMX/RDM)



- A** - DMX/RDM controller (order separately from Lumenpulse, or by others)
- B** - Data input (Belden 9841 or equivalent, by others)
- C** - Data output to next CBX (optional, not isolated/not boosted)
- D** - CBX-ST
- E** - CBX-DS
- F** - Power input (120-277V, wiring by others)
- G** - 3 Conductor Power and 3 Conductor Data Cable (3P3DC) from Lumenpulse or cable by others
- H** - Optical chamber (LBILC)
- I** - Power and Control Box (PCBX)
- J** - Large Junction Box for Lumenbeam Inground (LBI-JBOX-L)
- K** - 3 Conductor Power and 3 Conductor Data Leader Cable with Connector (3P3DLC)

Maximum fixture count

Configuration/Voltage	120V	208V	240V	277V
LBIL (Maximum number of fixtures per run)	28	32	32	32

Based on 15A maximum, 14AWG cable, fixtures spaced 10 ft on center, first fixture 50ft from CBX.

- Refer to CBX installation instructions for additional wiring details.
- Consult factory for specific applications and maximum fixture count/cable length recommendations.
- The DMX/RDM protocol states a maximum of 32 DMX/RDM enabled fixtures on any single run. Maximum of 4 DMX/RDM repeaters/CBX cascading in line. Each fixture requires 1 DMX address. Maximum of 1 output per CBX-DS. Maximum of 6 outputs per CBX-ST.
- Refer to Photometric Summary table for wattage information.
- DMX terminator is required at the end of each run to maintain data integrity. (2x) DMX lumenterminators included per CBX-DS, (6x) included per CBX-ST. See installation instructions for details.

How to order

Housing ⁽¹⁾	Construction	Voltage	Color and Color Temperature	Control	Trim Type	Trim Finish	Blockout	Options	Environment	Certification
LBILD Lumenbeam Inground Large Direct View ⁽²⁾	WO Walk over	120/277 120-277 volts ⁽⁴⁾	RGB RGB	DMX/RDM DMX/RDM enabled ⁽⁷⁾	FLH Flush trim with hardware	SSB Brushed stainless steel	RBO Recessed blockout	ASL Anti-slip lens	HRS Standard brass material suitable for harsh environments	UL UL compliant CE CE compliant ⁽¹⁰⁾
	DO Drive over ⁽³⁾	220/240 220-240 volts ⁽⁵⁾	RGBW30K RGB + white 3000K ⁽⁶⁾	DALIT8 DALI-2 dimming Type 8 ⁽⁸⁾	FLN Flush trim no hardware ⁽⁹⁾	SSP Polished stainless steel	RBM Recessed blockout with mounting brackets			
			RGBW40K RGB + white 4000K ⁽⁶⁾		BVH Bevel edge trim with hardware					
			RGBA RGB + amber		BVN Bevel edge trim no hardware ⁽⁹⁾					

Notes:

1. A Lumenbeam Inground fixture includes one optical chamber (LBILD), one Power and Control Box (PCBX), one recessed blockout with temporary blockout cover (RBO or RBM) and one trim (FLH, FLN, BVH or BVN). The LBILD and PCBX are provided according to the optic and control configuration.
2. Consult factory for products that are BAA-approved (Buy American Act).
3. A trim option with hardware (FLH or BVH) must be specified for DO construction.
4. Available for UL certification only.
5. Available for CE certification only.
6. 2700K, 3500K and Royal Blue available, consult factory. Longer lead times apply.
7. A control box (CBX) and LumenID (LID) must be specified.
8. DALI-2 Type 8 controller required, provided by others.
9. Not available for DO construction.
10. Consult European specification sheet and installation instructions for CE wiring information.