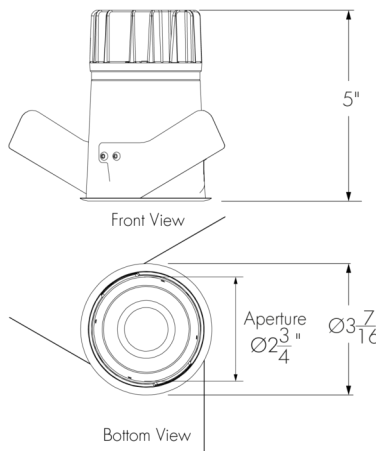


Project Name _____ Qty _____

Type _____ Catalog / Part Number _____



DF1R and DF1S Housings Shown

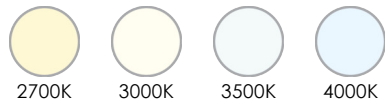


DF1R Housing Shown

Photometric Summary

Consult the Photometric Information section of the Specification Sheet for 3000K CRI 92 data. For all other configurations, consult IES files on the Lumenpulse website.

Color and Color Temperature



Color Rendering

CRI 92 CRI 98

Control

ON/OFF 0-10V Phase Dimming

Finish



Description

Fixed yet flexible, the DARK FIX Compact has a complete set of optical choices for multiple applications. Play with beam spreads, finishes, trim/trimless options, and accessories. These luminaires are typically used in environments where very low glare (UGR <10) is preferred to create an exclusive ambiance and are perfect for hospitality, restaurants, hotels, bars, high-end retail, or specific areas in workplace environments.

Features

Trim Shape

TR: Trim
TRL: Trimless

Output (Nominal Lumens)

L05: 500 lm
L07: 700 lm
L10: 1000 lm
L13: 1300 lm
L20: 2000 lm

Color and Color Temperature

27K: 2700K
30K: 3000K
35K: 3500K
40K: 4000K

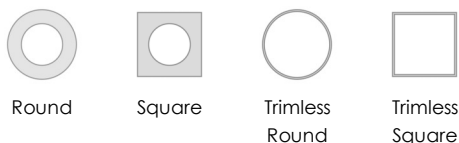
Finish

MWHTX: Matte White Txt
MBKTX: Matte Black Txt
CGY: Concrete Grey
GTX: Gold Txt
CTX: Copper Txt

Optic (Nominal Distribution)

NS: Narrow Spot 12°
ENS: Elliptical Narrow Spot 54° x 12°
S: Spot 15°
NF: Narrow Flood 25°
FL: Flood 35°
WFL: Wide Flood 40°
EWFL: Elliptical Wide Flood 47° x 72°

Trim Shape



Certifications



Installation Type	RM: Remodel Non-Insulated Ceiling (Non-Plenum Rated) NC: New Construction Non-Insulated Ceiling (Non-Plenum Rated) IC: Insulation Contact Mounting (Can be Used for Plenum Contact, and Air-Tight Mounting Box Applications)
--------------------------	---

Optical Accessories	Various optical accessories available, see Optical Accessories Section for details
----------------------------	--

Warranty	5-year: 5-year limited warranty
-----------------	--

Performance

Maximum Delivered Output	Up to 2,523 lm (L20, CRI 92, 40K, NF)
---------------------------------	---------------------------------------

Maximum Delivered Intensity	41,024 cd at nadir (L13, CRI 92, 40K, NS)
------------------------------------	---

Efficacy	Up to 100 lm/W (L10, CRI 92, 40K, NF and FL)
-----------------	--

Color Rendering	92: CRI 92 98: CRI 98
------------------------	--

Color Consistency	2 SDCM
--------------------------	--------

Lumen Maintenance	L70 120,000 hours L95 19,000 hours
--------------------------	---------------------------------------

UGR	Optical configurations available to achieve <10 UGR. See IES files for performance data based on exact configurations.
------------	--

Physical

Housing Material	Die cast aluminum
-------------------------	-------------------

Optics Material	Polymethyl methacrylate (PMMA)
------------------------	--------------------------------

Accessory Material	Nylon PA12 (accessory primary ring, and frame only)
---------------------------	---

Cutout	DF1R Housing With Round Trim and Round Cutout Shape: Ø3.25 inches (Ø82mm) DF1R Housing, Trimless: Round Cutout Shape, Ø3.75 inches (Ø95mm) DF1S Housing With Square Trim, and Trimless: Round Cutout Shape, Ø3.86 inches (Ø98mm) See installation instructions for details
---------------	---

Ceiling Thickness	0.2 in to 0.71 in
--------------------------	-------------------

Weight	DF1R Housing With Trim: 1.52 lbs (fixture only) DF1R Housing, Trimless: 1.57 lbs (fixture only) DF1S Housing With Trim: 1.9 lbs (fixture only) DF1S Housing, Trimless: 1.94 lbs (fixture only) 0.77 lbs (RM Installation Type only) 1.65 lbs (NC Installation Type only) 5.07 lbs (IC Installation Type only) For total weight, combine weight of fixture and weight of installation type
---------------	--

Electrical and Control

Voltage	120/277: 120/277 Volts
----------------	-------------------------------

Wattage Range	10.3 to 29.6 Watts
----------------------	--------------------

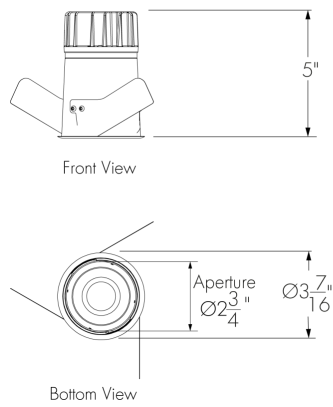
Control	NO: On/Off Control
	DIM: 0-10V Dimming 1%
	PH: Phase Dimming 1%

Environmental

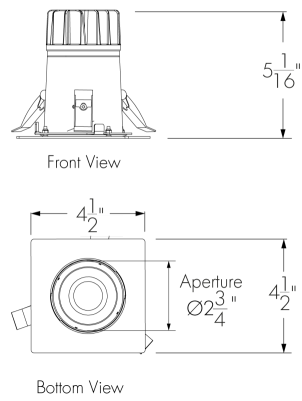
Ingress Protection Rating	IP40
Environment	Damp location (interior applications only)
Operating Temperature (Ceiling Cavity Ambient Temperature)	14 °F to 104 °F

Dimensions

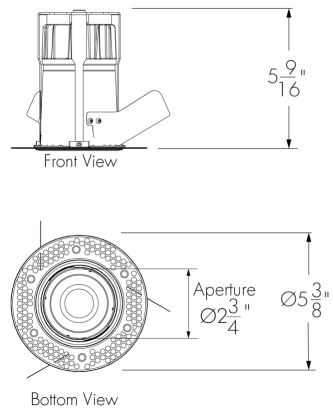
DF1R Housing With Trim



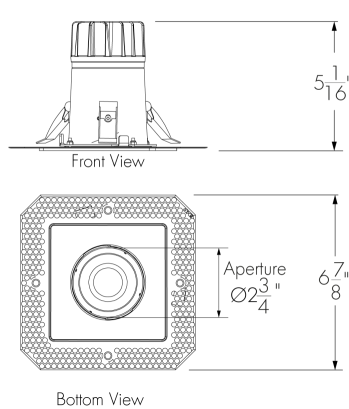
DF1S Housing With Trim



DF1R Housing Trimless

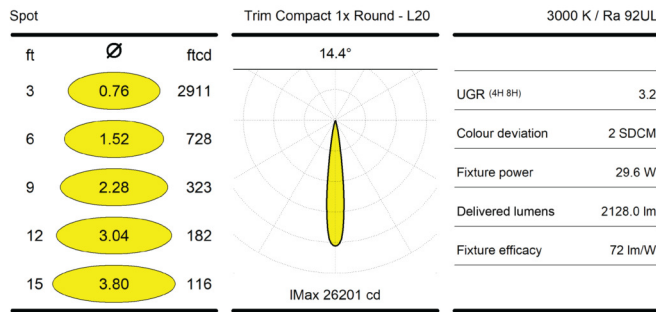


DF1S Housing Trimless

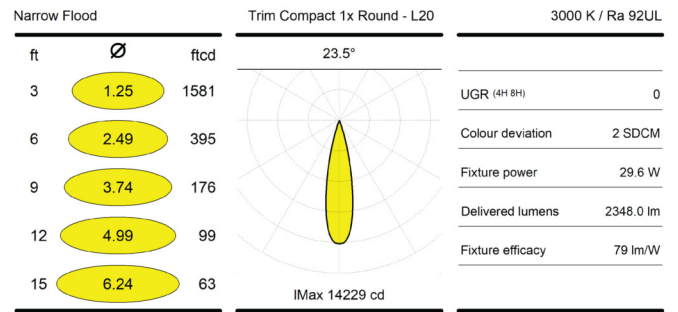


Photometric Information

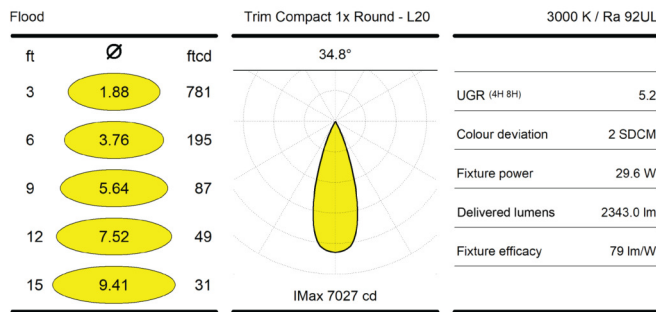
Spot, L20, 3000K, CRI 92



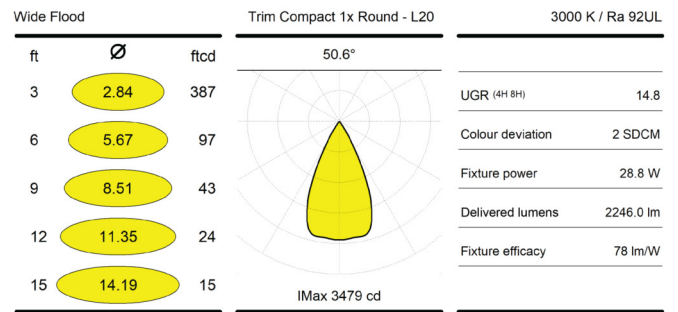
Narrow Flood, L20, 3000K, CRI 92



Flood, L20, 3000K, CRI 92



Wide Flood, L20, 3000K, CRI 92



The photometric data shown is for one fixture head.

For all other configurations, consult IES files on the Lumenpulse website.

Optical Accessories

HL - Honeycomb



EL - Elliptical Lens



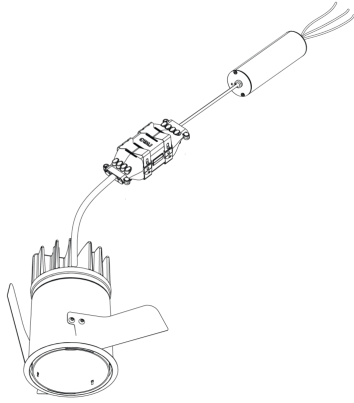
DF - Diffusing Filter



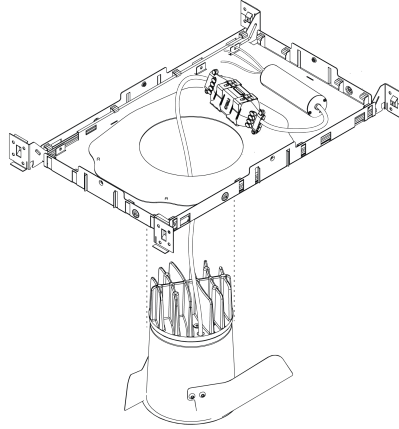
Factory installed.

Installation Types

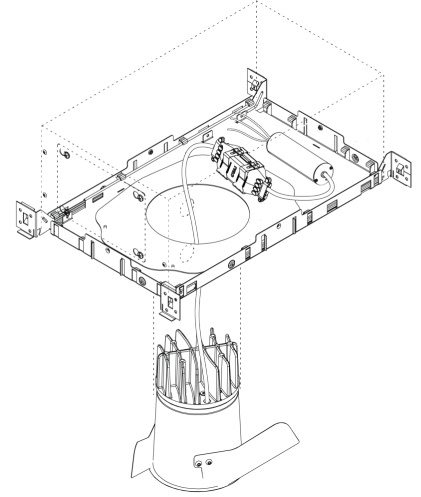
**RM: Remodel Non-Insulated Ceiling
(Non-Plenum Rated)**



**NC: New Construction Non-Insulated Ceiling
(Non-Plenum Rated)**



IC: Insulation Contact Mounting



DF1R Housing Shown.

Refer to installation instructions for more details.

How to Order

Housing	Trim Shape	Size	Voltage	Control	Output (Nominal Lumens)	Finish	Color Rendering	Color and Color Temperature	Optic (Nominal Distribution)	Installation Type	Accessories ⁽¹³⁾
DF1R DARK FIX 1x Round DF1S DARK FIX 1x Square	TR Trim	C Compact	120/277 120/277 Volts	NO On/Off Control	L05 500 lm ⁽²⁾	MWHTX Matte White Txt	92 CRI 92	27K 2700K	NS Narrow Spot 12° ^{(4) (7)}	RM Remodel Non-Insulated Ceiling (Non-Plenum Rated)	NA No accessory
	TRL Trimless			DIM 0-10V Dimming 1% PH Phase Dimming 1% ⁽¹⁾	L07 700 lm ⁽³⁾ L10 1000 lm ⁽⁴⁾ L13 1300 lm ⁽⁴⁾ L20 2000 lm ⁽⁵⁾	MBKTX Matte Black Txt CGY Concrete Grey GTX Gold Txt CTX Copper Txt	98 CRI 98	30K 3000K 35K 3500K 40K 4000K	ENS Elliptical Narrow Spot 54° x 12° ^{(8) (9)} S Spot 15° ⁽¹⁰⁾ NF Narrow Flood 25° ⁽¹¹⁾ FL Flood 35° ⁽¹¹⁾ WFL Wide Flood 40° ^{(7) (10)} EWFL Elliptical Wide Flood 47° x 72° ^{(9) (12)}		

Notes:

- 1. Phase dimming (PH) is only compatible with 120V power.
- 2. Available for ENS optic only.
- 3. Available for NS, ENS and EWFL optics only.
- 4. Available for all optics, except ENS optic.
- 5. Available for S, NF, FL and WFL optics only.
- 6. When NS optic is combined with RM or NC installation types, only L10 and L13 lumen outputs are available. When NS optic is combined with IC installation type, only L07 and L10 lumen outputs are available.
- 7. Not available for EL accessory.
- 8. When ENS optic is combined with RM and NC installation types, only L07 lumen output is available. When ENS optic is combined with IC installation type, only L05 and L07 lumen outputs are available.
- 9. Cannot be combined with accessories.
- 10. When S or WFL optic is combined with RM and NC installation types, only L10, L13 and L20 lumen outputs are available. When S or WFL optic is combined with IC installation type, only L10 and L13 lumen outputs are available.
- 11. When NF or FL optic is combined with RM or NC installation types, only L10, L13 and L20 lumen outputs are available. When NF or FL optic is combined with IC installation type, only L10 and L20 lumen outputs are available.
- 12. When EWFL optic is combined with RM or NC installation types, only L07, L10 and L13 lumen outputs are available. When EWFL optic is combined with IC installation type, only L07 and L13 lumen outputs are available.
- 13. Factory installed.
- 14. Available with NS, S, NF, FL and WFL optics only.
- 15. Available with S, NF and FL optics only.