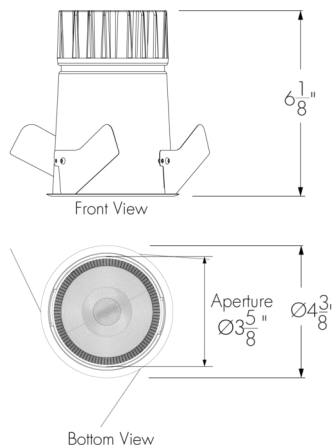


Project Name _____ Qty _____

Type _____ Catalog / Part Number _____



DF1R and DF1S Housings Shown



DF1R Housing Shown

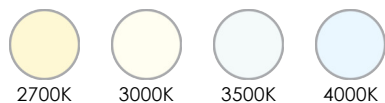
Photometric Summary

Consult the Photometric Information section of the Specification Sheet for 3000K CRI 92 data. For all other configurations, consult IES files on the Lumenpulse website.

Optic

Narrow Spot	Elliptical Narrow Spot	Spot	Narrow Flood	Flood
Wide Flood	Elliptical Wide Flood	Low Contrast Flood	Low Contrast Wide Flood	Low Contrast Elliptical Flood

Color and Color Temperature



Color Rendering

CRI 92	CRI 98
--------	--------

Control

ON/OFF 0-10V Phase Dimming

Description

Fixed yet flexible, the DARK FIX Max has a complete set of optical choices for multiple applications. Play with beam spreads, finishes, trim/trimless options, and accessories. These luminaires are typically used in environments where very low glare (UGR <10) is preferred to create an exclusive ambiance and are perfect for hospitality, restaurants, hotels, bars, high-end retail, or specific areas in workplace environments.

Features

Trim Shape

TR: Trim
TRL: Trimless

Output (Nominal Lumens)

L03: 300 lm
L04: 400 lm
L05: 500 lm
L07: 700 lm
L10: 1000 lm
L13: 1300 lm
L20: 2000 lm
L30: 3000 lm
L35: 3500 lm

Color and Color Temperature

27K: 2700K
30K: 3000K
35K: 3500K
40K: 4000K

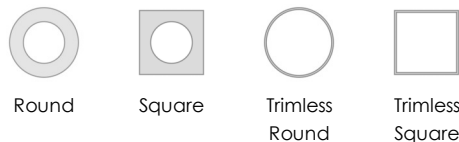
Optic (Nominal Distribution)

NS: Narrow Spot 12°
ENS: Elliptical Narrow Spot 54° x 12°
S: Spot 15°
NF: Narrow Flood 25°
FL: Flood 35°
WFL: Wide Flood 40°
EWFL: Elliptical Wide Flood 47° x 72°
LCFL: Low Contrast Flood 40°
LCWFL: Low Contrast Wide Flood 55°
LCENF: Low Contrast Elliptical Narrow Flood 20° x 40°

Finish



Trim Shape



Certifications



Finish	<p>MWHTX: Matte White Txt MBKTX: Matte Black Txt CGY: Concrete Grey GTX: Gold Txt CTX: Copper Txt</p>
Installation Type	<p>RM: Remodel Non-Insulated Ceiling (Non-Plenum Rated) NC: New Construction Non-Insulated Ceiling (Non-Plenum Rated) IC: Insulation Contact Mounting (Can be Used for Plenum Contact, and Air-Tight Mounting Box Applications)</p>
Optical Accessories	Various optical accessories available, see Optical Accessories Section for details
Warranty	5-year limited warranty
Performance	
Maximum Delivered Output	Up to 4,216 lm (L35, CRI 92, 40K, FL)
Maximum Delivered Intensity	56,928 cd at nadir (L20, CRI 92, 40K, NS)
Efficacy	Up to 115 lm/W (L13, CRI 92, 40K, FL)
Color Rendering	<p>92: CRI 92 98: CRI 98</p>
Color Consistency	2 SDCM
Lumen Maintenance	<p>L70 120,000 hours L95 19,000 hours</p>
UGR	Optical configurations available to achieve <10 UGR. See IES files for performance data based on exact configurations.
Physical	
Housing Material	Die cast aluminum
Optics Material	Polymethyl methacrylate (PMMA)
Accessory Material	Nylon PA12 (accessory primary ring, and frame only)
Cutout	<p>DF1R Housing With Round Trim and Round Cutout Shape: Ø4.125 inches (Ø105mm) DF1R Housing, Trimless: Round Cutout Shape, Ø4.61 inches (Ø117mm) DF1S Housing With Square Trim, and Trimless: Round Cutout Shape, Ø4.84 inches (Ø123mm) See installation instructions for details</p>
Ceiling Thickness	0.2 in to 0.71 in
Weight	<p>DF1R Housing With Trim: 2.67 lbs (fixture only) DF1R Housing, Trimless: 2.71 lbs (fixture only) DF1S Housing With Trim: 3.17 lbs (fixture only) DF1S Housing, Trimless: 3.22 lbs (fixture only) 0.77 lbs (RM Installation Type only) 1.65 lbs (NC Installation Type only) 5.07 lbs (IC Installation Type only) For total weight, combine weight of fixture and weight of installation type</p>

Electrical and Control

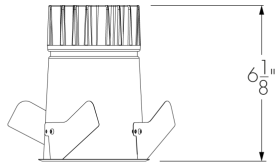
Voltage	120/277: 120/277 Volts
Wattage Range	3.7 to 45.1 Watts
Control	NO: On/Off Control DIM: 0-10V Dimming 1% PH: Phase Dimming 1%

Environmental

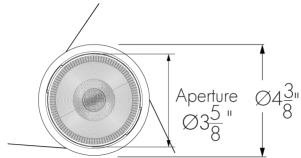
Ingress Protection Rating	IP40
Environment	Damp location (interior applications only)
Operating Temperature (Ceiling Cavity Ambient Temperature)	14 °F to 104 °F

Dimensions

DF1R Housing With Trim

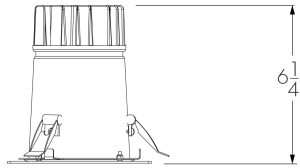


Front View

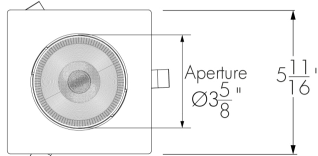


Bottom View

DF1S Housing With Trim

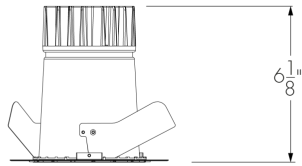


Front View

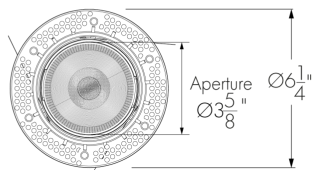


Bottom View

DF1R Housing Trimless

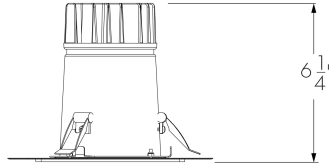


Front View

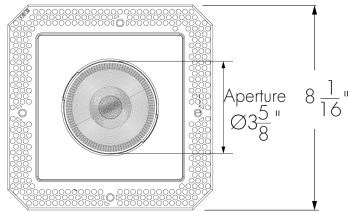


Bottom View

DF1S Housing Trimless



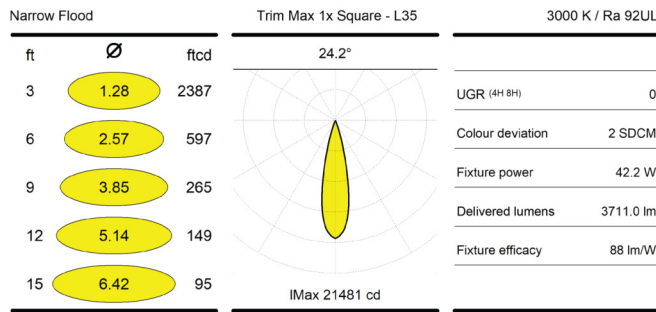
Front View



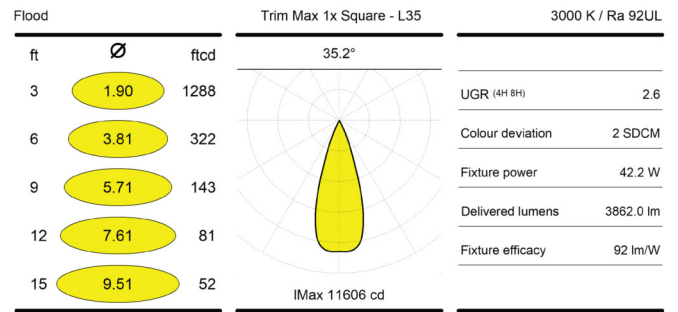
Bottom View

Photometric Information

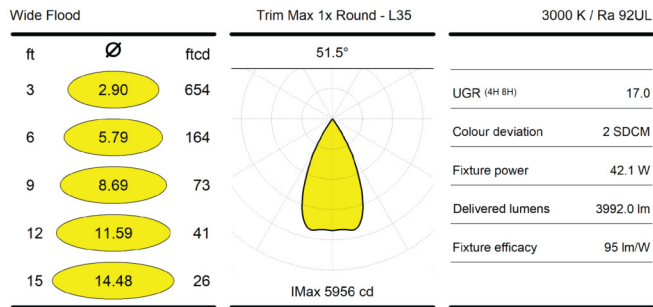
Narrow Flood, L35, 3000K, CRI 92



Flood, L35, 3000K, CRI 92



Wide Flood, L35, 3000K, CRI 92



The photometric data shown is for one fixture head.
For all other configurations, consult IES files on the Lumenpulse website.

Optical Accessories

HL - Honeycomb

EL - Elliptical Lens

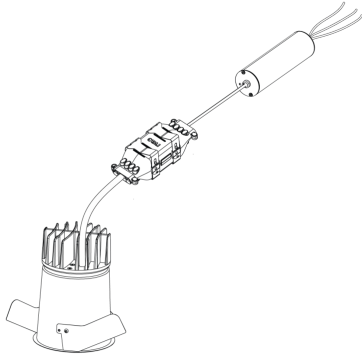
DF - Diffusing Filter



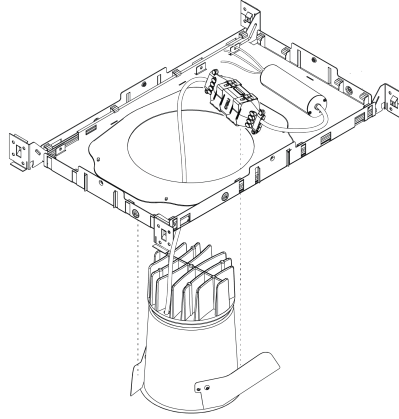
Factory installed.

Installation Types

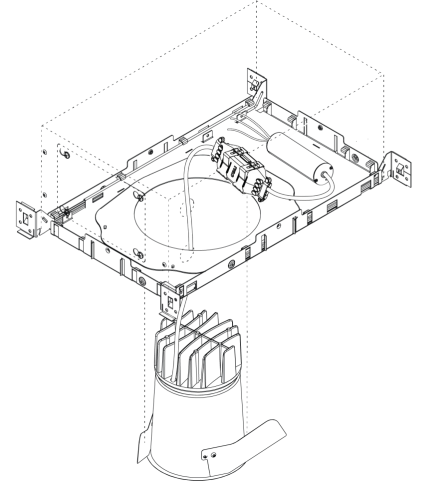
**RM: Remodel Non-Insulated Ceiling
(Non-Plenum Rated)**



**NC: New Construction Non-Insulated Ceiling
(Non-Plenum Rated)**



IC: Insulation Contact Mounting



DF1R Housing Shown.

Refer to installation instructions for more details.

How to Order

Housing	Trim Shape	Size	Voltage	Control	Output (Nominal Lumens)	Finish	Color Rendering	Color and Color Temperature	Optic (Nominal Distribution)	Installation Type	Accessories ⁽²²⁾
DF1R DARK FIX 1x Round	TR Trim	MX Max	120/277 120/277 Volts	NO On/Off Control	L03 300 lm ⁽²⁾	MWHTX Matte White Txt	92 CRI 92	27K 2700K	NS Narrow Spot 12° ⁽¹¹⁾ ⁽¹²⁾	RM Remodel Non-Insulated Ceiling (Non-Plenum Rated)	NA No accessory
	DF1S DARK FIX 1x Square			TRL Trimless	DIM 0-10V Dimming 1%	L04 400 lm ⁽³⁾	MBKTX Matte Black Txt	98 CRI 98	30K 3000K		
				PH Phase Dimming 1% ⁽¹⁾	L05 500 lm ⁽⁴⁾	CGY Concrete Grey		35K 3500K	S Spot 15° ⁽¹⁵⁾	NC New Construction Non-Insulated Ceiling (Non-Plenum Rated)	EL Elliptical Lens
					L07 700 lm ⁽⁵⁾	GTX Gold Txt		40K 4000K	NF Narrow Flood 25° ⁽¹⁶⁾		
					L10 1000 lm ⁽⁶⁾	CTX Copper Txt			FL Flood 35° ⁽¹⁶⁾	IC Insulation Contact Mounting (Can be Used for Plenum Contact, and Air-Tight Mounting Box Applications)	
					L13 1300 lm ⁽⁷⁾				WFL Wide Flood 40° ⁽¹²⁾ ⁽¹⁶⁾		
					L20 2000 lm ⁽⁸⁾				EWFL Elliptical Wide Flood 47° x 72° ⁽¹⁴⁾ ⁽¹⁷⁾		
					L30 3000 lm ⁽⁹⁾				LCFL Low Contrast Flood 40° ⁽¹⁸⁾ ⁽¹⁹⁾		
					L35 3500 lm ⁽¹⁰⁾				LCWFL Low Contrast Wide Flood 55° ⁽¹⁹⁾ ⁽²⁰⁾		
									LCENF Low Contrast Elliptical Narrow Flood 20° x 40° ⁽¹⁴⁾ ⁽²¹⁾		

Notes:

- Phase dimming (PH) is only compatible with 120V power.
- Available for LCFL, LCWFL and LCENF optics only.
- Available for LCENF optic only.
- Available for LCFL and LCWFL optics only.
- Available for ENS, LCFL, LCWFL and LCENF optics only.
- Available for NS, ENS, LCFL and LCWFL optics only.
- Available for all optics, except LCENF.
- Available for NS, S, NF, FL, WFL, EWFL and LCFL optics only.
- Available for S optic only.
- Available for NF, FL and WFL optics only.
- When NS optic is combined with RM or NC installation types, only L13 and L20 lumen outputs are available. When NS optic is combined with IC installation type, only L10 and L13 lumen outputs are available.
- Not available for EL accessory.
- When ENS optic is combined with RM or NC installation types, only L10 and L13 lumen outputs are available. When ENS optic is combined with IC installation type, only L07 and L10 lumen outputs are available.
- Cannot be combined with accessories.
- When S optic is combined with RM or NC installation types, only L13, L20 and L30 lumen outputs are available. When S optic is combined with IC installation type, only L13 and L20 lumen outputs are available.
- When NF, FL or WFL optics are combined with RM or NC installation types, only L13, L20 and L35 lumen outputs are available. When NF, FL or WFL optics are combined with IC installation type, only L13 or L20 lumen outputs are available.
- Available for L13 and L20 lumen outputs only.
- When LCFL optic is combined with RM and NC installation types, only L03, L05, L07, L10, L13 and L20 lumen outputs are available. When LCFL optic is combined with IC installation type, only L03, L05, L07, L10 and L13 lumen outputs are available.
- Not available for EL or DF accessory.
- Available with L03, L05, L07, L10 and L13 lumen outputs only.
- Available for L03, L04 and L07 lumen outputs only.
- Factory installed.