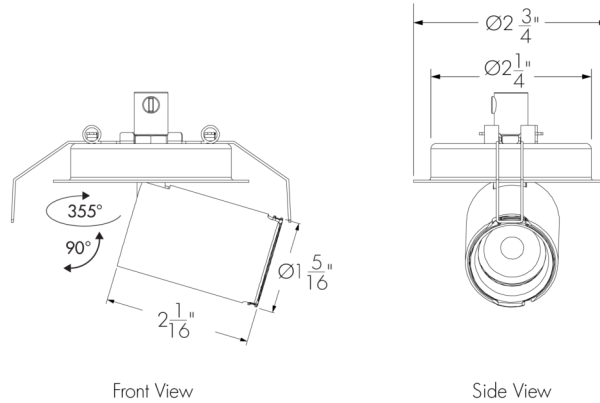


Project Name _____ Qty _____

Type _____ Catalog / Part Number _____



RS1R and RS2R Housings Shown

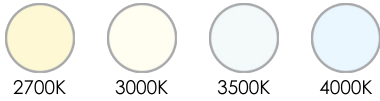


RS1R Housing Shown

Photometric Summary

Consult the Photometric Information section of the Specification Sheet for 3000K CRI 92 data. For all other configurations, consult IES files on the Lumenpulse website.

Color and Color Temperature



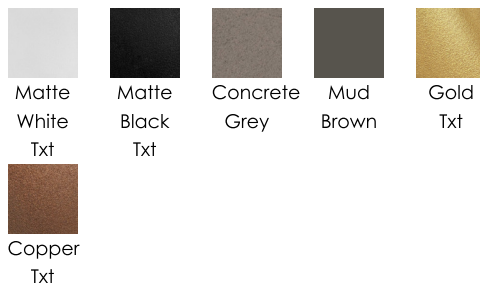
Color Rendering

CRI 92 CRI 98

Control

ON/OFF 0-10V Phase Dimming

Finish



Description

The Exenia REVO SPOT SEMI-RECESSED Mini is a unique cross between downlight and track light. It brings extra flexibility to the REVO family, allowing 90 degrees of tilt and 355 degrees of rotation. Available with one or two heads and a number of accessories.

Features

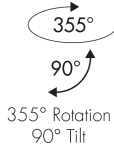
Output (Nominal Lumens)	L02: 200 lm L03: 300 lm
Color and Color Temperature	27K: 2700K 30K: 3000K 35K: 3500K 40K: 4000K
Optic (Nominal Distribution)	VN: Very Narrow 7° NS: Narrow Spot 12° ENS: Elliptical Narrow Spot 54° x 12° S: Spot 15° NF: Narrow Flood 25° FL: Flood 35°
Finish	MWHTX: Matte White Txt MBKTX: Matte Black Txt CG: Concrete grey MDB: Mud Brown GTX: Gold Txt CTX: Copper Txt
Installation Type	RM: Remodel Non-Insulated Ceiling (Non-Plenum Rated) NC: New Construction Non-Insulated Ceiling (Non-Plenum Rated) IC: Insulation Contact Mounting (Can be Used for Plenum Contact, and Air-Tight Mounting Box Applications)
Optical Accessories	Various optical accessories available, see Optical Accessories Section for details

Trim Shape



Round

Adjustability



Certifications



Warranty	5-year limited warranty
-----------------	-------------------------

Performance

Maximum Delivered Output	Up to 420 lm (one fixture head, L03, CRI 92, 40K, FL)
Maximum Delivered Intensity	7,221 cd at nadir (one fixture head, L02, CRI 92, 40K, VN)
Efficacy	Up to 88 lm/W (one fixture head, L02, CRI 92, 40K, FL)
Color Rendering	92: CRI 92 98: CRI 98
Color Consistency	2 SDCM
Lumen Maintenance	L70 120,000 hours L95 19,000 hours

UGR	Optical configurations available to achieve <10 UGR. See IES files for performance data based on exact configurations.
------------	--

Physical

Housing Material	Extruded aluminum
Optics Material	Polymethyl methacrylate (PMMA)
Accessory Material	Nylon PA12 (accessory primary ring, and frame only)
Adjustability	355° Rotation, 90° Tilt
Cutout	RS1R Housing: Round shape, Ø2.375 inches (Ø60mm) RS2R Housing: Oblong shape, Length 4.3125 inches (110 mm), radius 1.1875 inches (30mm) See installation instructions for details
Ceiling Thickness	0.03 in to 1 in
Weight	RS1R Housing: 0.29 lbs (fixture only) RS2R Housing: 0.66 lbs (fixture only) 0.77 lbs (RM Installation Type only) 1.65 lbs (NC Installation Type only) 5.07 lbs (IC Installation Type only) For total weight, combine weight of fixture and weight of installation type

Electrical and Control

Voltage	120/277: 120/277 Volts
Wattage Range	3.5 to 5.2 Watts (per fixture head)
Control	NO: On/Off Control DIM: 0-10V Dimming 1% PH: Phase Dimming 1%

Environmental

Ingress Protection Rating	IP40
Environment	Damp location (interior applications only)
Operating Temperature (Ceiling Cavity Ambient Temperature)	14 °F to 104 °F

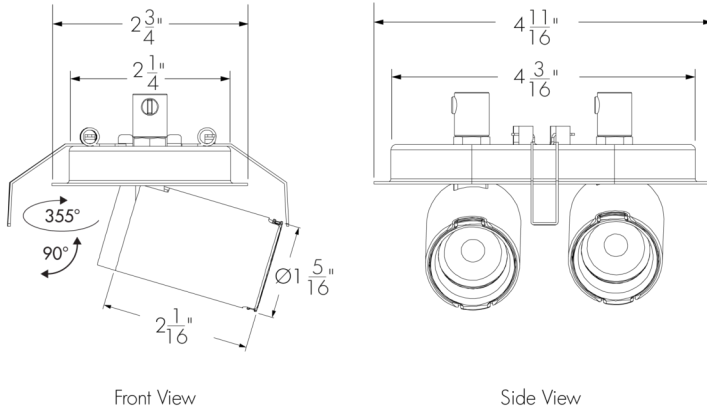
Important

Virtual Patent Marking Notice

This website (<https://www.lmpg.com/patents-trademarks>) is provided to satisfy the virtual patent marking provisions of applicable jurisdictions. Some products listed may be covered by additional patents not referenced here.

Dimensions

RS2R Housing

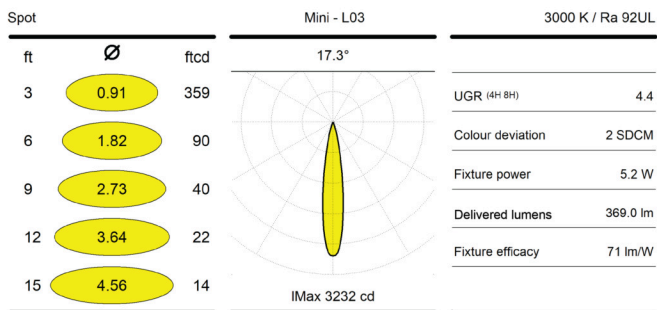


Front View

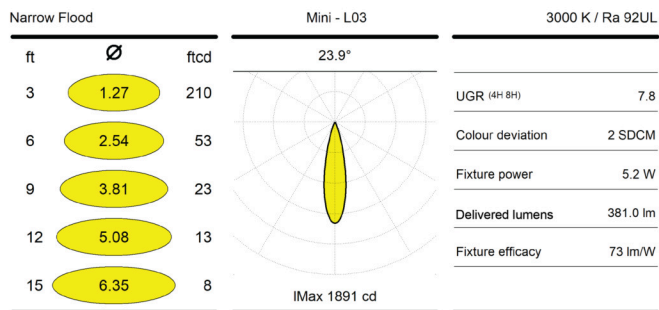
Side View

Photometric Information - RS1R Housing

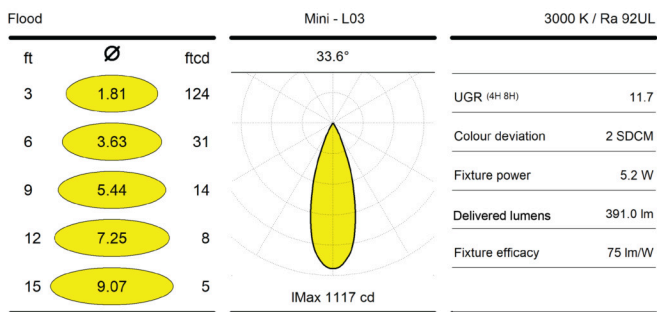
Spot, L03, 3000K, CRI 92



Narrow Flood, L03, 3000K, CRI 92



Flood, L03, 3000K, CRI 92



The photometric data shown is for one fixture head.

For all other configurations, consult IES files on the Lumenpulse website.

Optical Accessories

HL - Honeycomb

SN - Snoot

VS - Visor

EL - Elliptical Lens



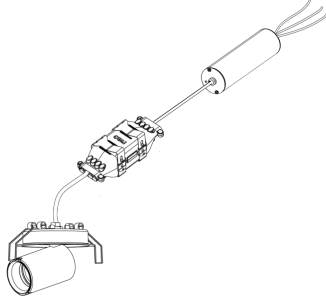
Factory installed.

The accessory specified for the fixture is factory-installed on all fixture heads.

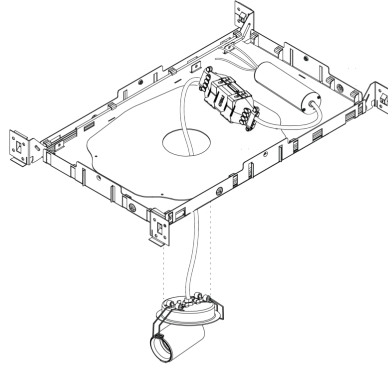
Installation Types - 1x

REVO SPOT SEMI-RECESSED Mini (RS1R)

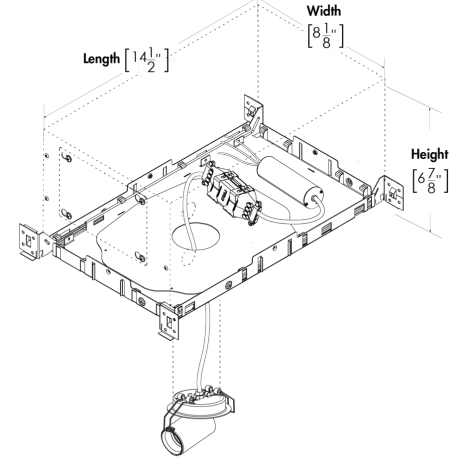
**RM: Remodel Non-Insulated Ceiling
(Non-Plenum Rated)**



**NC: New Construction Non-Insulated Ceiling
(Non-Plenum Rated)**



IC: Insulation Contact Mounting



REVO SPOT SEMI-RECESSED Mini (RS1R)

REVO SPOT SEMI-RECESSED Mini (RS1R)

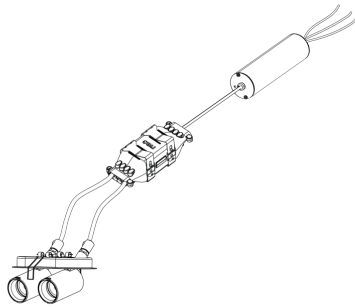
REVO SPOT SEMI-RECESSED Mini (RS1R)

RS1R Housing Shown.

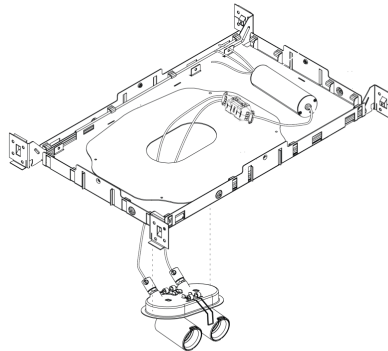
Refer to installation instructions for details.

Installation Types - 2x

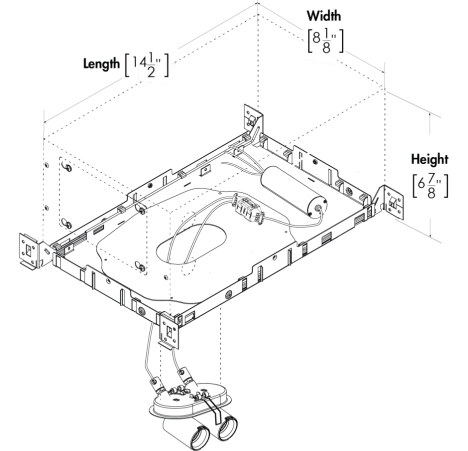
**RM: Remodel Non-Insulated Ceiling
(Non-Plenum Rated)**



**NC: New Construction Non-Insulated Ceiling
(Non-Plenum Rated)**



IC: Insulation Contact Mounting



REVO SPOT SEMI-RECESSED Mini (RS2R for VN Optic,
and S, NF and FL optics with L03 Lumen Output)

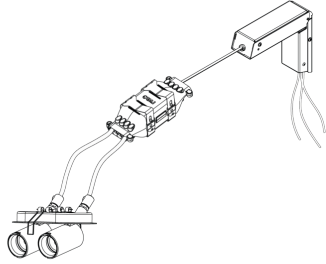
REVO SPOT SEMI-RECESSED Mini (RS2R for VN Optic,
and S, NF and FL optics with L03 Lumen Output)

REVO SPOT SEMI-RECESSED Mini (RS2R for VN Optic,
and S, NF and FL optics with L03 Lumen Output)

RS2R Housing Shown.

Refer to installation instructions for details.

**RM: Remodel Non-Insulated Ceiling
(Non-Plenum Rated)**

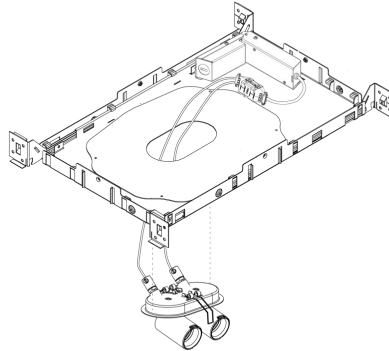


REVO SPOT SEMI-RECESSED Mini (RS2R for NS and ENS Optics, and S, NF and FL Optics with L02 Lumen Output)

RS2R Housing Shown.

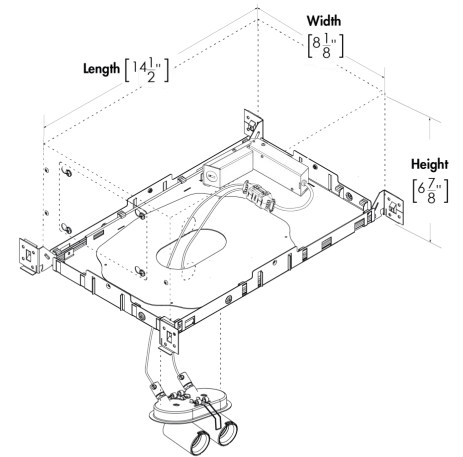
Refer to installation instructions for details.

**NC: New Construction Non-Insulated Ceiling
(Non-Plenum Rated)**



REVO SPOT SEMI-RECESSED Mini (RS2R for NS and ENS Optics, and S, NF and FL Optics with L02 Lumen Output)

IC: Insulation Contact Mounting



REVO SPOT SEMI-RECESSED Mini (RS2R for NS and ENS Optics, and S, NF and FL Optics with L02 Lumen Output)

How to Order

Housing	Size	Voltage	Control	Output (Nominal Lumens)	Finish	Color Rendering	Color and Color Temperature	Optic (Nominal Distribution)	Installation Type	Accessories ⁽⁶⁾ ⁽⁷⁾
RS1R REVO SPOT SEMI-RECESSED 1x Round RS2R REVO SPOT SEMI-RECESSED 2x Round	MI Mini	120/277 120/277 Volts	NO On/Off Control DIM 0-10V Dimming 1% PH Phase Dimming 1% ⁽¹⁾	L02 200 lm L03 300 lm ⁽²⁾	MWHTX Matte White Txt MBKTX Matte Black Txt CGY Concrete Grey MDB Mud Brown GTX Gold Txt CTX Copper Txt	92 CRI 92 98 CRI 98 ⁽²⁾	27K 2700K 30K 3000K 35K 3500K 40K 4000K	VN Very Narrow 7° ⁽³⁾ NS Narrow Spot 12° ⁽³⁾ ⁽⁴⁾ ENS Elliptical Narrow Spot 54° x 12° ⁽³⁾ ⁽⁵⁾ S Spot 15° NF Narrow Flood 25° FL Flood 35°	RM Remodel Non- Insulated Ceiling (Non- Plenum Rated) NC New Construction Non-Insulated Ceiling (Non- Plenum Rated) IC Insulation Contact Mounting (Can be Used for Plenum Contact, and Air-Tight Mounting Box Applications)	NA No Accessory HL Honeycomb SN Snoot VS Visor EL Elliptical Lens

Notes:

- Phase dimming (PH) is only compatible with 120V power.
- Available for S, NF and FL optics only.
- Available for CRI 92 only.
- Not available for EL accessory.
- Cannot be combined with accessories.
- Factory installed.
- The accessory specified for the fixture is factory-installed on all fixture heads.