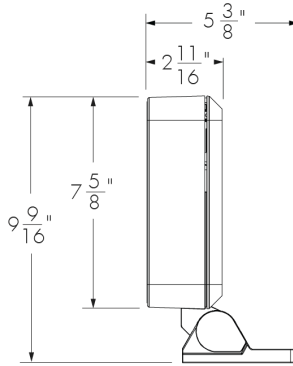


Project Name _____ Qty _____

Type _____ Catalog / Part Number _____



Side View



Front View

Photometric Summary

Symmetric

	Delivered output (lm)	Intensity (peak cd)
VN (6°)	930	44,976
NS (10°)	893	31,178
NF (20°)	817	6,934
M (30°)	784	3,619
FL (40°)	760	2,157
WFL (60°)	619	501
VWFL (90°)	767	398

Asymmetric

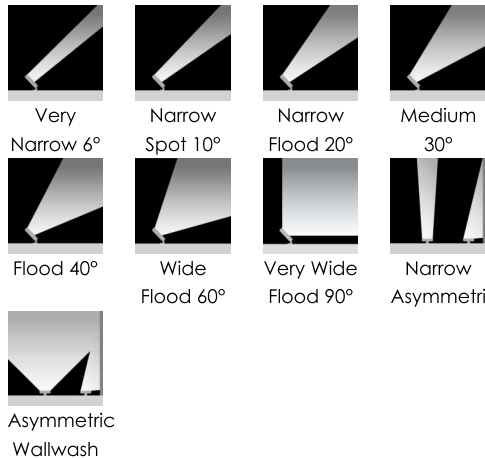
NAS	835	13,303 (@2.5°)
WW	765	3,394 (@5°)

¹ Based on DWH, full output.

² Photometric performance is measured in compliance with IESNA LM-79-24.

³ Refer to the [Lumenquad Dynamic White Photometric Guide](#) on Lumenpulse website for information on other color temperatures.

Optic



Description

The Lumenquad Small Dynamic White, 14W LED luminaire, has a sleek 2 11/16 in profile with no visible wiring or hardware and seamlessly integrates with any architecture. Lumenpulse's latest generation of LED boards possess an optimised candela and lumens recipe for both Narrow and Wide optics. The Lumenquad Small Dynamic White is the epitome of versatility and can be configured with numerous options including optics for wallwash and floodlighting, a choice of colour temperatures and colours, as well as various mounting options, accessories, controls, and multiple standard finishes.

Features

Color and Color Temperature

DWW: Dynamic Warm White (2200K to 3000K), **DWH:** Dynamic White (2700K to 6500K)

Optics (Nominal Distribution)

VN: VN (6°), **NS:** NS (10°), **NF:** NF (20°), **M:** M (30°), **FL:** FL (40°), **WFL:** WFL (60°), **VWFL:** VWFL (90°), **NAS:** NAS (Narrow Asymmetric), **WW:** WW (Asymmetric Wallwash)

Mounting Options

SM: Surface Mount, **WM:** Wall Mount Bracket with Decorative Cover, **WMNC:** Wall Mount Bracket without Decorative Cover, **RJBOX:** Recessed JBOX Wall Mount with Decorative Cover, **RJBOXNC:** Recessed JBOX Wall Mount Without Decorative Cover, **PM:** Pole Mount, **TN:** Tenon Mount, **SK:** Stake Mount, **STM:** Stud mount

Optical Options (Factory Installed)

LSLH: Linear Spread Lens Horizontal Distribution, **LSLV:** Linear Spread Lens Vertical Distribution, **HL:** Honeycomb Louver

Option

CRC: Corrosion-Resistant Coating for Hostile Environments

Power Consumption

14W

Warranty

5-year limited warranty

Color and Color Temperature



D_{ww}
Dynamic Warm White
(2200K to 3000K)

D_{wh}
Dynamic White
(2700K to 6500K)

Control

DIM/DTW DMX/RDM1 DMX/RDM



Ratings

IP66 IK10

Certifications



Performance

Maximum Delivered Output	720 lm (DWW full output, VN 6°, DMX/RDM) 930 lm (DWH full output, VN 6°, DMX/RDM)
Maximum Delivered Intensity	34,811 cd at nadir (DWW full output, VN 6°, DMX/RDM) 44,976 cd at nadir (DWH full output, VN 6°, DMX/RDM)
Illuminance at Distance	Minimum 1 fc at 187 ft (DWW full output, VN 6°, DMX/RDM) Minimum 1 fc at 213 ft (DWH full output, VN 6°, DMX/RDM)
Lumen Maintenance	L70 120,000 hrs (Ta 25 °C)

Physical

Housing Material	Low copper content high pressure die-cast aluminum
Lens Material	Clear tempered glass
Hardware Material	Stainless steel
Gasket Material	Silicone
Surface Finish	Electrostatically applied polyester powder coat
Weight	6.65 lbs
EPA	Front = 0.43 ft², Side = 0.21 ft², Front 45°= 0.41 ft²

Electrical and Control

Voltage	120-277 Volts
Fixture Cable	Power and data in one cable
Conductors	5C #16-5 (DIM/DTW, DALI8 control) 6C #14-3/ #24-3 (DMX/RDM1, DMX/RDM control)
Control	Dim to Warm via 0-10V (2700K to 2200K), Dim to Warm via Single-Channel DMX/RDM (2700K to 2200K), DMX/RDM Enabled 3-Channel Color Temperature Control, DALI 2 T8 Enabled Dimming 0.1%. Lumentalk system is enabled with LDB accessory - see typical wiring diagrams for details
Resolution (DMX/RDM)	Per fixture, 8-bit or 16-bit
Dynamic Warm Color Temperature Mixing	9 LEDs (3x 2200K, 3x 2700K, 3x 3000K)
Dynamic White Color Temperature Mixing	9 LEDs (3x 2700K, 3x 4000K, 3x 6500K)

Environmental

Storage Temperature	-40 °F to 158 °F (device must reach start-up temperature value before operating)
Start-up Temperature	-13 °F to 122 °F
Operating Temperature	-40 °F to 122 °F
Ingress Protection Rating	IP66 Wet location rated
Impact Resistance Rating	IK10

Application Wind Speed

Luminaires were designed based on AASHTO 2013 standard to ensure highest quality and safety. Installation should be validated by a local project engineer to ensure the luminaires are suitable for the wind speed and exposure of the specific application

Accessories (Order Separately)

Optical Accessories

Snoot, Visor, Linear Spread Lens Adjustable, Wire Guard

Control Boxes

DMX/RDM enabled (Daisy Chain or Star Configuration), Ethernet enabled (Daisy Chain or Star Configuration), Lumentalk Data Bridge

Control Systems

Pharos® Designer Lighting Control Kit (PHAROS), Pharos® Expert Control Kit (EXPERT)

Diagnostic and Addressing Tools

LumenID (LID)

Important

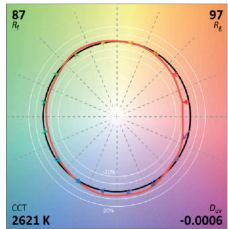
Virtual Patent Marking Notice

This website (<https://www.lmpg.com/patents-trademarks>) is provided to satisfy the virtual patent marking provisions of applicable jurisdictions. Some products listed may be covered by additional patents not referenced here.

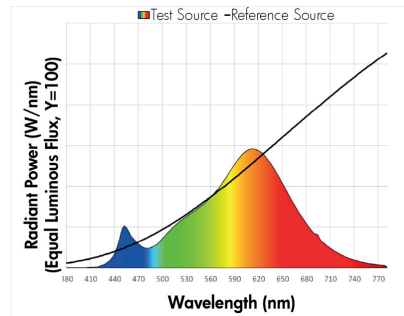
Chromaticity Data

TM-30 - DWW

CCT	CIE		TM-30	
DWW	R _a	86	87	R _f
Full Output	R _g	26	97	R _g

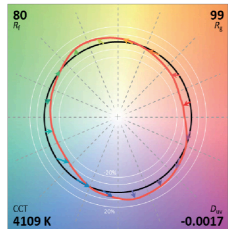


DWW Spectral Power Distribution

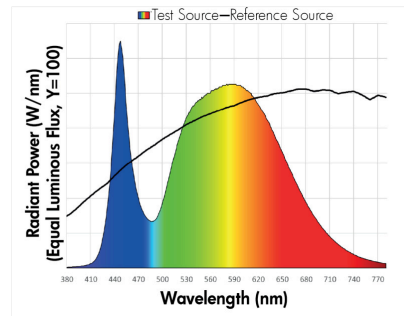


TM-30 - DWH

CCT	CIE		TM-30	
DWH	R _a	81	80	R _f
Full Output	R _g	22	99	R _g

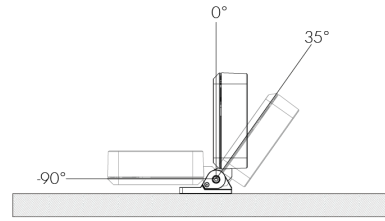


DWH Spectral Power Distribution

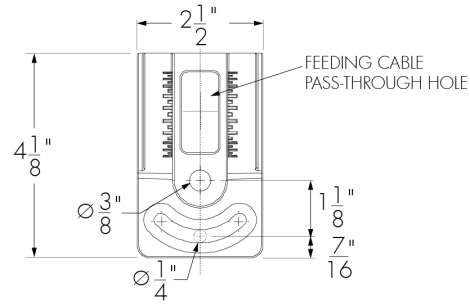


Mounting Options

SM - Surface Mount

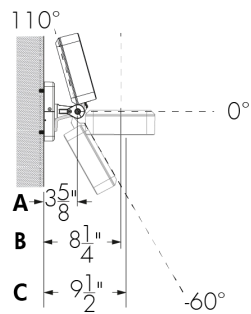


SM - Mounting Hole Pattern

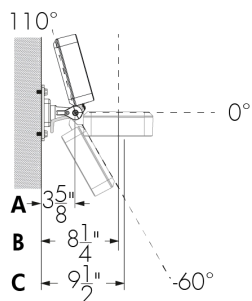


The SM mounting option cannot be interchanged with any other mounting option. All other mountings are interchangeable. Consult factory for details.

WM - Wall Mount Bracket with Decorative Cover



WMNC - Wall Mount Bracket Without Decorative Cover

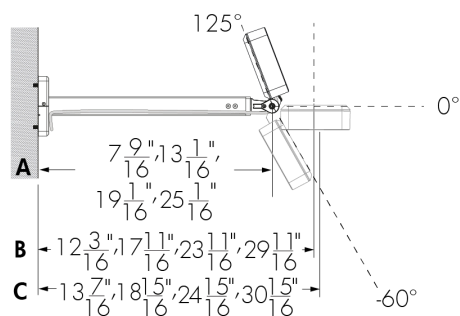


A - Dimension from wall to pivot.

B - Dimension from wall to the geometric center of the fixture.

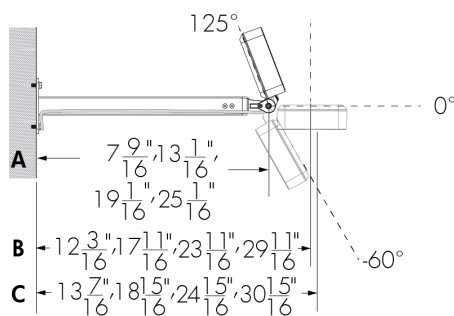
C - Dimension from wall to the center of the board.

**WAM - Wall Mount Bracket With Decorative Cover
6 in, 12 in, 18 in or 24 in**



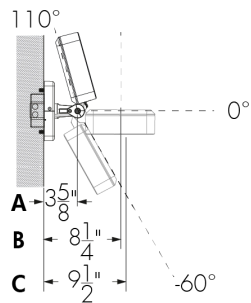
A cable length of 10 ft or greater must be specified for the WAM24 mounting option.

**WAMNC - Wall Mount Bracket Without Decorative Cover
6 in, 12 in, 18 in or 24 in**



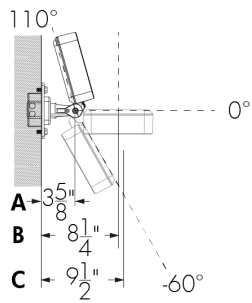
A cable length of 10 ft or greater must be specified for the WAM24 mounting option.

**WMRJB - Recessed JBOX Wall Mount With
Decorative Cover**



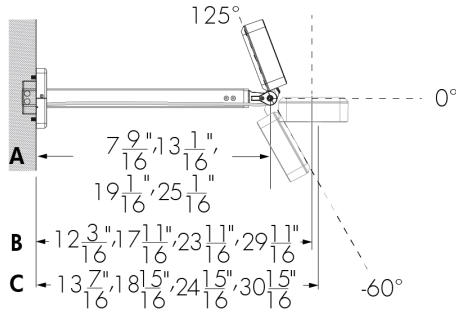
Fixture cable length is determined by Lumenpulse.

**WMRJBNC - Recessed JBOX Wall Mount Without
Decorative Cover**

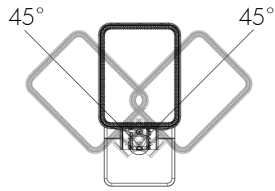


Fixture cable length is determined by Lumenpulse.

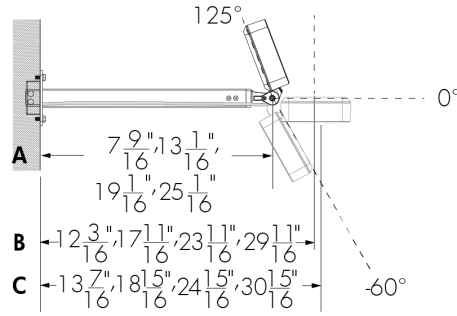
**WAMRJB - Recessed JBOX Wall Arm Mount With
Decorative Cover 6 in, 12 in, 18 in or 24 in**



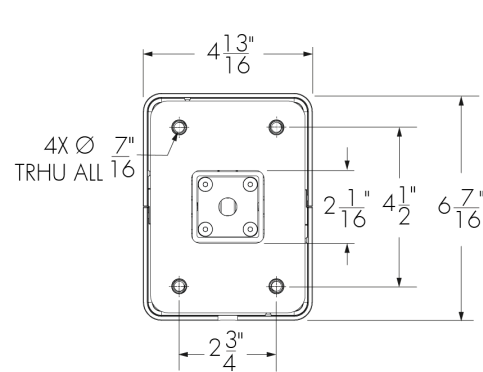
Wall Mount Horizontal Pivot Limits



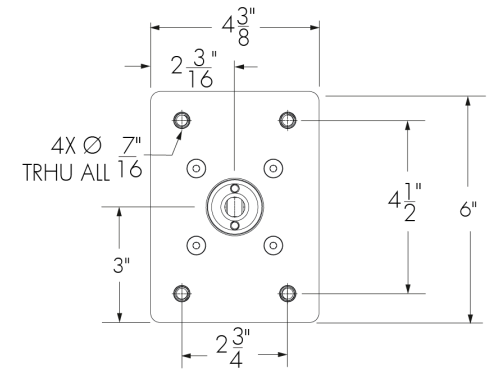
**WAMRJBNC - Recessed JBOX Wall Arm Mount
Without Decorative Cover 6 in, 12 in, 18 in or 24 in**



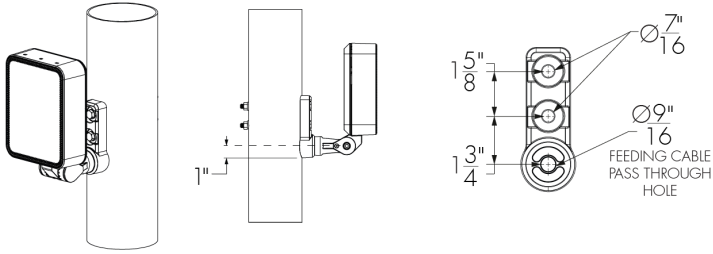
**WM, WAM, WMRJB and WAMRJB - Mounting Hole
Pattern**



**WMNC, WAMNC, WMRJBNC and WAMRJBNC -
Mounting Hole Pattern**



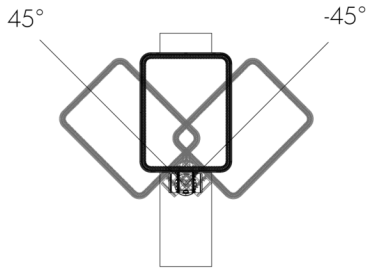
RPM4/1, RPM4.5/1, RPM5/1 - Round Pole Mount



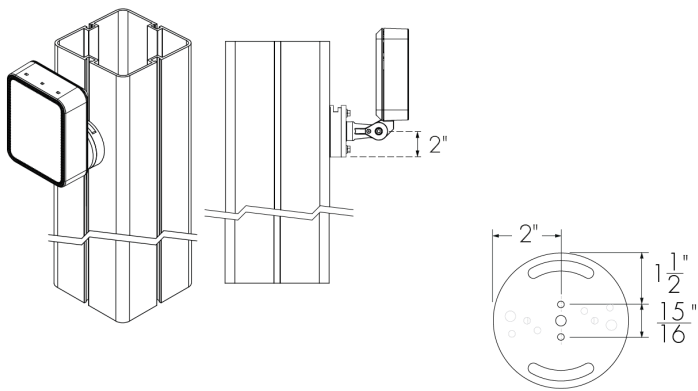
	RPM4/1	RPM4.5/1	RPM5/1
For pole Ø	4" ± 1/16"	4.5" ± 1/16"	5" ± 1/16"
Bolt length	5 1/4"	5 3/4"	6 1/4"

Consult factory for other pole diameters.
Hardware included with accessory.

Round Pole Mount Horizontal Pivot Limits



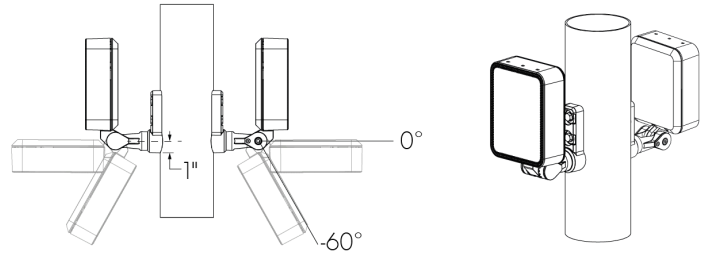
PLTU - Universal Yoke



Refer to the Universal Yoke specification sheet and Pole installation instructions for more details. Square Lumentech profile shown.

All mounting options (except for SM mounting) are interchangeable. Consult factory for details.

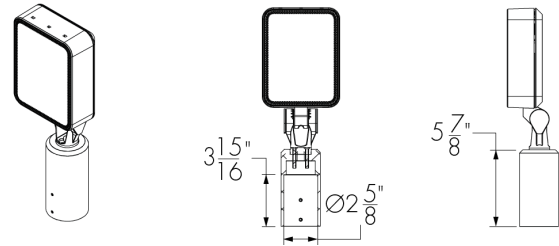
RPM4/2, RPM4.5/2, RPM5/2 - Round Pole Mount For Two Fixtures



	RPM4/2	RPM4.5/2	RPM5/2
For pole Ø	4" ± 1/16"	4.5" ± 1/16"	5" ± 1/16"
Bolt length	5 3/4"	6 1/4"	7"

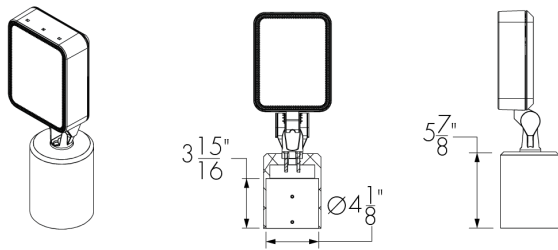
Consult factory for other pole diameters.
Hardware included with accessory.

TN2 - Tenon Adapter For 2 3/8 in O.D. Pole



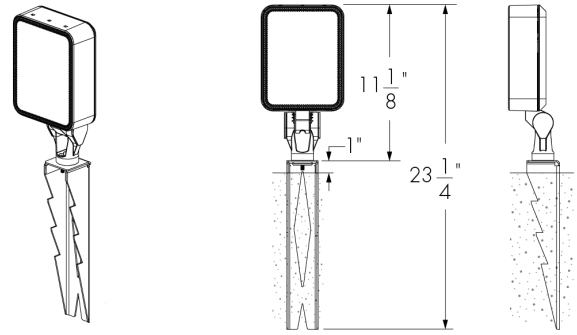
Vertical mounting only. Consult factory for horizontal mounting.

TN4 - Tenon Adapter For 4 in O.D. Pole



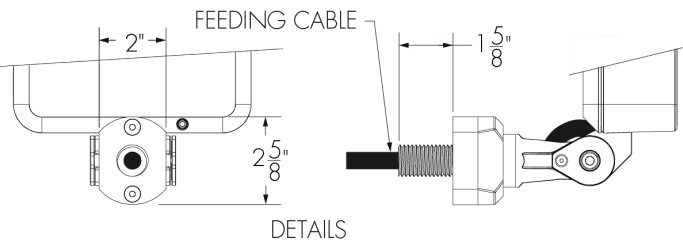
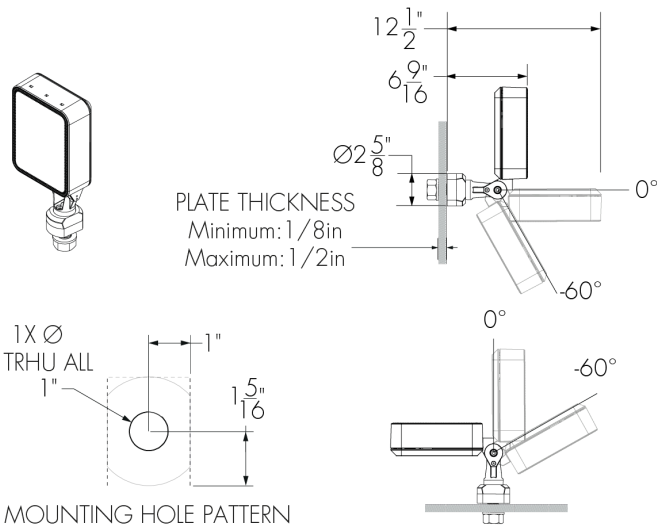
Vertical mounting only. Consult factory for horizontal mounting.

SK - Stake Mount



All mounting options (except for SM mounting) are interchangeable. Consult factory for details.

STM - Stud Mount



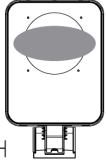
Vertical or horizontal mounting

All mounting options (except for SM mounting) are interchangeable. Consult factory for details.

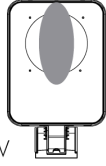
Optical Options

LSLH - Linear Spread Lens Horizontal Distribution

LSLV - Linear Spread Lens Vertical Distribution



LSLH



LSLV

Factory installed, not adjustable on site. Not available for WFL, VWFL, NAS and WW optics.

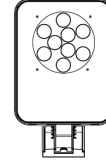
See 'Optical Accessories' section for field adjustable spread lens (LSLA).

	Beam angle with LSLH/LSLV
VN	7° x 60°
NS	13° x 60°
NF	18° x 65°
M	25° x 66°
FL	35° x 70°

LLF: 0.88*

*LLF may vary slightly by distribution chosen.

HL - Honeycomb Louver



Factory installed, not adjustable on site. HL not available for WFL, VWFL, NAS and WW optics.

The addition of a honeycomb louver will affect beam distribution. Consult factory for application support.

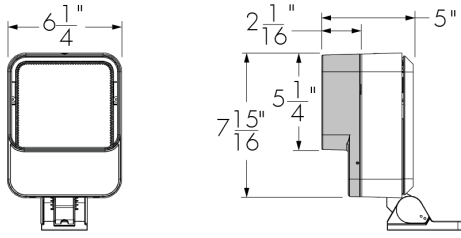
LLF: 0.90*

*LLF may vary slightly by distribution chosen.

Optical Accessories (Factory Installed, Order Separately)

Installed optical accessories will affect the maximum pivot limits for each mounting option, consult factory for details.

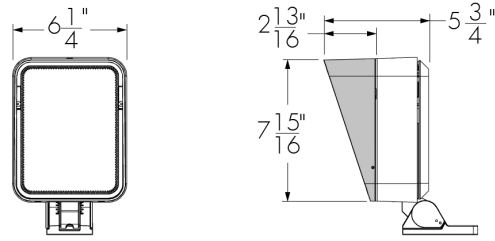
SN - Snoot



LQSSN-FINISH-BK-OPTIONS (CRC)

Interior surface painted black. Please specify the exterior **FINISH** from the list of finishes in the fixture order code.

VS - Visor

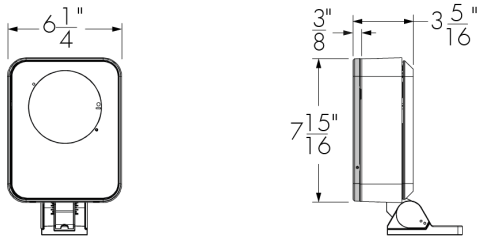


LQSVS-FINISH-BK-OPTIONS (CRC)

Interior surface painted black. Please specify the exterior **FINISH** from the list of finishes in the fixture order code.

The Visor is not recommended for the WW optic.

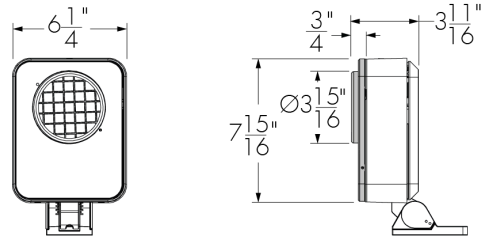
LSLA - Linear Spread Lens Adjustable



LQSLSLA-FINISH-OPTIONS (CRC)

Please specify the exterior **FINISH** from the list of finishes in the fixture order code.

WG - Wire Guard



LQSWG-FINISH-OPTIONS (CRC)

Please specify the exterior **FINISH** from the list of finishes in the fixture order code.

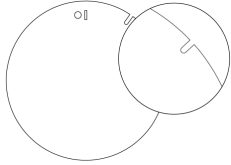
Accessory Combinations

	+	Snoot	Visor	Wire guard
Linear spread lens adjustable		YES	YES	NO
Wire guard		YES	YES	N/A

Accessory combinations must be ordered together on a single line. Ex: A snoot + wire guard combination order code is LQSSNWG-BK-BK. A maximum of two accessories can be combined per fixture.

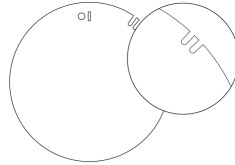
Diffuser Lenses (Intended for Mockup Purposes Only, Order Separately)

Diffuser Lens 1 (1 Notch)



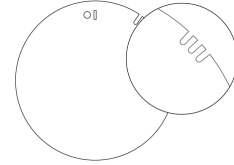
147695

Diffuser Lens 2 (2 Notches)



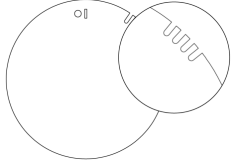
147696

Diffuser Lens 3 (3 Notches)



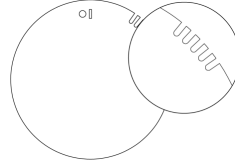
147697

Diffuser Lens 4 (4 Notches)



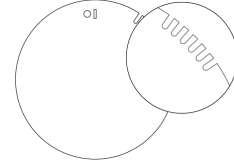
147698

Diffuser Lens 5 (5 Notches)



147699

Diffuser Lens 6 (6 Notches)



147700

Final Distribution Using Diffuser Lenses

Final Distribution Using Diffuser Lens

Original Distribution on Fixture	Final Distribution Using Diffuser Lens					
	Diffuser Lens 1 1 Notch	Diffuser Lens 2 2 Notches	Diffuser Lens 3 3 Notches	Diffuser Lens 4 4 Notches	Diffuser Lens 5 5 Notches	Diffuser Lens 6 6 Notches
XN (4°/5°)	VN	NS				
VN (6°)	NS		NF	M	FL	WFL
NS (10°)						
NF (20°)						
M (30°)				FL	WFL	
FL (40°)						
WFL (60°)						WVFL
VWFL (90°)						

Choose a diffuser lens based on the desired final beam distribution. Refer to the 6-digit part numbers above to order diffuser lenses individually. To order a complete set of 6 diffuser lenses in a bag, refer to the following item names: **LQS:** LQALK-S **LQM:** LQALK-M **LQL:** LQALK-L **LQG:** LQALK-G

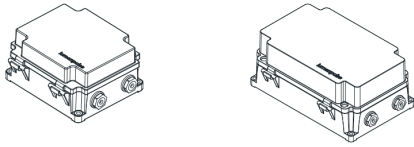
The diffuser lenses are intended for mockup purposes only. A lens holder is required to install a diffuser lens on the fixture, order separately using the following names: **LQS:** LQSLSLA-FINISH-LQALK **LQM:** LQMLSLA-FINISH-LQALK **LQL:** LQLLSLA-FINISH-LQALK **LQG:** LQGLSLA-FINISH-LQALK

Please specify the exterior **FINISH** from the list of finishes in the fixture order code.

Refer to the Diffuser Lens Installation Instructions on the Lumenpulse website for information on installing the diffuser lenses.

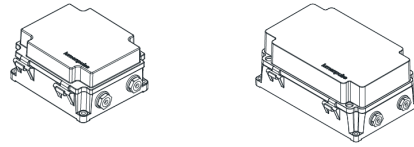
Control Boxes (Order Separately)

CBX-DMX/RDM - DMX/RDM Enabled (Daisy Chain or Star Configuration)



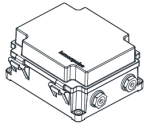
DMX/RDM control box. Up to six power and data outputs to fixtures or fixture runs. Consult CBX specification sheet and installation instructions for details. Lumenterminators provided with CBX (2x for Daisy Chain configuration, 6x for Star configuration), consult factory to order spares.

CBX-ENET - Ethernet Enabled (Daisy Chain or Star Configuration)



Ethernet control box. Up to four power and data outputs to fixture or fixture runs. Consult Ethernet CBX specification sheet and installation instructions for details.

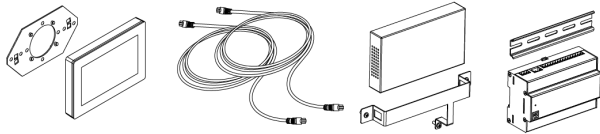
LDB - Lumentalk Data Bridge



Lumentalk Data Bridge, 0-10V or DMX output. Consult LDB specification sheet for details.

Control Systems (Order Separately)

PHAROS - Pharos® Designer Lighting Control Kit



The Pharos Designer Lighting Control Kit, available for 1 or 2 DMX universes, allows for complete control of large lighting installations.

EXPERT - Pharos® Expert Control Kit



The Pharos Expert Control Kit, available for 1, 2, 4 or 6 DMX universes, allows for complete control of large lighting installations.


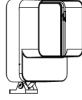

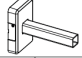
Diagnostic And Addressing Tools (Order Separately)

LID - LumenID



The updated LumenID (LID) is an all-in-one diagnostic and addressing solution for both DMX/RDM and Lumentalk (LT) systems. Engineered for versatility, it streamlines commissioning and troubleshooting across protocols—no need for multiple tools. Cable option may vary; please consult factory. For complete details, refer to the LID specification sheet.

EPA Guide

	FIXTURE			MOUNTING OPTIONS*			
	LQS	LQS with Snoot	LQS with Visor	WAM/WAMRJB			
							
				6	12	18	24
EPA Front (sq ft)	0.431	0.517	0.517	N/A	N/A	N/A	N/A
EPA Side (sq ft)	0.205	0.334	0.334	0.134	0.287	0.440	0.593
EPA Front 45° (sq ft)	0.409	0.592	0.592	N/A	N/A	N/A	N/A

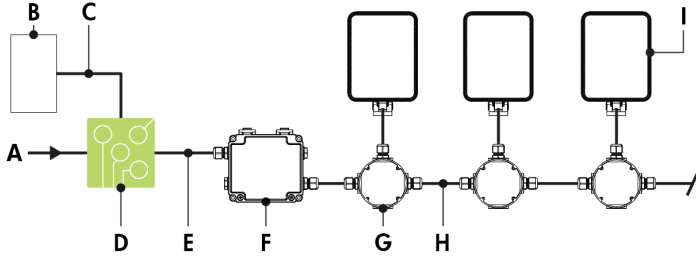
*Mounting arm only. Fixture EPA calculation must also be considered.

Typical Wiring Diagrams

Wiring Color Code

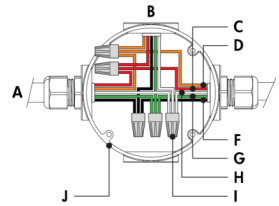
UL Color Code	USE
Green	Ground
Black	Line 120-277V AC
White	Line/Neutral
Red or Purple	0-10V / Data +
Orange	0-10V / Data -
Gray	Signal common (DMX/RDM only)

Lumentalk (LT)



- A** - Power input (120-277V AC, wiring by others)
- B** - DMX/RDM controller (order separately from Lumenpulse, or by others)
- C** - Data wiring (by others)
- D** - Lumentranslator 2 (LTL2-DMX)
- E** - Power wiring (by others)
- F** - Lumentalk Data Bridge (LDB-DMX)
- G** - Junction box (by others)
- H** - Power and data wiring (by others)
- I** - Lumenquad Small

Lumentalk (LT) - Wiring Detail Using LDB

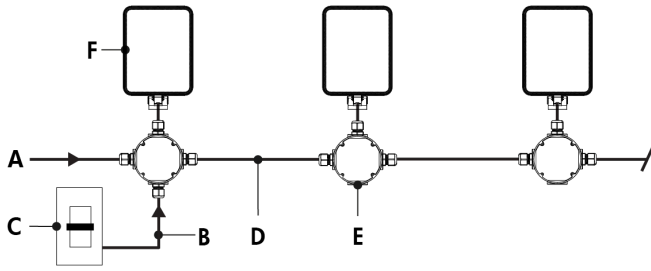


- A** - From Lumentalk Data Bridge (control over power line via Lumentalk system) or from previous fixture
- B** - To fixture
- C** - 0-10 V + / Data +
- D** - 0-10 V - / Data -
- E** - To next fixture
- F** - Line
- G** - Ground
- H** - Line/Neutral
- I** - Wire-nut (by others)
- J** - Junction box (by others)

- Consult factory for specific applications and maximum fixture count/cable length recommendations.
- Lumentalk Data Bridge required for Lumentalk system, see LDB installation instructions for details. Fixtures must be specified as DMX/RDM and the Lumentalk Data Bridge must be specified as DMX. 2-step commissioning process: 1 - DMX/RDM system using LumenID software and a LID, 2 - Lumentalk system using LumentalkID software and a LID. Consult factory for details.
- Maximum of 32 fixtures per LDB-DMX. Consult factory for details.
- 1 DMX controller per Lumentalk network, maximum of 48 DMX channels per Lumentalk network (minimum step transition update rate is 1 second, minimum fade time between two colors is 1 minute). Consult factory for applications that require additional capabilities.
- Maximum of 1 transmitter (Lumentranslator or Lumenlink) per system.
- No third party fixtures allowed on the same circuit.
- 14 watts per fixture.

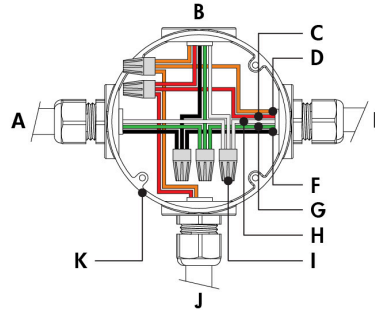
Dim to Warm Via 0-10V (DIM/DTW*)

*Available For DWW Version Only, 2700K to 2200K



- A - Power input (120-277V, wiring by others)
- B - Data wiring (by others)
- C - Dimmer (by others)
- D - Power and data wiring (by others)
- E - Junction box (by others)
- F - Lumenquad Small

Dim to Warm Via 0-10V (DIM/DTW) - Wiring Detail

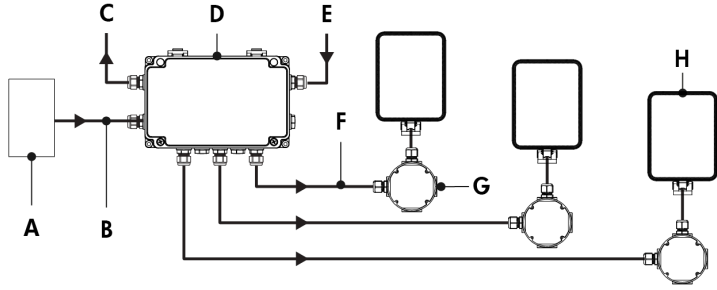


- A - Power input or from previous fixture
- B - To fixture
- C - 0-10 V +
- D - 0-10 V -
- E - To next fixture
- F - Line
- G - Ground
- H - Neutral
- I - Wire-nuts (by others)
- J - From dimmer (by others)
- K - Junction box (by others)

- Consult factory for specific applications and maximum fixture count/cable length recommendations.
- 0-10V mA ratings: passive dimmer (Current Sink): 3mA per fixture, active dimmer (Current Source): 0.5mA per fixture.
- 14 watts per fixture.

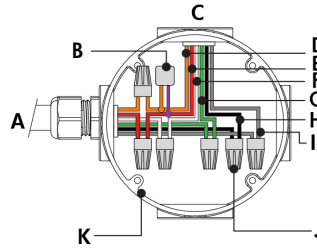
Star Layout (Dim to Warm Via DMX/RDM1* or 3-Channel DMX/RDM)

*Available For DWW Version Only, 2700K To 2200K



- A - DMX/RDM controller (order separately from Lumenpulse, or by others)
- B - Data input (Belden 9841 or equivalent, by others)
- C - Data output to next CBX (optional, not isolated/not boosted)
- D - CBX-ST
- E - Power input (120-277V, wiring by others)
- F - Power and data output to fixture (wiring by others)
- G - Junction box (by others)
- H - Lumenquad Small

Star Layout (DMX/RDM1 or DMX/RDM) - Wiring Detail



- A - From CBX or previous fixture
- B - Lumenterminator*
- C - To fixture
- D - Data -
- E - Data +
- F - Neutral
- G - Ground
- H - Line
- I - Signal common
- J - Wire-nuts (by others)
- K - Junction box (by others)

Maximum Fixture Count

Maximum number of fixtures per run (Based on 15A maximum, 16AWG cable, fixtures spaced 10ft on center, first fixture 50ft from CBX)

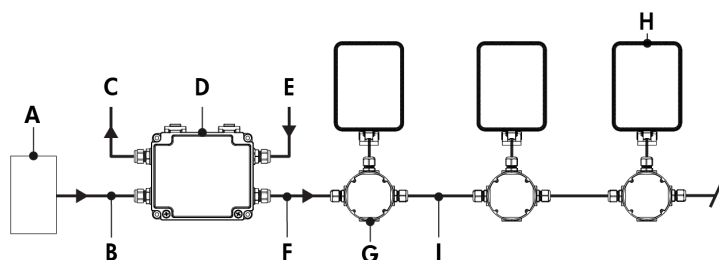
Configuration/Voltage	120V	208V	240V	277V
LQS	32	32	32	32

Based on 15A maximum, 16AWG cable, fixtures spaced 10 ft on center, first fixture 50 ft from CBX.

- Consult CBX installation instructions for additional wiring details.
- Consult factory for specific applications and maximum fixture count/cable length recommendations.
- The DMX/RDM protocol states a maximum of 32 DMX/RDM enabled fixtures on any single run.
- Maximum of 4 DMX/RDM repeaters/CBX cascading in line.
- Maximum of 6 outputs per CBX-ST.
- DMX/RDM1 control option requires 1 DMX address. DMX/RDM control option requires 3 DMX addresses.
- DMX terminator is required at the end of each run to maintain data integrity. Six (6x) DMX lumenterminators included per CBX-ST. See installation instructions for details.
- 14 watts per fixture.

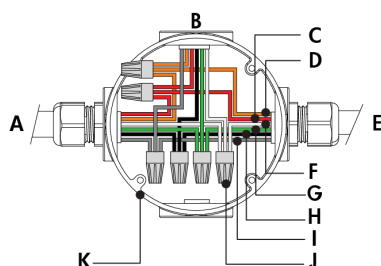
Daisy Chain Layout (Dim to Warm Via DMX/RDM1* or 3-Channel DMX/RDM)

***Available for DWW Version Only, 2700K to 2200K**



- A - DMX/RDM controller (order separately from Lumenpulse, or by others)
- B - Data input (Belden 9841 or equivalent, by others)
- C - Data output to next CBX (optional, not isolated/not boosted)
- D - CBX-DS
- E - Power input (120-277V, wiring by others)
- F - Power and data output to fixture (wiring by others)
- G - Junction box (by others)
- H - Lumenquad Small
- I - Power and data wiring (by others)

Daisy Chain Layout (DMX/RDM1 or DMX/RDM) - Wiring Detail (First or Middle of Run)



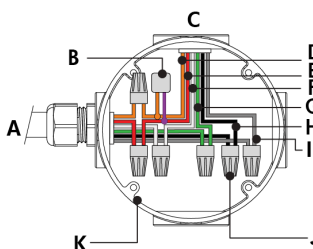
- A - From CBX or previous fixture
- B - To fixture
- C - Data -
- D - Data +
- E - To next fixture
- F - Neutral
- G - Line
- H - Ground
- I - Signal common
- J - Wire-nuts (by others)
- K - Junction box (by others)

Maximum Fixture Count

Maximum number of fixtures per run (Based on 15A maximum, 16AWG cable, fixtures spaced 10ft on center, first fixture 50ft from CBX)

Configuration/Voltage	120V	208V	240V	277V
LQS	32	32	32	32

Daisy Chain Layout (DMX/RDM1 or DMX/RDM) - Wiring Detail (End of Run)

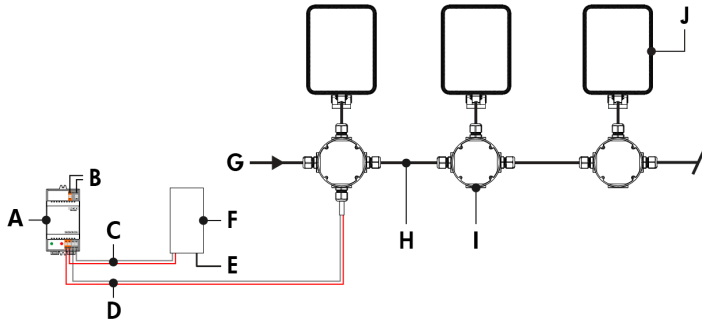


- A - From CBX or previous fixture
- B - Lumenterminator*
- C - To fixture
- D - Data -
- E - Data +
- F - Neutral
- G - Ground
- H - Line
- I - Signal common
- J - Wire-nuts (by others)
- K - Junction box (by others)

Based on 15A maximum, 16AWG cable, fixtures spaced 10 ft on center, first fixture 50 ft from CBX.

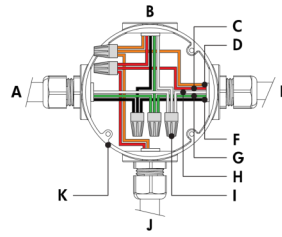
- Consult CBX installation instructions for additional wiring details.
- Consult factory for specific applications and maximum fixture count/cable length recommendations.
- The DMX/RDM protocol states a maximum of 32 DMX/RDM enabled fixtures on any single run.
- Maximum of 4 DMX/RDM repeaters/CBX cascading in line.
- Maximum of 1 output per CBX-DS.
- Maximum of 3 ft cable length between fixture and next junction box for daisy chain layout.
- DMX/RDM1 control option requires 1 DMX address. DMX/RDM control option requires 3 DMX addresses.
- DMX terminator is required at the end of each run to maintain data integrity. Two (2x) DMX lumenterminators included per CBX-DS. See installation instructions for details.
- 14 watts per fixture.

DALI 2 T8 (DALIT8)



- A** - DALI bus power supply (by others)
- B** - Power input for DALI bus power supply (wiring by others)
- C** - Data output to DALI controller (wiring by others)
- D** - Data output to fixture (wiring by others)
- E** - Power input for DALI controller (if required, wiring by others)
- F** - DALI controller (by others)
- G** - Power input (120-277V AC, wiring by others)
- H** - Power and data wiring (by others)
- I** - Junction box (by others)
- J** - Lumenquad Small

DALI 2 T8 (DALIT8) - Wiring Detail



- A** - Power input or from previous fixture
- B** - To fixture
- C** - DA +
- D** - DA -
- E** - To next fixture
- F** - Line
- G** - Ground
- H** - Neutral
- I** - Wire-nut (by others)
- J** - From DALI controller (by others)
- K** - Junction box (by others)

- Consult factory for specific applications and maximum fixture count/cable length recommendations.
- Maximum of 64 DALI fixtures per DALI loop.
- The Lumenbeam responds to RGBWAF controls.
- Commissioning may be required based on the selection of 3rd party DALI controller. Controller and commissioning provided by others.
- 14 watts per fixture.

How to Order

Housing	Voltage ⁽²⁾	Color and Color Temperature	Optic	Optical Option ⁽⁴⁾	Mounting Options ⁽⁶⁾
LQS Lumenquad Small ⁽¹⁾	120 120 Volts 208 208 Volts 220 220 Volts 240 240 Volts 277 277 Volts	DWW Dynamic Warm White (2200K to 3000K) DWH Dynamic White (2700K to 6500K)	VN Very Narrow 6° ⁽³⁾ NS Narrow Spot 10° ⁽³⁾ NF Narrow Flood 20° ⁽³⁾ M Medium 30° ⁽³⁾ FL Flood 40° ⁽³⁾ WFL Wide Flood 60° ⁽³⁾ VWFL Very Wide Flood 90° ⁽³⁾ NAS Narrow Asymmetric ⁽³⁾ WW Asymmetric Wallwash ⁽³⁾	LSLH Linear Spread Lens Horizontal Distribution ⁽⁵⁾ LSLV Linear Spread Lens Vertical Distribution ⁽⁵⁾ HL Honeycomb Louver ⁽⁵⁾	SM Surface Mount WM Wall Mount Bracket with Decorative Cover WMNC Wall Mount Bracket without Decorative Cover WAM6 Wall Arm Mount 6 in with Decorative Cover WAM6NC Wall Arm Mount 6 in without Decorative Cover WAM12 Wall Arm Mount 12 in with Decorative Cover WAM12NC Wall Arm Mount 12 in without Decorative Cover WAM18 Wall Arm Mount 18 in with Decorative Cover WAM18NC Wall Arm Mount 18 in without Decorative Cover WAM24 Wall Arm Mount 24 in with Decorative Cover ⁽⁷⁾ WAM24NC Wall Arm Mount 24 in without Decorative Cover ⁽⁷⁾ WMRJB Recessed JBOX Wall Mount with Decorative Cover WMRJBNC Recessed JBOX Wall Mount without Decorative Cover WAMRJB6 Recessed JBOX Wall Arm Mount 6 in with Decorative Cover WAMRJB6NC Recessed JBOX Wall Arm Mount 6 in without Decorative Cover WAMRJB12 Recessed JBOX Wall Arm Mount 12 in with Decorative Cover WAMRJB12NC Recessed JBOX Wall Arm Mount 12 in without Decorative Cover WAMRJB18 Recessed JBOX Wall Arm Mount 18 in with Decorative Cover WAMRJB18NC Recessed JBOX Wall Arm Mount 18 in without Decorative Cover WAMRJB24 Recessed JBOX Wall Arm Mount 24 in with Decorative Cover WAMRJB24NC Recessed JBOX Wall Arm Mount 24 in without Decorative Cover RPM4/1 Round Pole Mount 4 in RPM4.5/1 Round Pole Mount 4.5 in RPM5/1 Round Pole Mount 5 in RPM4/2 Round Pole Mount 4 in for two fixtures RPM4.5/2 Round Pole Mount 4.5 in for two fixtures RPM5/2 Round Pole Mount 5 in for two fixtures PLTU Lumentech Pole Mount ⁽⁸⁾ TN2 Tenon Adapter for 2 3/8 in O.D. Pole TN4 Tenon Adapter for 4 in O.D. Pole

					SK Stake Mount
					STM Stud mount ⁽⁹⁾

Notes:

1. Consult factory for products that are BAA-approved (Buy American Act).
2. Consult factory for 100 volts.
3. Factory installed, not interchangeable on site.
4. Optical options are factory installed and cannot be changed in the field.
5. Not available with WFL, VWFL, NAS and WW optics.
6. All mounting options (except for SM mounting) are interchangeable. Consult factory for details.
7. A cable length of 10 ft or greater must be specified.
8. Available for Lumentech poles with a square or round profile. A PLTU - Universal Yoke accessory must be ordered with the Lumentech pole for the Lumentech to fill with the PLTU mounting option. Refer to Lumentech specification sheet and installation instructions for more details.
9. For thru-wall mounting.

How to Order

Finish	Control ⁽¹³⁾ ⁽¹⁵⁾	Option	Certification	Cable Length ⁽¹⁷⁾ ⁽²²⁾ ⁽²⁴⁾
BK Black Sandtex®	DIM/DTW Dim to Warm via 0-10V (2700K to 2200K) ⁽¹⁴⁾	CRC Corrosion-Resistant Coating ⁽¹⁹⁾ ⁽²⁰⁾	UL UL Compliant	3FT 3 ft ⁽¹⁷⁾ ⁽²³⁾
BRZ Bronze Sandtex®	DMX/RDM1 Dim to Warm via Single-Channel DMX/RDM (2700K to 2200K) ⁽¹⁴⁾ ⁽¹⁶⁾ ⁽¹⁷⁾		CE CE Compliant ⁽²¹⁾	10FT 10 ft
SI Silver Sandtex®				20FT 20 ft
WH Smooth White	DMX/RDM 3-Channel Color Temperature Control via DMX/RDM ⁽¹⁶⁾ ⁽¹⁷⁾			30FT 30 ft
BKTX Textured Black	DALIT8 DALI 2 T8 Enabled Dimming 0.1% ⁽¹⁸⁾			50FT 50 ft
BRZTX Textured Bronze Non-Metallic				70FT 70 ft
GRATX Textured Medium Gray				100FT 100 ft
GRNTX Textured Green				
WHTX Textured White				
CC Custom Color & Finish ⁽¹⁰⁾ ⁽¹¹⁾ ⁽¹²⁾				

Notes:

- 10. Lumenpulse offers a wide selection of RAL CLASSIC (K7) colors with a smooth texture and high-gloss finish. Please consult factory for a list of available K7 colors, other RAL textures and glosses, or to match alternate color charts. Final color matching results may vary.
- 11. Longer lead times can be expected for custom RAL color finishes.
- 12. Setup charges apply for RAL colors. Consult factory for details.
- 13. Lumentalk system is enabled with LDB-DMX accessory. DMX/RDM must be specified in the order code. See the typical wiring diagrams in the specification sheet for details.
- 14. Available for DWW color temperature option only.
- 15. A Lumentranslator 2 (LTL2) and LumenID (LID) must be specified for Lumentalk applications. Consult Lumentranslator 2 and Lumentalk pages and specification sheets for details.
- 16. A control box (CBX) and LumenID (LID) must be specified.
- 17. Maximum of 3 ft cable length for daisy chain DMX applications with CBX-DS.
- 18. DALI 2 T8 controller required, provided by others. DALI2 T8 control uses a single DALI short address.
- 19. Use only when exposed to salt spray. This option is not required for normal outdoor exposure.
- 20. Setup charges apply. Consult factory for details.
- 21. Consult European specification sheet and installation instructions for CE wiring information.
- 22. Not applicable to WMRJB, WMRJBNC and WAMRJB 6 in to 24 in mounting options (with or without decorative cover). Cable lengths for these mounting options are determined by the length of the mounting bracket.
- 23. Not available with WAM24 or WAM24NC mounting options.
- 24. UL fixtures specified with a Smooth white finish and a SM, WM, WMNC, or WAM 6 in to 24 in mounting option (with or without decorative cover) are provided with a white cable. A black cable is provided for all other fixture configurations.