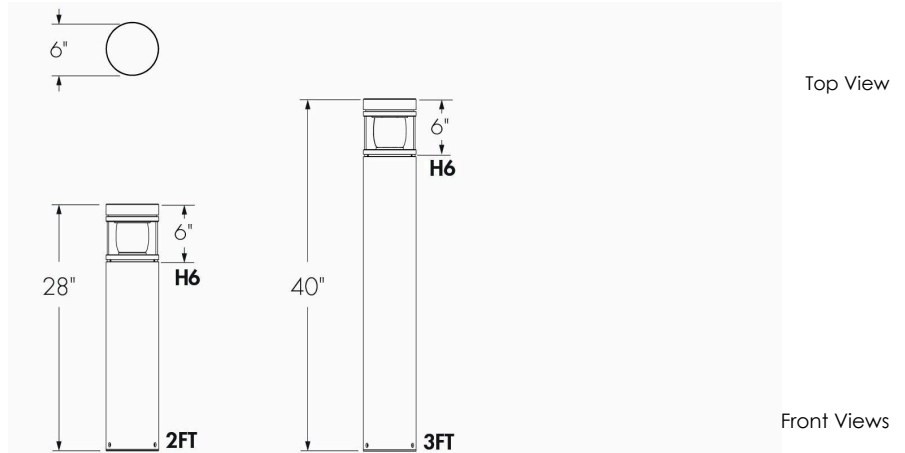
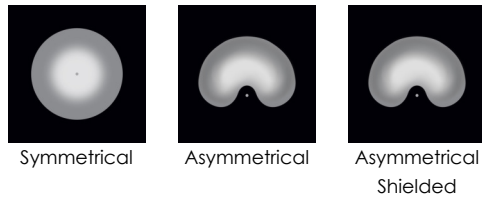


Project Name _____ Qty _____

Type _____ Catalog / Part Number _____



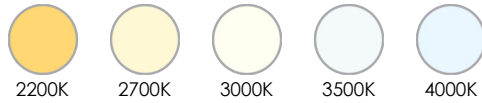
Distributions



Description

The Lumenalta Bollard Invisio™ features a sleek, cylindrical form designed for pedestrian scale lighting. The groundbreaking Invisio optic delivers a new level of visual comfort, using a patented faceted light guide that hides the source, lowers brightness and delivers exceptional uniformity without compromise.

Color and Color Temperature



Features

Dimensions	6: 6 in
Optical System	IVO: Invisio Soft Optic
Lens Finish	CL: Clear Lens
Total Height (Nominal)	2FT: 28 in, 3FT: 40 in
Color and Color Temperature	22K: 2200K 27K: 2700K 30K: 3000K 35K: 3500K 40K: 4000K

Color Rendering

CRI 70+ CRI 80+ CRI 90+

Control

0-10V lumen talk DALI

Distributions	SYM: Symmetrical ASY: Asymmetrical ASYS: Asymmetrical Shielded
----------------------	---

Lumencycle™ Program



Options	Corrosion-Resistant Coating for Hostile Environments Surge Protector Button Type Photocell Ground Fault Duplex Receptacle Duplex Receptacle with USB A and USB C Vibration Rated for Bridge and Overpass Normal Vibration Rating
----------------	--

Ingress Protection Rating

IP66 (optical chamber)

Warranty	5-year limited warranty
-----------------	-------------------------

Impact Resistance Rating

IK07
(PMMA
Lens)

Certifications



Performance

Color Rendering	CRI 70: CRI 70+ CRI 80: CRI 80+ CRI 90: CRI 90+
Maximum Delivered Output	1,455 lm (SYM Distribution, 4000K, CRI 70+, HO Output) 706 lm (ASY Distribution, 4000K, CRI 70+, HO Output)
Color Consistency	1 SDCM for CRI 70+, CRI 80+ and CRI 90+
Lumen Maintenance	TM-21 L70 > 102,000 hrs (reported, Ta 25 - 50 °C [77 - 122 °F])

Physical

Head Height	H6: 6 in (1 Stack)
Housing Material	Cast aluminum, Extruded aluminum
Lens Material	Cast acrylic (PMMA)
Hardware Material	Stainless steel
Weight	2 ft Bollard: 11 lbs 3 ft Bollard: 12.3 lbs
Surface Finish	Super durable resistant exterior polyester powder coating meets AAMA 2604-98 requirements (5-years Florida exposure). A corrosion resistant finish (CRC) pre-finish is available to meet ASTM B-117 & ASTM D-1654 (salt spray resistance) and ASTM D-2247 requirements (humidity resistance).

Electrical and Control

Voltage	120: 120 Volts, 208: 208 Volts, 240: 240 Volts, 277: 277 Volts, 347: 347 Volts, 480: 480 Volts
Control	DIM: 0-10V Dimming LT: Lumentalk Enabled Dimming DALI: DALI Dimming

Environmental

Storage Temperature	-40°C to 50°C [-40°F to 122°F] (device must reach start-up temperature value before operating)
Start-up Temperature	-40°C to 50°C [-40°F to 122°F]
Operating Temperature	-40°C to 50°C [-40°F to 122°F]
Ingress Protection Rating	IP66 (optical chamber)
Impact Resistance Rating	IK07 (PMMA Lens)
Environment	Dry/damp/wet location

Important

Virtual Patent Marking Notice

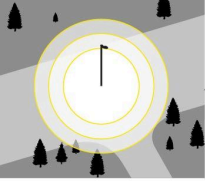
This website (<https://www.lmpg.com/patents-trademarks>) is provided to satisfy the virtual patent marking provisions of applicable jurisdictions. Some products listed may be covered by additional patents not referenced here.

Lumencycle™ Program

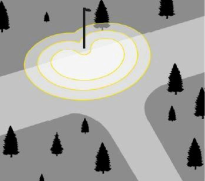
Lumencycle is a comprehensive program designed to maximize the life of Lumenpulse fixtures while preserving their performance, quality, and design intent. Built around three pillars—Repair, Restore, and Recycle—the program provides clear pathways to maintain existing installations, restore fixtures, and responsibly manage them at end of life. For full program details, visit <https://www.lumenpulse.com/lumencycle>.

Photometric Information

SYM, 4000K, CRI 70+

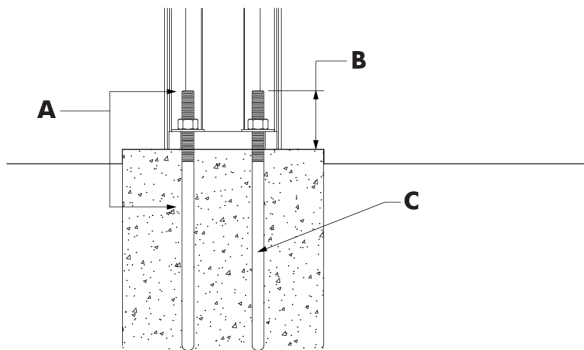
	Nominal Output [lm]	Typical Delivered Output [lm]	Efficiency (lm/W)	BUG Rating			Typical Maximum Power 120/277V (W)
				B	U	G	
VSO		699	100	1	3	1	7
SO		847	80	1	3	1	11
RO		1,065	80	1	3	1	13
HO		1,455	77	1	3	1	19

ASY, 4000K, CRI 70+

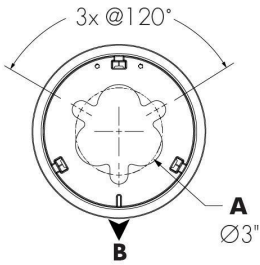
	Nominal Output [lm]	Typical Delivered Output [lm]	Efficiency (lm/W)	BUG Rating			Typical Maximum Power 120/277V (W)
				B	U	G	
VSO		339	96	0	2	1	4
SO		411	75	0	2	1	6
RO		517	74	0	3	1	7
HO		706	73	0	3	1	10

Photometric performance is measured in compliance with IESNA LM-79-24. Due to rapid and continuous advance in LED technology, photometric information is subject to change without notice.

Anchoring Details



- A - Galvanized steel portion
- B - The threads of anchors must protrude between 2 in and 2.5 in from concrete base.
- C - (3X) Ø 1/2" by 12 in anchors, supplied with two nuts and flat washers for each.



A - Bolt circle
B - Street side

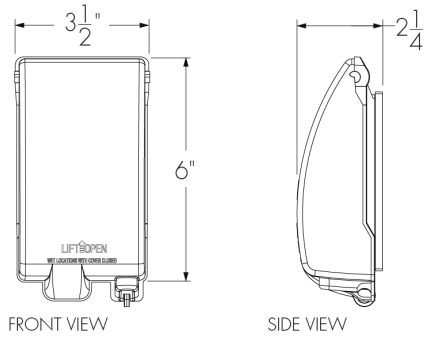
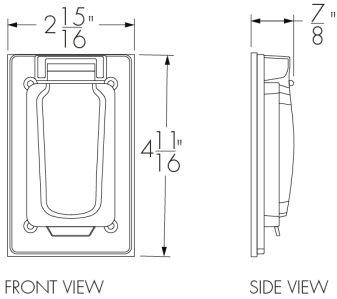
Duplex Receptacle Details

DRG - Ground Fault Duplex Receptacle

USB - Duplex Receptacle with USB A and USB C

DRG IU - Ground Fault Duplex Receptacle (While in Use)

USB IU - Duplex Receptacle with USB A and USB C (While In Use)



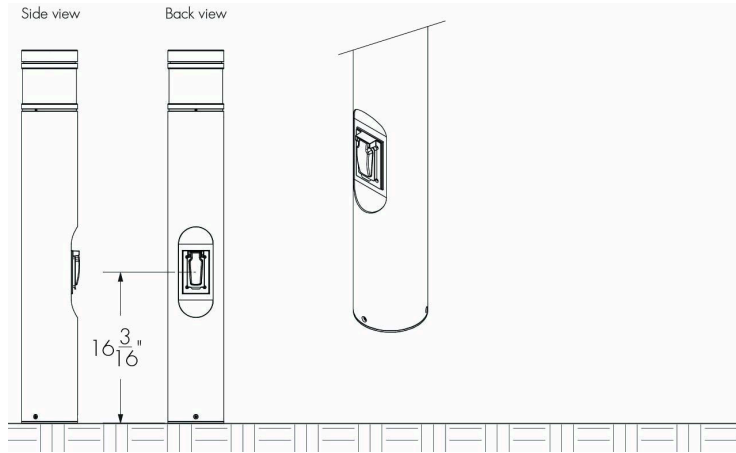
DRG and USB options are not suitable under the Canadian Electrical Code (CEC) for product installations in Canada. Only the DRG IU or USB IU are suitable for products installed in Canada.

* Weather-resistant and lockable cover (padlock by others)

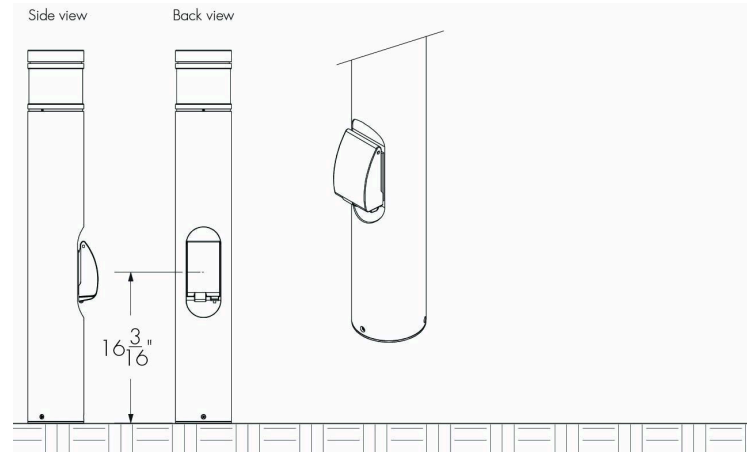
The duplex receptacle must be installed in accordance with applicable national and local electrical and construction codes by a person familiar with the construction and operation of the product and the hazards involved. Refer to national and local electrical codes before selecting a duplex receptacle to ensure all requirements are met.

Duplex Receptacle Installation Dimensions

DRG - Ground Fault Duplex Receptacle
USB - Duplex Receptacle with USB A and USB C
as Installed



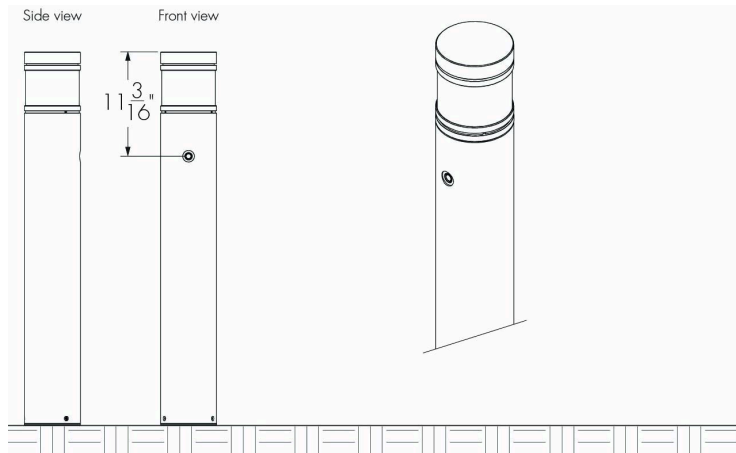
DRG IU - Ground Fault Duplex Receptacle (While in Use)
USB IU - Duplex Receptacle with USB A and USB C (While In Use)
as Installed



Duplex receptacle (DRG, USB, DRG IU and USB IU) is installed on the side opposite to street side. (consult factory for others configurations).

Button Type Photoelectric Cell Installation Dimensions

PB - Button Type Photoelectric Cell



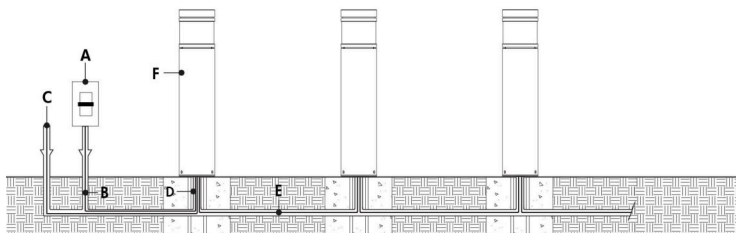
Button Type Photoelectric Cell (PB) is installed on the street side.

Typical Wiring Diagrams

Wiring Color Code

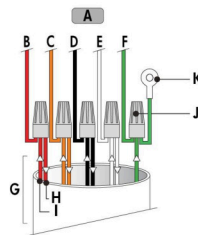
Color	Black	White	Green	Purple/Red	Gray/Orange
Use	Line	Line/Neutral	Ground	0-10V+ /Data +	0-10V- /Data -

0-10V Dimming (DIM)



- A** - Dimmer (by others)
- B** - Data wiring (by others)
- C** - Power input (120-480V, wiring by others)
- D** - Conduit (by others)
- E** - Power and data wiring (by others)
- F** - Lumenalta Bollard

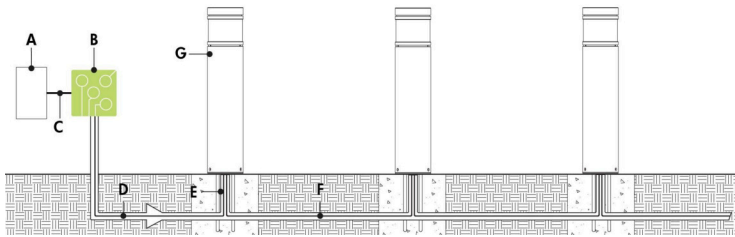
0-10V Dimming (DIM) - Wiring Detail



- A** - To fixture
- B** - 0-10V +
- C** - 0-10V -
- D** - Line
- E** - Neutral
- F** - Ground
- G** - Conduit (by others)
- H** - To next fixture
- I** - Power input or from previous fixture
- J** - Wire-nuts (by others)
- K** - Ground lug

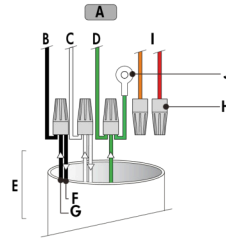
- Consult factory for specific applications and maximum fixture count/cable length recommendations.
- 0-10V mA ratings: passive dimmer (Current Sink): 3mA per fixture, active dimmer (Current Source): 0.5mA per fixture.
- 1% minimum dimming value.

Lumentalk (LT)



- A** - Dimmer/controller (order separately from Lumenpulse, or by others)
- B** - Lumentranslator (LTL-010, -DMX, -TRIAC, -DALI)
- C** - Data wiring (by others)
- D** - Power line (120-277V, wiring by others)
- E** - Conduit (by others)
- F** - Power wiring (by others)
- G** - Lumenalta Bollard

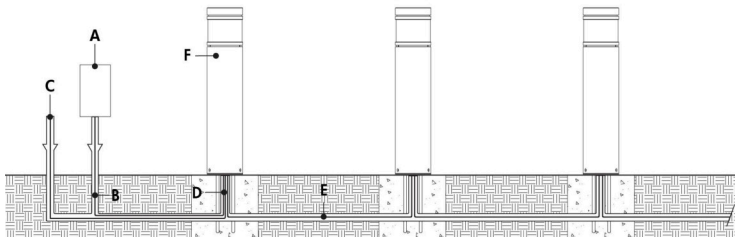
Lumentalk (LT) - Wiring Detail



- A** - To fixture
- B** - Line
- C** - Neutral
- D** - Ground
- E** - Conduit (by others)
- F** - To next fixture
- G** - Power input or from previous fixture
- H** - Wire-nuts (by others)
- I** - Not required
- J** - Ground lug

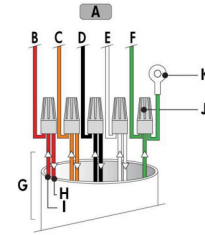
- Consult factory for specific applications and maximum fixture count/cable length recommendations.
- Lumentalk enabled fixtures must be commissioned using LumentalkID software and a LID-LT. Consult factory for details.
- Maximum of 1 transmitter (Lumentranslator or Lumenlink) per system.
- No third party fixtures allowed on the same circuit.
- For DMX applications: 1 DMX controller per Lumentalk network, maximum of 48 DMX channels per Lumentalk network (minimum step transition update rate is 1 second, minimum fade time between two colors is 1 minute). Consult factory for applications that require additional capabilities.
- Consult factory for DALI Lumentalk applications.
- 1% minimum dimming value.

DALI Dimming (DALI)



- A** - DALI controller (by others)
- B** - Data wiring (by others)
- C** - Power input (120-480V, wiring by others)
- D** - Conduit (by others)
- E** - Power and data wiring (by others)
- F** - Lumenalta Bollard

DALI Dimming (DALI) - Wiring Detail



- A** - To fixture
- B** - Data +
- C** - Data -
- D** - Line
- E** - Neutral
- F** - Ground
- G** - Conduit (by others)
- H** - To next fixture
- I** - Power input or from previous fixture
- J** - Wire-nuts (by others)
- K** - Ground lug

- Consult factory for specific applications and maximum fixture count/cable length recommendations.
- Maximum of 64 DALI fixtures per DALI loop.
- 1% minimum dimming value.

How to Order

Housing	Dimensions	Voltage	Total Height (Nominal)	Optical System	Head Height	Lens Finish	Output (Nominal Lumens)	Color and Color Temperature	Color Rendering
ALTB Lumenalta Bollard	6 6 in	120 120 Volts	2FT 28 in	IVO Invisio Soft Optic	H6 6 in (1 Stack)	CL Clear Lens	VSO Very Soft Output (250lm Asymmetric/500lm Symmetric per Stack) ⁽³⁾	22K 2200K	CRI 70 CRI 70+ ⁽⁴⁾
		208 208 Volts	3FT 40 in						
		240 240 Volts							
		277 277 Volts							
		347 347 Volts ^{(1) (2)}							
480 480 Volts ^{(1) (2)}									
							SO Soft Output (375lm Asymmetric/750lm Symmetric per Stack) ⁽³⁾	27K 2700K	CRI 80 CRI 80+
							RO Regular Output (500lm Asymmetric/1000lm Symmetric per Stack) ⁽³⁾	30K 3000K	CRI 90 CRI 90+ ⁽⁵⁾
							HO High Output (750lm Asymmetric/1500lm Symmetric per Stack)	35K 3500K	
								40K 4000K	

Notes:

- 1. Not available with LT control option.
- 2. Not available with PB Button Type Photocell option.
- 3. The 0-10V control signal from the dimmer must be lower than 0.5V (+/- 150mV) to achieve Dim-to-Off.
- 4. Not available with 22K and 27K color temperatures.
- 5. Not available with 22K color temperature.

How to Order

Distributions	Finish	Control	Option	Anchor Bolts Option
<p>SYM Symmetrical</p> <p>ASY Asymmetrical</p> <p>ASYS Asymmetrical Shielded</p>	<p>BK Black Sandtex®</p> <p>BRZ Bronze Sandtex®</p> <p>SI Silver Sandtex®</p> <p>BKTX Textured Black</p> <p>BRZTX Textured Bronze Non-Metallic</p> <p>GRATX Textured Medium Gray</p> <p>GRNTX Textured Green</p> <p>WHTX Textured White</p> <p>CC Custom Color & Finish ⁽⁶⁾ ⁽⁷⁾ ⁽⁸⁾</p>	<p>DIM 0-10V Dimming</p> <p>LT Lumentalk Enabled Dimming ⁽⁹⁾ ⁽¹⁰⁾</p> <p>DALI DALI Dimming ⁽¹¹⁾</p>	<p>VRN Normal Vibration Rating ⁽¹²⁾</p> <p>VRBO Vibration Rated for Bridge and Overpass ⁽¹²⁾</p> <p>CRC Corrosion-Resistant Coating ⁽¹³⁾ ⁽¹⁴⁾</p> <p>SP Surge Protector</p> <p>PB Button Type Photocell ⁽¹⁾ ⁽¹⁵⁾</p> <p>DRG Ground Fault Duplex Receptacle ⁽¹⁾ ⁽¹⁵⁾ ⁽¹⁶⁾ ⁽¹⁷⁾</p> <p>DRG IU Ground Fault Duplex Receptacle (While in Use) ⁽¹⁾ ⁽¹⁵⁾ ⁽¹⁶⁾ ⁽¹⁷⁾</p> <p>USB Duplex Receptacle with USB A and USB C ⁽¹⁾ ⁽¹⁵⁾ ⁽¹⁶⁾ ⁽¹⁷⁾</p> <p>USB IU Duplex Receptacle with USB A and USB C (While in Use) ⁽¹⁾ ⁽¹⁵⁾ ⁽¹⁶⁾ ⁽¹⁷⁾</p>	<p>AB Anchor Bolts</p>

Notes:

- 1. Not available with LT control option.
- 6. Specify RAL number followed by "TX" for textured finish (ex: RAL9007TX) or STX for Sandtex finish (ex: RAL9007STX). Textured or Sandtex finishes are recommended for the durability of all products. If a finish is not specified with the RAL number (ex: RAL9007), a glossy finish will be provided. Please consult factory for other RAL textures and glosses, or to match alternate color charts. Final color matching results may vary.
- 7. Setup charges apply for RAL colors. Consult factory for details.
- 8. Longer lead times can be expected for custom RAL color finishes.
- 9. A Lumentranslator 2 (LTL2) and LumenID (LID) must be specified for Lumentalk applications. Consult Lumentranslator 2 and Lumentalk pages and specification sheets for details.
- 10. Not available for 347V and 480V voltage options.
- 11. DALI 2 T6 controller required, provided by others.
- 12. VRN or VRBO must be specified for all installations.
- 13. Use only when exposed to salt spray. This option is not required for normal outdoor exposure.
- 14. Setup charges apply. Consult factory for details.
- 15. Maximum operating temperature with is -31 °F.
- 16. Not available for 2 ft Total Height.
- 17. Only one duplex receptacle can be specified per fixture.