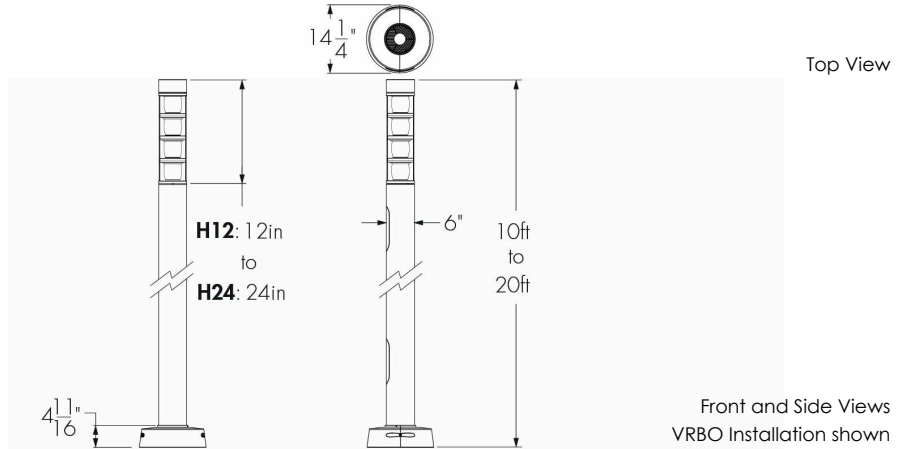
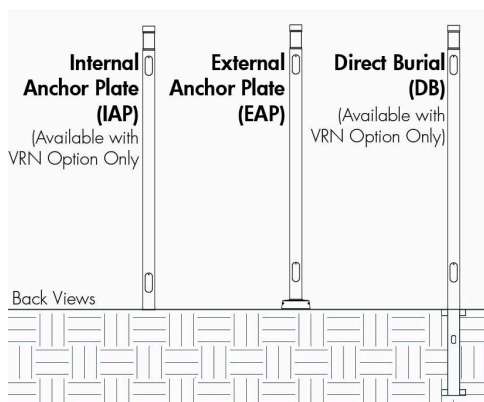


Project Name _____ Qty _____

Type _____ Catalog / Part Number _____



Configurations



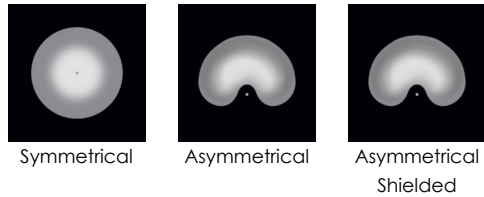
Description

The Lumenalta Column Invisio™ features a sleek, cylindrical form designed for pedestrian lighting. The groundbreaking Invisio optic delivers a new level of visual comfort, using a patented faceted light guide that hides the source and delivers exceptional uniformity. The new-to-market design features a matte black reflector that minimizes surface brightness with virtually no impact on distribution performance.

Features

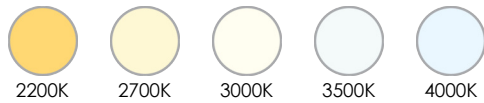
Dimensions	6: 6 in
Optical System	IVO: Invisio Soft Optic
Lens Finish	CL: Clear Lens
Total Height (Nominal)	10FT: 10 ft, 11FT: 11 ft, 12FT: 12 ft, 13FT: 13 ft, 14FT: 14 ft, 15FT: 15 ft, 16FT: 16 ft, 17FT: 17 ft, 18FT: 18 ft, 19FT: 19 ft, 20FT: 20 ft
Color and Color Temperature	22K: 2200K 27K: 2700K 30K: 3000K 35K: 3500K 40K: 4000K

Distributions



Distributions	SYM: Symmetrical ASY: Asymmetrical ASYS: Asymmetrical Shielded
----------------------	-------------------------------------------------------------------------------------------

Color and Color Temperature



Color Rendering

CRI 70+ CRI 80+ CRI 90+

Control

0-10V  DALI

Motion Detector Options



Lumencycle™ Program



Ingress Protection Rating

IP66 (optical chamber)

Impact Resistance Rating

IK06
(PMMA
Lens)

Certifications



Options

Corrosion-Resistant Coating for Hostile Environments
Surge Protector
Button Type Photocell
Motion Detector
3-Pin Receptacle With or Without Shorting Cap
5-Pin Receptacle With or Without Shorting Cap
Ground Fault Duplex Receptacle
Duplex Receptacle with USB A and USB C
Vibration Rated for Bridge and Overpass
Normal Vibration Rating
Internal Anchor Plate
External Anchor Plate
Direct Burial

Base Cover Options

WL: Round Base Cover WL for 6 in Pole
WC: Round Base Cover WC for 6 in Pole
WO: Round Base Cover WO for 6 in Pole
WY: Round Base Cover WY for 6 in Pole

Warranty

5-year limited warranty

Performance

Color Rendering

CRI 70: CRI 70+
CRI 80: CRI 80+
CRI 90: CRI 90+

Maximum Delivered Output

7,303 lm (SYM Distribution, 4000K, CRI 70+, VHO Output, H24 Head Height)
3,557 lm (ASY Distribution, 4000K, CRI 70+, VHO Output, H24 Head Height)

Color Consistency

1 SDCM for CRI 70+, CRI 80+ and CRI 90+

Lumen Maintenance

TM-21 L70 > 102,000 hrs (reported, Ta 25 - 50 °C [77 - 122 °F])

Physical

Head Height

H12: 12 in (2 Stacks), **H18:** 18 in (3 Stacks), **H24:** 24 in (4 Stacks)

Housing Material

Cast aluminum, Extruded aluminum

Lens Material

Cast acrylic (PMMA)

Hardware Material

Stainless steel

Weight

52.8 lbs to 94.1 lbs
Weight varies according to Total Height and Head Height selection; see Product Weight Table for details

Surface Finish

Super durable resistant exterior polyester powder coating meets AAMA 2604-98 requirements (5-years Florida exposure).
A corrosion resistant finish (CRC) pre-finish is available to meet ASTM B-117 & ASTM D-1654 (salt spray resistance) and ASTM D-2247 requirements (humidity resistance).

Electrical and Control

Voltage

120: 120 Volts, **208:** 208 Volts, **240:** 240 Volts, **277:** 277 Volts, **347:** 347 Volts, **480:** 480 Volts

Control	DIM: 0-10V Dimming LT: Lumentalk Enabled Dimming DALI: DALI Dimming
----------------	------------------------------------------------------------------------------------------------

Environmental

Storage Temperature	-40°C to 50°C [-40°F to 122°F] (device must reach start-up temperature value before operating)
Start-up Temperature	-40°C to 50°C [-40°F to 122°F]
Operating Temperature	-40°C to 50°C [-40°F to 122°F]
Ingress Protection Rating	IP66 (optical chamber)
Impact Resistance Rating	IK06 (PMMA Lens)
Environment	Dry/damp/wet location

Important

Virtual Patent Marking Notice

This website (<https://www.lmpg.com/patents-trademarks>) is provided to satisfy the virtual patent marking provisions of applicable jurisdictions. Some products listed may be covered by additional patents not referenced here.

Lumencycle™ Program

Lumencycle is a comprehensive program designed to maximize the life of Lumenpulse fixtures while preserving their performance, quality, and design intent. Built around three pillars—Repair, Restore, and Recycle—the program provides clear pathways to maintain existing installations, restore fixtures, and responsibly manage them at end of life. For full program details, visit <https://www.lumenpulse.com/lumencycle>.

Wind Speed and Pressure Tables

AASHTO Standard Specification

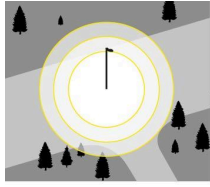
Total Height	Maximum Wind Speed (Mph)		
	EAP	IAP	DB
10	180	120	180
11	180	120	180
12	180	120	180
13	180	110	180
14	180	90	180
15	180	90	180
16	180	N/A	180
17	180	N/A	N/A
18	180	N/A	N/A
19	180	N/A	N/A
20	180	N/A	N/A

CSA Standard Specification

Total Height	Maximum Wind Pressure (Pa)		
	EAP	IAP	DB
10	800	800	800
11	800	800	800
12	800	500	800
13	800	400	800
14	800	400	800
15	800	300	800
16	800	N/A	800
17	800	N/A	N/A
18	800	N/A	N/A
19	800	N/A	N/A
20	800	N/A	N/A

Photometric Information

SYM, 4000K, CRI 70+



Head Height

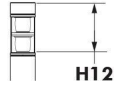
Nominal Output [lm]

Typical Delivered Output [lm]

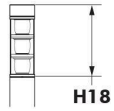
Efficiency (lm/W)

BUG Rating
B U G

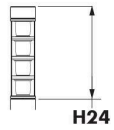
Typical Maximum Power
120/277V (W)



RO	2,148	84	1	3	2	26
-----------	-------	----	---	---	---	----

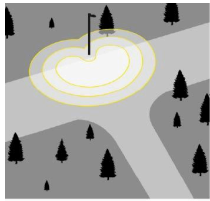


RO	3,222	85	2	3	2	38
-----------	-------	----	---	---	---	----



RO	4,296	84	2	3	3	51
HO	5,866	82	3	4	3	72
VHO	7,303	78	3	4	3	94

ASY, 4000K, CRI 70+



Head Height

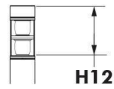
Nominal Output [lm]

Typical Delivered Output [lm]

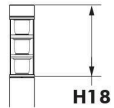
Efficiency (lm/W)

BUG Rating
B U G

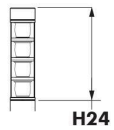
Typical Maximum Power
120/277V (W)



RO	1,046	81	0	3	2	13
-----------	-------	----	---	---	---	----



RO	1,569	83	0	3	2	19
-----------	-------	----	---	---	---	----



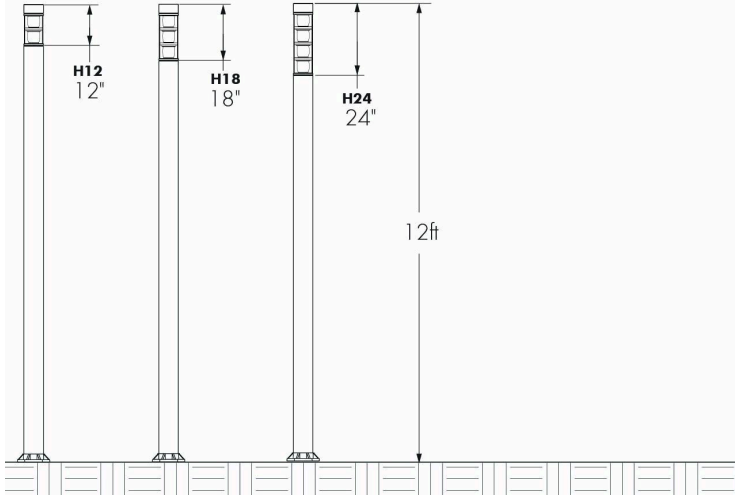
RO	2,091	85	1	3	2	25
HO	2,856	78	1	3	3	37
VHO	3,557	77	1	3	3	47

Photometric performance is measured in compliance with IESNA LM-79-24. Due to rapid and continuous advance in LED technology, photometric information is subject to change without notice.

Fixture Weight Table

	H12	H18	H24
10FT	52.8 lbs.	53.5 lbs.	54.3 lbs.
11FT	56.8 lbs.	57.4 lbs.	58.3 lbs.
12FT	60.7 lbs.	61.4 lbs.	62.3 lbs.
13FT	64.7 lbs.	65.3 lbs.	66.2 lbs.
14FT	68.6 lbs.	69.3 lbs.	70.2 lbs.
15FT	72.6 lbs.	73.3 lbs.	74.1 lbs.
16FT	76.6 lbs.	77.2 lbs.	78.1 lbs.
17FT	80.5 lbs.	81.2 lbs.	82.1 lbs.
18FT	84.5 lbs.	85.1 lbs.	86.0 lbs.
19FT	88.4 lbs.	89.1 lbs.	90.0 lbs.
20FT	92.4 lbs.	93.1 lbs.	94.1 lbs.

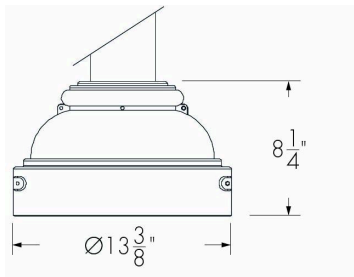
Luminaire Dimensions



Front views, Column with 12 ft total height shown.

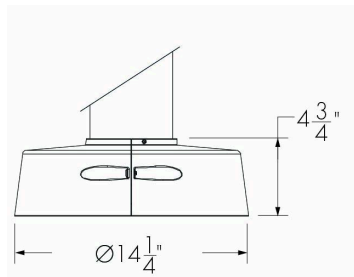
Base Cover Options Dimensions

WC - Round Base Cover WC For 6 in Column



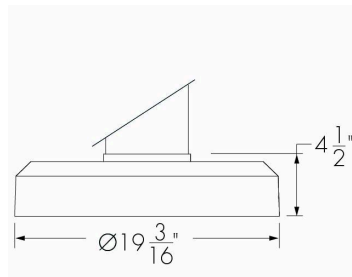
Side view

WL - Round Base Cover WL For 6 in Column



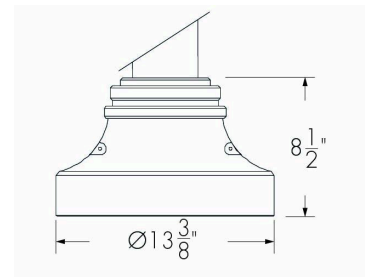
Side view

WO - Round Base Cover WO For 6 in Column



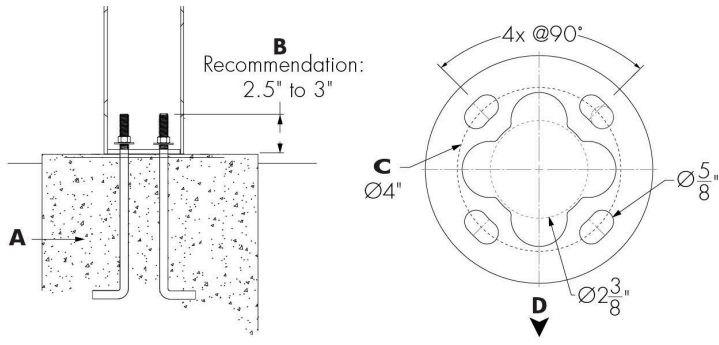
Side view

WY - Round Base Cover WY For 6 in Column



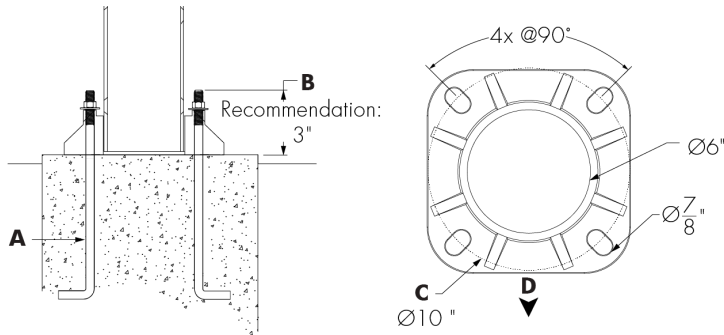
Side view

Internal Anchor Plate Installation Assembly Details and Dimensions (Available with VRN Option Only)



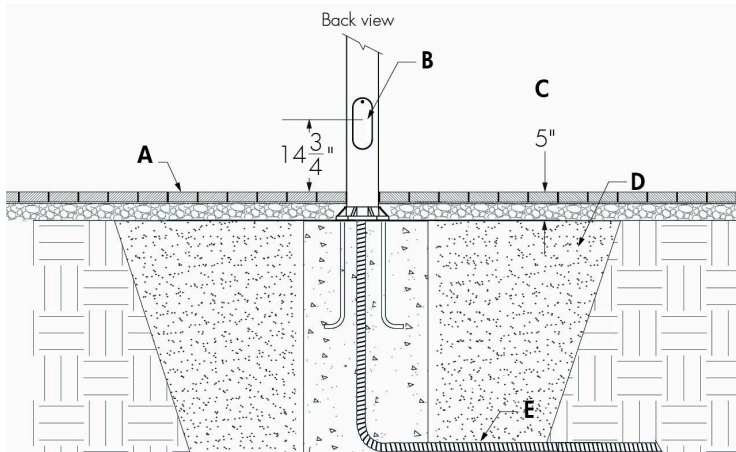
- A** - (4x) Ø1/2-13 in by 12 in long anchor bolts with flat washers and nuts for each.
- B** - 2.5 in to 3 in recommended to allow for assembly of nuts, washers and plate.
- C** - Bolt circle
- D** - Street Side. Access Door at 180 degrees from Street Side.

External Anchor Plate Installation Assembly Details and Dimensions



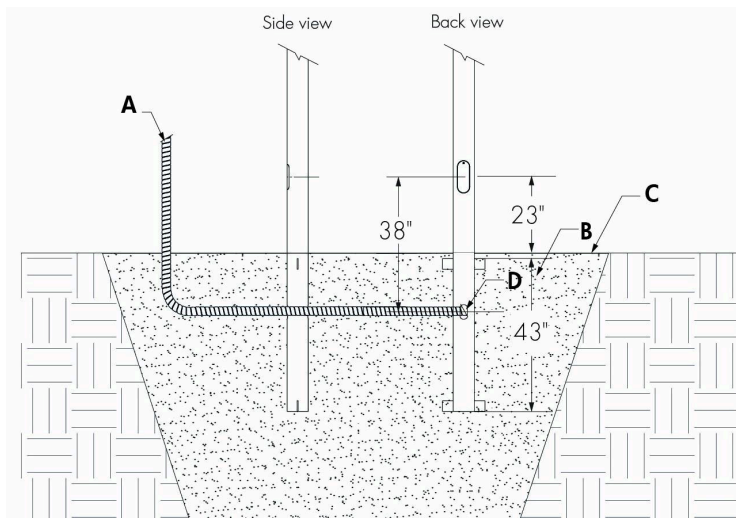
- A** - (4x) Ø3/4 in by 26 in long anchor bolts with flat washers and nuts for each.
- B** - 3 in recommended to allow for assembly of nuts, washers and plate.
- C** - Bolt circle
- D** - Street Side. Access Door at 180 degrees from Street Side.

Semi-Buried Installation Assembly Details and Dimensions



- A - Finished grade
- B - Access door
- C - Buried section, at least 4 in
- D - Filling
- E - Conduit and drainage (by others)

Direct Burial Installation Assembly Details and Dimensions (Available with VRN Option Only)

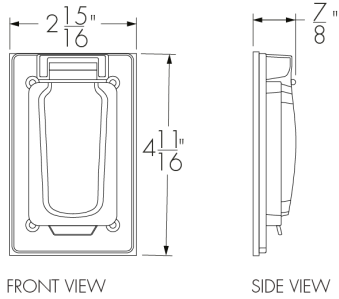


- A - Conduit (by others)
- B - Filling
- C - Finished grade
- D - Opening for conduit and proper drainage

Duplex Receptacle Details

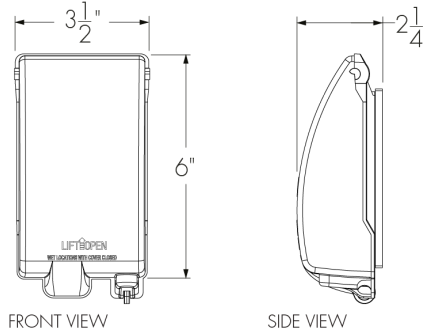
DRG - Ground Fault Duplex Receptacle

USB - Duplex Receptacle with USB A and USB C



DRG IU - Ground Fault Duplex Receptacle (While in Use)

USB IU - Duplex Receptacle with USB A and USB C (While In Use)

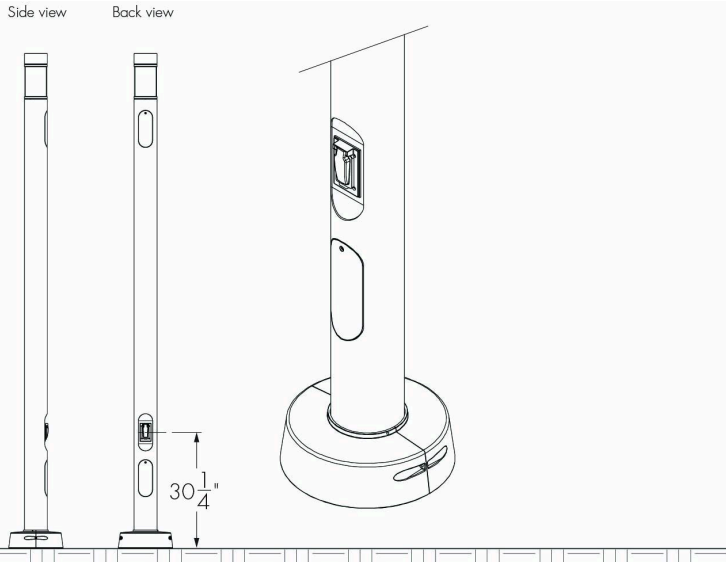


DRG and USB options are not suitable under the Canadian Electrical Code (CEC) for product installations in Canada. Only the DRG IU or USB IU are suitable for products installed in Canada.

* Weather-resistant and lockable cover (padlock by others)

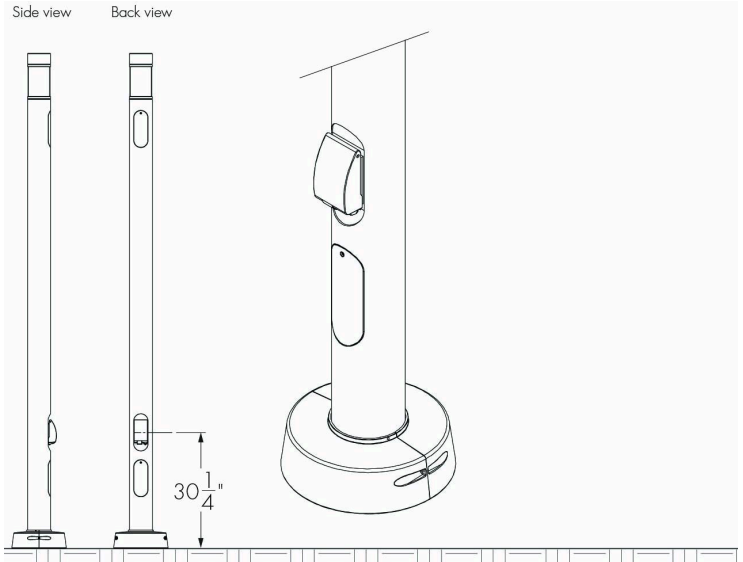
DRG - Ground Fault Duplex Receptacle

USB - Duplex Receptacle with USB A and USB C as Installed



DRG IU - Ground Fault Duplex Receptacle (While in Use)

USB IU - Duplex Receptacle with USB A and USB C (While In Use) as Installed

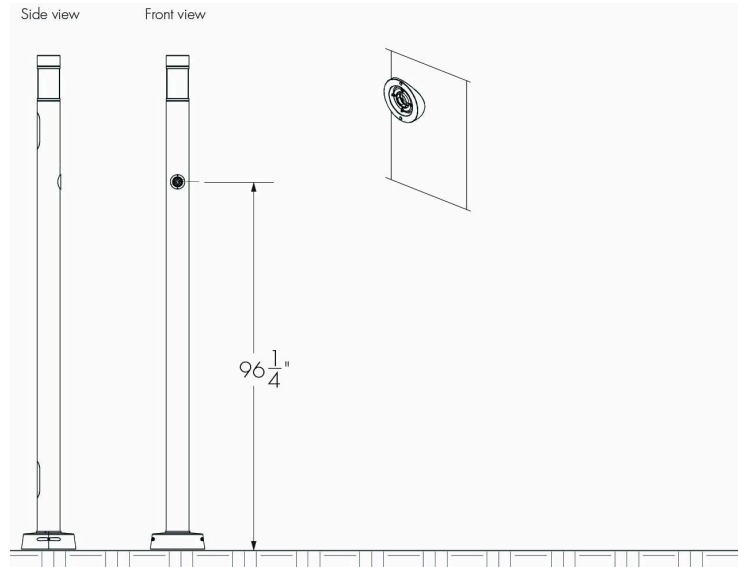


Duplex receptacle (DRG, USB, DRG IU and USB IU) is installed on the side opposite to street side. (consult factory for others configurations).

The duplex receptacle must be installed in accordance with applicable national and local electrical and construction codes by a person familiar with the construction and operation of the product and the hazards involved. Refer to national and local electrical codes before selecting a duplex receptacle to ensure all requirements are met.

Motion Detector Installation Dimensions

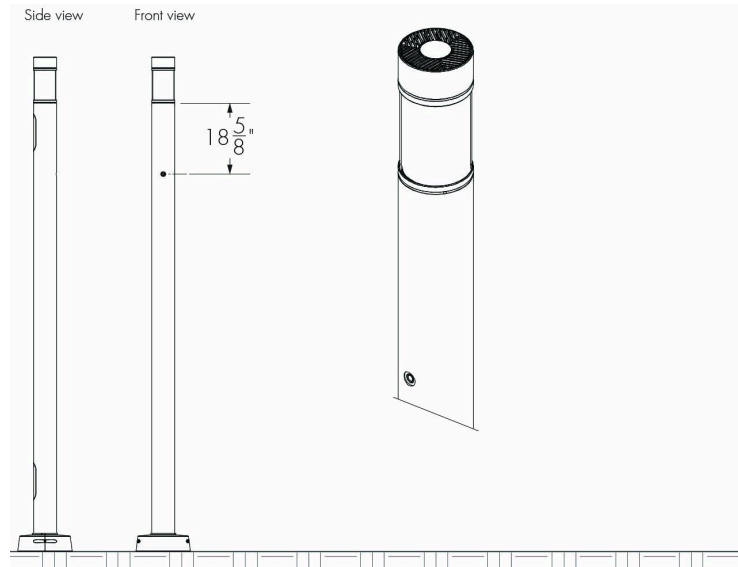
Motion Detector (MD10N, MD30N, MD50N, MD50BN, MD70BN and MDPN)



Motion Detector (MD) is installed on the street side.

Button Type Photoelectric Cell Installation Dimensions

PB - Button Type Photoelectric Cell



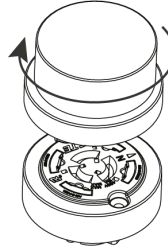
Button Type Photoelectric Cell (PB) is installed on the street side.

3-Pin and 5-Pin Receptacles Options

SPR3 and SPR5 - 3-Pin and 5-Pin Receptacles

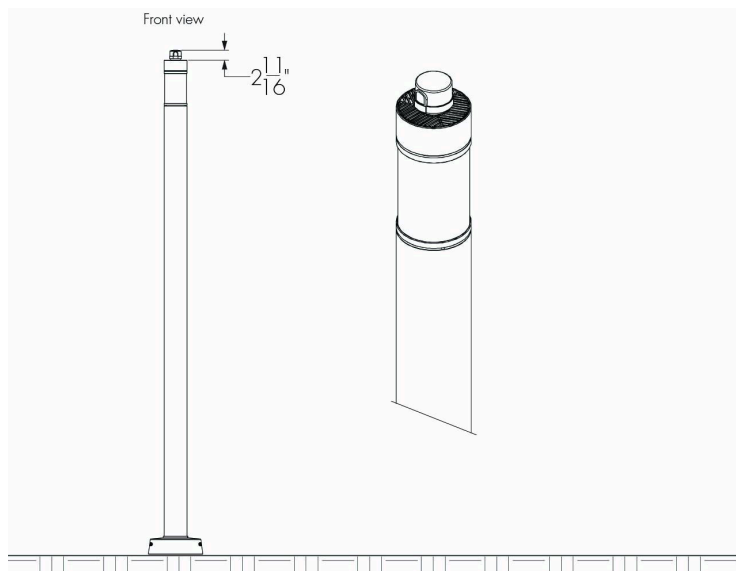


SPR3 SC and SPR5 SC - 3-Pin and 5-Pin Receptacles with Shorting Cap



- Dimming receptacle meets ANSI C136.41 Standard.

SPR3 SC and SPR5 SC - 3-Pin and 5-Pin Receptacles with Shorting Cap as Installed

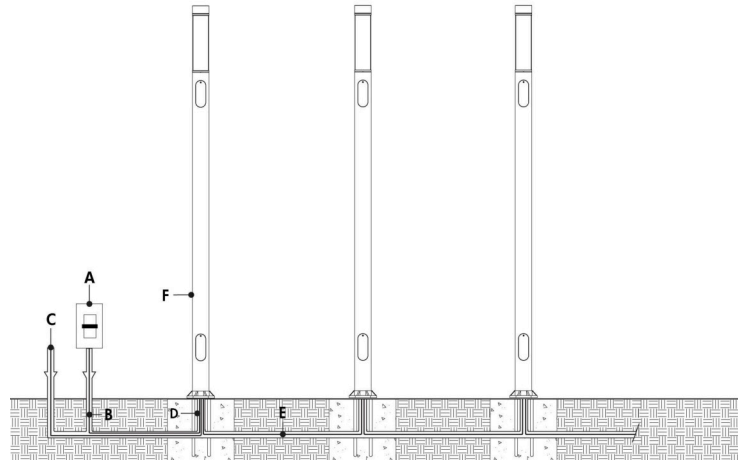


Typical Wiring Diagrams

Wiring Color Code

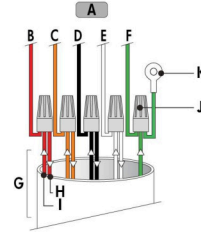
Color	Black	White	Green	Purple/Red	Gray/Orange
Use	Line	Line/Neutral	Ground	0-10V+ /Data +	0-10V- /Data -

0-10V Dimming (DIM)



- A - Dimmer (by others)
- B - Data wiring (by others)
- C - Power input (120-480V, wiring by others)
- D - Conduit (by others)
- E - Power and data wiring (by others)
- F - Luminalta Column

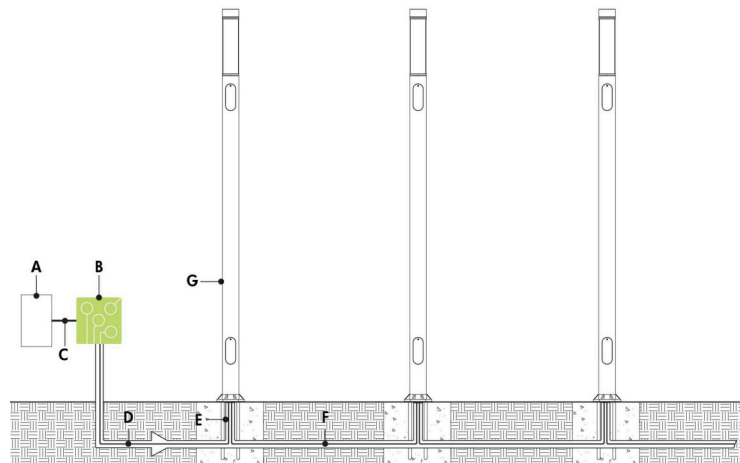
0-10V Dimming (DIM) - Wiring Detail



- A - To fixture
- B - 0-10V +
- C - 0-10V -
- D - Line
- E - Neutral
- F - Ground
- G - Conduit (by others)
- H - To next fixture
- I - Power input or from previous fixture
- J - Wire-nuts (by others)
- K - Ground lug

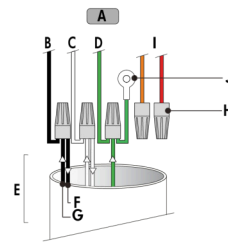
- Consult factory for specific applications and maximum fixture count/cable length recommendations.
- 0-10V mA ratings: passive dimmer (Current Sink): 3mA per fixture, active dimmer (Current Source): 0.5mA per fixture.
- 1% minimum dimming value.

Lumentalk (LT)



- A** - Dimmer/controller (order separately from Lumenpulse, or by others)
- B** - Lumentranslator (LTL-010, -DMX, -TRIAC, -DALI)
- C** - Data wiring (by others)
- D** - Power line (120-277V, wiring by others)
- E** - Conduit (by others)
- F** - Power wiring (by others)
- G** - Lumenalta Column

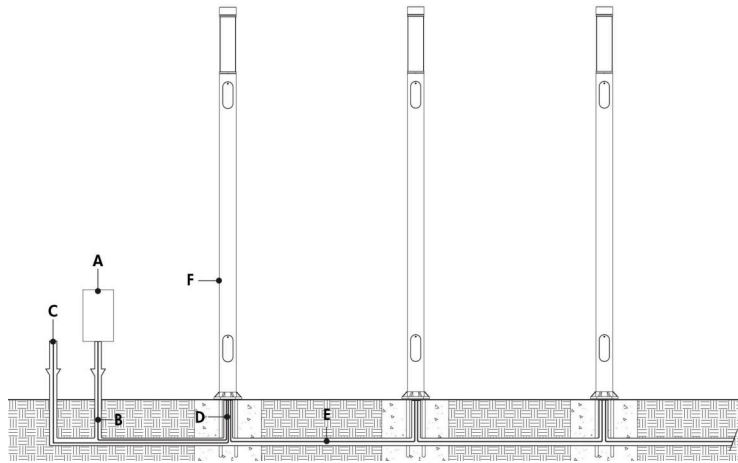
Lumentalk (LT) - Wiring Detail



- A** - To fixture
- B** - Line
- C** - Neutral
- D** - Ground
- E** - Conduit (by others)
- F** - To next fixture
- G** - Power input or from previous fixture
- H** - Wire-nuts (by others)
- I** - Not required
- J** - Ground lug

- Consult factory for specific applications and maximum fixture count/cable length recommendations.
- Lumentalk enabled fixtures must be commissioned using LumentalkID software and a LID-LT. Consult factory for details.
- Maximum of 1 transmitter (Lumentranslator or Lumenlink) per system.
- No third party fixtures allowed on the same circuit.
- For DMX applications: 1 DMX controller per Lumentalk network, maximum of 48 DMX channels per Lumentalk network (minimum step transition update rate is 1 second, minimum fade time between two colors is 1 minute). Consult factory for applications that require additional capabilities.
- Consult factory for DALI Lumentalk applications.
- 1% minimum dimming value.

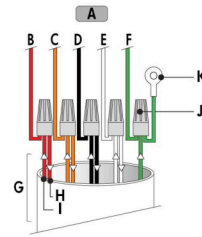
DALI Dimming (DALI)



- A** - DALI controller (by others)
- B** - Data wiring (by others)
- C** - Power input (120-480V, wiring by others)
- D** - Conduit (by others)
- E** - Power and data wiring (by others)
- F** - Lumenalta Column

- Consult factory for specific applications and maximum fixture count/cable length recommendations.
- Maximum of 64 DALI fixtures per DALI loop.
- 1% minimum dimming value.

DALI Dimming (DALI) - Wiring Detail



- A** - To fixture
- B** - Data +
- C** - Data -
- D** - Line
- E** - Neutral
- F** - Ground
- G** - Conduit (by others)
- H** - To next fixture
- I** - Power input or from previous fixture
- J** - Wire-nuts (by others)
- K** - Ground lug

Motion Detector Options

Programming

	MD10N Narrow Lens, 10% Dimming Level	MD30N Narrow Lens, 30% Dimming Level	MD50N Narrow Lens, 50% Dimming Level	MD50BN Narrow Lens, 50% Bi-Level Dimming Level ¹⁰	MD70BN Narrow Lens, 70% Bi-Level Dimming Level ¹¹	MDPN Narrow Lens, Programmable	How to Provide Code:					
	100% (10V)	10% (1V)	100% (10V)	30% (3V)	100% (10V)	50% (5V)	100% (10V)	50% (5V)	100% (10V)	70% (7V)		
High Mode ¹	10V		10V		10V		10V		10V			• 5V - 10V (Increment: 0.2V) 10V
Low Mode ²	1V		3V		5V		5V		7V			• OFF 2.6V
Time Delay ³	5 min		5 min		5 min		15 min		15 min			• 0V - 9.8V (Increment: 0.2V)
Cut Off ⁴	1 hr		1 hr		1 hr		DIS		DIS			• 1 min - 30min (Increment: 30 seconds) 10 min
Set Point ⁵	Dis		Dis		Dis		DIS		DIS			• Disable
Sensitivity ⁶	Max		Max		Max		Max		Max			• 1 min - 59min (Increment: 30 seconds) 3 h
Ramp up Time ⁷	3 sec		3 sec		3 sec		3 sec		3 sec			• 1h - 5h (Increment: 1 hour)
Fade Down Time ⁸	3 sec		3 sec		3 sec		3 sec		3 sec			• Disable
Photocell On/Off ⁹	Dis		Dis		Dis		30fc		30fc			• Auto Auto
												• 1fc - 250fc (Increment: 1fc)
												• On-Fix
												• Off-Fix
												• Low Med
												• Max
												• Disable 10 sec
												• 1sec - 60sec (Increment: 1 second)
												• Disable 10 sec
												• 1sec - 60sec (Increment: 1 second)
												• Disable Dis
												• 1fc - 250fc (Increment: 1fc)

¹ When the sensor detects motion, the dimming control output ramps up to the selected HIGH light level.

² After the sensor stops detecting motion and the time delay expires, the dimming control output fades down to the selected LOW light level.

³ The selected time period that must elapse after the last time the sensor detects motion for the electric lights to fade to LOW mode.

⁴ The time period that must elapse after the lights fade to LOW mode, and the sensor detects no motion for the electric lights to turn OFF.

⁵ When enabled, the selectable ambient light level threshold that will hold the electric lights off or at LOW level when the sensor detects motion.

⁶ The response of the PIR detector to motion within the sensor's coverage area.

⁷ Time period for light level to increase from LOW to HIGH.

⁸ Time period for light level to decrease from HIGH to LOW.

⁹ When enabled, the sensor will force the load OFF after the light level has exceeded the selected photocell setpoint PRIOR SAVE SEND for at least a minute. It will also force the load ON when the light level goes below the setpoint, even if no motion is detected.

¹⁰ Meets CNEB 2015 requirements.

¹¹ Meets ASHRAE 2016 requirements.

The motion detector programming can be modified on site. A remote is required, order separately. See Remote section in the specification sheet for details.

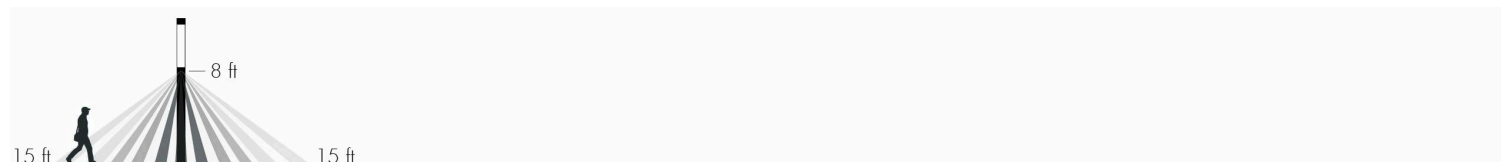
Dimming: When motion is detected within the sensor's coverage area, the sensor sends a signal to ramp the load up to the selectable High Mode level unless the ambient light level is higher than the selected setpoint. When no motion is detected for the duration of the time delay setting, the lights will go to the selectable Low Mode level based on the signal from the sensor. If desired, a cut off time delay will trigger to eventually turn the lights OFF.

Non dimming: When motion is detected within the sensor's coverage area, the sensor sends a signal to turn the load ON unless the ambient light level is higher than the selected setpoint. When no motion is detected for the duration of the time delay setting, the lights will go OFF based on the signal from the sensor.

Dusk to dawn control: When photocell on/off is enabled, and the ambient light falls below the photocell setpoint, the sensor ramps the load up to the selectable High Mode level. If no motion is detected for the duration of the time delay setting, the lights will go to the selectable Low Mode level. If the cut off time delay is disabled, the load will remain on, at High or Low level, based on motion detection, until the ambient light increases above the photocell setpoint.

Coverage Area

Narrow Lens (MD10N, MD30N, MD50N, MD70N and MDPN)*

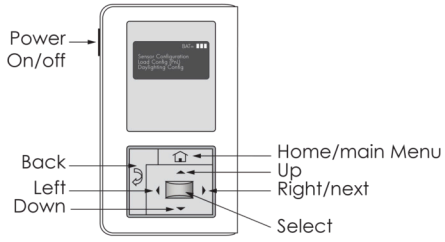


* Maximum 15 ft height, 30 ft diameter coverage area.

High temperatures at the covered area (above 88 °F - 91 °F) reduce the detection zone of the sensor. Consider adding more sensors if the ambient temperatures are expected to be high. Additionally, high floor level temperature may require larger movement for detection. Coverages shown in the diagrams are maximum, measured in linear feet. They represent coverage for walking motion, with no obstacles.

Remote (Order Separately)

MDRC001 - Remote to Program Motion Detector on Site



- Compatible with all motion detector options.

How to Order

Housing	Dimensions	Voltage	Total Height (Nominal)	Optical System	Head Height	Lens Finish	Output (Nominal Lumens)	Color and Color Temperature	Color Rendering									
ALTC Lumenalta Column	6 6 in	120 120 Volts	10FT 10 ft	IVO Invisio Soft Optic	H12 12 in (2 Stacks) ⁽⁴⁾	CL Clear Lens	RO Regular Output (500lm Asymmetric/1000lm Symmetric per Stack)	22K 2200K	CRI 70 CRI 70+ ⁽⁵⁾									
		208 208 Volts	11FT 11 ft							H18 18 in (3 Stacks) ⁽⁴⁾	HO High Output (750lm Asymmetric/1500lm Symmetric per Stack)	27K 2700K	CRI 80 CRI 80+					
		240 240 Volts	12FT 12 ft											VHO Very High Output (1000lm Asymmetric/2000 lm Symmetric per Stack)	30K 3000K	CRI 90 CRI 90+ ⁽⁶⁾		
		277 277 Volts	13FT 13 ft														35K 3500K	
		347 347 Volts ^{(1) (2)}	14FT 14 ft															40K 4000K
		480 480 Volts ^{(1) (2)} ⁽³⁾	15FT 15 ft															
			16FT 16 ft															
			17FT 17 ft															
			18FT 18 ft															
			19FT 19 ft															
			20FT 20 ft															

Notes:

- 1. Not available with LT control option.
- 2. Not available with PB Button Type Photocell option.
- 3. Not available when combined with H24 Head Height and VHO Lumen Output.
- 4. Available with RO Output only.
- 5. Not available with 22K and 27K color temperatures.
- 6. Not available with 22K color temperature.

How to Order

Distributions	Finish	Control	Option	Anchor Bolts Option	Base Cover Options
<p>SYM Symmetrical</p> <p>ASY Asymmetrical</p> <p>ASYS Asymmetrical Shielded</p>	<p>BK Black Sandtex®</p> <p>BRZ Bronze Sandtex®</p> <p>SI Silver Sandtex®</p> <p>BKTX Textured Black</p> <p>BRZTX Textured Bronze Non-Metallic</p> <p>GRATX Textured Medium Gray</p> <p>GRNTX Textured Green</p> <p>WHTX Textured White</p> <p>CC Custom Color & Finish ⁽⁷⁾ _{(8) (9)}</p>	<p>DIM 0-10V Dimming</p> <p>LT Lumentalk Enabled Dimming ^{(10) (11)}</p> <p>DALI DALI Dimming ⁽¹²⁾</p>	<p>VRN Normal Vibration Rating ⁽¹³⁾</p> <p>VRBO Vibration Rated for Bridge and Overpass ⁽¹³⁾</p> <p>CRC Corrosion-Resistant Coating ^{(14) (15)}</p> <p>SP Surge Protector</p> <p>PB Button Type Photocell ^{(11) (14) (17) (18)}</p> <p>DRG Ground Fault Duplex Receptacle ^{(1) (17) (19)}</p> <p>DRG IU Ground Fault Duplex Receptacle (While in Use) ^{(1) (17) (19)}</p> <p>USB Duplex Receptacle with USB A and USB C ^{(1) (17) (19)}</p> <p>USB IU Duplex Receptacle with USB A and USB C (While in Use) ^{(1) (17) (19)}</p> <p>SPR3 3-Pin Receptacle ^{(2) (18) (20) (21)}</p> <p>SPR3 SC 3-Pin Receptacle with Shorting Cap ^{(2) (18) (20) (21)}</p> <p>SPR5 5-Pin Receptacle ^{(2) (18) (20) (21)}</p> <p>SPR5 SC 5-Pin Receptacle with Shorting Cap ^{(2) (18) (20) (21)}</p> <p>MD10N Motion Detector 10% Factory-set Dimming Level (Narrow Lens) ^{(2) (14) (21) (22) (23) (24)}</p> <p>MD30N Motion Detector 30% Factory-set Dimming Level (Narrow Lens) ^{(2) (14) (21) (22) (23) (24)}</p> <p>MD50N Motion Detector 50% Factory-set Dimming Level (Narrow Lens) ^{(2) (14) (21) (22) (23) (24)}</p> <p>MD50BN Motion Detector 50% with Photocell Activated (Narrow Lens) ^{(2) (14) (21) (22) (23)}</p> <p>MD70BN Motion Detector 70% with Photocell Activated (Narrow Lens) ^{(2) (14) (21) (22) (23)}</p> <p>MDPN Motion Detector Programmable, Factory-set Dimming Level (Narrow Lens) ^{(2) (14) (21) (22) (23) (24)}</p> <p>IAP Internal Anchor Plate ^{(25) (26) (27)}</p> <p>EAP External Anchor Plate ⁽²⁷⁾</p> <p>DB Direct Burial ^{(25) (28)}</p>	<p>AB Anchor Bolts ⁽²⁷⁾</p>	<p>WL Round Base Cover WL for 6 in Pole</p> <p>WC Round Base Cover WC for 6 in Pole</p> <p>WO Round Base Cover WO for 6 in Pole</p> <p>WY Round Base Cover WY for 6 in Pole</p>

Notes:

- Not available with LT control option.
- Not available with PB Button Type Photocell option.
- Specify RAL number followed by "TX" for textured finish (ex: RAL9007TX) or STX for Sandtex finish (ex: RAL9007STX). Textured or Sandtex finishes are recommended for the durability of all products. If a finish is not specified with the RAL number (ex: RAL9007), a glossy finish will be provided. Please consult factory for other RAL textures and glosses, or to match alternate color charts. Final color matching results may vary.
- Setup charges apply for RAL colors. Consult factory for details.
- Longer lead times can be expected for custom RAL color finishes.
- A Lumentranslator 2 (LTL2) and LumenID (LID) must be specified for Lumentalk applications. Consult Lumentranslator 2 and Lumentalk pages and specification sheets for details.
- Not available for 347V and 480V voltage options.
- DALI 2 T6 controller required, provided by others.
- VRN or VRBO must be specified for all installations.
- Use only when exposed to salt spray. This option is not required for normal outdoor exposure.
- Setup charges apply. Consult factory for details.
- Not available with SPR3, SPR3 SC, SPR5 or SPR5 SC 3-Pin and 5-Pin receptacle options.
- Maximum operating temperature with is -31 °F.
- Not available with MD10N, MD30N, MD50N, MD50BN, MD70BN and MDPN motion detector options.
- Only one duplex receptacle can be specified per fixture.
- Not available for H24 Head Height.
- Not available with LT or DALI Control Options.
- Only one motion detector can be specified per fixture.
- The motion detector programming can be modified on site. A remote is required, order separately. See Remote section in the specification sheet for details.

- 24. MD10N, MD30N, MD50N, M50BN, MD70BN and MDPN are Wattstopper motion detectors.
- 25. Must be specified with VRN (Normal Vibration Rating).
- 26. Not available for Total Heights of 16 ft and above.

- 27. Not required for DB Direct Burial option.
- 28. Not available for Total Heights of 17 ft and above.