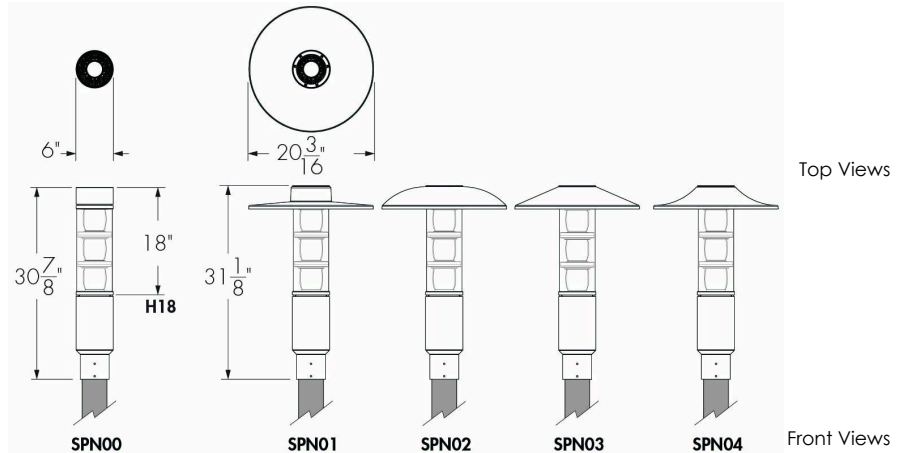
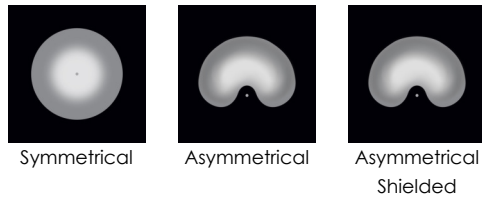


Project Name \_\_\_\_\_ Qty \_\_\_\_\_

Type \_\_\_\_\_ Catalog / Part Number \_\_\_\_\_



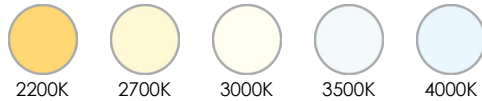
**Distributions**



**Description**

The Lumenalta Small Post-Top Invisio™ features a sleek, cylindrical form designed for pedestrian lighting. The groundbreaking Invisio optic delivers a new level of visual comfort, using a patented faceted light guide that hides the source and delivers exceptional uniformity. The new-to-market design features a matte black reflector that minimizes surface brightness with virtually no impact on distribution performance.

**Color and Color Temperature**



**Features**

**Decorative Top Options**

- SPN00:** No Decorative Top
- SPN01:** Flat
- SPN02:** Domed
- SPN03:** Conic
- SPN04:** Curved

**Color Rendering**

CRI 70+      CRI 80+      CRI 90+

**Optical System**

**IVO:** Invisio Soft Optic

**Lens Finish**

**CL:** Clear Lens

**Color and Color Temperature**

- 22K:** 2200K
- 27K:** 2700K
- 30K:** 3000K
- 35K:** 3500K
- 40K:** 4000K

**Control**

0-10V      lumen talk      DALI

**Distributions**

- SYM:** Symmetrical
- ASY:** Asymmetrical
- ASYS:** Asymmetrical Shielded

**Ingress Protection Rating**

IP66 (optical chamber)

**Options**

- Corrosion-Resistant Coating for Hostile Environments
- Surge Protector
- Button Type Photocell
- 3-Pin Receptacle With or Without Shorting Cap
- 5-Pin Receptacle With or Without Shorting Cap
- Vibration Rated for Bridge and Overpass
- Normal Vibration Rating

**Impact Resistance Rating**

IK06  
(PMMA Lens)

**Mounting Options**

**TN4:** 4 in O.D. Tenon Adapter

**Certifications**



<b>Warranty</b>	5-year limited warranty
-----------------	-------------------------

**Performance**

<b>Color Rendering</b>	<b>CRI 70:</b> CRI 70+ <b>CRI 80:</b> CRI 80+ <b>CRI 90:</b> CRI 90+
<b>Maximum Delivered Output</b>	5,481 lm (SYM Distribution, 4000K, CRI 70+, VHO Output) 2,668 lm (ASY Distribution, 4000K, CRI 70+, VHO Output)
<b>Color Consistency</b>	1 SDCM for CRI 70+, CRI 80+ and CRI 90+
<b>Lumen Maintenance</b>	TM-21 L70 > 102,000 hrs (reported, Ta 25 - 50 °C [77 - 122 °F])

**Physical**

<b>Head Height</b>	<b>H18:</b> 18 in (3 Stacks)
<b>Housing Material</b>	Cast aluminum, Extruded aluminum
<b>Lens Material</b>	Cast acrylic (PMMA)
<b>Hardware Material</b>	Stainless steel
<b>Weight</b>	19.6 lbs 13.2 lbs
<b>EPA</b>	<b>SPN00:</b> 1.31 ft² <b>SPN01 to SPN04:</b> 1.8 ft²

<b>Surface Finish</b>	Super durable resistant exterior polyester powder coating meets AAMA 2604-98 requirements (5-years Florida exposure). A corrosion resistant finish (CRC) pre-finish is available to meet ASTM B-117 & ASTM D-1654 (salt spray resistance) and ASTM D-2247 requirements (humidity resistance).
-----------------------	--------------------------------------------------------------------------------------------------------------------------------------------------------------------------------------------------------------------------------------------------------------------------------------------------

**Electrical and Control**

<b>Voltage</b>	<b>120:</b> 120 Volts, <b>208:</b> 208 Volts, <b>240:</b> 240 Volts, <b>277:</b> 277 Volts, <b>347:</b> 347 Volts, <b>480:</b> 480 Volts
<b>Control</b>	<b>DIM:</b> 0-10V Dimming <b>LT:</b> Lumentalk Enabled Dimming <b>DALI:</b> DALI Dimming

**Environmental**

<b>Storage Temperature</b>	-40°C to 50°C [-40°F to 122°F] (device must reach start-up temperature value before operating)
<b>Start-up Temperature</b>	-40°C to 50°C [-40°F to 122°F]
<b>Operating Temperature</b>	-40°C to 50°C [-40°F to 122°F]
<b>Ingress Protection Rating</b>	IP66 (optical chamber)
<b>Impact Resistance Rating</b>	IK06 (PMMA Lens)
<b>Environment</b>	Dry/damp/wet location

### Important

#### Virtual Patent Marking Notice

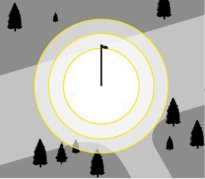
This website (<https://www.lmpg.com/patents-trademarks>) is provided to satisfy the virtual patent marking provisions of applicable jurisdictions. Some products listed may be covered by additional patents not referenced here.

#### Lumencycle™ Program

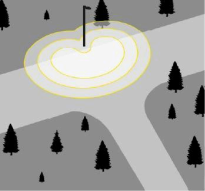
Lumencycle is a comprehensive program designed to maximize the life of Lumenpulse fixtures while preserving their performance, quality, and design intent. Built around three pillars—Repair, Restore, and Recycle—the program provides clear pathways to maintain existing installations, restore fixtures, and responsibly manage them at end of life. For full program details, visit <https://www.lumenpulse.com/lumencycle>.

### Photometric Information

#### SYM, 4000K, CRI 70+

	Nominal Output [lm]	Typical Delivered Output [lm]	Efficiency (lm/W)	BUG Rating			Typical Maximum Power 120/277V (W)
				B	U	G	
RO		3,222	85	2	3	2	38
HO		4,399	85	2	3	3	52
VHO		5,481	83	2	4	3	66

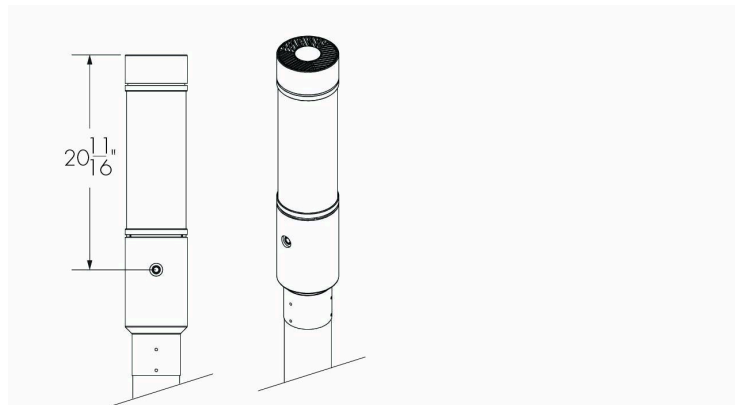
#### ASY, 4000K, CRI 70+

	Nominal Output [lm]	Typical Delivered Output [lm]	Efficiency (lm/W)	BUG Rating			Typical Maximum Power 120/277V (W)
				B	U	G	
RO		1,569	83	0	3	2	19
HO		2,141	82	1	3	2	26
VHO		2,668	79	1	3	3	34

Photometric performance is measured in compliance with IESNA LM-79-24. Due to rapid and continuous advance in LED technology, photometric information is subject to change without notice.

### Button Type Photoelectric Cell Installation Dimensions

#### PB - Button Type Photoelectric Cell

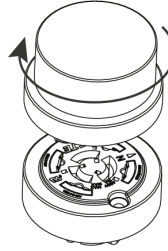


### 3-Pin and 5-Pin Receptacles Options

#### SPR3 and SPR5 - 3-Pin and 5-Pin Receptacles

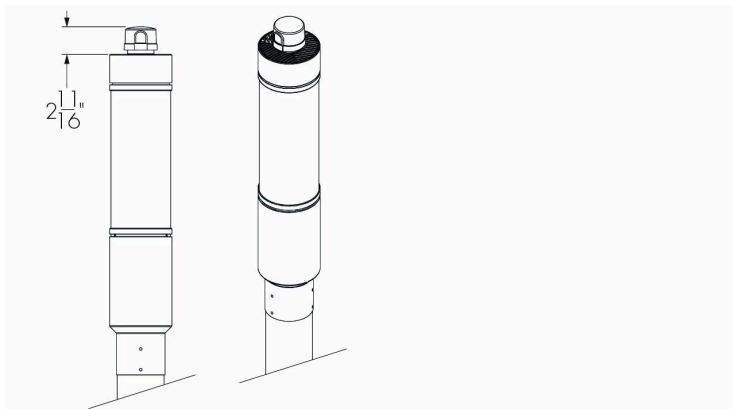


#### SPR3 SC and SPR5 SC - 3-Pin and 5-Pin Receptacles with Shorting Cap



- Dimming receptacle meets ANSI C136.41 Standard.

#### SPR3 SC and SPR5 SC - 3-Pin and 5-Pin Receptacles with Shorting Cap as Installed



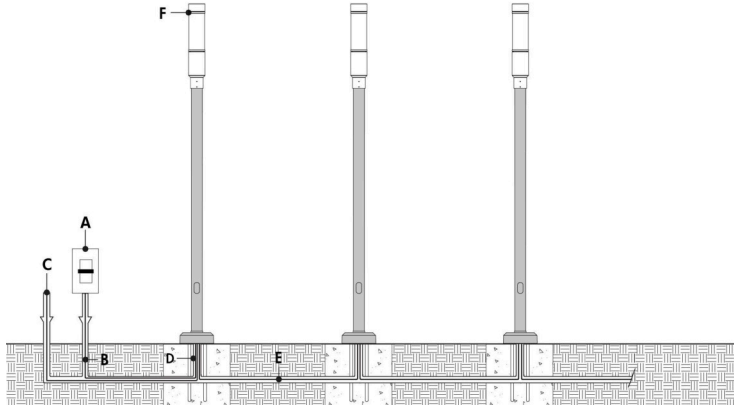
## Typical Wiring Diagrams

### Wiring Color Code

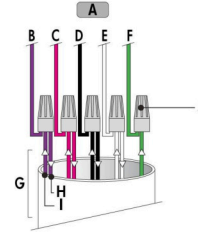
Color	Black	White	Green	Purple/Red	Gray/Orange
Use	Line	Line/Neutral	Ground	0-10V+ /Data +	0-10V- /Data -

### 0-10V Dimming (DIM)

### 0-10V Dimming (DIM) - Wiring Detail



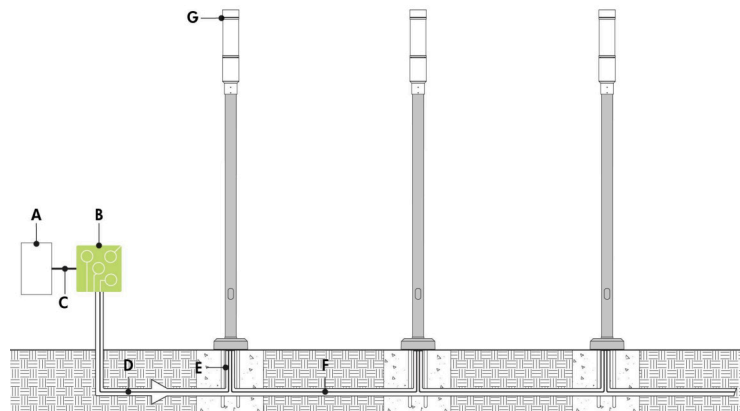
- A - Dimmer (by others)
- B - Data wiring (by others)
- C - Power input (120-480V, wiring by others)
- D - Conduit (by others)
- E - Power and data wiring (by others)
- F - Lumenalta Post-Top



- A - To fixture
- B - 0-10V +
- C - 0-10V -
- D - Line
- E - Neutral
- F - Ground
- G - Conduit (by others)
- H - To next fixture
- I - Power input or from previous fixture
- J - Wire-nuts (by others)

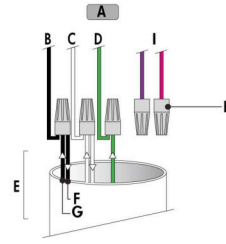
- Consult factory for specific applications and maximum fixture count/cable length recommendations.
- 0-10V mA ratings: passive dimmer (Current Sink): 3mA per fixture, active dimmer (Current Source): 0.5mA per fixture.
- 1% minimum dimming value.

**Lumentalk (LT)**



- A** - Dimmer/controller (order separately from Lumenpulse, or by others)
- B** - Lumentranslator (LTL-010, -DMX, -TRIAC, -DALI)
- C** - Data wiring (by others)
- D** - Power line (120-277V, wiring by others)
- E** - Conduit (by others)
- F** - Power wiring (by others)
- G** - Lumenalta Post-Top

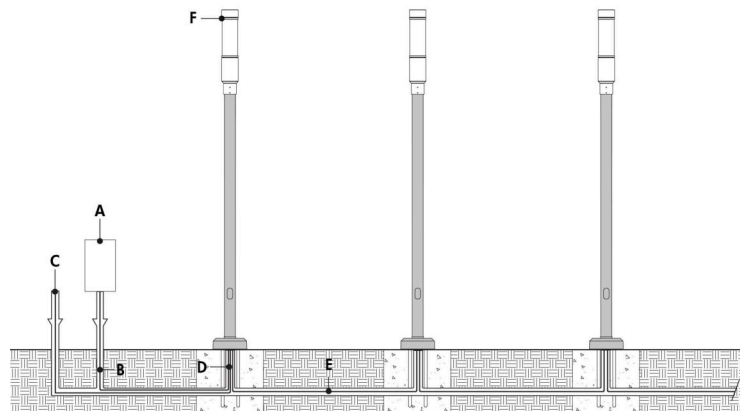
**Lumentalk (LT) - Wiring Detail**



- A** - To fixture
- B** - Line
- C** - Neutral
- D** - Ground
- E** - Conduit (by others)
- F** - To next fixture
- G** - Power input or from previous fixture
- H** - Wire-nuts (by others)
- I** - Not required

- Consult factory for specific applications and maximum fixture count/cable length recommendations.
- Lumentalk enabled fixtures must be commissioned using LumentalkID software and a LID-LT. Consult factory for details.
- Maximum of 1 transmitter (Lumentranslator or Lumenlink) per system.
- No third party fixtures allowed on the same circuit.
- For DMX applications: 1 DMX controller per Lumentalk network, maximum of 48 DMX channels per Lumentalk network (minimum step transition update rate is 1 second, minimum fade time between two colors is 1 minute). Consult factory for applications that require additional capabilities.
- Consult factory for DALI Lumentalk applications.
- 1% minimum dimming value.

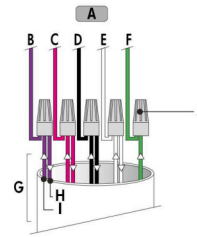
**DALI Dimming (DALI)**



- A** - DALI controller (by others)
- B** - Data wiring (by others)
- C** - Power input (120-480V, wiring by others)
- D** - Conduit (by others)
- E** - Power and data wiring (by others)
- F** - Luminalta Post-Top

- Consult factory for specific applications and maximum fixture count/cable length recommendations.
- Maximum of 64 DALI fixtures per DALI loop.
- 1% minimum dimming value.

**DALI Dimming (DALI) - Wiring Detail**



- A** - To fixture
- B** - Data +
- C** - Data -
- D** - Line
- E** - Neutral
- F** - Ground
- G** - Conduit (by others)
- H** - To next fixture
- I** - Power input or from previous fixture
- J** - Wire-nuts (by others)

**How to Order**

Housing	Mounting	Voltage	Decorative Top Options	Optical System	Head Height	Lens Finish	Output (Nominal Lumens)	Color and Color Temperature	Color Rendering
ALTS Lumenalta Small	TN Tenon Mount	<b>120</b> 120 Volts	<b>SPN00</b> No Decorative Top	IVO Invisio Soft Optic	<b>H18</b> 18 in (3 Stacks)	CL Clear Lens	<b>RO</b> Regular Output (500lm Asymmetric/1000lm Symmetric per Stack)	<b>22K</b> 2200K	<b>CRI 70</b> CRI 70+ <sup>(3)</sup>
		<b>208</b> 208 Volts	<b>SPN01</b> Flat					<b>27K</b> 2700K	
		<b>240</b> 240 Volts	<b>SPN02</b> Domed					<b>30K</b> 3000K	
		<b>277</b> 277 Volts	<b>SPN03</b> Conic					<b>35K</b> 3500K	
		<b>347</b> 347 Volts <sup>(1) (2)</sup>	<b>SPN04</b> Curved					<b>40K</b> 4000K	
<b>480</b> 480 Volts <sup>(1) (2)</sup>		<b>VHO</b> Very High Output (1000lm Asymmetric/2000lm Symmetric per Stack)							

**Notes:**

1. Not available with LT control option.
2. Not available with PB Button Type Photocell option.
3. Not available with 22K and 27K color temperatures.
4. Not available with 22K color temperature.

**How to Order**

Distributions	Finish	Control	Option	Mounting Options
<b>SYM</b> Symmetrical  <b>ASY</b> Asymmetrical  <b>ASYS</b> Asymmetrical Shielded	<b>BK</b> Black Sandtex®  <b>BRZ</b> Bronze Sandtex®  <b>SI</b> Silver Sandtex®  <b>BKTX</b> Textured Black  <b>BRZTX</b> Textured Bronze Non-Metallic  <b>GRATX</b> Textured Medium Gray  <b>GRNTX</b> Textured Green  <b>WHTX</b> Textured White  <b>CC</b> Custom Color & Finish <sup>(5) (6) (7)</sup>	<b>DIM</b> 0-10V Dimming  <b>LT</b> Lumentalk Enabled Dimming <sup>(8) (9)</sup>  <b>DALI</b> DALI Dimming <sup>(10)</sup>	<b>VRN</b> Normal Vibration Rating <sup>(11)</sup>  <b>VRBO</b> Vibration Rated for Bridge and Overpass <sup>(11)</sup>  <b>CRC</b> Corrosion-Resistant Coating <sup>(12) (13)</sup>  <b>SP</b> Surge Protector  <b>PB</b> Button Type Photocell <sup>(1) (14) (15)</sup>  <b>SPR3</b> 3-Pin Receptacle <sup>(2) (16)</sup>  <b>SPR3 SC</b> 3-Pin Receptacle with Shorting Cap <sup>(2) (16)</sup>  <b>SPR5</b> 5-Pin Receptacle <sup>(2) (16)</sup>  <b>SPR5 SC</b> 5-Pin Receptacle with Shorting Cap <sup>(2) (16)</sup>	<b>TN4</b> 4 in O.D. Tenon Adapter

**Notes:**

- 1. Not available with LT control option.
- 2. Not available with PB Button Type Photocell option.
- 5. Specify RAL number followed by "TX" for textured finish (ex: RAL9007TX) or STX for Sandtex finish (ex: RAL9007STX). Textured or Sandtex finishes are recommended for the durability of all products. If a finish is not specified with the RAL number (ex: RAL9007), a glossy finish will be provided. Please consult factory for other RAL textures and glosses, or to match alternate color charts. Final color matching results may vary.
- 6. Setup charges apply for RAL colors. Consult factory for details.
- 7. Longer lead times can be expected for custom RAL color finishes.
- 8. A Lumentranslator 2 (LT2) and LumenID (LID) must be specified for Lumentalk applications. Consult Lumentranslator 2 and Lumentalk pages and specification sheets for details.
- 9. Not available for 347V and 480V voltage options.
- 10. DALI 2 T6 controller required, provided by others.
- 11. VRN or VRBO must be specified for all installations.
- 12. Use only when exposed to salt spray. This option is not required for normal outdoor exposure.
- 13. Setup charges apply. Consult factory for details.
- 14. Not available with DALI control option.
- 15. Maximum operating temperature with is -31 °F.
- 16. Not available with LT or DALI Control Options.