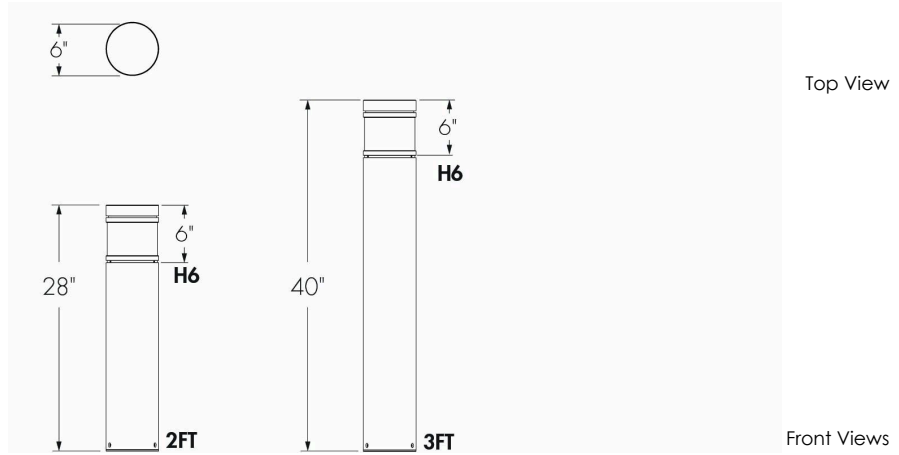
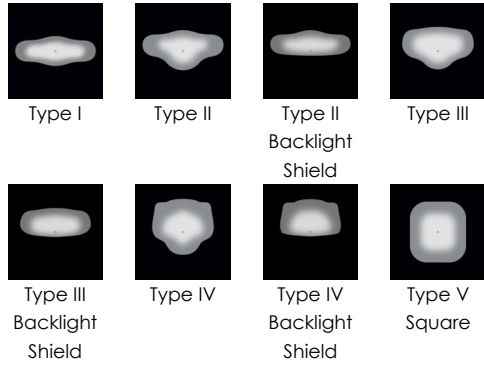


Project Name _____ Qty _____

Type _____ Catalog / Part Number _____



Distributions



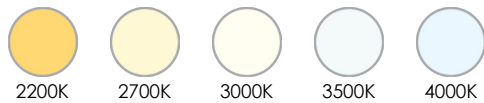
Description

The Lumenalta Bollard Directional features a sleek, cylindrical form designed for pedestrian areas. Its advanced optical system optimizes performance and reduces light spill, respecting the surrounding environment. Delivering up to 1,500 lumens, it offers precise Type I-V distributions to ensure optimal visibility and lighting control.

Features

Dimensions	6: 6 in
Optical System	FFD: Directional
Lens Finish	CL: Clear Lens
Total Height (Nominal)	2FT: 28 in, 3FT: 40 in
Color and Color Temperature	22K: 2200K 27K: 2700K 30K: 3000K 35K: 3500K 40K: 4000K

Color and Color Temperature



Distributions	1: Type I 2: Type II 2BLS: Type II Backlight Shield 3: Type III 3BLS: Type III Backlight Shield 4: Type IV 4BLS: Type IV Backlight Shield 5S: Type V Square
----------------------	--

Color Rendering

CRI 70+ CRI 80+ CRI 90+

Control

0-10V lumen talk DALI

Lumencycle™ Program



Options	Corrosion-Resistant Coating for Hostile Environments Surge Protector Button Type Photocell Ground Fault Duplex Receptacle Duplex Receptacle with USB A and USB C Vibration Rated for Bridge and Overpass Normal Vibration Rating
----------------	--

Impact Resistance Rating

IK07
(PMMA
Lens)

Ingress Protection Rating

IP66 (optical chamber)

Certifications

**Warranty** 5-year limited warranty

Performance

Color Rendering
CRI 70: CRI 70+
CRI 80: CRI 80+
CRI 90: CRI 90+**Maximum Delivered Output** 1,483 lm (Type VS Distribution, 4000K, CRI 70+, XS15 Output)**Efficacy** Up to 106.4 lm/W (Type VS Distribution, 4000K, CRI 70+, XS07 Output)**Color Consistency**
3 SDCM for CRI 70+
2 SDCM for CRI 80+ and CRI 90+ (with the exception of 2200K)**Lumen Maintenance** TM-21 L70 > 145,000 hrs (reported, Ta 25 - 50 °C [77 - 122 °F])**DarkSky** DarkSky Approved configurations available, refer to Dark Sky Approved Specification Sheet for details.

Physical

Head Height **H6:** 6 in**Housing Material** Cast aluminum, Extruded aluminum**Lens Material** Cast acrylic (PMMA)**Hardware Material** Stainless steel**Weight**
2 ft Bollard: 9.9 lbs
3 ft Bollard: 11.2 lbs**Surface Finish**
Super durable resistant exterior polyester powder coating meets AAMA 2604-98 requirements (5-years Florida exposure).
A corrosion resistant finish (CRC) pre-finish is available to meet ASTM B-117 & ASTM D-1654 (salt spray resistance) and ASTM D-2247 requirements (humidity resistance).

Electrical and Control

Voltage **120:** 120 Volts, **208:** 208 Volts, **240:** 240 Volts, **277:** 277 Volts, **347:** 347 Volts, **480:** 480 Volts**Control**
DIM: 0-10V Dimming
LT: Lumentalk Enabled Dimming
DALI: DALI Dimming

Environmental

Storage Temperature -40°C to 50°C [-40°F to 122°F] (device must reach start-up temperature value before operating)**Start-up Temperature** -40°C to 50°C [-40°F to 122°F]**Operating Temperature** -40°C to 50°C [-40°F to 122°F]**Ingress Protection Rating** IP66 (optical chamber)**Impact Resistance Rating** IK07 (PMMA Lens)**Environment** Dry/damp/wet location

Important

Virtual Patent Marking Notice

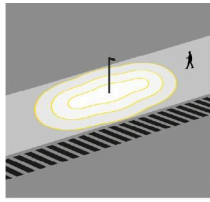
This website (<https://www.lmpg.com/patents-trademarks>) is provided to satisfy the virtual patent marking provisions of applicable jurisdictions. Some products listed may be covered by additional patents not referenced here.

Lumencycle™ Program

Lumencycle is a comprehensive program designed to maximize the life of Lumenpulse fixtures while preserving their performance, quality, and design intent. Built around three pillars—Repair, Restore, and Recycle—the program provides clear pathways to maintain existing installations, restore fixtures, and responsibly manage them at end of life. For full program details, visit <https://www.lumenpulse.com/lumencycle>.

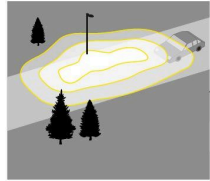
Photometric Information

Type I, 4000K, CRI 70+



Nominal Output [lm]	Typical Delivered Output [lm]	Efficiency (lm/W)	BUG Rating			Typical Maximum Power 120/277V (W)
			B	U	G	
N05	403	78	0	1	0	5
XS07	646	87	1	1	1	7
XS10	849	86	1	1	1	10
XS15	1,217	81	1	1	1	15

Type II, 4000K, CRI 70+



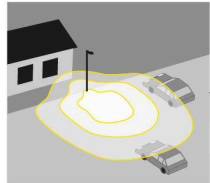
Nominal Output [lm]	Typical Delivered Output [lm]	Efficiency (lm/W)	BUG Rating			Typical Maximum Power 120/277V (W)
			B	U	G	
N05	416	80	0	1	0	5
XS07	667	90	0	1	1	7
XS10	876	89	0	1	1	10
XS15	1,256	84	1	1	1	15

Type III, 4000K, CRI 70+



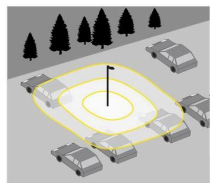
Nominal Output [lm]	Typical Delivered Output [lm]	Efficiency (lm/W)	BUG Rating			Typical Maximum Power 120/277V (W)
			B	U	G	
N05	461	89	0	1	0	5
XS07	739	100	0	1	0	7
XS10	971	98	1	1	1	10
XS15	1,392	93	1	2	1	15

Type IV, 4000K, CRI 70+



Nominal Output [lm]	Typical Delivered Output [lm]	Efficiency (lm/W)	BUG Rating			Typical Maximum Power 120/277V (W)
			B	U	G	
N05	410	79	0	1	1	5
XS07	658	89	0	1	1	7
XS10	864	87	1	1	1	10
XS15	1,239	83	1	1	1	15

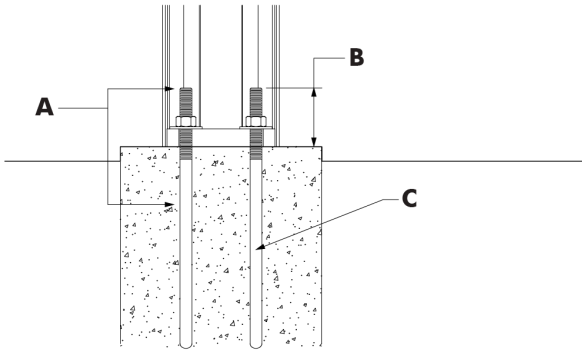
Type V Square, 4000K, CRI 70+



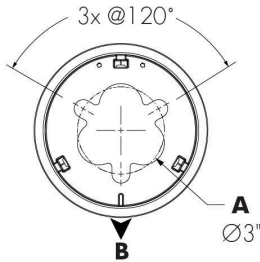
Nominal Output [lm]	Typical Delivered Output [lm]	Efficiency (lm/W)	BUG Rating			Typical Maximum Power 120/277V (W)
			B	U	G	
N05	491	94	1	1	0	5
XS07	787	106	1	1	1	7
XS10	1,033	104	1	1	1	10
XS15	1,483	99	1	1	1	15

Photometric performance is measured in compliance with IESNA LM-79-24. Due to rapid and continuous advance in LED technology, photometric information is subject to change without notice.

Anchoring Details



- A** - Galvanized steel portion
- B** - The threads of anchors must protrude between 2 in and 2.5 in from concrete base.
- C** - (3X) Ø 1/2" by 12 in anchors, supplied with two nuts and flat washers for each.

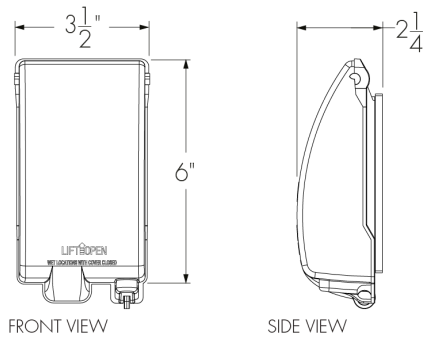
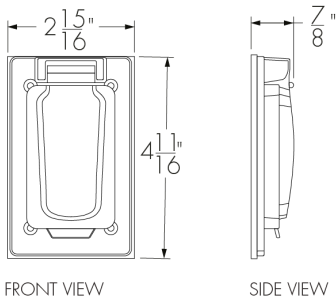


- A** - Bolt circle
- B** - Street side

Duplex Receptacle Details

DRG - Ground Fault Duplex Receptacle
USB - Duplex Receptacle with USB A and USB C

DRG IU - Ground Fault Duplex Receptacle (While in Use)
USB IU - Duplex Receptacle with USB A and USB C (While in Use)



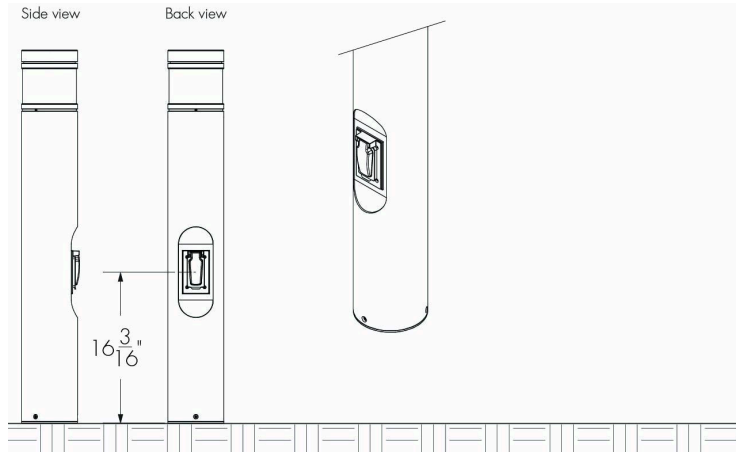
DRG and USB options are not suitable under the Canadian Electrical Code (CEC) for product installations in Canada. Only the DRG IU or USB IU are suitable for products installed in Canada.

* Weather-resistant and lockable cover (padlock by others)

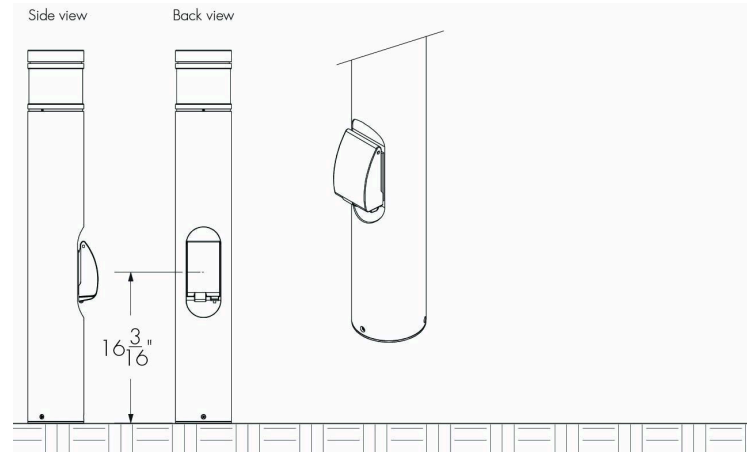
The duplex receptacle must be installed in accordance with applicable national and local electrical and construction codes by a person familiar with the construction and operation of the product and the hazards involved. Refer to national and local electrical codes before selecting a duplex receptacle to ensure all requirements are met.

Duplex Receptacle Installation Dimensions

DRG - Ground Fault Duplex Receptacle
USB - Duplex Receptacle with USB A and USB C
as Installed



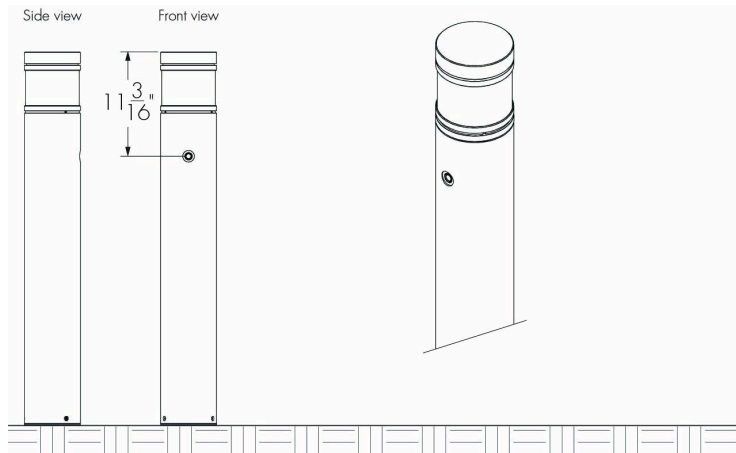
DRG IU - Ground Fault Duplex Receptacle (While in Use)
USB IU - Duplex Receptacle with USB A and USB C (While In Use)
as Installed



Duplex receptacle (DRG, USB, DRG IU and USB IU) is installed on the side opposite to street side. (consult factory for others configurations).

Button Type Photoelectric Cell Installation Dimensions

PB - Button Type Photoelectric Cell



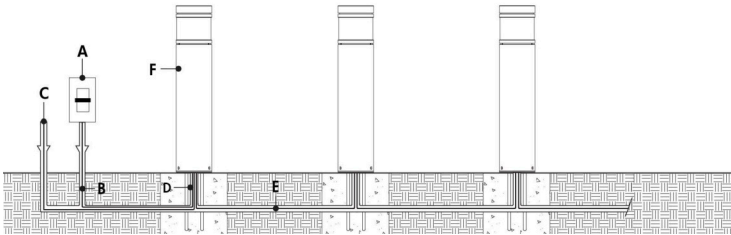
Button Type Photoelectric Cell (PB) is installed on the street side.

Typical Wiring Diagrams

Wiring Color Code

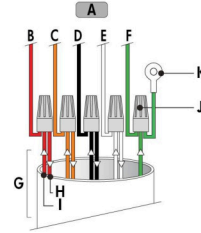
Color	Black	White	Green	Purple/Red	Gray/Orange
Use	Line	Line/Neutral	Ground	0-10V+ /Data +	0-10V- /Data -

0-10V Dimming (DIM)



- A** - Dimmer (by others)
- B** - Data wiring (by others)
- C** - Power input (120-480V, wiring by others)
- D** - Conduit (by others)
- E** - Power and data wiring (by others)
- F** - Lumenalta Bollard

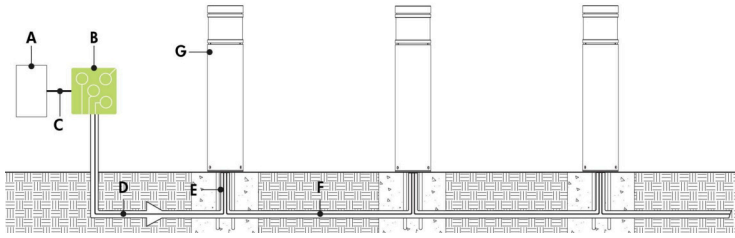
0-10V Dimming (DIM) - Wiring Detail



- A** - To fixture
- B** - 0-10V +
- C** - 0-10V -
- D** - Line
- E** - Neutral
- F** - Ground
- G** - Conduit (by others)
- H** - To next fixture
- I** - Power input or from previous fixture
- J** - Wire-nuts (by others)
- K** - Ground lug

- Consult factory for specific applications and maximum fixture count/cable length recommendations.
- 0-10V mA ratings: passive dimmer (Current Sink): 3mA per fixture, active dimmer (Current Source): 0.5mA per fixture.
- 1% minimum dimming value.

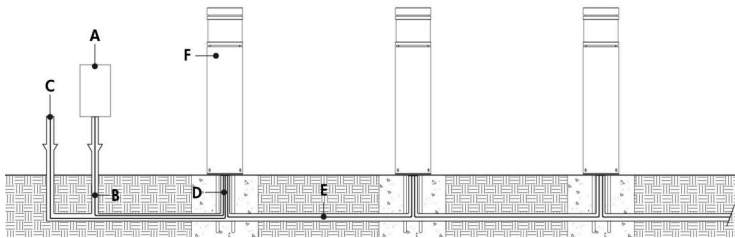
Lumentalk (LT)



- A** - Dimmer/controller (order separately from Lumenpulse, or by others)
- B** - Lumentranslator (LTL-010, -DMX, -TRIAC, -DALI)
- C** - Data wiring (by others)
- D** - Power line (120-277V, wiring by others)
- E** - Conduit (by others)
- F** - Power wiring (by others)
- G** - Lumenalta Bollard

- Consult factory for specific applications and maximum fixture count/cable length recommendations.
- Lumentalk enabled fixtures must be commissioned using LumentalkID software and a LID-LT. Consult factory for details.
- Maximum of 1 transmitter (Lumentranslator or Lumenlink) per system.
- No third party fixtures allowed on the same circuit.
- For DMX applications: 1 DMX controller per Lumentalk network, maximum of 48 DMX channels per Lumentalk network (minimum step transition update rate is 1 second, minimum fade time between two colors is 1 minute). Consult factory for applications that require additional capabilities.
- Consult factory for DALI Lumentalk applications.
- 1% minimum dimming value.

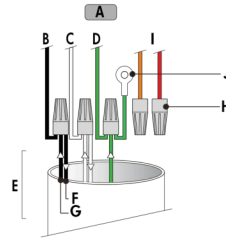
DALI Dimming (DALI)



- A** - DALI controller (by others)
- B** - Data wiring (by others)
- C** - Power input (120-480V, wiring by others)
- D** - Conduit (by others)
- E** - Power and data wiring (by others)
- F** - Lumenalta Bollard

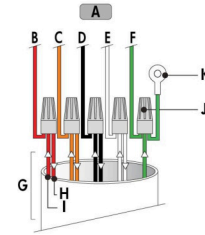
- Consult factory for specific applications and maximum fixture count/cable length recommendations.
- Maximum of 64 DALI fixtures per DALI loop.
- 1% minimum dimming value.

Lumentalk (LT) - Wiring Detail



- A** - To fixture
- B** - Line
- C** - Neutral
- D** - Ground
- E** - Conduit (by others)
- F** - To next fixture
- G** - Power input or from previous fixture
- H** - Wire-nuts (by others)
- I** - Not required
- J** - Ground lug

DALI Dimming (DALI) - Wiring Detail



- A** - To fixture
- B** - Data +
- C** - Data -
- D** - Line
- E** - Neutral
- F** - Ground
- G** - Conduit (by others)
- H** - To next fixture
- I** - Power input or from previous fixture
- J** - Wire-nuts (by others)
- K** - Ground lug

How to Order

Housing	Dimensions	Voltage	Total Height (Nominal)	Optical System	Head Height	Lens Finish	Output (Nominal Lumens)	Color and Color Temperature	Color Rendering	Distributions
ALTB Lumenalta Bollard	6 6 in	120 120 Volts	2FT 28 in	FFD Directional	H6 6 in	CL Clear Lens	N05 500 lm ⁽³⁾	22K 2200K	CRI 70 CRI 70+ ⁽⁴⁾	1 Type I
		208 208 Volts	3FT 40 in				XS07 750lm ⁽³⁾	27K 2700K	CRI 80 CRI 80+	2 Type II
		240 240 Volts					XS10 1000lm ⁽³⁾	30K 3000K	CRI 90 CRI 90+ ⁽⁵⁾	2BLS Type II Backlight Shield
		277 277 Volts					XS15 1500lm	35K 3500K	3 Type III	
		347 347 Volts ^{(1) (2)}						40K 4000K	3BLS Type III Backlight Shield	
		480 480 Volts ^{(1) (2)}							4 Type IV 4BLS Type IV Backlight Shield	
									5S Type V Square	

Notes:

- 1. Not available with LT control option.
- 2. Not available with PB Button Type Photocell option.
- 3. The 0-10V control signal from the dimmer must be lower than 0.5V (+/- 150mV) to achieve Dim-to-Off.
- 4. Not available with 22K and 27K color temperatures.
- 5. Not available with 22K color temperature.

How to Order

Finish	Control	Option	Anchor Bolts Option
BK Black Sandtex® BRZ Bronze Sandtex® SI Silver Sandtex® BKTX Textured Black BRZTX Textured Bronze Non-Metallic GRATX Textured Medium Gray GRNTX Textured Green WHTX Textured White CC Custom Color & Finish ⁽⁶⁾ ⁽⁷⁾ ⁽⁸⁾	DIM 0-10V Dimming LT Lumentalk Enabled Dimming ⁽⁹⁾ ⁽¹⁰⁾ DALI DALI Dimming ⁽¹¹⁾	VRN Normal Vibration Rating ⁽¹²⁾ VRBO Vibration Rated for Bridge and Overpass ⁽¹²⁾ CRC Corrosion-Resistant Coating ⁽¹³⁾ ⁽¹⁴⁾ SP Surge Protector PB Button Type Photocell ⁽¹⁾ ⁽¹⁵⁾ DRG Ground Fault Duplex Receptacle ⁽¹⁾ ⁽¹⁵⁾ ⁽¹⁶⁾ ⁽¹⁷⁾ DRG IU Ground Fault Duplex Receptacle (While in Use) ⁽¹⁾ ⁽¹⁵⁾ ⁽¹⁶⁾ ⁽¹⁷⁾ USB Duplex Receptacle with USB A and USB C ⁽¹⁾ ⁽¹⁵⁾ ⁽¹⁶⁾ ⁽¹⁷⁾ USB IU Duplex Receptacle with USB A and USB C (While in Use) ⁽¹⁾ ⁽¹⁵⁾ ⁽¹⁶⁾ ⁽¹⁷⁾	AB Anchor Bolts

Notes:

- 1. Not available with LT control option.
- 6. Specify RAL number followed by "TX" for textured finish (ex: RAL9007TX) or STX for Sandtex finish (ex: RAL9007STX). Textured or Sandtex finishes are recommended for the durability of all products. If a finish is not specified with the RAL number (ex: RAL9007), a glossy finish will be provided. Please consult factory for other RAL textures and glosses, or to match alternate color charts. Final color matching results may vary.
- 7. Setup charges apply for RAL colors. Consult factory for details.
- 8. Longer lead times can be expected for custom RAL color finishes.
- 9. A Lumentranslator 2 (LT2) and LumenID (LID) must be specified for Lumentalk applications. Consult Lumentranslator 2 and Lumentalk pages and specification sheets for details.
- 10. Not available for 347V and 480V voltage options.
- 11. DALI 2 T6 controller required, provided by others.
- 12. VRN or VRBO must be specified for all installations.
- 13. Use only when exposed to salt spray. This option is not required for normal outdoor exposure.
- 14. Setup charges apply. Consult factory for details.
- 15. Maximum operating temperature with is -31 °F.
- 16. Not available for 2 ft Total Height.
- 17. Only one duplex receptacle can be specified per fixture.