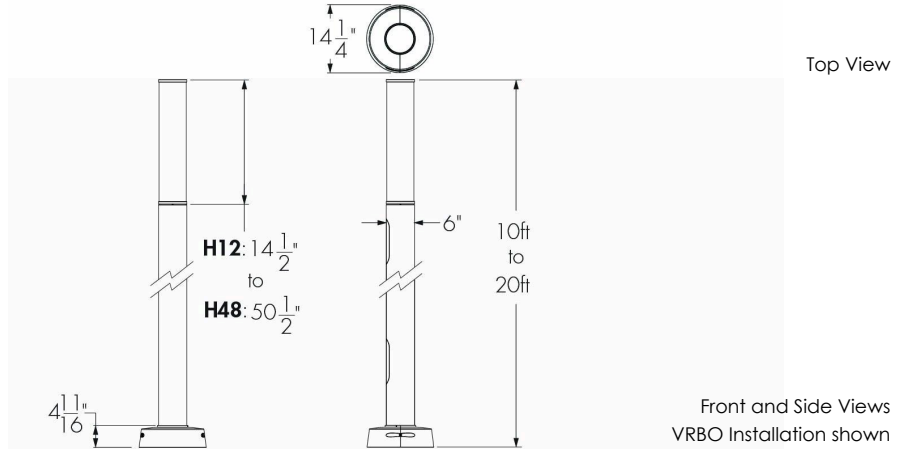
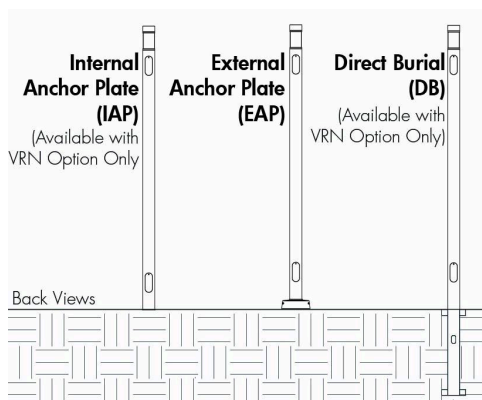


Project Name \_\_\_\_\_ Qty \_\_\_\_\_

Type \_\_\_\_\_ Catalog / Part Number \_\_\_\_\_



**Configurations**



**Description**

The Lumenalta Column Direct View features a sleek, cylindrical form designed for metropolitan wayfinding and artistic applications. Using Lumenpulse's Opticolor+® technology, color-changing, tunable white, and dim-to-warm capabilities are blended into a single, versatile luminaire. Offering flawless uniformity and saturation across its 1 ft to 4 ft lens, its dual-lens design evenly diffuses light for a clean, continuous viewing surface.

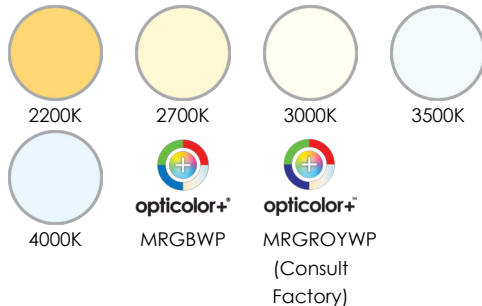
**Features**

<b>Dimensions</b>	<b>6:</b> 6 in
<b>Optical System</b>	<b>DVO:</b> Direct View Optic
<b>Lens Finish</b>	<b>O:</b> Opal Lens
<b>Total Height (Nominal)</b>	<b>10FT:</b> 10 ft, <b>11FT:</b> 11 ft, <b>12FT:</b> 12 ft, <b>13FT:</b> 13 ft, <b>14FT:</b> 14 ft, <b>15FT:</b> 15 ft, <b>16FT:</b> 16 ft, <b>17FT:</b> 17 ft, <b>18FT:</b> 18 ft, <b>19FT:</b> 19 ft, <b>20FT:</b> 20 ft
<b>Color and Color Temperature</b>	<p><b>22K:</b> 2200K</p> <p><b>27K:</b> 2700K</p> <p><b>30K:</b> 3000K</p> <p><b>35K:</b> 3500K</p> <p><b>40K:</b> 4000K</p> <p><b>MRGBWP:</b> Opticolor+® Mix-at-Source Red, Green, Blue Plus White Settable Range 24K to 65K</p> <p><b>MRGROYWP:</b> Opticolor+® Mix-at-Source Red, Green, Royal Blue Plus White Settable Range 24K to 65K</p>

**Distributions**



**Color and Color Temperature**



**Distributions**    **5:** Type V

**Color Rendering**

CRI  
90+

**Control**

0-10V    DMX/RDM    DALI    

**Lumencycle™ Program**



**Ingress Protection Rating**

IP66 (optical chamber)

**Impact Resistance Rating**

IK06  
(PMMA  
Lens)

**Certifications**



**Options**

Corrosion-Resistant Coating for Hostile Environments  
Surge Protector  
Ground Fault Duplex Receptacle  
Duplex Receptacle with USB A and USB C  
Normal Vibration Rating  
Internal Anchor Plate  
External Anchor Plate  
Direct Burial

**Base Cover Options**

**WL:** Round Base Cover WL for 6 in Pole  
**WC:** Round Base Cover WC for 6 in Pole  
**WO:** Round Base Cover WO for 6 in Pole  
**WY:** Round Base Cover WY for 6 in Pole

**Warranty**

5-year limited warranty

**Performance**

**Color Rendering**

**CRI 90:** CRI 90+ (White Light Only)

**Maximum Delivered Output**

8,042lm (4000K, CRI 90+, H48 Head Height)  
4,142 lm (MRGBWP Optidrive™ Enabled, H48 Head Height)

**Efficacy**

Up to 102.7 lm/W (4000K, CRI 90+, H48 Head Height)

**Color Consistency**

1 SDCM for CRI 90+ (White Light Only)

**Lumen Maintenance**

White: L70 > 90,000 hrs Ta 25°C [77°F] (TM-21 reported)  
L70 > 100,000 hrs Ta 25°C [77°F] (projected)\*  
Color: L70 > 60,000 hrs Ta 25°C [77°F] (TM-21 reported)  
L70 > 76,400 hrs Ta 25°C [77°F] (projected)\*  
\*Estimated based on in-situ case temperature and LM-80 report

**Physical**

**Head Height**

**H12:** 14 1/2 in, **H24:** 26 1/2 in, **H36:** 38 1/2 in, **H48:** 50 1/2 in

**Housing Material**

Cast aluminum, Extruded aluminum

**Lens Material**

Cast acrylic (PMMA)

**Hardware Material**

Stainless steel

**Weight**

48.7 lbs to 83.7 lbs  
Weight varies according to Total Height and Head Height selection; see Product Weight Table for details

**Surface Finish**

Super durable resistant exterior polyester powder coating meets AAMA 2604-98 requirements (5-years Florida exposure).  
A corrosion resistant finish (CRC) pre-finish is available to meet ASTM B-117 & ASTM D-1654 (salt spray resistance) and ASTM D-2247 requirements (humidity resistance).

**Electrical and Control**

**Voltage**

**120:** 120 Volts, **208:** 208 Volts, **240:** 240 Volts, **277:** 277 Volts

**Control**

**DIM:** 0-10V Dimming  
**LT:** Lumentalk Enabled Dimming  
**DMX/RDM:** DMX/RDM Enabled Dimming  
**DALI:** DALI Dimming

### Environmental

<b>Storage Temperature</b>	-40°C to 50°C [-40°F to 122°F] (device must reach start-up temperature value before operating)
<b>Start-up Temperature</b>	-40°C to 50°C [-40°F to 122°F]
<b>Operating Temperature</b>	-40°C to 50°C [-40°F to 122°F]
<b>Ingress Protection Rating</b>	IP66 (optical chamber)
<b>Impact Resistance Rating</b>	IK06 (PMMA Lens)
<b>Environment</b>	Dry/damp/wet location

### Important

#### Virtual Patent Marking Notice

This website (<https://www.lmpg.com/patents-trademarks>) is provided to satisfy the virtual patent marking provisions of applicable jurisdictions. Some products listed may be covered by additional patents not referenced here.

#### Lumencycle™ Program

Lumencycle is a comprehensive program designed to maximize the life of Lumenpulse fixtures while preserving their performance, quality, and design intent. Built around three pillars—Repair, Restore, and Recycle—the program provides clear pathways to maintain existing installations, restore fixtures, and responsibly manage them at end of life. For full program details, visit <https://www.lumenpulse.com/lumencycle>.

### Wind Speed and Pressure Tables

#### AASHTO Standard Specification

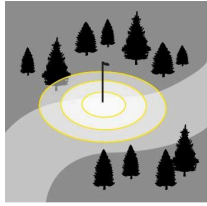
Total Height	Maximum Wind Speed (Mph)		
	EAP	IAP	DB
10	180	120	180
11	180	120	180
12	180	120	180
13	180	110	180
14	180	90	180
15	180	90	180
16	180	N/A	180
17	180	N/A	N/A
18	180	N/A	N/A
19	180	N/A	N/A
20	180	N/A	N/A

#### CSA Standard Specification

Total Height	Maximum Wind Pressure (Pa)		
	EAP	IAP	DB
10	800	800	800
11	800	800	800
12	800	500	800
13	800	400	800
14	800	400	800
15	800	300	800
16	800	N/A	800
17	800	N/A	N/A
18	800	N/A	N/A
19	800	N/A	N/A
20	800	N/A	N/A

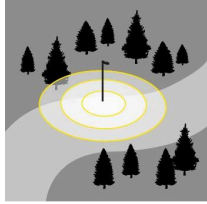
**Photometric Information**

4000K, CRI 90+



Head Height	Typical Delivered Output [lm]	Efficiency (lm/W)	BUG Rating			Typical Maximum Power 120/277V (W)
			B	U	G	
<b>H12</b>	1,844	92	1	4	2	20
<b>H24</b>	3,839	98	1	5	2	39
<b>H36</b>	6,053	103	2	5	3	59
<b>H48</b>	8,042	103	2	5	3	78

MRGBWP Optidrive™ Enabled



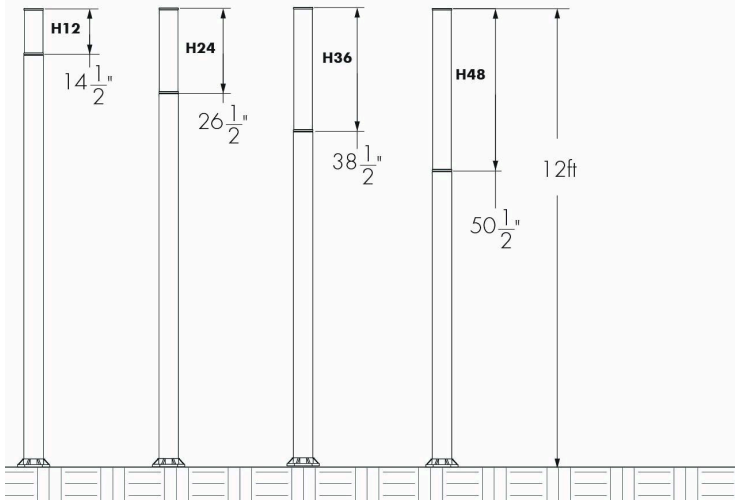
Head Height	Typical Delivered Output [lm]	Efficiency (lm/W)	BUG Rating			Typical Maximum Power 120/277V (W)
			B	U	G	
<b>H12</b>	950	45	0	3	1	21
<b>H24</b>	1,977	48	1	4	2	42
<b>H36</b>	3,117	50	1	5	2	63
<b>H48</b>	4,142	50	1	5	3	83

Photometric performance is measured in compliance with IESNA LM-79-24. Due to rapid and continuous advance in LED technology, photometric information is subject to change without notice.

**Fixture Weight Table**

	<b>H12</b>	<b>H24</b>	<b>H36</b>	<b>H48</b>
<b>10FT</b>	48.7 lbs.	47.1 lbs.	N/A	N/A
<b>11FT</b>	52.6 lbs.	54.0 lbs.	49.5 lbs.	N/A
<b>12FT</b>	56.5 lbs.	55.0 lbs.	53.5 lbs.	51.9lbs.
<b>13FT</b>	60.5 lbs.	59.0 lbs.	57.4 lbs.	55.9 lbs.
<b>14FT</b>	64.5 lbs.	62.9 lbs.	61.4 lbs.	59.8 lbs.
<b>15FT</b>	68.4 lbs.	66.9 lbs.	65.3 lbs.	63.8 lbs.
<b>16FT</b>	72.4 lbs.	70.8 lbs.	69.3 lbs.	67.8 lbs.
<b>17FT</b>	76.3 lbs.	74.8 lbs.	73.3 lbs.	71.7 lbs.
<b>18FT</b>	80.3 lbs.	78.8 lbs.	77.2 lbs.	75.7 lbs.
<b>19FT</b>	84.3 lbs.	82.7 lbs.	81.2 lbs.	79.6 lbs.
<b>20FT</b>	88.9 lbs.	86.7 lbs.	85.1 lbs.	83.7 lbs.

**Luminaire Dimensions**



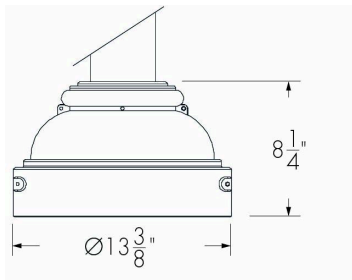
Front views, Column with 12 ft total height shown.

H36 head height not available for 10 ft Column.

H48 head height not available for 10 ft or 11 ft Column.

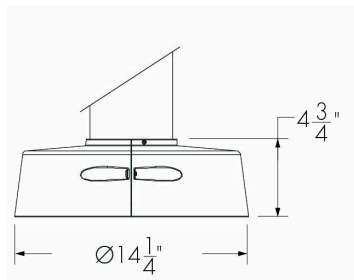
**Base Cover Options Dimensions**

**WC - Round Base Cover WC For 6 in Column**



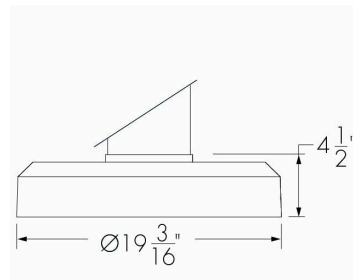
Side view

**WL - Round Base Cover WL For 6 in Column**



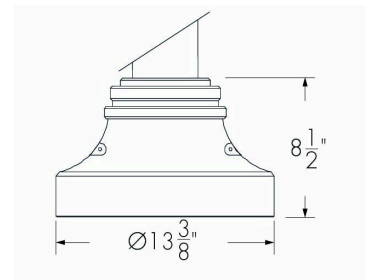
Side view

**WO - Round Base Cover WO For 6 in Column**



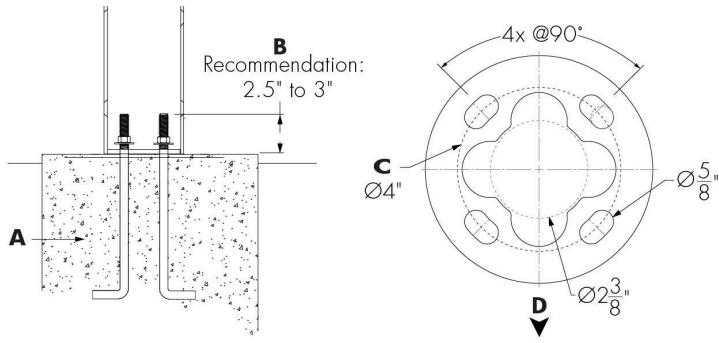
Side view

**WY - Round Base Cover WY For 6 in Column**



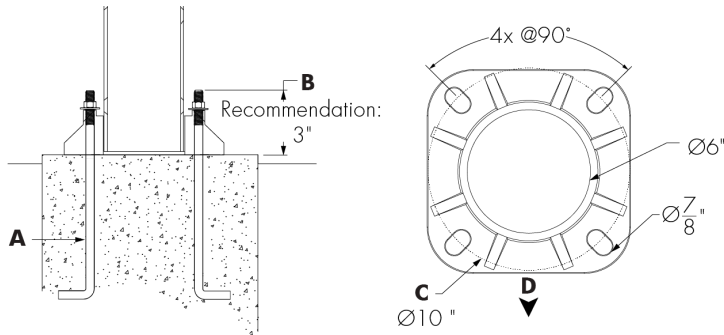
Side view

**Internal Anchor Plate Installation Assembly Details and Dimensions (Available with VRN Option Only)**



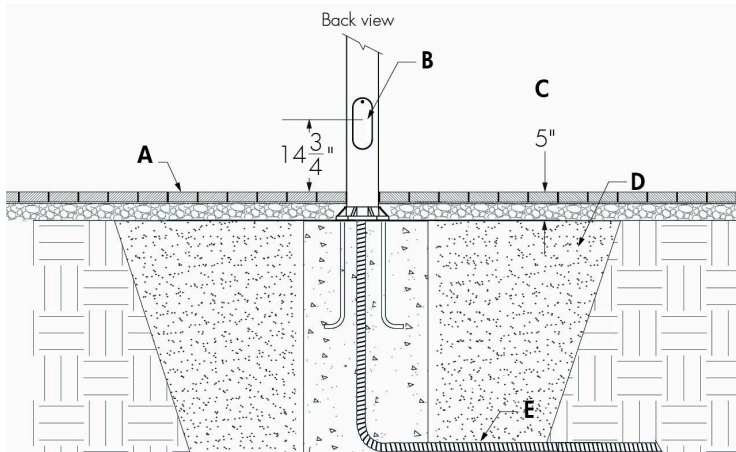
- A - (4x) Ø1/2-13 in by 12 in long anchor bolts with flat washers and nuts for each.
- B - 2.5 in to 3 in recommended to allow for assembly of nuts, washers and plate.
- C - Bolt circle
- D - Street Side. Access Door at 180 degrees from Street Side.

**External Anchor Plate Installation Assembly Details and Dimensions**



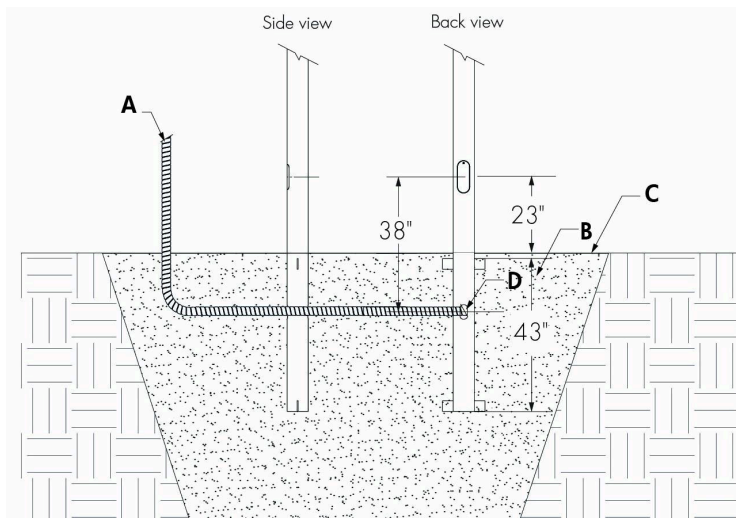
- A - (4x) Ø3/4 in by 26 in long anchor bolts with flat washers and nuts for each.
- B - 3 in recommended to allow for assembly of nuts, washers and plate.
- C - Bolt circle
- D - Street Side. Access Door at 180 degrees from Street Side.

**Semi-Buried Installation Assembly Details and Dimensions**



- A - Finished grade
- B - Access door
- C - Buried section, at least 4 in
- D - Filling
- E - Conduit and drainage (by others)

**Direct Burial Installation Assembly Details and Dimensions (Available with VRN Option Only)**

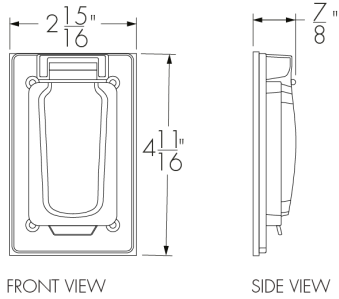


- A - Conduit (by others)
- B - Filling
- C - Finished grade
- D - Opening for conduit and proper drainage

**Duplex Receptacle Details**

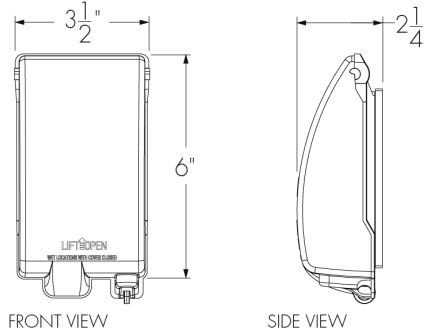
**DRG - Ground Fault Duplex Receptacle**

**USB - Duplex Receptacle with USB A and USB C**



**DRG IU - Ground Fault Duplex Receptacle (While in Use)**

**USB IU - Duplex Receptacle with USB A and USB C (While In Use)**

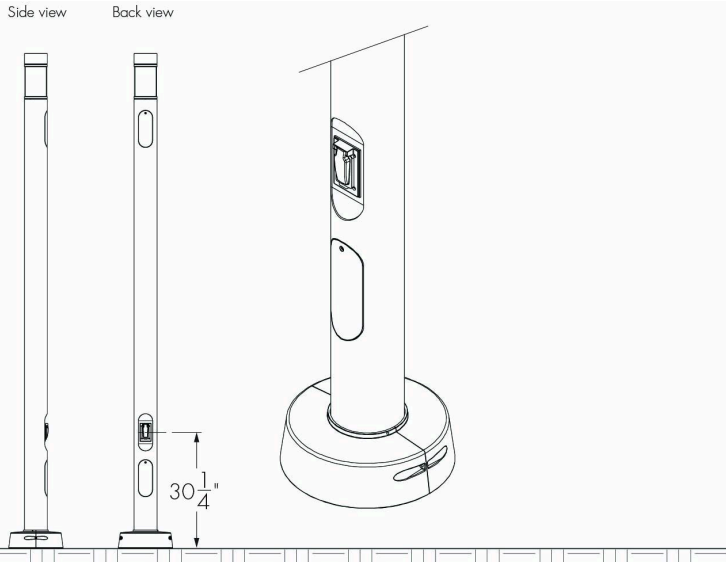


DRG and USB options are not suitable under the Canadian Electrical Code (CEC) for product installations in Canada. Only the DRG IU or USB IU are suitable for products installed in Canada.

\* Weather-resistant and lockable cover (padlock by others)

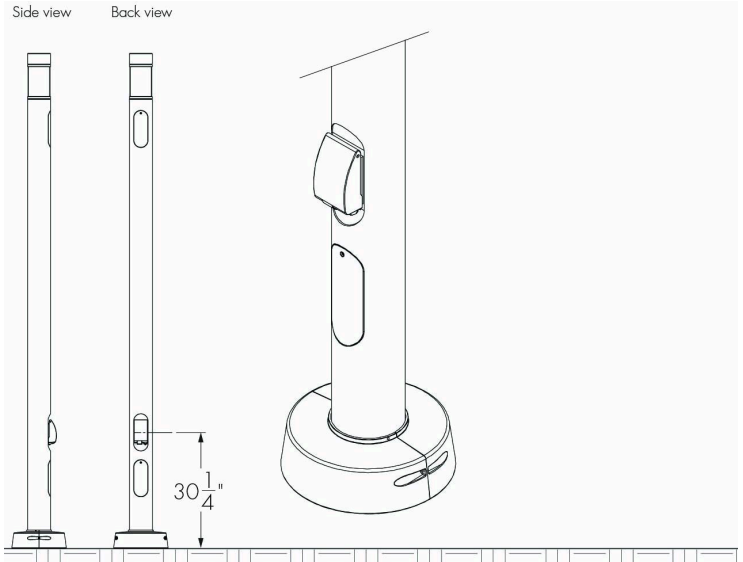
**DRG - Ground Fault Duplex Receptacle**

**USB - Duplex Receptacle with USB A and USB C as Installed**



**DRG IU - Ground Fault Duplex Receptacle (While in Use)**

**USB IU - Duplex Receptacle with USB A and USB C (While In Use) as Installed**



Duplex receptacle (DRG, USB, DRG IU and USB IU) is installed on the side opposite to street side. (consult factory for others configurations).

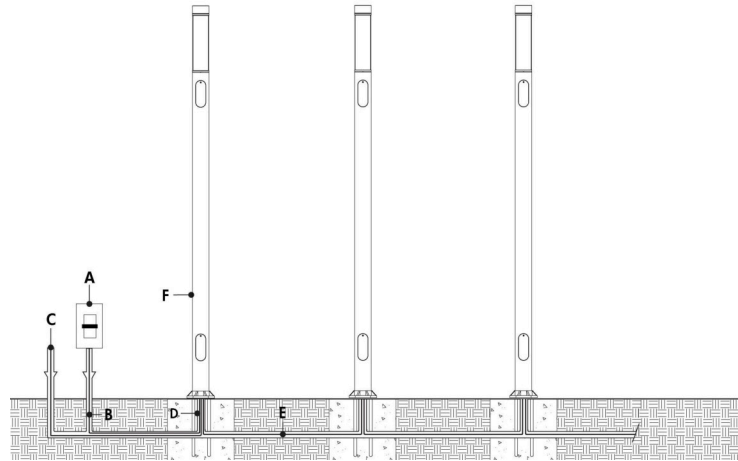
The duplex receptacle must be installed in accordance with applicable national and local electrical and construction codes by a person familiar with the construction and operation of the product and the hazards involved. Refer to national and local electrical codes before selecting a duplex receptacle to ensure all requirements are met.

## Typical Wiring Diagrams

### Wiring Color Code

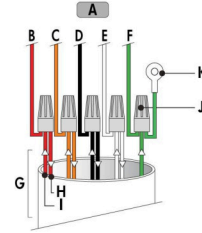
Color	Black	White	Green	Purple/Red	Gray/Orange
Use	Line	Line/Neutral	Ground	0-10V+ /Data +	0-10V- /Data -

### 0-10V Dimming (DIM)



- A - Dimmer (by others)
- B - Data wiring (by others)
- C - Power input (120-277V, wiring by others)
- D - Conduit (by others)
- E - Power and data wiring (by others)
- F - Luminalta Column

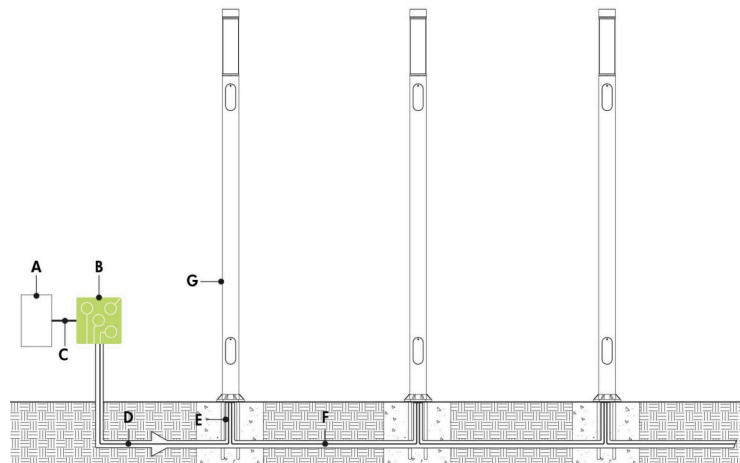
### 0-10V Dimming (DIM) - Wiring Detail



- A - To fixture
- B - 0-10V +
- C - 0-10V -
- D - Line
- E - Neutral
- F - Ground
- G - Conduit (by others)
- H - To next fixture
- I - Power input or from previous fixture
- J - Wire-nuts (by others)
- K - Ground lug

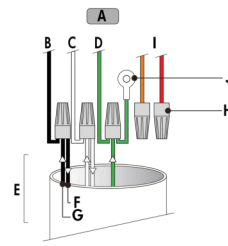
- Consult factory for specific applications and maximum fixture count/cable length recommendations.
- 0-10V mA ratings: passive dimmer (Current Sink): 3mA per fixture, active dimmer (Current Source): 0.5mA per fixture.
- 1% minimum dimming value.

**Lumentalk (LT)**



- A** - Dimmer/controller (order separately from Lumenpulse, or by others)
- B** - Lumentranslator (LTL-010, -DMX, -TRIAC, -DALI)
- C** - Data wiring (by others)
- D** - Power line (120-277V, wiring by others)
- E** - Conduit (by others)
- F** - Power wiring (by others)
- G** - Lumenalta Column

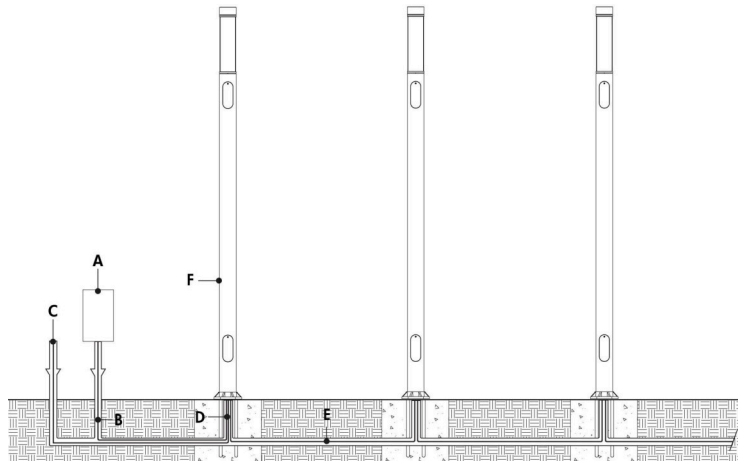
**Lumentalk (LT) - Wiring Detail**



- A** - To fixture
- B** - Line
- C** - Neutral
- D** - Ground
- E** - Conduit (by others)
- F** - To next fixture
- G** - Power input or from previous fixture
- H** - Wire-nuts (by others)
- I** - Not required
- J** - Ground lug

- Consult factory for specific applications and maximum fixture count/cable length recommendations.
- Lumentalk enabled fixtures must be commissioned using LumentalkID software and a LID-LT. Consult factory for details.
- Maximum of 1 transmitter (Lumentranslator or Lumenlink) per system.
- No third party fixtures allowed on the same circuit.
- For DMX applications: 1 DMX controller per Lumentalk network, maximum of 48 DMX channels per Lumentalk network (minimum step transition update rate is 1 second, minimum fade time between two colors is 1 minute). Consult factory for applications that require additional capabilities.
- Consult factory for DALI Lumentalk applications.
- 1% minimum dimming value.

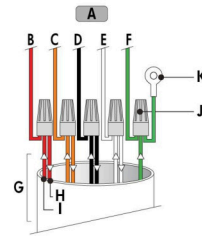
**DALI Dimming (DALI)**



- A** - DALI controller (by others)
- B** - Data wiring (by others)
- C** - Power input (120-277V, wiring by others)
- D** - Conduit (by others)
- E** - Power and data wiring (by others)
- F** - Luminalta Column

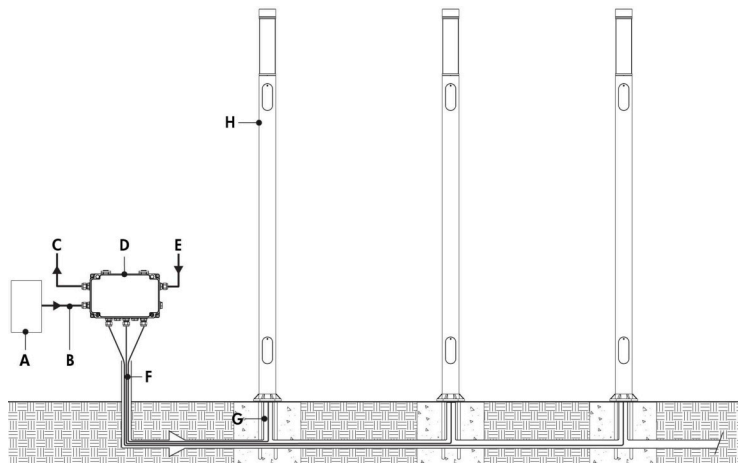
- Consult factory for specific applications and maximum fixture count/cable length recommendations.
- Maximum of 64 DALI fixtures per DALI loop.
- 1% minimum dimming value.

**DALI Dimming (DALI) - Wiring Detail**



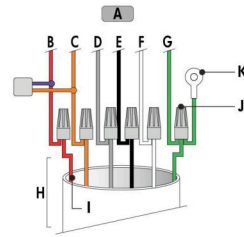
- A** - To fixture
- B** - Data +
- C** - Data -
- D** - Line
- E** - Neutral
- F** - Ground
- G** - Conduit (by others)
- H** - To next fixture
- I** - Power input or from previous fixture
- J** - Wire-nuts (by others)
- K** - Ground lug

**Star Layout (DMX/RDM)**



- A** - DMX/RDM controller (order separately from Lumenpulse, or by others)
- B** - Data input (Belden 9841 or equivalent, by others)
- C** - Data output to next CBX (optional, not isolated/not boosted)
- D** - CBX-ST
- E** - Power input (120-277V, wiring by others)
- F** - Power and data output to fixture (wiring by others)
- G** - Conduit (by others)
- H** - Lumenalta Column

**DMX/RDM - Wiring Detail ( Star Layout)**



- A** - To fixture
- B** - Data +
- C** - Data -
- D** - DMX Signal common
- E** - Line
- F** - Neutral
- G** - Ground
- H** - Conduit (by others)
- I** - From CBX or from previous fixture
- J** - Wire-nuts (by others)
- K** - Ground lug

- Consult CBX installation instructions for additional wiring details.
- Consult factory for specific applications and maximum fixture count/cable length recommendations.
- The DMX/RDM protocol states a maximum of 32 DMX/RDM enabled fixtures on any single run.
- Maximum of 4 DMX/RDM repeaters/CBX cascading in line.
- Maximum of 6 outputs per CBX-ST.
- Each fixture requires 1 DMX address.
- DMX terminator is required at the end of each run to maintain data integrity. Six (6x) DMX lumenterminators included per CBX-ST. See installation instructions for details.
- 1% minimum dimming value.
- 100 watts per fixture.

**How to Order**

Housing	Dimensions	Voltage	Total Height (Nominal)	Optical System	Head Height	Lens Finish	Output	Color and Color Temperature	Color Rendering <sup>(5)</sup>	Distributions
ALTC Lumenalta Column	6 6 in	<b>120</b> 120 Volts	<b>10FT</b> 10 ft <sup>(1) (2)</sup>	<b>DVO</b> Direct View Optic	<b>H12</b> 14 1/2 in	<b>O</b> Opal Lens	<b>21W</b> 21 W/ft	<b>22K</b> 2200K	<b>CRI 90</b> CRI 90+ (White Light Only)	<b>5</b> Type V
		<b>208</b> 208 Volts	<b>11FT</b> 11 ft <sup>(2)</sup>		<b>H24</b> 26 1/2 in			<b>27K</b> 2700K		
		<b>240</b> 240 Volts	<b>12FT</b> 12 ft		<b>H36</b> 38 1/2 in			<b>30K</b> 3000K		
		<b>277</b> 277 Volts	<b>13FT</b> 13 ft		<b>H48</b> 50 1/2 in			<b>35K</b> 3500K		
			<b>14FT</b> 14 ft					<b>40K</b> 4000K		
			<b>15FT</b> 15 ft					<b>MRGBWP</b> Opticolor+® Mix-at-Source Red, Green, Blue Plus White Settable Range 24K to 65K <sup>(3)</sup>		
			<b>16FT</b> 16 ft					<b>MRGROYWP</b> Opticolor+® Mix-at-Source Red, Green, Royal Blue Plus White Settable Range 24K to 65K <sup>(3) (4)</sup>		
			<b>17FT</b> 17 ft							
			<b>18FT</b> 18 ft							
			<b>19FT</b> 19 ft							
			<b>20FT</b> 20 ft							

**Notes:**

- 1. Not available for H36 Head Height.
- 2. Not available for H48 Head Height.
- 3. Available with DMX/RDM, LT and DALI Control Options only.
- 4. Consult factory for details.
- 5. Available for 22K, 27K, 30K, 35K and 40K color temperatures only.

**How to Order**

Finish	Control	Option	Anchor Bolts Option	Base Cover Options
<b>BK</b> Black Sandtex®	<b>DIM</b> 0-10V Dimming <sup>(9)</sup>	<b>VRN</b> Normal Vibration Rating <sup>(14)</sup>	<b>AB</b> Anchor Bolts <sup>(22)</sup>	<b>WL</b> Round Base Cover WL for 6 in Pole
<b>BRZ</b> Bronze Sandtex®	<b>LT</b> Lumentalk Enabled Dimming <sup>(10)</sup>	<b>CRC</b> Corrosion-Resistant Coating <sup>(15) (16)</sup>		<b>WC</b> Round Base Cover WC for 6 in Pole
<b>SI</b> Silver Sandtex®	<b>DMX/RDM</b> DMX/RDM Enabled Dimming <sup>(11)</sup>	<b>SP</b> Surge Protector		<b>WO</b> Round Base Cover WO for 6 in Pole
<b>BKTX</b> Textured Black	<b>DALI</b> DALI Dimming <sup>(12) (13)</sup>	<b>DRG</b> Ground Fault Duplex Receptacle <sup>(17) (18) (19)</sup>		<b>WY</b> Round Base Cover WY for 6 in Pole
<b>BRZTX</b> Textured Bronze Non-Metallic		<b>DRG IU</b> Ground Fault Duplex Receptacle (While in Use) <sup>(17) (18) (19)</sup>		
<b>GRATX</b> Textured Medium Gray		<b>USB</b> Duplex Receptacle with USB A and USB C <sup>(17) (18) (19)</sup>		
<b>GRNTX</b> Textured Green		<b>USB IU</b> Duplex Receptacle with USB A and USB C (While in Use) <sup>(17) (18) (19)</sup>		
<b>WHTX</b> Textured White		<b>IAP</b> Internal Anchor Plate <sup>(20) (21) (22)</sup>		
<b>CC</b> Custom Color & Finish <sup>(6) (7) (8)</sup>		<b>EAP</b> External Anchor Plate <sup>(22)</sup>		
		<b>DB</b> Direct Burial <sup>(20) (23)</sup>		

**Notes:**

- 6. Specify RAL number followed by "TX" for textured finish (ex: RAL9007TX) or STX for Sandtex finish (ex: RAL9007STX). Textured or Sandtex finishes are recommended for the durability of all products. If a finish is not specified with the RAL number (ex: RAL9007), a glossy finish will be provided. Please consult factory for other RAL textures and glosses, or to match alternate color charts. Final color matching results may vary.
- 7. Setup charges apply for RAL colors. Consult factory for details.
- 8. Longer lead times can be expected for custom RAL color finishes.
- 9. Not available for MRGBWP and MRGROYWP Color Temperatures. Segment control (resolution by foot) not available.
- 10. A Lumentranslator 2 (LTL2) and LumenID (LID) must be specified for Lumentalk applications. Consult Lumentranslator 2 and Lumentalk pages and specification sheets for details.
- 11. A Control Box (CBX) and LumenID (LID) must be specified.
- 12. DALI 2 T6 controller required for static white (22K, 27K, 30K, 35K, 40K), provided by others. Segment control (resolution by foot) not available.
- 13. DALI 2 T8 controller required for MRGBWP and MRGROYWP, provided by others. Segment control (resolution by foot) not available.
- 14. VRN must be specified for all installations.
- 15. Use only when exposed to salt spray. This option is not required for normal outdoor exposure.
- 16. Setup charges apply. Consult factory for details.
- 17. Not available with LT control option.
- 18. Only one duplex receptacle can be specified per fixture.
- 19. Maximum operating temperature with is -31 °F.
- 20. Must be specified with VRN (Normal Vibration Rating).
- 21. Not available for Total Heights of 16 ft and above.
- 22. Not required for DB Direct Burial option.
- 23. Not available for Total Heights of 17 ft and above.