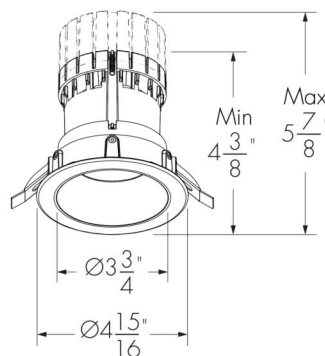


Project Name \_\_\_\_\_ Qty \_\_\_\_\_

Type \_\_\_\_\_ Catalog / Part Number \_\_\_\_\_



**Round trim**  
(Deep decorative bezel shown with 1 in in ceiling springs)  
Round trim ceiling cutout: Ø4.5 in

**Photometric Summary**

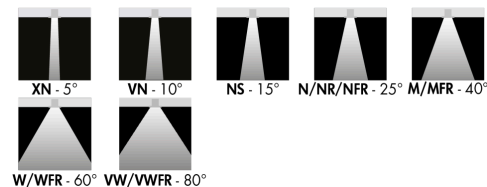
Based on Wide Faceted Reflector (nominal 600°), 4000K, CRI 90+

Nominal output [lm]	Delivered output [lm] <sup>(1)</sup>	Non-insulated ceiling		Insulated ceiling	
		Power (120V) [W]	Efficacy [lm/W]	Power (120V) [W]	Efficacy [lm/W]
700	591	8.5	70	6.5	91
1000	763	10	76	8	95
1300	1,059	13	81	11	96
2000	1,649	20	82	18	92
3000	2,462	25	98	N/A	N/A
4000	3,239	33	98	N/A	N/A
5000	3,822	41	93	N/A	N/A

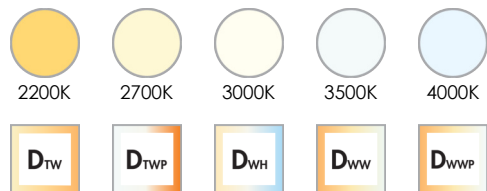
<sup>1</sup> Consult website for latest IES files.

<sup>2</sup> Photometric performance is measured in compliance with IESNA LM-79-24.

**Optics**



**Color and Color Temperature**



**Description**

The Lumencore Recessed Small Shower Rated is a high-performance LED downlight for ceiling applications in wet locations. Available in an array of trims and finishes, optics, color renderings, accessories, and with a Shower Rated IP55 Dead Front. The Lumencore Recessed Small Shower Rated possesses a previously unseen lifespan, is quick to install, and can be used with a number of different control options.

**Physical**

<b>Cutout</b>	<b>R:</b> Round
<b>Decorative Bezel</b>	Deep Rollover, Polycarbonate bezel for Dead Front protection
<b>Ceiling Thickness</b>	<b>1:</b> 0.04 in to 1 in Ceiling Thickness <b>2:</b> 1.05 in to 2 in Ceiling Thickness
<b>Housing Material</b>	Aluminum
<b>Lens Seal Material</b>	Silicone
<b>Gasket Material</b>	Urethane foam
<b>TIR Optics Material</b>	Clear polycarbonate
<b>Reflector Material</b>	Aluminum
<b>Bezel Material</b>	Polycarbonate
<b>Weight</b>	3.4 lbs with RM installation type, 4.75 lbs with NC installation type, 10.8 lbs with PC, IC, IC/AT and RMR installation types (Weights are approximate based on the heaviest fixture configuration)

Please consult factory if exact fixture weight is needed

**Color Rendering**

CRI 80+	CRI 90+	CRI 95+
------------	------------	------------

**Controls**



**Ceiling Cutout Shape**



R - Round

**Decorative Bezel**



DR - Deep rolled over

**Standard Finishes for Decorative Bezel**



MWH - Matte white MBK - Matte black

**Trim Shape**



RD - Round

**Ratings**



**Lumencycle™ Program**



**Certifications**



**Ceiling Space Requirements (Length x Width x Height)**

Up to 18 in x 18 in x 8 in with RM and NC installation types,  
Up to 18 in x 15 in x 9 in with PC/IC/ICAT/RMR installation types  
Dimensions will vary by output and color rendering, refer to Ceiling Requirements table for details

**Features**

**Output (Nominal Lumens)** L07: 700 lm, L10: 1000 lm, L13: 1300 lm, L20: 2000 lm, L30: 3000 lm, L40: 4000 lm, L50: 5000 lm

**Color and Color Temperature**  
**22K:** 2200K  
**27K:** 2700K  
**30K:** 3000K  
**35K:** 3500K  
**40K:** 4000K  
**DTW:** Dim to Warm  
**DTWP:** Dim to Warm Plus  
**DWH:** Dynamic White  
**DWW:** Dynamic Warm White  
**DWWP:** Dynamic Warm White Plus

**Optics (Nominal Distribution)**  
**XN:** Extra Narrow Spot Distribution 5°  
**VN:** Very Narrow Spot Distribution 10°  
**NS:** Narrow Spot Distribution 15°  
**N:** Narrow Distribution 25°  
**NR:** Narrow Reflector 25°  
**NFR:** Narrow Faceted Reflector 25°  
**M:** Medium 40°  
**MFR:** Medium Faceted Reflector 40°  
**W:** Wide 60°  
**WFR:** Wide Faceted Reflector 60°  
**VW:** Very Wide 80°  
**VWFR:** Very Wide Faceted Reflector 80°

**Decorative Bezel Finish**  
**MWH:** Matte White  
**MBK:** Matte Black

**Installation Type**  
**RM:** Remodel Non-Insulated Ceiling (Non-Plenum Rated)  
**NC:** New Construction Non-Insulated Ceiling (Non-Plenum Rated)  
**PC:** Plenum Non-Insulated Ceiling (Enclosed Box)  
**IC:** New Construction Insulated Ceiling (Enclosed Box)  
**IC/AT:** New Construction Insulated Ceiling (Chicago Plenum/airtight, enclosed box)  
**RMR:** Remote Recessed Insulated Ceiling/Plenum (enclosed box)

**Certifications** UL compliant, UL Wet Location, ENERGY STAR®, RoHS

**Warranty** 5-year limited warranty

**Electrical and Control**

**Voltage** 120: 120 Volts, 277: 277 Volts, 347: 347 Volts

**Wattage Range** 8.5W to 42W (wattage will vary based on voltage, output, color temperature, color rendering, optic, control and installation type, refer to Power Consumption table for details)

<b>Control</b>	<p><b>NO:</b> On/Off Control</p> <p><b>NO3:</b> On/Off Control 347V</p> <p><b>DAMC:</b> Standard 0-10V Dimming 1% Linear Curve</p> <p><b>DA1:</b> Standard 0-10V Dimming 1% Linear Curve</p> <p><b>DA2:</b> Standard 1-10V Dimming 1% Logarithmic Curve</p> <p><b>DA3:</b> Standard 0-10V Dimming 1% Linear Curve (347V)</p> <p><b>PDA1:</b> Professional 0-10V Dimming 0.1% Linear Curve</p> <p><b>PDA2:</b> Professional 0-10V Dimming 0.1% Logarithmic Curve</p> <p><b>PH:</b> Phase Dimming</p> <p><b>PPH:</b> Phase Dimming 1%</p> <p><b>PHB:</b> Pro Phase Dimming ERP PHB Series</p> <p><b>ES:</b> Lutron® Hi-lume 1% EcoSystem® LDE1/PEQ1 Soft-on/Fade-to-Black</p> <p><b>ESP:</b> Lutron® Hi-lume Premier 0.1% EcoSystem® PEQ0 Soft-on/Fade-to-Black</p> <p><b>CA:</b> Lutron® Caséta dimming compatible (Lutron Hi-lume 1% 2-wire LTEA) (temporarily unavailable)</p> <p><b>VI:</b> Lutron® Vive control enabled (Lutron VIVE FCJS-010)</p> <p><b>NL:</b> nLight® control enabled (nPS-80-EZ)</p> <p><b>NLER:</b> nLight® emergency control enabled (nPS-80-EZ-ER)</p> <p><b>NL347:</b> nLight® control enabled 347V (nPS-80-EZ-347)</p> <p><b>SDALI1:</b> Standard DALI Dimming 1% Linear Curve</p> <p><b>SDALI2:</b> Standard DALI Dimming 1% Logarithmic Curve</p> <p><b>DALI1:</b> Professional DALI Dimming 0.1% Linear Curve</p> <p><b>DALI2:</b> Professional DALI Dimming 0.1% Logarithmic Curve</p> <p><b>DALIT8:</b> DALI-2 T8 Enabled Dimming 1%</p> <p><b>DMX/RDM:</b> DMX/RDM Enabled Dimming 1%</p> <p><b>LT:</b> Lumentalk Enabled Dimming</p>
----------------	---

**Performance**

<b>Maximum Delivered Output</b>	Up to 3,957 lm (Medium Faceted Reflector optic 40°, 4000K, CRI 90)
<b>Maximum Delivered Intensity</b>	Up to 38,646 cd (Extra Narrow Spot optic 5°, 4000K, CRI 80)
<b>Color Consistency</b>	2 SDCM, 3 SDCM (XN optic only)
<b>Color Rendering</b>	<b>80:</b> CRI 80+, <b>90:</b> CRI 90+, <b>95:</b> CRI 95+
<b>Lumen Maintenance</b>	L95 55,000 hrs (Ta 25 °C) L70 225,000 hrs (Ta 25 °C)

**Environmental**

<b>Ingress Protection Rating</b>	IP54, IP55 (suitable for "Dead Front" shower rated locations)
<b>Environment</b>	Wet location rating
<b>Operating Temperature (Ceiling Cavity Ambient Temperature)</b>	-4 °F to 104 °F (DA1, DA2, DA3, PDA1, PDA2, SDALI1, SDALI2, DALI1, DALI2, DALIT8, LT, DMX/RDM, PH and PPH control options), 14 °F to 104 °F (NO, NL, NLER, NL347 control options), 32 °F to 104 °F (NO3, VI, PPH2, ES, ESP and CA control options)

**Accessories (Order Separately)**

<b>Control Systems</b>	Pharos® Designer Lighting Control Kit (PHAROS), Pharos® Expert Control Kit (EXPERT)
<b>Diagnostic and Addressing Tools</b>	LumenID (LID)

## Important

---

### Virtual Patent Marking Notice

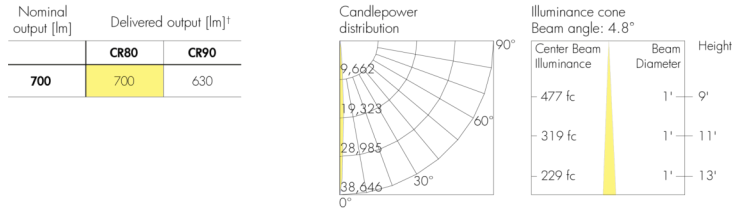
This website (<https://www.lmpg.com/patents-trademarks>) is provided to satisfy the virtual patent marking provisions of applicable jurisdictions. Some products listed may be covered by additional patents not referenced here.

### Lumencycle™ Program

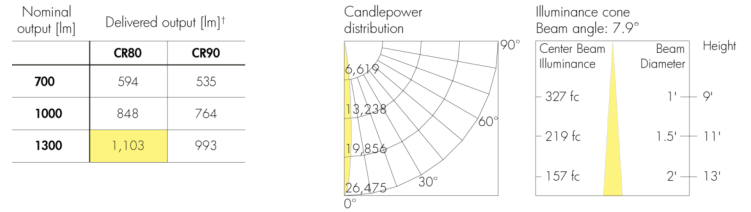
Lumencycle is a comprehensive program designed to maximize the life of Lumenpulse fixtures while preserving their performance, quality, and design intent. Built around three pillars—Repair, Restore, and Recycle—the program provides clear pathways to maintain existing installations, restore fixtures, and responsibly manage them at end of life. For full program details, visit <https://www.lumenpulse.com/lumencycle>.

Photometric Information

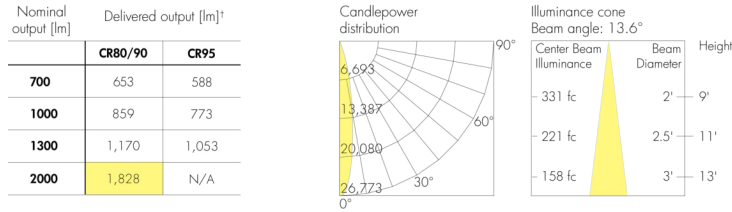
XN - Extra Narrow Spot (Nominal 5°), 4000K



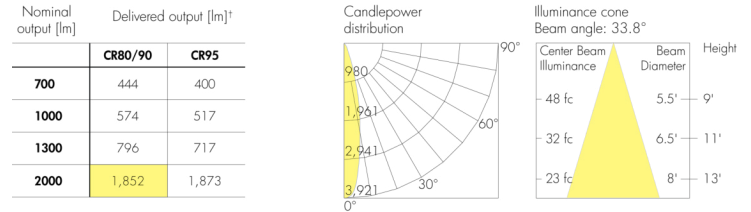
VN - Very Narrow Spot (Nominal 10°), 4000K



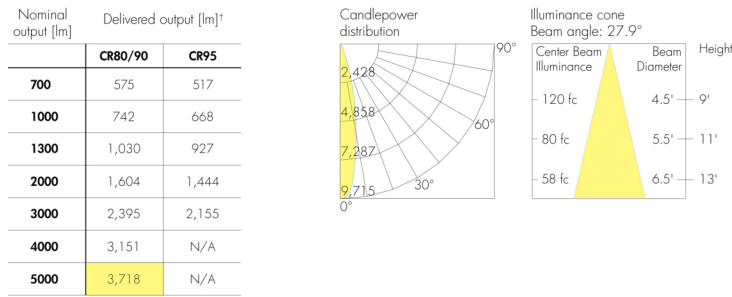
NS - Narrow Spot (Nominal 15°), 4000K



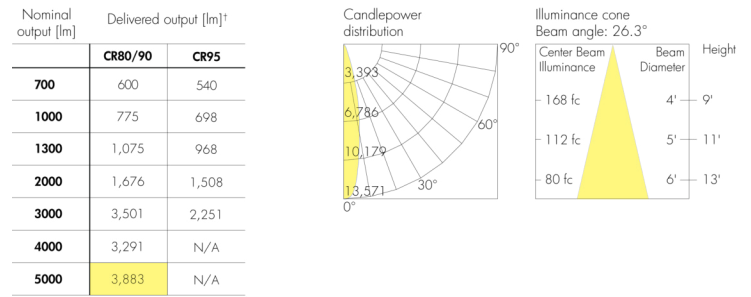
N - Narrow (Nominal 25°), 4000K



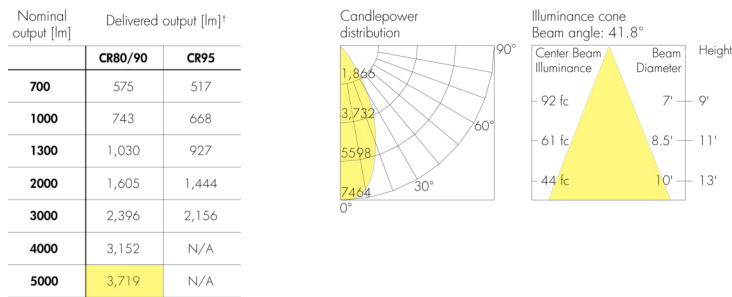
NR - Narrow Reflector (Nominal 25°), 4000K



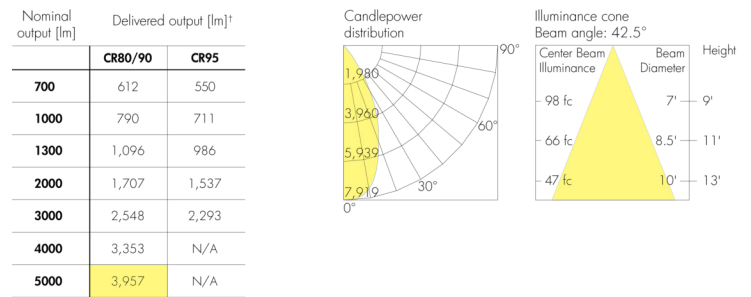
NFR - Narrow Faceted Reflector (Nominal 25°), 4000K



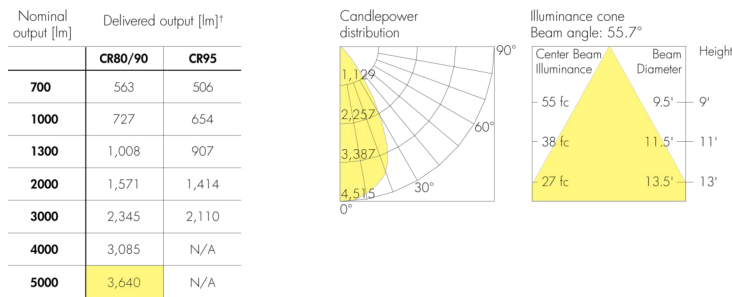
M - Medium (Nominal 40°), 4000K



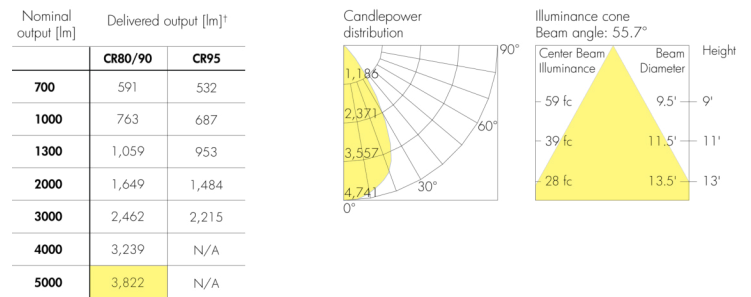
MFR - Medium Faceted Reflector (Nominal 40°), 4000K



W - Wide (Nominal 60°), 4000K

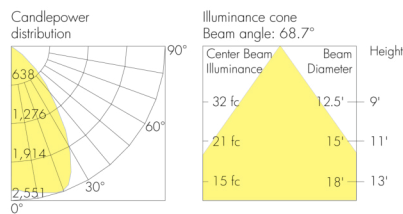


WFR - Wide Faceted Reflector (Nominal 60°), 4000K



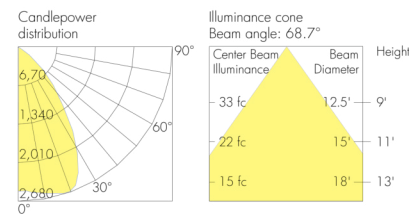
**VW - Very Wide (Nominal 80°), 4000K**

Nominal output [lm]	Delivered output [lm]†	
	CR80/90	CR95
700	524	472
1000	677	609
1300	939	845
2000	1,463	1,317
3000	2,184	1,966
4000	2,874	N/A
5000	3,391	N/A



**VWFR - Very Wide Faceted Reflector (Nominal 80°), 4000K**

Nominal output [lm]	Delivered output [lm]†	
	CR80/90	CR95
700	550	495
1000	711	640
1300	986	888
2000	1,537	1,383
3000	2,294	2,064
4000	3,018	N/A
5000	3,561	N/A

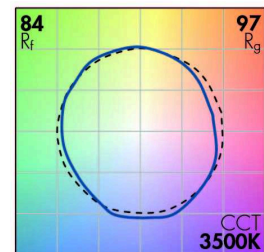


† Consult website for IES files. Delivered output: +/- 10% tolerance.  
Consult Power consumption section for more wattage information.

**TM-30**

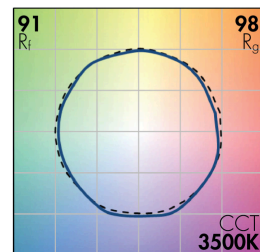
**CRI 80+**

CRI 80 +				
CCT	CIE		TM-30	
3500K	R <sub>a</sub>	84	84	R <sub>f</sub>
	R <sub>g</sub>	15	97	R <sub>g</sub>



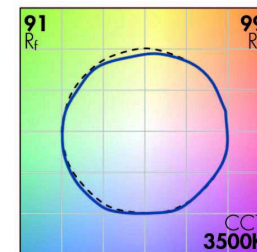
**CRI 90+**

CRI 90 +				
CCT	CIE		TM-30	
3500K	R <sub>a</sub>	94	91	R <sub>f</sub>
	R <sub>g</sub>	55	98	R <sub>g</sub>



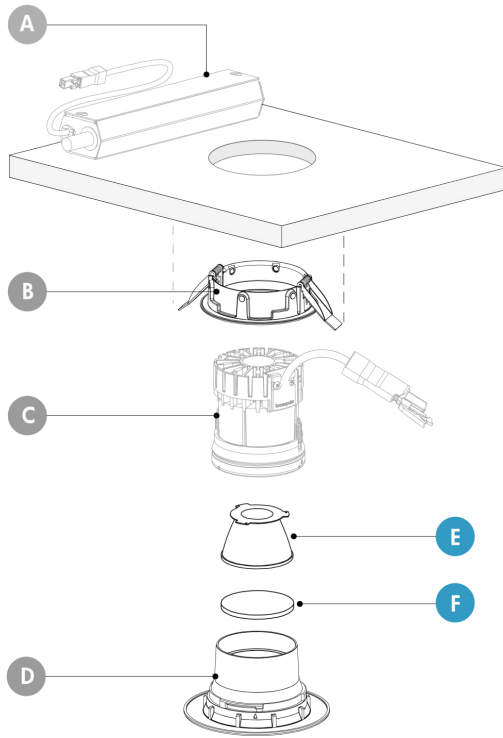
**CRI 95+**

CRI 95 +				
CCT	CIE		TM-30	
3500K	R <sub>a</sub>	97	91	R <sub>f</sub>
	R <sub>g</sub>	97	99	R <sub>g</sub>



Refer to TM-30 Reference Guide for details.

**Exploded Overview - Part Selection**



**Standard Parts**

- A** - MTG Mounting kit
- B** - Ceiling mounting ring, complete with a urethane foam gasket
- C** - LUM Core (heatsink, universal fixing ring, LED module)
- D** - Deep rolled over decorative bezel (plastic material for "Dead Front" shower applications complete with silicone-sealed glass lens)

MTG: Mounting Kit  
LUM: Luminaire

**Customizable Parts**

- E** - Optic\*
- F** - Optical accessory\*\*

\*Field changeable. Consult Interchangeable Optics section of the specification sheet for details. Consult factory for ordering details.

\*\*Field changeable, consult installation instructions for details. Consult factory for ordering details.

**Ceiling Requirements**

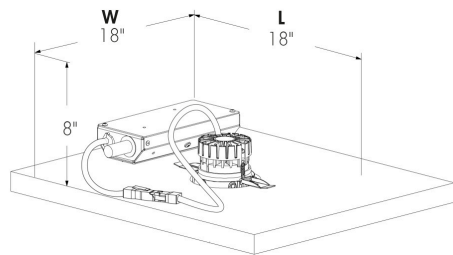
**Ceiling Cavity Space Requirements (Length x Width x Height)**

Installation type	Output/Color Rendering								
	L07	L10	L13	L20		L30		L40	L50
	CR80/90/95			CR80/CR90	CR95	CR80/CR90	CR95	CR80/CR90	CR90
<b>RM</b>	11" x 11" x 6"			12" x 12" x 6"		18" x 18" x 8"			
<b>NC</b>	14" x 11" x 6"			14" x 11" x 6"		18" x 18" x 8"			
<b>PC/IC/ICAT/RMR</b>	14.5" x 10" x 7"		18" x 15" x 9"			N/A		N/A	

See Installation Type section for dimensional view of keep out and/or MTG mounting kit option. Above dimensions include any keep out requirements for proper airflow and thermal cooling.

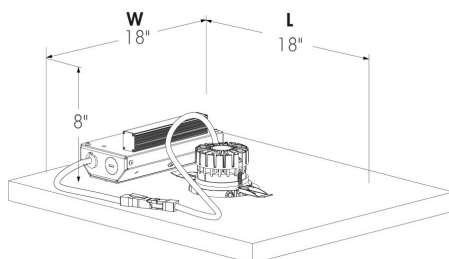
## Installation Types

### RM: Remodel Non-Insulated Ceiling (Non-Plenum Rated) (NO, PH, ES and ESP Controls Only)



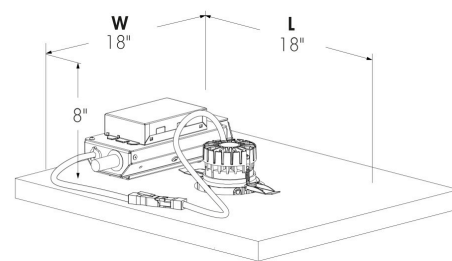
L30 CR90/95, L40 CR80/90 and L50 CR90 shown.

### RM: Remodel Non-Insulated Ceiling (Non-Plenum Rated) (DALI8, DMX/RDM and LT Control Options Only)



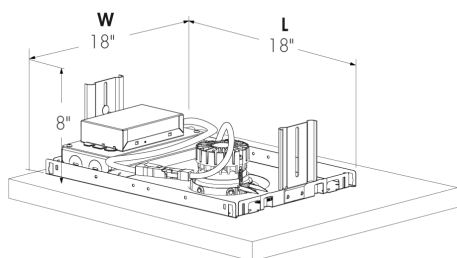
L30 CR90/95, L40 CR80/90 and L50 CR90 shown.

### RM: Remodel Non-Insulated Ceiling (Non-Plenum Rated) (Other Controls)



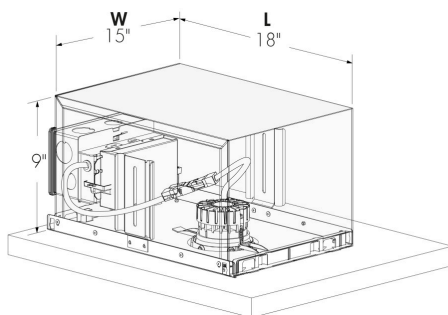
L30 CR90/95, L40 CR80/90 and L50 CR90 shown.

### NC: New Construction Non-Insulated Ceiling (Non-Plenum Rated)



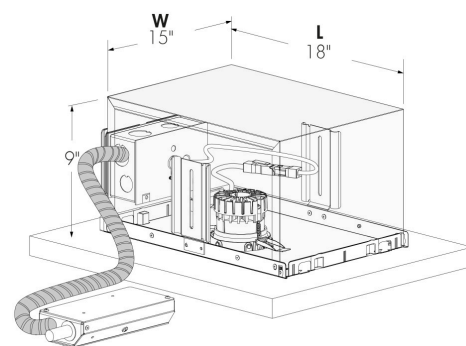
L30 CR90/95, L40 CR80/90 and L50 CR90 shown.

### IC, PC, IC/AT: New Construction Insulated and Non-Insulated Ceiling (Enclosed Box)



L30 CR90/95, L40 CR80/90 and L50 CR90 shown.

### RMR: Remote Recessed Insulated Ceiling/Plenum (Enclosed Box)



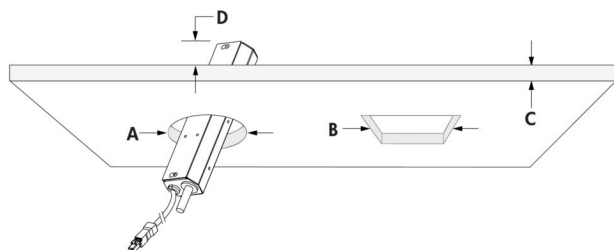
Luminaire ceiling cavity space requirements for L13 CR80/90/95 and L20 CR80/90/95 shown. Refer to remote driver box dimensions in installation instructions for space required for driver.

Remote distance is a maximum of 75 ft, consult Lumenpulse Application Engineering Team for longer remote distances.

Fixture shown for reference only. Refer to Ceiling Requirements section and installation instructions for dimensions and ceiling cutout requirements.

## Ceiling Requirements

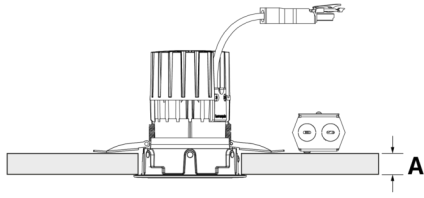
### Ceiling Cutout



- A - Ceiling cutout: Ø4.5 in
- B - Ceiling cutout: 4.5 in x 4.5 in
- C - Maximum ceiling thickness: 2 in
- D - Minimum ceiling height: refer to Ceiling Cavity Space Requirements table

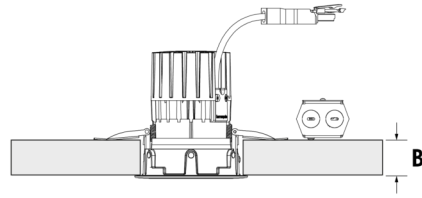
**Ceiling Thickness Options**

**Ceiling Thickness 1**



**A** - Ceiling thickness range: 0.04 in to 1 in

**Ceiling Thickness 2**

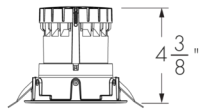


**B** - Ceiling thickness range: 1.05 in to 2 in

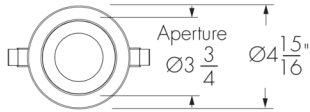
Ceiling springs are field changeable, consult installation instructions and factory for details.

**Dimensions**

**L07, L10, L13, L20 (CR80/90/95)  
L30 (CR80)**



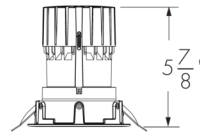
Front view



Bottom view

Round ceiling cutout: Ø4.5 in

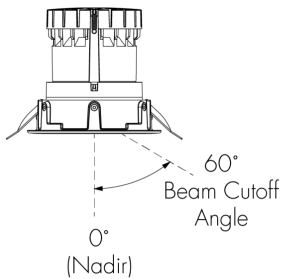
**L30 (CR90, CR95), L40 CR80/CR90, L50 (CR90)**



Front view

**Beam Cutoff Angle**

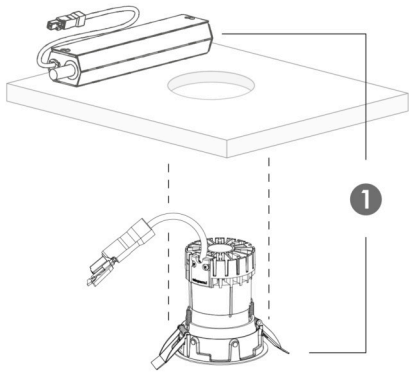
**DR - Deep Rolled Over**



Front view

## Delivery - How it Works

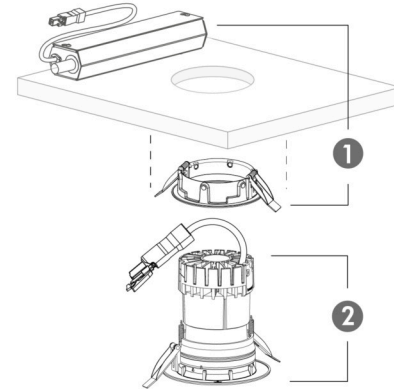
### Standard Shipping (1 delivery)



#### Included

1. MTG Mounting kit and complete fixture assembly

### Advanced Shipping of Mounting kit (2 Separate Deliveries)



#### Included

1. Optional advanced delivery: MTG Mounting kit and ceiling mounting ring
2. Second delivery: LUM Core (heatsink, universal fixing ring, LED module, optic, optical accessory, decorative bezel)

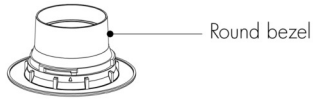
Consult factory for Advanced Shipping details.

## Ceiling Cutout Shape Options

---

### RD - Round Ceiling Cutout

---



## Decorative Bezel Options

---

### RD - Compatible Round Decorative Bezels

---



**DR** - Deep rolled over  
(plastic material for "Dead Front"  
shower applications)

## Standard Finishes - Decorative Bezels

---

### SH - Shower

---



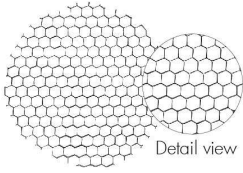
**MWH** - Matte white



**MBK** - Matte black

**Optical Accessories**

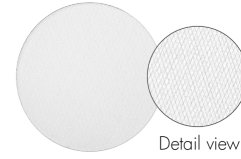
**HL - Honeycomb Louver**



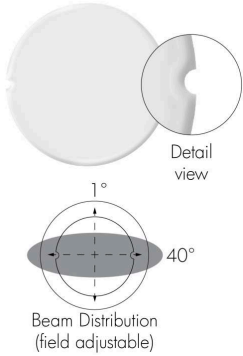
**SL - Softening Glass Lens**



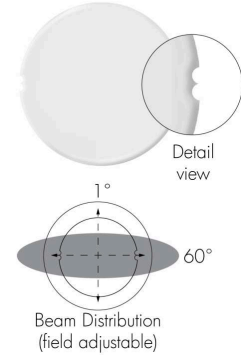
**PD - Prismatic Diffuser**



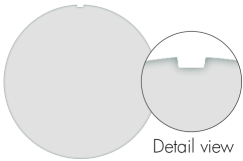
**LSN - Linear Spread Lens Narrow (1° x 40°)**



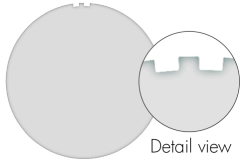
**LSW - Linear Spread Lens Wide (1° x 60°)**



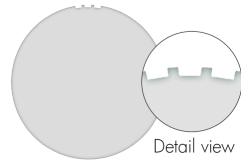
**BW1 - Beam Widening Lens (+10°)**



**BW2 - Beam Widening Lens (+20°)**



**BW3 - Beam widening lens (+30°)**



Refer to Beam Widening Lens table for beam distribution based on optic installed in the fixture.

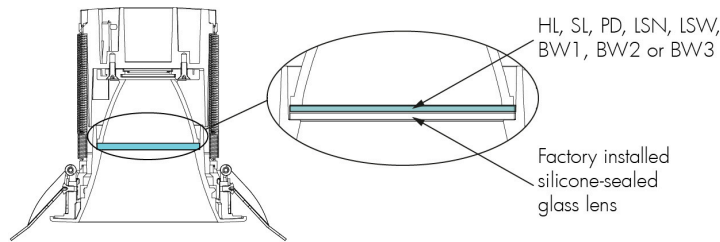
Refer to Beam Widening Lens table for beam distribution based on optic installed in the fixture.

Refer to Beam Widening Lens table for beam distribution based on optic installed in the fixture.

The accessory is mounted behind the silicone-sealed glass lens of the fixture. An additional accessory is factory installed and cannot be changed in the field.

**Optical Accessory (Factory Installed, Not Field Changeable)**

**One Optical Accessory Installed**



**Optics**

**TIR Optic - Total Internal Reflection**



Applicable to XN (5°), VN (10°), NS (15°) and N (25°) distributions.

**Semi-Specular Reflector**



Applicable to NR (25°), M (40°), W (60°) and VW (80°) distributions.

**Faceted Reflector**



Applicable to NFR (25°), MFR (40°), WFR (60°) and VWFR (80°) distributions.

**Beam Widening Lenses**

	Optic installed in fixture											
	XN 5°	VN 10°	NS 15°	N 25°	NR 25°	NFR 25°	M 40°	MFR 40°	W 60°	WFR 60°	VW 80°	VWFR 80°
<b>BW1</b>	11°	13°	17°	30°	30°	30°	41°	41°	61°	61°	81°	81°
<b>BW2</b>	21°	22°	24°	34°	34°	34°	45°	45°	63°	63°	82°	82°
<b>BW3</b>	30°	31°	33°	41°	41°	41°	50°	50°	67°	67°	85°	85°

The above beam angles are nominal beam angles.

Variations in beam angles can be seen due to different LES sizes. For exact beam calculations please consult factory.

Beam widening lenses should not be used with other accessories with the nominal results above.

**Interchangeable Optics**

	Optic installed in fixture							
	XN 5°	VN 10°	NS 15°	N 25°	NR 25°	M 40°	W 60°	VW 80°
<b>Interchangeable optics</b>	N/A	N/A	N/A	NR	N	N	N	N
				NFR	NFR	NR	NR	NR
				M	M	NFR	NFR	NFR
				MFR	MFR	MFR	M	M
				W	W	W	MFR	MFR
				WFR	WFR	WFR	WFR	W
				VW	VW	VW	VW	WFR
				VWFR	VWFR	VWFR	VWFR	VWFR
					<b>NFR</b>	<b>MFR</b>	<b>WFR</b>	<b>VWFR</b>
					25°	40°	60°	80°
					N	N	N	N
					NR	NR	NR	NR
					M	NFR	NFR	NFR
				MFR	M	M	M	
				W	W	MFR	MFR	
				WFR	WFR	W	W	
				VW	VW	VW	WFR	
				VWFR	VWFR	VWFR	VW	

The optic options listed above are field changeable. Consult factory and installation instructions for details.

\* Consult the Lumencore Recessed Small Wallwash specification sheet for details.

## Power Consumption

### Static White Color Temperatures

Output [lm]	Power consumption [W]									
	XN (5°) - VN (10°)		NS (15°)				N (25°) - NR (25°) - NFR (25°) - M (40°) - MFR (40°) - W (60°) - WFR (60°) - VW (80°) - VWFR (80°)			
	120 V	277 V	120 V		277 V		120 V		277 V	
	CR80/90		CR80/90	CR95	CR80/90	CR95	CR80/90	CR95	CR80/90	CR95
700	13	15	9.5	10	10.5	12	8.5	9	9.5	11
1000	17*	18*	13	14.5	14	16	10	13	12	15
1300	23*	24*	15	20	16	21	13	15	15	16
2000	N/A	N/A	23	N/A	24	N/A	20	23	21	24
3000	N/A	N/A	N/A	N/A	N/A	N/A	25**	42**	26**	42**
4000	N/A	N/A	N/A	N/A	N/A	N/A	33**	N/A	34**	N/A
5000	N/A	N/A	N/A	N/A	N/A	N/A	41**	N/A	41**	N/A

\*Not applicable to XN optic.

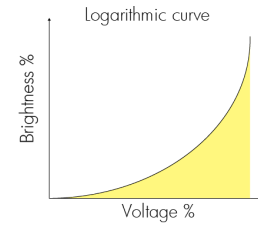
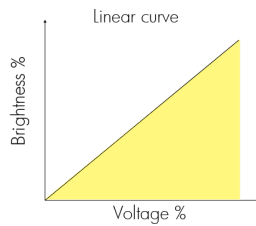
\*\*Not applicable to N optic.

### Dynamic Colors

Output [lm]	Power consumption [W]			
	NR (25°) - NFR (25°) - M (40°) - MFR (40°) - W (60°) - WFR (60°) - VW (80°) - VWFR (80°)			
	120 V		277 V	
	DTW - DTWP	DWW - DWH - DWWP	DTW - DTWP	DWW - DWH - DWWP
1000	14	N/A	15	N/A
1300	17	26	18	26
2000	27	N/A	28	N/A

- Power consumption values are for non-insulated ceiling (RM and NC) and remote recessed insulated ceiling/plenum (RMR) installation types. For plenum ceiling (PC), and new construction insulated ceiling (IC and IC/AT) installation types, remove 2 watts per fixture.
- Add 3 watts per fixture when specifying LT control option.
- Add 2 watts per fixture when specifying DMX/RDM control option.
- Add 1.5 watts per fixture when specifying PPH2, CA, NL, NLER or NL347 control option.
- Add 1 watt per fixture when specifying VI control option.
- Add 3 watts per fixture when specifying 347V.

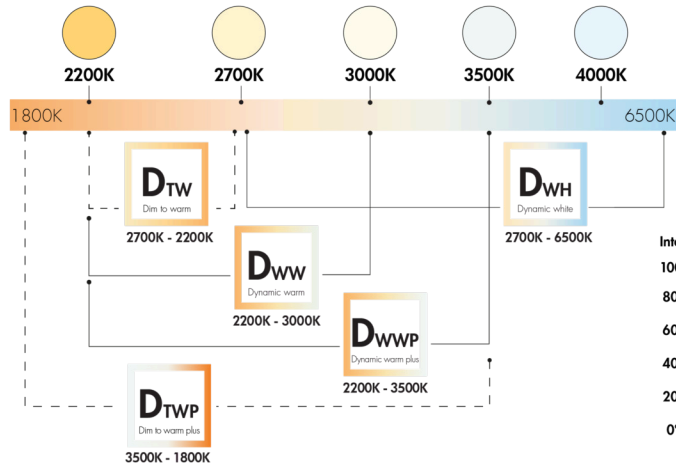
## Control



Dimming	Control options with linear dimming curve							Control options with logarithmic dimming curve			
Dimming down to 0.1%	PDA1	ESP	DALI1				PDA2	DALI2	DALI8		
Dimming down to 1%	DA1	DA3	DAMC	PPH	PHB	ES	SDALI1	DA2	SDALI2	DALI8	

## Color and Color Temperature

### Color Temperature Ranges

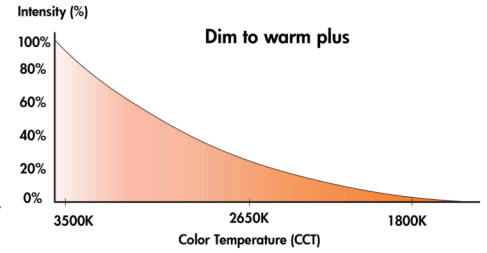
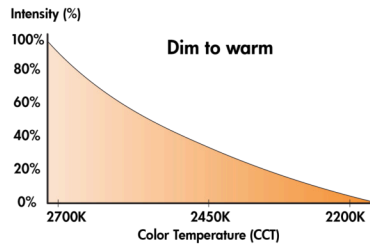


--- 1 channel (DTW, DTWP) Compatible with: DA1 ES SDALI1 SDALI2 DMXrdm lumen talk

— 2 channels\* (DWH, DWW, DWWP) Compatible with: DALI8 DMXrdm lumen talk

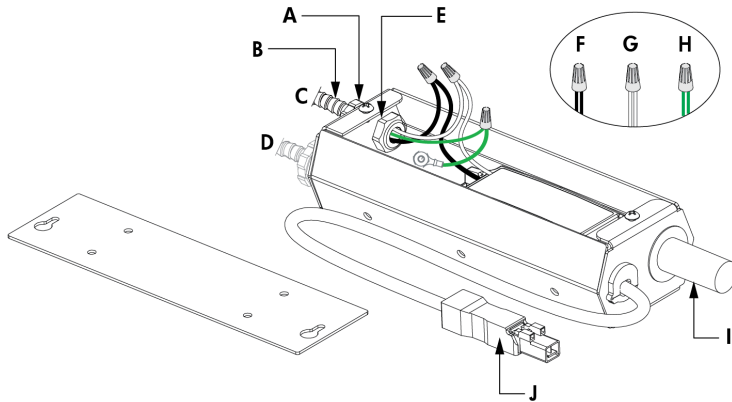
— 3 channels (DWH, DWW, DWWP) Compatible with: DALI8 DMXrdm lumen talk

\*Can be changed in the field via RDM & IT for individual CCT control.



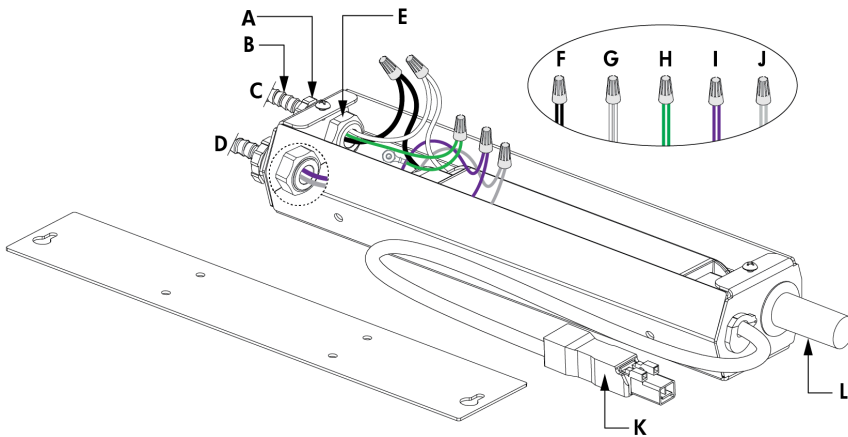
**Wiring Details RM: Remodel Non-Insulated Ceiling (Non-Plenum Rated)**

**NO And PH Controls - Wiring Detail**



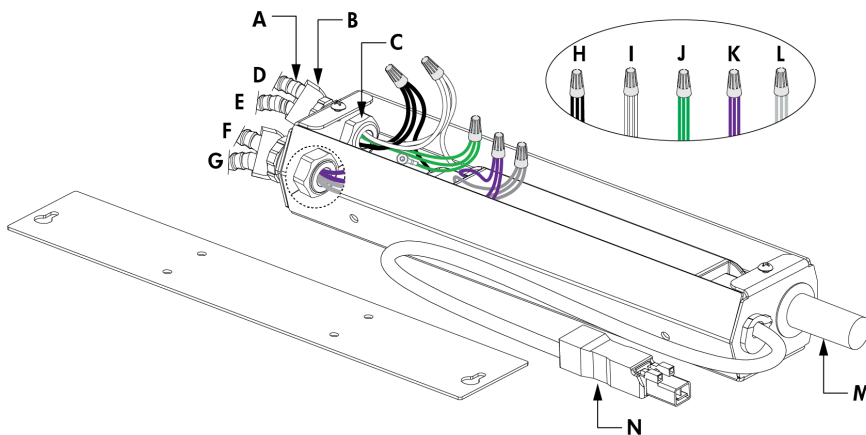
- A - Conduit fitting (by others)
- B - Conduit (by others)
- C - Power Input
- D - Optional Output
- E - Locknut (by others)
- F - Line
- G - Neutral
- H - Ground
- I - Thermal protector
- J - Output to luminaire

**Other Controls - Wiring Detail**



- A - Conduit fitting (by others)
- B - Conduit (by others)
- C - Power Input
- D - Data Input from Control System
- E - Locknut (by others)
- F - Line
- G - Neutral
- H - Ground
- I - Data +
- J - Data -
- K - Output to luminaire
- L - Thermal protector

**Other Controls - Daisy Chain Layout Wiring Detail**

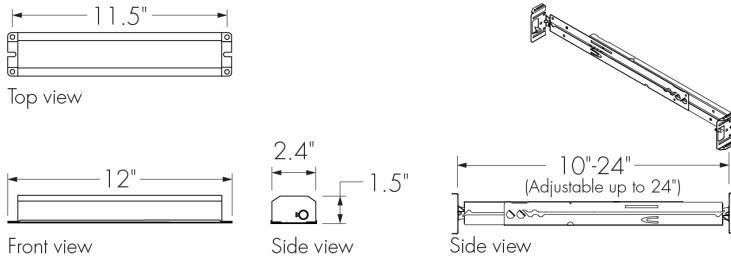


- A - Conduit (by others)
- B - Duplex connector (by others)
- C - Locknut (by others)
- D - Power Output to next luminaire
- E - Power input
- F - Data Output to next luminaire
- G - Data Input from Control System
- H - Line
- I - Neutral
- J - Ground
- K - Data +
- L - Data -
- M - Thermal protector
- N - Output to luminaire

Remodel driver box varies by control option. Refer to installation instructions for additional wiring details.

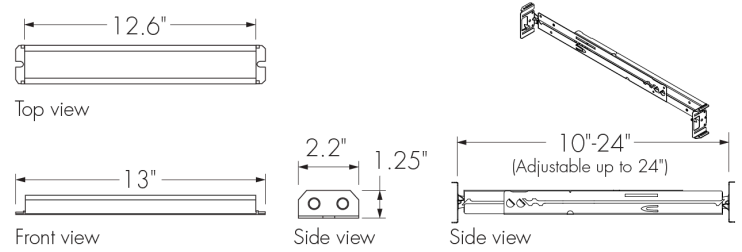
**Options**

**EBB - Emergency Battery Backup With Hanger Bar (Bodine BSL17C-C2)**



Hardware to mount the battery backup to the hanger bar is included. A test button is included. The unit comes pre-wired with 2 ft flexible conduit in and out. Refer to installation instructions for details.

**EBI - Emergency Battery Backup With Hanger Bar (Iota ILB-CP07-A TBTS)**



Hardware to mount the battery backup to the hanger bar is included. A test button is included. The unit comes pre-wired with 2 ft flexible conduit in and out. Refer to installation instructions for details.

**Diagnostic And Addressing Tools (Order Separately)**

**LID - LumenID**



The updated LumenID (LID) is an all-in-one diagnostic and addressing solution for both DMX/RDM and Lumentalk (LT) systems. Engineered for versatility, it streamlines commissioning and troubleshooting across protocols—no need for multiple tools. Cable option may vary; please consult factory. For complete details, refer to the LID specification sheet.

**Control Systems (Order Separately)**

**PHAROS - Pharos® Designer Lighting Control Kit**



The Pharos Designer Lighting Control Kit, available for 1 or 2 DMX universes, allows for complete control of large lighting installations.

**EXPERT - Pharos® Expert Control Kit**



The Pharos Expert Control Kit, available for 1, 2, 4 or 6 DMX universes, allows for complete control of large lighting installations.

How to Order

Housing (1)	Certification	Type	Voltage	Cutout	Output (Nominal Lumens)	Color and Color Temperature	Color Rendering	Optics (Nominal Distribution)
LCRS Lumencore Recessed Small - 4 in	A UL/cUL  ESR UL/cUL & ENERGY STAR® (2)	SH Shower (3) (4)	120 120 Volts  277 277 Volts  347 347 Volts (5) (6) (7) (8) (9)	R Round	L07 700 lm (10)  L10 1000 lm  L13 1300 lm  L20 2000 lm (11)  L30 3000 lm (11) (12) (13)  L40 4000 lm (11) (12) (13)  L50 5000 lm (12) (14) (15)	22K 2200K (8) (14) (17)  27K 2700K (17)  30K 3000K (17)  35K 3500K (17)  40K 4000K (17)  DTW Dim to Warm (2700K to 2200K) (8) (18) (19) (20)  DTWP Dim to Warm Plus (3500K to 1800K) (8) (18) (19) (20)  DWH Dynamic White (2700K to 6500K) (8) (19) (21) (22)  DWW Dynamic Warm White (2200K to 3000K) (8) (19) (21) (22)  DWWP Dynamic Warm White Plus (2200K to 3500K) (8) (19) (21) (22)	80 CRI 80+  90 CRI 90+  95 CRI 95+ (8)	XN Extra Narrow Spot Distribution 5° (8) (23)  VN Very Narrow Spot Distribution 10° (8) (24)  NS Narrow Spot Distribution 15° (25)  N Narrow Distribution 25° (24)  NR Narrow Reflector 25°  NFR 25° Faceted Reflector  M Medium 40°  MFR 40° Faceted Reflector  W Wide 60°  WFR 60° Faceted Reflector  VW 80° Reflector  VWFR 80° Faceted Reflector

Notes:

1. Refer to website product configurator for all exceptions.
2. Refer to website for ENERGY STAR certified product configurations.
3. IP55 rated, suitable for "Dead Front" shower rated locations.
4. Also suitable for IP54 applications. IP55 rated product can be used for interior ceiling mounted or exterior canopy-mounted applications. Consult factory and check all local codes and thermal conditions for proper specification.
5. Not available for 700 lumens. Not available for 1000 lumens when combined with 80 color rendering option.
6. Not available for XN and VN optics.
7. Not available for DTW, DTWP, DWH, DWW or DWWP color options.
8. Not available for ENERGY STAR certification.
9. Not available for CR90.
10. For ENERGY STAR certification, not available with RM or NC installation types when combined with 90 color rendering option.
11. For ENERGY STAR certification, not available with 90 color rendering option.
12. Available for NR, NFR, M, MFR, W, WFR, VW and VWFR optics only.
13. Not available with PC, IC, IC/AT or RMR installation types.
14. Available for RM and NC Installation Types only.
15. Available for CR90 only.
16. Available for CRI 80 only.
17. Compatible with all control options except for DALI8.
18. Available for 1000, 1300 and 2000 lumens when combined with 90 color rendering option and NR, NFR, M, MFR, W, WFR, VW or VWFR optics only.
19. NFR, MFR, WFR and VWFR faceted reflector optics are recommended for optimal performance.
20. Compatible with DAL1, ES, SDALI1, SDALI2, DMX/RDM and LT control options only.
21. Compatible with LT, DMX/RDM and DALI8 control options only.
22. Available for 1300 lumens when combined with 80 color rendering option and NR, NFR, M, MFR, W, WFR, VW or VWFR optics only.
23. Available for 700 lumens when combined with 80 or 90 color rendering options and 27K, 30K, 35K or 40K color temperature options only.
24. Available up to 1300 lumens when combined with 80 or 90 color rendering options and 27K, 30K, 35K or 40K color temperature options only.
25. Available up to 2000 lumens when combined with 80 color rendering option. Available up to 1300 lumens when combined with 90 or 95 color rendering options.
26. Available up to 2000 lumens when combined with 80, 90 or 95 color rendering options.

How to Order

Control <sup>(27)</sup>	Decorative Bezel	Decorative Bezel Finish	Installation Type	Ceiling Thickness <sup>(62)</sup>	Accessories <sup>(63)</sup>
<p><b>NO</b> On/Off Control <sup>(8)</sup> <sup>(28)</sup> <sup>(29)</sup></p> <p><b>NO3</b> On/Off Control 347V <sup>(5)</sup> <sup>(4)</sup> <sup>(8)</sup></p> <p><b>DAMC</b> Standard 0-10V Dimming 1% Linear Curve <sup>(7)</sup> <sup>(8)</sup> <sup>(29)</sup> <sup>(30)</sup> <sup>(31)</sup> <sup>(32)</sup></p> <p><b>DA1</b> Standard 0-10V Dimming 1% Linear Curve <sup>(29)</sup> <sup>(33)</sup></p> <p><b>DA2</b> Standard 1-10V Dimming 1% Logarithmic Curve <sup>(29)</sup> <sup>(33)</sup></p> <p><b>DA3</b> Standard 0-10V Dimming 1% Linear Curve (347V) <sup>(5)</sup> <sup>(6)</sup> <sup>(8)</sup></p> <p><b>PDA1</b> Professional 0-10V Dimming 0.1% Linear Curve <sup>(29)</sup> <sup>(33)</sup></p> <p><b>PDA2</b> Professional 0-10V Dimming 0.1% Logarithmic Curve <sup>(29)</sup> <sup>(33)</sup></p> <p><b>PH</b> Phase Dimming <sup>(34)</sup> <sup>(35)</sup></p> <p><b>PPH</b> Phase Dimming 1% <sup>(6)</sup> <sup>(7)</sup> <sup>(8)</sup> <sup>(32)</sup> <sup>(35)</sup> <sup>(36)</sup></p> <p><b>PHB</b> Pro Phase Dimming ERP PHB Series <sup>(7)</sup> <sup>(31)</sup> <sup>(37)</sup> <sup>(38)</sup> <sup>(39)</sup></p> <p><b>ES</b> Lutron® Hi-lume 1% EcoSystem® LDE1/PEQ1 Soft-on/Fade-to-Black <sup>(8)</sup> <sup>(29)</sup> <sup>(40)</sup> <sup>(41)</sup></p> <p><b>ESP</b> Lutron® Hi-lume Premier 0.1% EcoSystem® PEQ0 Soft-on/Fade-to-Black <sup>(8)</sup> <sup>(29)</sup> <sup>(42)</sup> <sup>(43)</sup></p> <p><b>CA</b> Lutron® Caséta dimming compatible (Lutron Hi-lume 1% 2-wire LTEA) (temporarily unavailable) <sup>(6)</sup> <sup>(53)</sup> <sup>(44)</sup> <sup>(45)</sup> <sup>(46)</sup></p> <p><b>VI</b> Lutron® Vive control enabled (Lutron VIVE FCJS-010) <sup>(8)</sup> <sup>(29)</sup> <sup>(47)</sup> <sup>(48)</sup></p> <p><b>NL</b> nLight® control enabled (nPS-80-EZ) <sup>(8)</sup> <sup>(29)</sup> <sup>(47)</sup> <sup>(48)</sup></p> <p><b>NLER</b> nLight® emergency control enabled (nPS-80-EZ-ER) <sup>(8)</sup> <sup>(29)</sup> <sup>(47)</sup> <sup>(48)</sup></p> <p><b>NL347</b> nLight® control enabled 347V (nPS-80-EZ-347) <sup>(6)</sup> <sup>(8)</sup> <sup>(37)</sup> <sup>(47)</sup> <sup>(48)</sup></p> <p><b>SDALI1</b> Standard DALI Dimming 1% Linear Curve <sup>(8)</sup> <sup>(29)</sup></p> <p><b>SDALI2</b> Standard DALI Dimming 1% Logarithmic Curve <sup>(8)</sup> <sup>(29)</sup></p> <p><b>DALI1</b> Professional DALI Dimming 0.1% Linear Curve <sup>(8)</sup> <sup>(29)</sup></p> <p><b>DALI2</b> Professional DALI Dimming 0.1% Logarithmic Curve <sup>(8)</sup> <sup>(29)</sup></p>	<p><b>DR</b> Deep Rollover</p>	<p><b>MWH</b> Matte White</p> <p><b>MBK</b> Matte Black <sup>(55)</sup> <sup>(56)</sup></p>	<p><b>RM</b> Remodel Non-Insulated Ceiling (Non-Plenum Rated) <sup>(57)</sup></p> <p><b>NC</b> New Construction Non-Insulated Ceiling (Non-Plenum Rated) <sup>(57)</sup></p> <p><b>PC</b> Plenum Non-Insulated Ceiling (Enclosed Box) <sup>(43)</sup> <sup>(58)</sup> <sup>(59)</sup> <sup>(60)</sup></p> <p><b>IC</b> New Construction Insulated Ceiling (Enclosed Box) <sup>(43)</sup> <sup>(58)</sup> <sup>(59)</sup> <sup>(60)</sup></p> <p><b>IC/AT</b> New Construction Insulated Ceiling (Chicago Plenum/airtight, enclosed box) <sup>(43)</sup> <sup>(58)</sup> <sup>(59)</sup> <sup>(60)</sup></p> <p><b>RMR</b> Remote Recessed Insulated Ceiling/Plenum (enclosed box) <sup>(43)</sup> <sup>(58)</sup> <sup>(59)</sup> <sup>(60)</sup> <sup>(61)</sup></p>	<p><b>1</b> 0.04 in to 1 in Ceiling Thickness</p> <p><b>2</b> 1.05 in to 2 in Ceiling Thickness</p>	<p><b>NA</b> No Accessory</p> <p><b>HL</b> Honeycomb Louver <sup>(8)</sup> <sup>(64)</sup></p> <p><b>SL</b> Softening Glass Lens <sup>(8)</sup></p> <p><b>PD</b> Prismatic Diffuser <sup>(65)</sup></p> <p><b>LSN</b> Linear Spread Lens Narrow (1° x 40°) <sup>(8)</sup> <sup>(66)</sup></p> <p><b>LSW</b> Linear Spread Lens Wide (1° x 60°) <sup>(8)</sup> <sup>(67)</sup></p> <p><b>BW1</b> Beam Widening Lens (+10°) <sup>(8)</sup></p> <p><b>BW2</b> Beam Widening Lens (+20°) <sup>(8)</sup></p> <p><b>BW3</b> Beam Widening Lens (+30°) <sup>(8)</sup></p>

<p><b>DALI2</b> DALI-2 T8 Enabled Dimming 1% (4) (8) (29) (49) (50)</p>				
<p><b>DMX/RDM</b> DMX/RDM Enabled Dimming 1% (8) (29) (51) (52) (53)</p>				
<p><b>LT</b> Lumentalk Enabled Dimming (8) (29) (54)</p>				

**Notes:**

- 5. Not available for 700 lumens. Not available for 1000 lumens when combined with 80 color rendering option.
- 6. Not available for XN and VN optics.
- 7. Not available for DTW, DTWP, DWH, DWW or DWWP color options.
- 8. Not available for ENERGY STAR certification.
- 27. Control options vary according to color temperature, color rendering, optics and installation type combination. Refer to website product configurator for details.
- 28. Manufacturer's choice driver. Order code may change to NO1.
- 29. Not available with 347V.
- 30. Manufacturer's choice driver. Order code may change to DAMC1 or DAMC2.
- 31. Not available for XN and VN optics.
- 32. Available up to 3000 lumens when combined with 80 color rendering option. Available up to 2000 lumens when combined with 90 or 95 color rendering options.
- 33. Driver cuts off power to the fixture when the control signal drops below 0.5V.
- 34. Manufacturer's choice driver. Order code may change to PH1 or PH2.
- 35. Available for 120V voltage option only.
- 36. Manufacturer's choice driver. Order code is subject to change.
- 37. Not available for 700 lumens.
- 38. Not available for N, NR, NFR, M, MFR, W, WFR, VW and VWFR optics when combined with 1000 lumens.
- 39. Not available for 5000 lumens when combined CR80.
- 40. One EcoSystem® address per fixture. Available for static white color temperature options and DTW, DTWP color options only.
- 41. Available for 3000 lumens and 4000 lumens only.
- 42. One EcoSystem® address per fixture. Lutron® EcoSystem® Enabled dimming not available for 1300 lumens combined with VN optic. Available for static white color temperatures only.
- 43. Not available for 3000 and 4000 lumens.
- 44. Consult factory for CA control option.
- 45. Not available for 700 and 1000 lumens.
- 46. Requires Caseta Wireless Dimmer PRO Wall Dimmer.
- 47. Available for RM, NC And RMR installation types only.
- 48. When used with RMR installation type, the installer is responsible for verifying the wireless distance limitations of the main controller to the remote driver installation.
- 49. Available for DWH, DWW and DWWP color options only. DALI-2 Type 8 controller required.
- 50. Not available for PC, IC or IC/AT installation types.
- 51. Configurable between 8 or 16-bit dimming control via RDM. DMX/RDM requires LumenID, LumenID software and onsite commissioning.
- 52. A Control Box (CBX-DS or CBX-ST) and LumenID (LID) must be specified.
- 53. Configurable to 1, 2, or 3 channel control via RDM in the field.
- 54. A Lumentranslator 2 (LTL2) and LumenID (LID) must be specified for Lumentalk applications. Consult Lumentranslator 2 and Lumentalk pages and specification sheets for details.
- 55. For ENERGY STAR certification, not available with RM or NC installation types.
- 56. For ENERGY STAR certification, not available with PC, IC or IC/AT installation types when combined with 90 color rendering option.
- 57. Available for 700 lumens when combined with XN optic and up to 1300 lumens when combined with VN. Available up to 2000 lumens when combined with NS and N optics. Available up to 4000 lumens when combined with NR, NFR, M, MFR, W, WFR, VW and VWFR optics. Refer to optic option notes for color rendering limitations.
- 58. Available for 700 lumens when combined with XN optic. Available up to 1300 lumens when combined with VN and NS optics. Available up to 2000 lumens when combined with N, NR, NFR, M, MFR, W, WFR, VW and VWFR optics. Refer to optic option notes for color rendering limitations.
- 59. Not available for 2000 lumens when combined with DTW and DTWP color options.
- 60. Not available for DWH, DWW or DWWP color options.
- 61. Remote distance is a maximum of 75 ft. For longer remote distances, please contact Lumenpulse Application Engineering Team for application validation.
- 62. Ceiling springs are field changeable, consult factory and installation instructions for details.
- 63. The silicone-sealed glass lens is always installed by the factory, not field changeable. Maximum one additional accessory per fixture.
- 64. Not available for DTW and DTWP color options.
- 65. For ENERGY STAR certification, not available with RM or NC installation types when combined with 90 color rendering option combined and 2000 lumens.
- 66. Recommended for XN, VN, NS, N, NR and NFR optics when combined with 2200K, 2700K, 3000K, 3500K, 4000K color temperature options. Nominal 10° x 40° distribution when used with the NS optic. Available for NFR optic when combined with DTW, DTWP, DWH, DWW or DWWP color options only.
- 67. Recommended for XN, VN, NS, N, NR and NFR optics when combined with 2200K, 2700K, 3000K, 3500K, 4000K color temperature options. Nominal 10° x 60° distribution when used with the NS optic. Available for NFR optic when combined with DTW, DTWP, DWH, DWW or DWWP color options only.