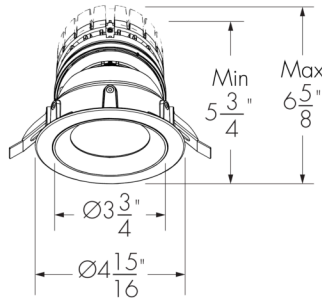
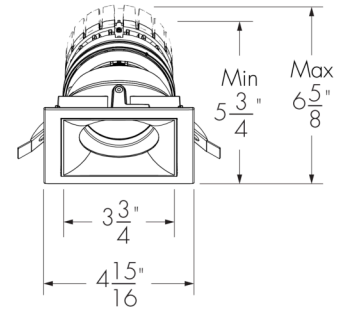


Project Name _____ Qty _____

Type _____ Catalog / Part Number _____



Round trim
(Shown with 1 in ceiling springs)
Round trim ceiling cutout: Ø4.5 in



Square trim
(Shown with 1 in in ceiling springs)
Square trim ceiling cutout: 4.5 in x 4.5 in

Photometric Summary

Based on Medium Faceted Reflector (nominal 40°), 4000K, CRI 90 0° Tilt

Nominal output [lm]	Delivered output [lm] ¹⁾	Non-insulated ceiling		Insulated ceiling	
		Power (120V) [W]	Efficacy [lm/W]	Power (120V) [W]	Efficacy [lm/W]
700	523	8.5	62	6.5	80
1000	698	10	70	8	87
1300	959	13	74	11	87
2000	1,482	20	74	18	82
3000	2,209	25	88	N/A	N/A
4000	2,907	33	88	N/A	N/A
5000	3,430	41	84	N/A	N/A

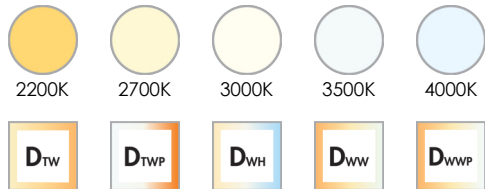
¹⁾ Consult website for latest IES files.

²⁾ Photometric performance is measured in compliance with IESNA LM-79-24.

Optics



Color and Color Temperature



Color Rendering

CRI 80+ CRI 90+ CRI 95+

Description

The Lumencore Recessed Small Adjustable is a high-performance LED downlight for ceiling applications that can be rotated from 0°-358° and tilted 0°-40°. Available in an array of trims and finishes, outputs (up to 4000lm), optics, color renderings, and accessories, these luminaires are here to outperform. The Lumencore Recessed Small Adjustable possesses a previously unseen lifespan, is quick to install, and can be used with a number of different control options.

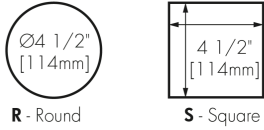
Physical

Cutout	R: Round, S: Square
Decorative Bezel	ADB: Adjustable (0°- 358° rotation, 0°-40° tilt)
Trim	RD: Round, TLR: Trimless Round, SQ: Square, SR: Square Trim with Round Hole, TLS: Trimless Square
Ceiling Thickness	1: 0.04 in to 1 in Ceiling Thickness 2: 1.05 in to 2 in Ceiling Thickness
Housing Material	Aluminum
TIR Optics Material	Clear polycarbonate
Reflector Material	Aluminum
Weight	3.4 lbs with RM installation type, 4.75 lbs with NC installation type, 10.8 lbs with PC, IC, IC/AT and RMR installation types (Weights are approximate based on the heaviest fixture configuration)
	Please consult factory if exact fixture weight is needed

Controls



Ceiling Cutout Shapes



Decorative Bezel (Round Trim)



ADB - Adjustable

Decorative Bezel (Square Rim)

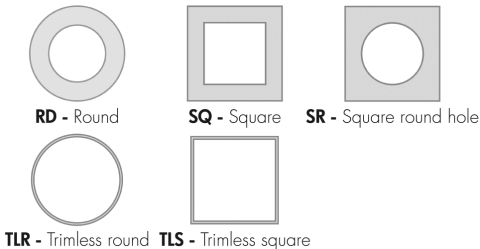


ADB - Adjustable

Standard Finishes - Decorative Bezels



Trim Shapes



Ceiling Space Requirements (Length x Width x Height)

Up to 18 in x 18 in x 8 in with RM and NC installation types,
Up to 18 in x 15 in x 9 in with PC/IC/ICAT/RMR installation types
Dimensions will vary by output and color rendering, refer to Ceiling Requirements table for details

Features

Output (Nominal Lumens) L07: 700 lm, L10: 1000 lm, L13: 1300 lm, L20: 2000 lm, L30: 3000 lm, L40: 4000 lm, L50: 5000 lm

Color and Color Temperature
 22K: 2200K
 27K: 2700K
 30K: 3000K
 35K: 3500K
 40K: 4000K
 DTW: Dim to Warm
 DTWP: Dim to Warm Plus
 DWH: Dynamic White
 DWW: Dynamic Warm White
 DWWP: Dynamic Warm White Plus

Optics (Nominal Distribution)
 XN: Extra Narrow Spot Distribution 5°
 VN: Very Narrow Spot Distribution 10°
 NS: Narrow Spot Distribution 15°
 N: Narrow Distribution 25°
 NR: Narrow Reflector 25°
 NFR: Narrow Faceted Reflector 25°
 M: Medium 40°
 MFR: Medium Faceted Reflector 40°

Decorative Bezel Finish
 MWH: Matte White
 MBK: Matte Black
 MSI: Matte Silver
 NKS: Nickel Satin
 DCH: Dark Chrome
 BCH: Bright Chrome
 SWT: Satin Wheat
 CC: Custom Color Trim (Specify 4-Digit RAL K7 Color)
 SP: Special Color (Choose From standard Point Source Color Palette)

Trim Finish
 MWH: Matte White
 MBK: Matte Black
 MSI: Matte Silver
 NKS: Nickel Satin
 CC: Custom Color Trim (Specify 4-Digit RAL K7 Color)
 SP: Special Color (Choose From standard Point Source Color Palette)

Installation Type
 RM: Remodel Non-Insulated Ceiling (Non-Plenum Rated)
 NC: New Construction Non-Insulated Ceiling (Non-Plenum Rated)
 PC: Plenum Non-Insulated Ceiling (Enclosed Box)
 IC: New Construction Insulated Ceiling (Enclosed Box)
 IC/AT: New Construction Insulated Ceiling (Chicago Plenum/airtight, enclosed box)
 RMR: Remote Recessed Insulated Ceiling/Plenum (enclosed box)

Standard Finishes for Trim



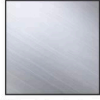
MWH - Matte white



MBK - Matte black



MSI - Matte Silver



NKS - Nickel satin



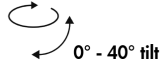
CC - Custom color and finish (specify 4-digit RAL K7 color)



SP - Special color (choose from standard Point Source color palette)

Adjustability

0° - 358° rotation



ADB - Adjustable decorative bezel

Options



Emergency battery backup

Rating

IP20

Certifications



Option

EBB: Emergency Battery Backup with Hanger Bar (Bodine BSL17C-C2)
EBI: Emergency Battery Backup with Hanger Bar (Iota ILB-CP07-A TBTS)

Certifications

UL compliant, RoHS

Warranty

5-year limited warranty

Electrical and Control

Voltage

120: 120 Volts, **277:** 277 Volts, **347:** 347 Volts

Wattage Range

8.5W to 42W (wattage will vary based on voltage, output, color temperature, color rendering, optic, control and installation type, refer to Power Consumption table for details)

Control

NO: On/Off Control
NO3: On/Off Control 347V
DAMC: Standard 0-10V Dimming 1% Linear Curve
DA1: Standard 0-10V Dimming 1% Linear Curve
DA2: Standard 1-10V Dimming 1% Logarithmic Curve
DA3: Standard 0-10V Dimming 1% Linear Curve (347V)
PDA1: Professional 0-10V Dimming 0.1% Linear Curve
PDA2: Professional 0-10V Dimming 0.1% Logarithmic Curve
PH: Phase Dimming
PPH: Phase Dimming 1%
PHB: Pro Phase Dimming ERP PHB Series
ES: Lutron® Hi-lume 1% EcoSystem® LDE1/PEQ1 Soft-on/Fade-to-Black
ESP: Lutron® Hi-lume Premier 0.1% EcoSystem® PEQ0 Soft-on/Fade-to-Black
CA: Lutron® Caséta dimming compatible (Lutron Hi-lume 1% 2-wire LTEA) (temporarily unavailable)
VI: Lutron® Vive control enabled (Lutron VIVE FCJS-010)
NL: nLight® control enabled (nPS-80-EZ)
NLER: nLight® emergency control enabled (nPS-80-EZ-ER)
NL347: nLight® control enabled 347V (nPS-80-EZ-347)
SDALI1: Standard DALI Dimming 1% Linear Curve
SDALI2: Standard DALI Dimming 1% Logarithmic Curve
DALI1: Professional DALI Dimming 0.1% Linear Curve
DALI2: Professional DALI Dimming 0.1% Logarithmic Curve
DALIT8: DALI-2 T8 Enabled Dimming 1%
DMX/RDM: DMX/RDM Enabled Dimming 1%
LT: Lumentalk Enabled Dimming

Performance

Maximum Delivered Output

Up to 3,492 lm (Narrow Faceted Reflector optic 25°, 4000K, CRI 90, 0° tilt)

Maximum Delivered Intensity

Up to 37,762 cd (Extra Narrow Spot optic 5°, 4000K, CRI 80, 0° tilt)

Color Consistency

2 SDCM, 3 SDCM (XN optic only)

Color Rendering

80: CRI 80+, **90:** CRI 90+, **95:** CRI 95+

Lumen Maintenance

L95 55,000 hrs (Ta 25 °C)
 L70 225,000 hrs (Ta 25 °C)

Environmental

Ingress Protection Rating	IP20
Environment	Damp location rating (interior applications only)
Operating Temperature (Ceiling Cavity Ambient Temperature)	-4 °F to 104 °F (DA1, DA2, DA3, PDA1, PDA2, SDALI1, SDALI2, DALI1, DALI2, DALI8, LT, DMX/RDM, PH and PPH control options), 14 °F to 104 °F (NO, NL, NLER, NL347 control options), 32 °F to 104 °F (NO3, VI, PPH2, ES, ESP and CA control options and EBB and EBI options)

Accessories (Order Separately)

Control Systems	Pharos® Designer Lighting Control Kit (PHAROS), Pharos® Expert Control Kit (EXPERT)
Diagnostic and Addressing Tools	LumenID (LID)

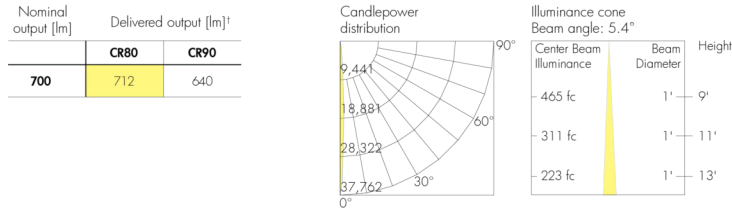
Important

Virtual Patent Marking Notice

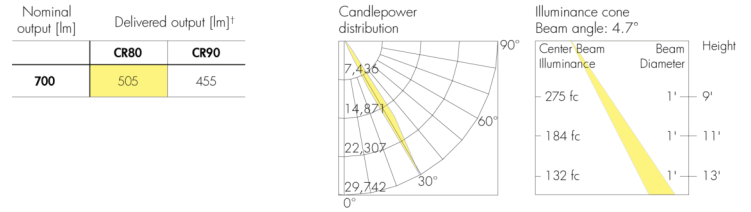
This website (<https://www.lmpg.com/patents-trademarks>) is provided to satisfy the virtual patent marking provisions of applicable jurisdictions. Some products listed may be covered by additional patents not referenced here.

Photometric Information

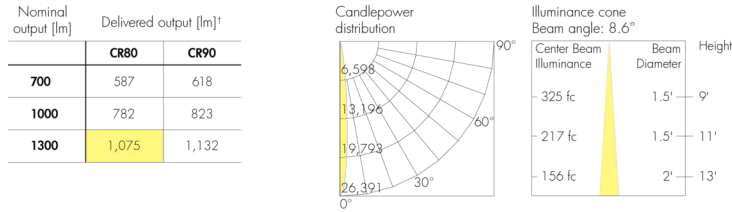
XN - Extra Narrow Spot (Nominal 5°), 4000K, 0° Tilt



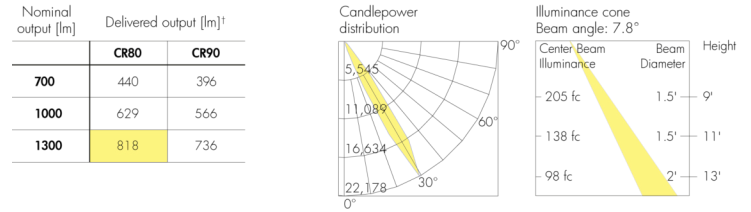
XN - Extra Narrow Spot (Nominal 5°), 4000K, 30° Tilt*



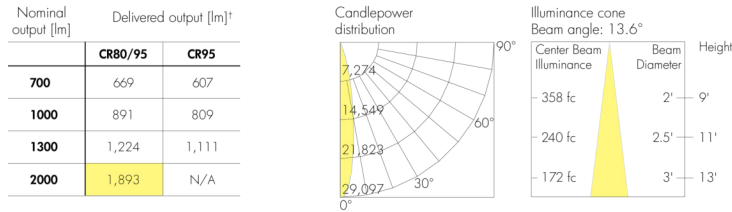
VN - Very Narrow Spot (Nominal 10°), 4000K, 0° Tilt



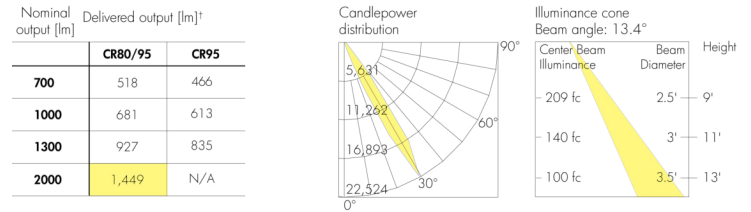
VN - Very Narrow Spot (Nominal 10°), 4000K, 30° Tilt*



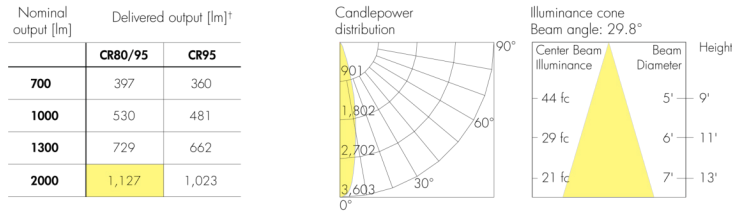
NS - Narrow Spot (Nominal 15°), 4000K, 0° Tilt



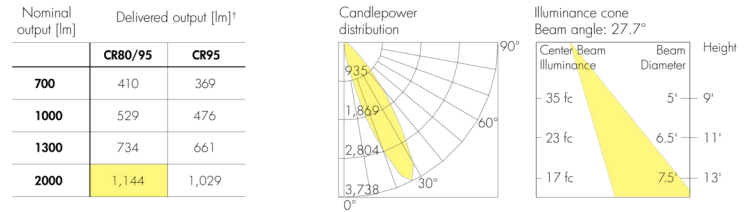
NS - Narrow Spot (Nominal 15°), 4000K, 30° Tilt*



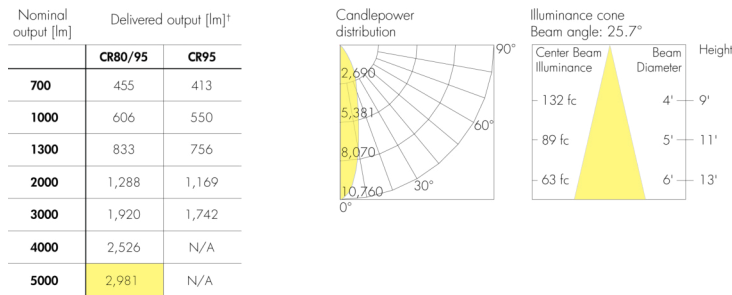
N - Narrow (Nominal 25°), 4000K, 0° Tilt



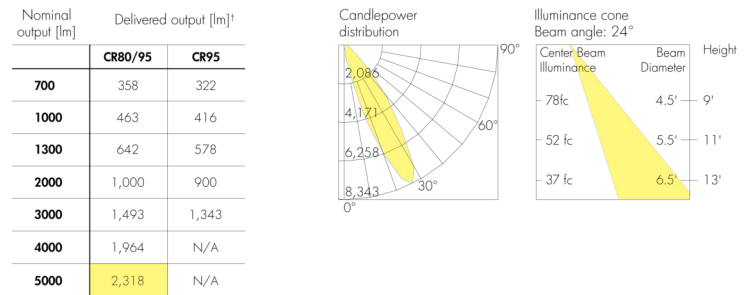
N - Narrow (Nominal 25°), 4000K, 30° Tilt*



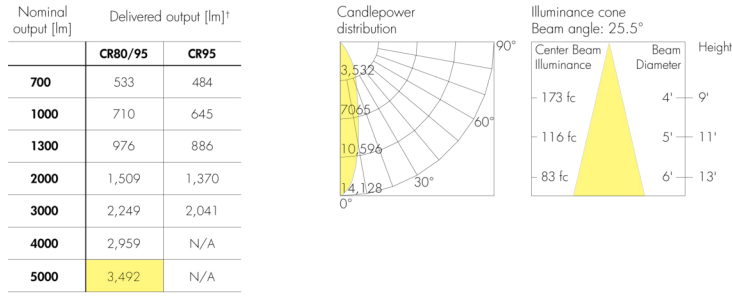
NR - Narrow Reflector (Nominal 25°), 4000K, 0° Tilt



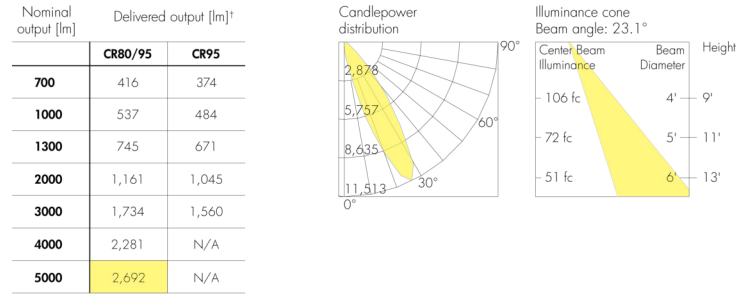
NR - Narrow Reflector (Nominal 25°), 4000K, 30° Tilt*



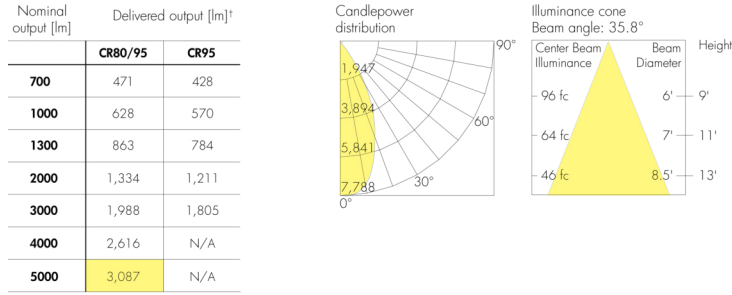
NFR - Narrow Faceted Reflector (Nominal 25°), 4000K, 0° Tilt



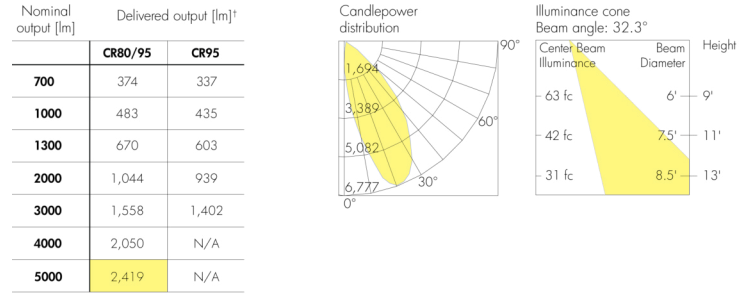
NFR - Narrow Faceted Reflector (Nominal 25°), 4000K, 30° Tilt*



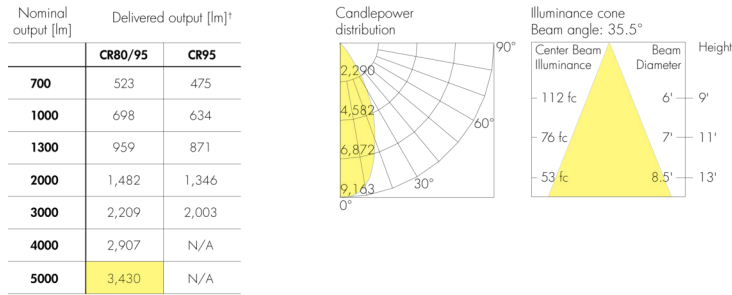
M - Medium (Nominal 40°), 4000K, 0° Tilt



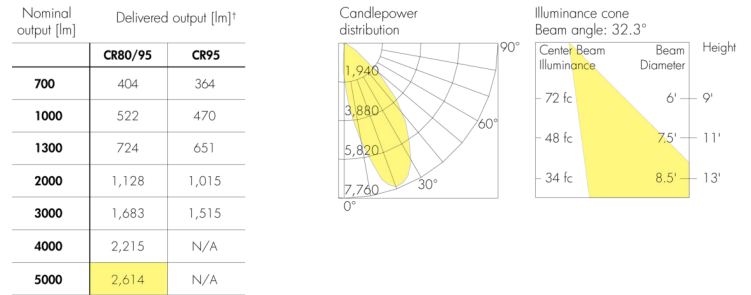
M - Medium Reflector (Nominal 40°), 4000K, 30° Tilt*



MFR - Medium Faceted Reflector (Nominal 40°), 4000K, 0° Tilt



MFR - Medium Faceted Reflector (Nominal 40°), 4000K, 30° Tilt*



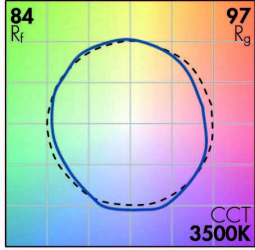
*Based on Adjustable Bezel (set at 30°) and Round or Square trim configuration. The full tilt range of the fixture is 0°-40°.

† Consult website for IES files. Delivered output: +/- 10% tolerance.
Consult Power consumption section for more wattage information.

TM-30

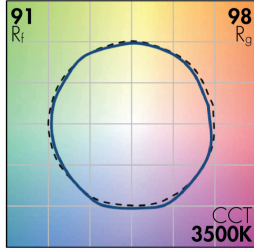
CRI 80+

CRI 80 +				
CCT	CIE		TM-30	
3500K	R _a	84	84	R _f
	R _g	15	97	R _g



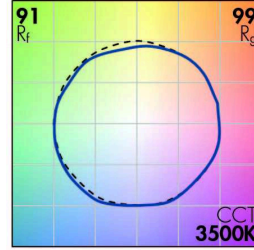
CRI 90+

CRI 90 +				
CCT	CIE		TM-30	
3500K	R _a	94	91	R _f
	R _g	55	98	R _g



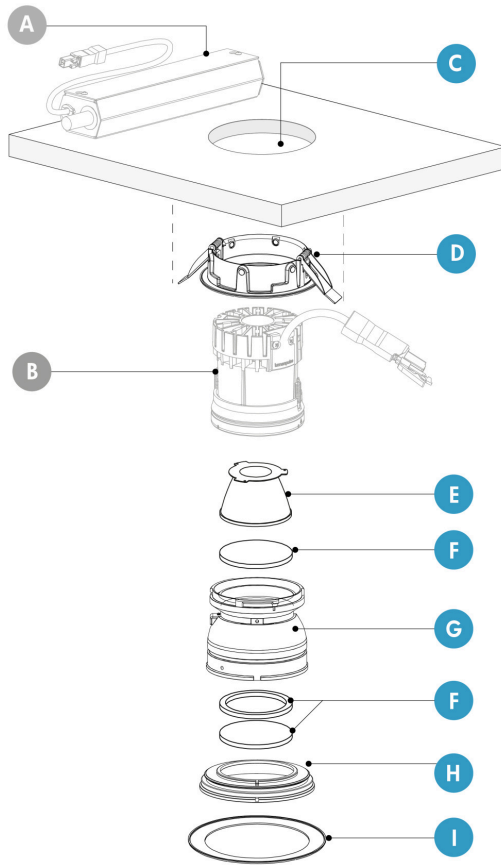
CRI 95+

CRI 95 +				
CCT	CIE		TM-30	
3500K	R _a	97	91	R _f
	R _g	97	99	R _g



Refer to TM-30 Reference Guide for details.

Exploded Overview - Part Selection



Standard Parts

- A - MTG Mounting kit
- B - LUM Core (heatsink, universal fixing ring, LED module)
- MTG: Mounting Kit
- LUM: Luminaire

Customizable Parts

- C - Ceiling cutout shape (round or square)
- D - Ceiling mounting ring (round or square, based on ceiling cutout selection)
- E - Optic*
- F - Optical accessory and accessory holder (up to two optical accessories can be combined in the fixture, position will vary by accessory type)**
- G - Adjustable mechanism
- H - Adjustable decorative bezel
- I - Trim (round or square, based on ceiling ring selection)

*Optic is field changeable. Consult Interchangeable Optics section of the specification sheet for details.

**Field changeable, consult installation instructions for details. Consult factory for ordering details.

Ceiling Requirements

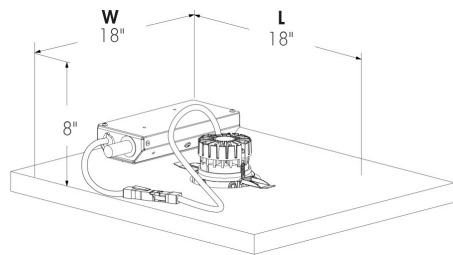
Ceiling Cavity Space Requirements (Length x Width x Height)

Installation type	Output/Color Rendering								
	L07	L10	L13	L20		L30		L40	L50
	CR80/90/95		CR80/CR90	CR95	CR80/CR90	CR95	CR80/CR90	CR90	
RM	11"x 11"x 7"			12"x 12"x 7"		18"x 18"x 8"			
NC	14"x 11"x 7"			14"x 11"x 7"		18"x 18"x 8"			
PC/IC/ICAT/RMR	14.5"x 10"x 7"		18"x 15"x 9"		N/A		N/A		

See Installation Type section for dimensional view of keep out and/or MTG mounting kit option. Above dimensions include any keep out requirements for proper airflow and thermal cooling.

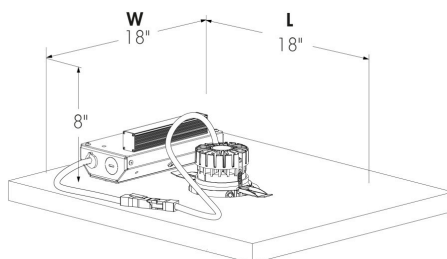
Installation Types

RM: Remodel Non-Insulated Ceiling (Non-Plenum Rated) (NO, PH, ES and ESP Controls Only)



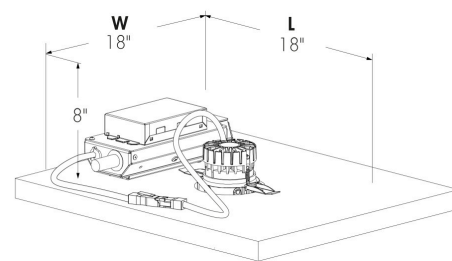
L30 CR90/95, L40 CR80/90 and L50 CR90 shown.

RM: Remodel Non-Insulated Ceiling (Non-Plenum Rated) (DALI8, DMX/RDM and LT Control Options Only)



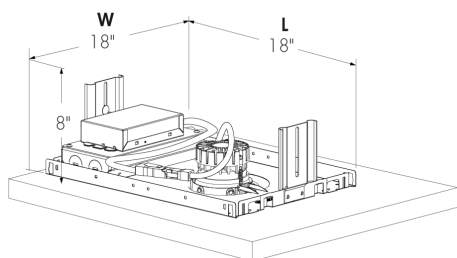
L30 CR90/95, L40 CR80/90 and L50 CR90 shown.

RM: Remodel Non-Insulated Ceiling (Non-Plenum Rated) (Other Controls)



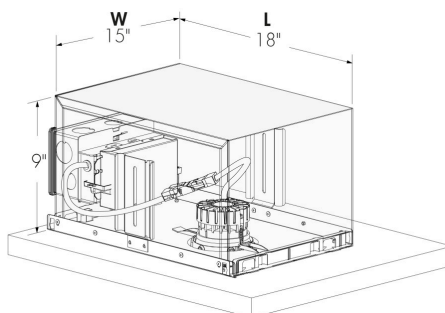
L30 CR90/95, L40 CR80/90 and L50 CR90 shown.

NC: New Construction Non-Insulated Ceiling (Non-Plenum Rated)



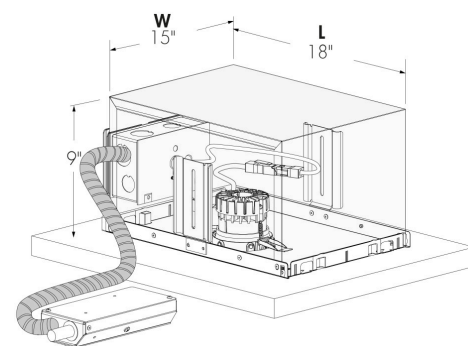
L30 CR90/95, L40 CR80/90 and L50 CR90 shown.

IC, PC, IC/AT: New Construction Insulated and Non-Insulated Ceiling (Enclosed Box)



L30 CR90/95, L40 CR80/90 and L50 CR90 shown.

RMR: Remote Recessed Insulated Ceiling/Plenum (Enclosed Box)



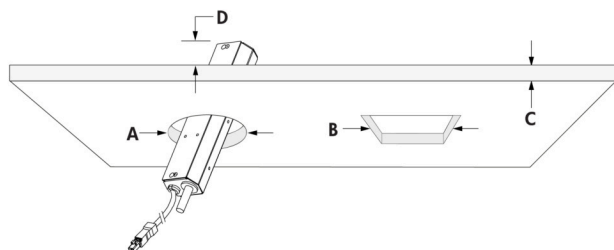
Luminaire ceiling cavity space requirements for L13 CR80/90/95 and L20 CR80/90/95 shown. Refer to remote driver box dimensions in installation instructions for space required for driver.

Remote distance is a maximum of 75 ft, consult Lumenpulse Application Engineering Team for longer remote distances.

Fixture shown for reference only. Refer to Ceiling Requirements section and installation instructions for dimensions and ceiling cutout requirements.

Ceiling Requirements

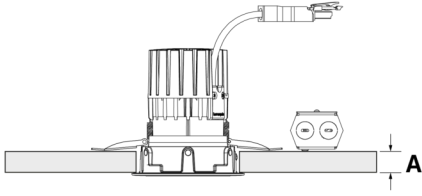
Ceiling Cutout



- A - Ceiling cutout: Ø4.5 in
- B - Ceiling cutout: 4.5 in x 4.5 in
- C - Maximum ceiling thickness: 2 in
- D - Minimum ceiling height: refer to Ceiling Cavity Space Requirements table

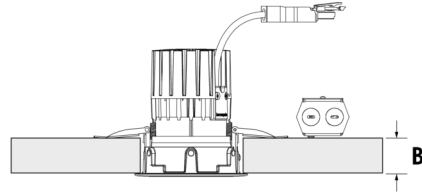
Ceiling Thickness Options

Ceiling Thickness 1



A - Ceiling thickness range: 0.04 in to 1 in

Ceiling Thickness 2

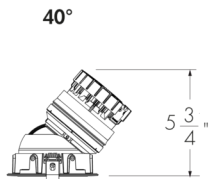
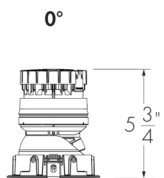


B - Ceiling thickness range: 1.05 in to 2 in

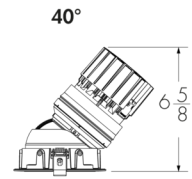
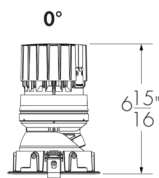
Ceiling springs are field changeable, consult installation instructions and factory for details.

Dimensions

Adjustability L07, L10, L13, L20 (CR80/90/95), L30 (CR80)

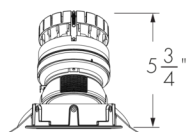


Adjustability L30 (CR90, CR95), L40 (CR80)



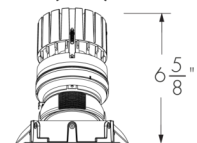
ADB - Adjustable (0°- 358° Rotation, 0°-40° Tilt)

L07, L10, L13, L20 (CR80/90/95) L30 (CR80)



Front view

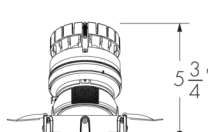
L30 (CR90, CR95), L40 CR80/CR90 L50 (CR90)



Front view

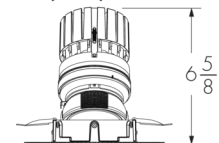
ADB - Adjustable (0°-358° Rotation, 0°-40° Tilt, Trimless Version)

L07, L10, L13, L20 (CR80/90/95) L30 (CR80)



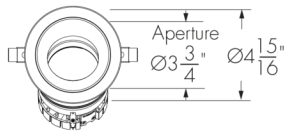
Front view

L30 (CR90, CR95), L40 CR80/CR90 L50 (CR90)



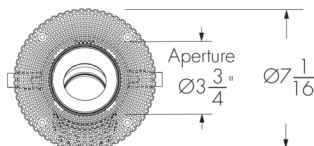
Front view

RD - Round Shape, Round Trim



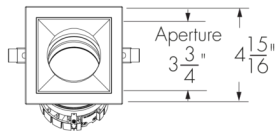
Bottom view

TLR - Trimless Round



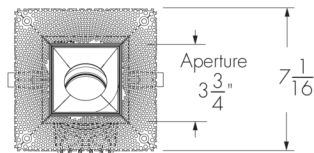
Bottom view

SQ - Square Shape, Square Trim



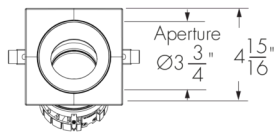
Bottom view

TLS - Trimless Square



Bottom view

SR - Square Shape, Round Hole



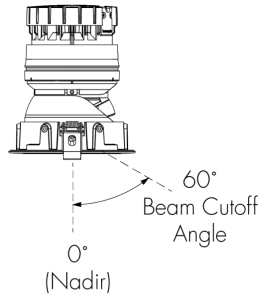
Bottom view

Round ceiling cutout: Ø4.5 in

Square ceiling cutout: 4.5 in x 4.5 in

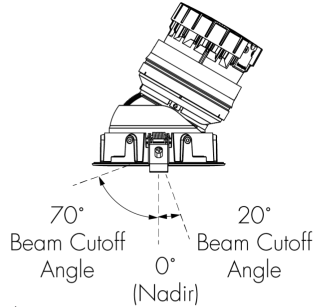
Beam Cutoff Angle

ADB - Adjustable (0° Tilt)



Side view
(Based on 0° tilt)

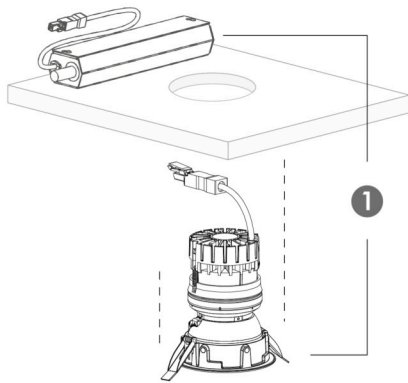
ADB - Adjustable (40° Tilt)



Side view
(Based on 40° max tilt)

Delivery - How it Works

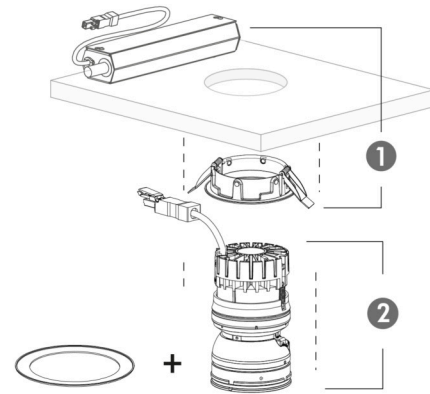
Standard Shipping (1 delivery)



Included

- 1. MTG Mounting kit and complete fixture assembly

Advanced Shipping of Mounting kit (2 Separate Deliveries)



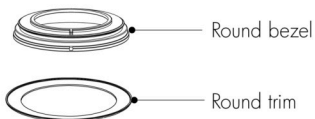
Included

- 1. Optional advanced delivery: MTG Mounting kit and ceiling mounting ring
- 2. Second delivery: LUM Core (heatsink, universal fixing ring, LED module, optic, accessories, adjustable bezel) and trim

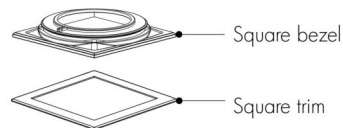
Consult factory for Advanced Shipping details.

Ceiling Cutout Shape Options

RD - Round Ceiling Cutout



SQ - Square Ceiling Cutout



Decorative Bezel Options

RD - Compatible Round Decorative Bezels



ADB - Adjustable

SQ - Compatible Square Decorative Bezels



ADB - Adjustable

Standard Finishes - Decorative Bezels



MWH - Matte white



MBK - Matte black



MSI - Matte silver



NKS - Nickel satin



DCH - Dark chrome



BCH - Bright chrome



SWT - Satin wheat



CC - Custom colour*



SP - Special colour**

*Custom color: specify 4-digit RAL K7 color.

**Special color: choose one of the standard Point Source colors from the Point Source product brochure or Lumencore Cylinder specification sheets. Contact manufacturer for additional information.

Trim Shape Options

RD - Compatible Round Trim Shapes



RD - Round



SR - Square trim with round hole



TLR - Trimless round

SQ - Compatible Square Trim Shapes



SQ - Square



TLS - Trimless Square

Standard Finishes - Trims



MWH - Matte white



MBK - Matte black



MSI - Matte silver



NKS - Nickel satin



CC - Custom colour*



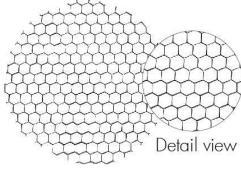
SP - Special colour**

*Custom color: specify 4-digit RAL K7 color.

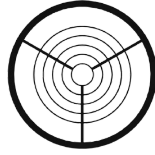
**Special color: choose one of the standard Point Source colors from the Point Source product brochure or Lumencore Cylinder specification sheets. Contact manufacturer for additional information.

Optical Accessories

HL - Honeycomb Louver



XLVR - Concentric Ring Louver



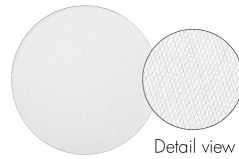
CL - Clear Glass Lens



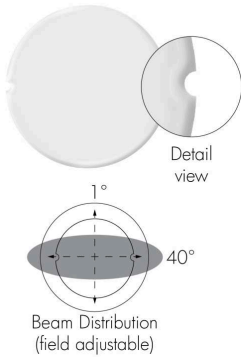
SL - Softening Glass Lens



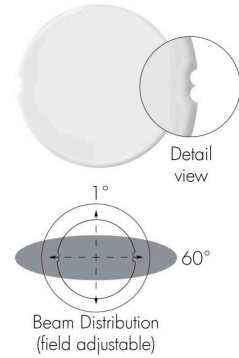
PD - Prismatic Diffuser



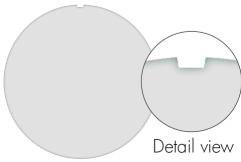
LSN - Linear Spread Lens Narrow (1° x 40°)



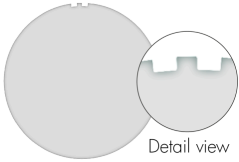
LSW - Linear Spread Lens Wide (1° x 60°)



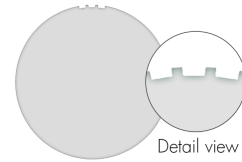
BW1 - Beam Widening Lens (+10°)



BW2 - Beam Widening Lens (+20°)



BW3 - Beam widening lens (+30°)

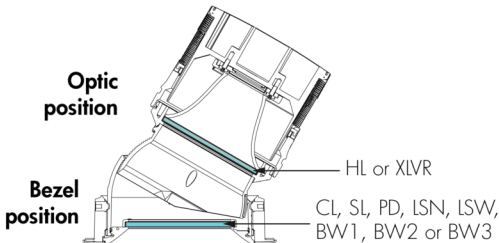


Refer to Beam Widening Lens table for beam distribution based on optic installed in the fixture.

Refer to Beam Widening Lens table for beam distribution based on optic installed in the fixture.

Refer to Beam Widening Lens table for beam distribution based on optic installed in the fixture.

Optical Accessories - Installation Options (Field Changeable)



Accessories specified in the fixture code will ship from the factory in the position shown above.

Optics

TIR Optic - Total Internal Reflection



Applicable to XN (5°), VN (10°), NS (15°) and N (25°) distributions.

Semi-Specular Reflector



Applicable to NR (25°) and M (40°) distributions.

Faceted Reflector



Applicable to NFR (25°) and MFR (40°) distributions.

Beam Widening Lenses

	Optic installed in fixture							
	XN 5°	VN 10°	NS 15°	N 25°	NR 25°	NFR 25°	M 40°	MFR 40°
BW1	11°	13°	17°	30°	30°	30°	41°	41°
BW2	21°	22°	24°	34°	34°	34°	45°	45°
BW3	30°	31°	33°	41°	41°	41°	50°	50°

The above beam angles are nominal beam angles.

Variations in beam angles can be seen due to different LES sizes. For exact beam calculations please consult factory.

Beam widening lenses should not be used with other accessories with the nominal results above.

Interchangeable Optics

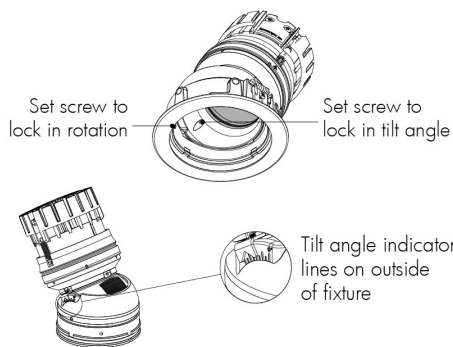
	Optic installed in fixture							
	XN 5°	VN 10°	NS 15°	N 25°	NR 25°	NFR 25°	M 40°	MFR 40°
Interchangeable optics	N/A	N/A	N/A	NR NFR M MFR	N NFR M MFR	N NR M MFR	N NR NFR MFR	N NR NFR M

The optic options listed above are field changeable. Consult factory and installation instructions for details.

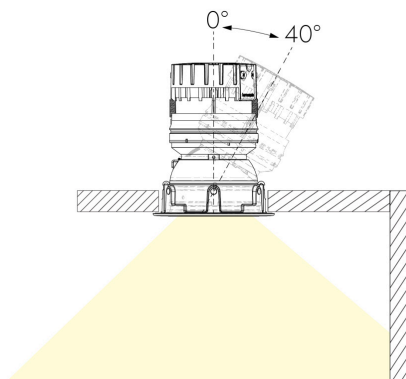
* Consult the Lumencore Recessed Small Wallwash specification sheet for details.

Adjustability

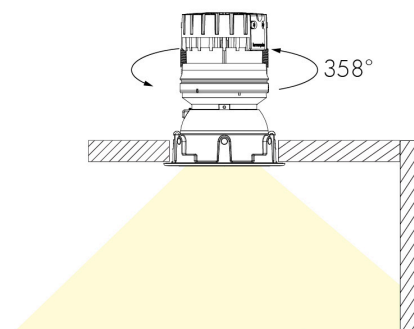
Pre-Set and Lock the Angle



0° to 40° Tilt Adjustment



358° Rotation



Refer to installation instructions for details.

Power Consumption

Static White Color Temperatures

Output [lm]	Power consumption [W]									
	XN (5°) - VN (10°)		NS (15°)				N (25°) - NR (25°) - NFR (25°) - M (40°) - MFR (40°)			
	120 V	277 V	120 V		277 V		120 V		277 V	
	CR80/90		CR80/90	CR95	CR80/90	CR95	CR80/90	CR95	CR80/90	CR95
700	13	15	9.5	10	10.5	12	8.5	9	9.5	11
1000	17*	18*	13	14.5	14	16	10	13	12	15
1300	23*	24*	15	20	16	21	13	15	15	16
2000	N/A	N/A	23	N/A	24	N/A	20	23	21	24
3000	N/A	N/A	N/A	N/A	N/A	N/A	25**	42**	26**	42**
4000	N/A	N/A	N/A	N/A	N/A	N/A	33**	N/A	34**	N/A
5000	N/A	N/A	N/A	N/A	N/A	N/A	41**	N/A	41**	N/A

*Not applicable to XN optic.

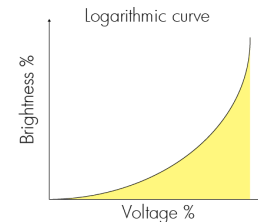
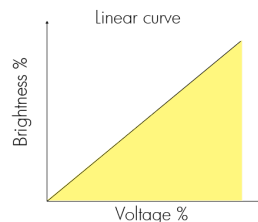
**Not applicable to N optic.

Dynamic Colors

Output [lm]	Power consumption [W]			
	NR (25°) - NFR (25°) - M (40°) - MFR (40°)			
	120 V		277 V	
	DTW - DTWP	DWW - DWH - DWWP	DTW - DTWP	DWW - DWH - DWWP
1000	14	N/A	15	N/A
1300	17	26	18	26
2000	27	N/A	28	N/A

- Power consumption values are for non-insulated ceiling (RM and NC) and remote recessed insulated ceiling/plenum (RMR) installation types. For plenum ceiling (PC), and new construction insulated ceiling (IC and IC/AT) installation types, remove 2 watts per fixture.
- Add 3 watts per fixture when specifying LT control option.
- Add 2 watts per fixture when specifying DMX/RDM control option.
- Add 1.5 watts per fixture when specifying PPH2, CA, NL, NLER or NL347 control option.
- Add 1 watt per fixture when specifying VI control option.
- Add 3 watts per fixture when specifying 347V.

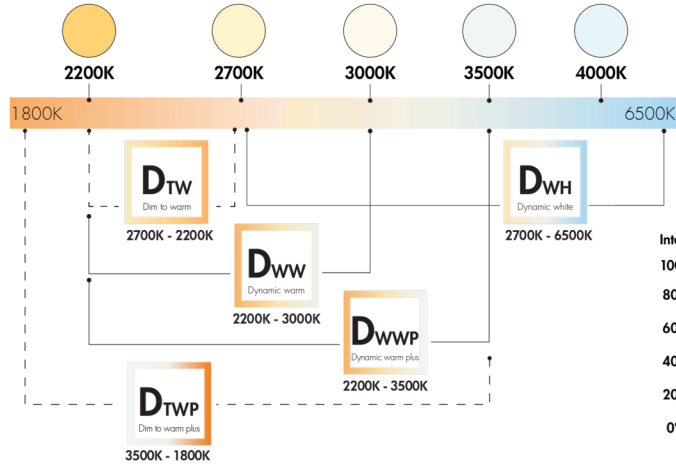
Control



Dimming	Control options with linear dimming curve	Control options with logarithmic dimming curve
Dimming down to 0.1%	PDA1 ESP DALI1	PDA2 DALI2 DALI8
Dimming down to 1%	DA1 DA3 DAMC PPH PHB ES SDALI1	DA2 SDALI2 DALI8

Color and Color Temperature

Color Temperature Ranges

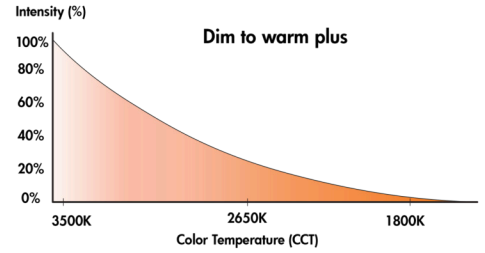
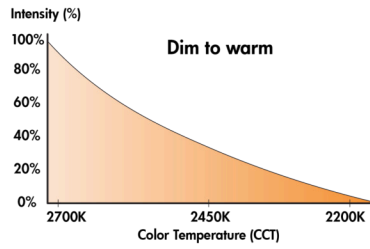


--- 1 channel (DTW, DTWP) Compatible with: DA1 ES SDALI1 SDALI2 DMXrdm lumen talk

— 2 channels* (DWH, DWW, DWWP) Compatible with: DALI8 DMXrdm lumen talk

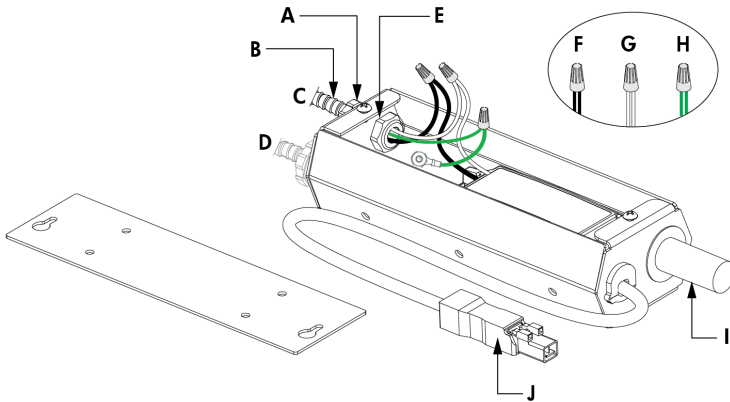
— 3 channels (DWH, DWW, DWWP) Compatible with: DALI8 DMXrdm lumen talk

*Can be changed in the field via RDM & IT for individual CCT control.



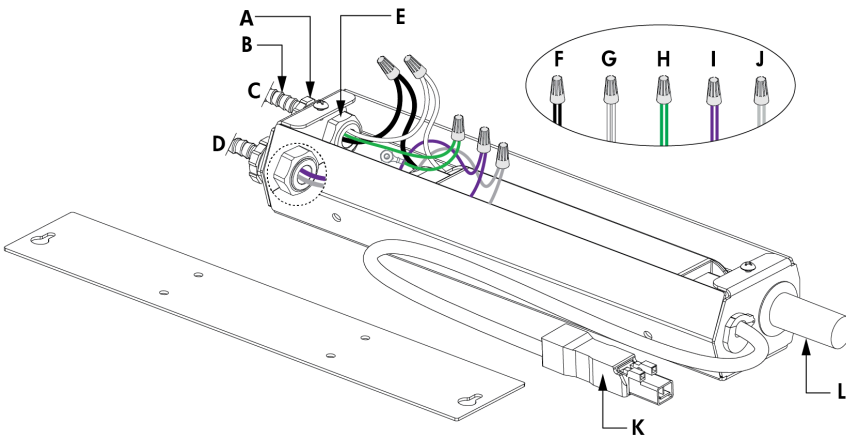
Wiring Details RM: Remodel Non-Insulated Ceiling (Non-Plenum Rated)

NO And PH Controls - Wiring Detail



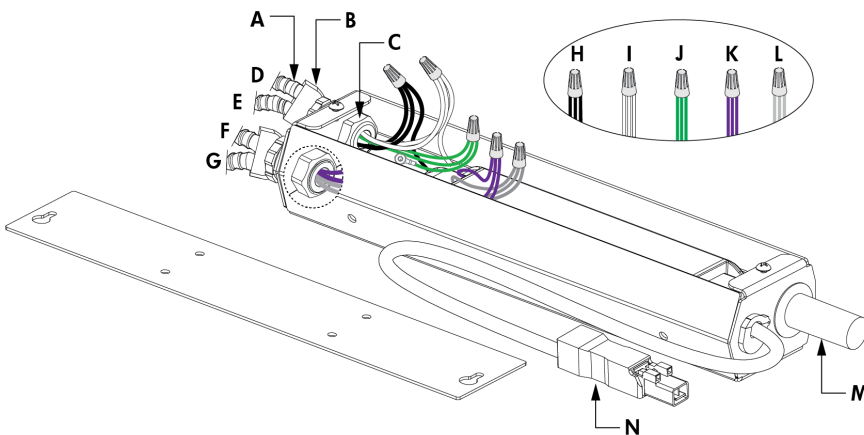
- A - Conduit fitting (by others)
- B - Conduit (by others)
- C - Power Input
- D - Optional Output
- E - Locknut (by others)
- F - Line
- G - Neutral
- H - Ground
- I - Thermal protector
- J - Output to luminaire

Other Controls - Wiring Detail



- A - Conduit fitting (by others)
- B - Conduit (by others)
- C - Power Input
- D - Data Input from Control System
- E - Locknut (by others)
- F - Line
- G - Neutral
- H - Ground
- I - Data +
- J - Data -
- K - Output to luminaire
- L - Thermal protector

Other Controls - Daisy Chain Layout Wiring Detail

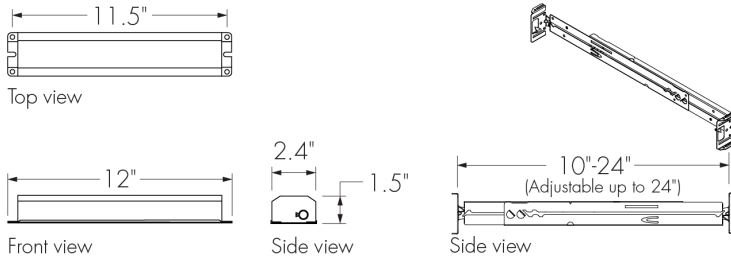


- A - Conduit (by others)
- B - Duplex connector (by others)
- C - Locknut (by others)
- D - Power Output to next luminaire
- E - Power input
- F - Data Output to next luminaire
- G - Data Input from Control System
- H - Line
- I - Neutral
- J - Ground
- K - Data +
- L - Data -
- M - Thermal protector
- N - Output to luminaire

Remodel driver box varies by control option. Refer to installation instructions for additional wiring details.

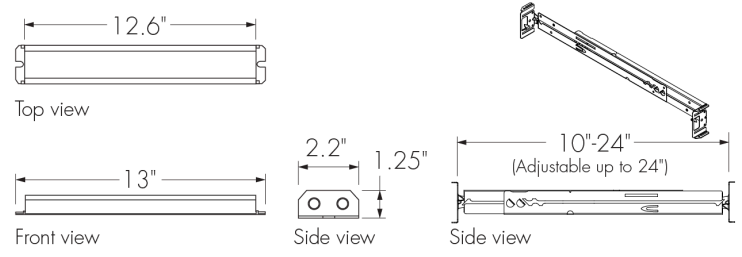
Options

EBB - Emergency Battery Backup With Hanger Bar (Bodine BSL17C-C2)



Hardware to mount the battery backup to the hanger bar is included. A test button is included. The unit comes pre-wired with 2 ft flexible conduit in and out. Refer to installation instructions for details.

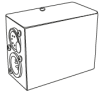
EBI - Emergency Battery Backup With Hanger Bar (Iota ILB-CP07-A TBTS)



Hardware to mount the battery backup to the hanger bar is included. A test button is included. The unit comes pre-wired with 2 ft flexible conduit in and out. Refer to installation instructions for details.

Diagnostic And Addressing Tools (Order Separately)

LID - LumenID



The updated LumenID (LID) is an all-in-one diagnostic and addressing solution for both DMX/RDM and Lumentalk (LT) systems. Engineered for versatility, it streamlines commissioning and troubleshooting across protocols—no need for multiple tools. Cable option may vary; please consult factory. For complete details, refer to the LID specification sheet.

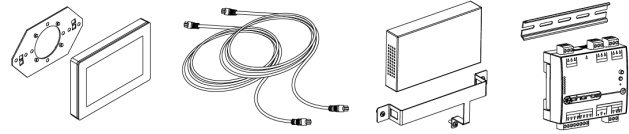
Control Systems (Order Separately)

PHAROS - Pharos® Designer Lighting Control Kit



The Pharos Designer Lighting Control Kit, available for 1 or 2 DMX universes, allows for complete control of large lighting installations.

EXPERT - Pharos® Expert Control Kit



The Pharos Expert Control Kit, available for 1, 2, 4 or 6 DMX universes, allows for complete control of large lighting installations.

How to Order

Housing (1)	EZ Ship	Certification	Type	Voltage	Cutout	Output (Nominal Lumens)	Color and Color Temperature	Color Rendering	Optics (Nominal Distribution)
LCRS Lumencore Recessed Small - 4 in	EZ Ship (2)	A UL/cUL	AD Adjustable	120 120 Volts	R Round	L07 700 lm	22K 2200K (10) (13)	80 CRI 80+	XN Extra Narrow Spot Distribution 5° (19) VN Very Narrow Spot Distribution 10° (20) NS Narrow Spot Distribution 15° (21) N Narrow Distribution 25° (22) NR Narrow Reflector 25° NFR 25° Faceted Reflector M Medium 40° MFR 40° Faceted Reflector
				277 277 Volts	S Square	L10 1000 lm	27K 2700K (13)	90 CRI 90+	
				347 347 Volts (3) (4) (5) (6)		L13 1300 lm	30K 3000K (13)	95 CRI 95+	
						L20 2000 lm	35K 3500K (13)		
						L30 3000 lm (7) (8)	40K 4000K (13)		
						L40 4000 lm (8) (9) (10)	DTW Dim to Warm (2700K to 2200K) (14) (15) (16)		
						L50 5000 lm (9) (11) (12)	DTWP Dim to Warm Plus (3500K to 1800K) (14) (15) (16)		
							DWH Dynamic White (2700K to 6500K) (16) (17) (18)		
							DWW Dynamic Warm White (2200K to 3000K) (16) (17) (18)		
							DWWP Dynamic Warm White Plus (2200K to 3500K) (16) (17) (18)		

Notes:

1. Refer to website product configurator for all exceptions.
2. Refer to website for EZ Ship configurations.
3. Not available for 700 lumens. Not available for 1000 lumens when combined with 80 color rendering option.
4. Not available for XN and VN optics.
5. Not available for DTW, DTWP, DWH, DWW or DWWP color options.
6. Not available for CR90.
7. Available for NR, NFR, M and MFR optics only.
8. Not available with PC, IC, IC/AT or RMR installation types.
9. Available for NR, NFR, M and MFR optics only.
10. Available for CRI 80 only.
11. Available for RM and NC Installation Types only.
12. Available for CR90 only.
13. Compatible with all control options except for DALI8.
14. Compatible with DA1, ES, SDALI1, SDALI2, DMX/RDM and LT control options only.
15. Available for 1000, 1300 and 2000 lumens when combined with 90 color rendering option and NR, NFR, M or MFR optics only.
16. NFR and MFR faceted reflector optics are recommended for optimal performance.
17. Compatible with LT, DMX/RDM and DALI8 control options only.
18. Available for 1300 lumens when combined with 80 color rendering option and NR, NFR, M or MFR optics only.
19. Available for 700 lumens when combined with 80 or 90 color rendering options and 27K, 30K, 35K or 40K color temperature options only.
20. Available up to 1300 lumens when combined with 80 or 90 color rendering options and 27K, 30K, 35K or 40K color temperature options only.
21. Available up to 2000 lumens when combined with 80 color rendering option. Available up to 1300 lumens when combined with 90 or 95 color rendering options.
22. Available up to 2000 lumens when combined with 80, 90 or 95 color rendering options.

How to Order

Control (23)	Decorative Bezel	Decorative Bezel Finish	Trim	Trim Finish	Installation Type	Ceiling Thickness (60)	Option	Accessories (64)
<p>NO On/Off Control (24) (25)</p> <p>NO3 On/Off Control 347V (3) (4)</p> <p>DAMC Standard 0-10V Dimming 1% Linear Curve (5) (25) (26) (27) (28)</p> <p>DA1 Standard 0-10V Dimming 1% Linear Curve (25) (29)</p> <p>DA2 Standard 1-10V Dimming 1% Logarithmic Curve (25) (29)</p> <p>DA3 Standard 0-10V Dimming 1% Linear Curve (347V) (3) (4)</p> <p>PDA1 Professional 0-10V Dimming 0.1% Linear Curve (25) (29)</p> <p>PDA2 Professional 0-10V Dimming 0.1% Logarithmic Curve (25) (29)</p> <p>PH Phase Dimming (30) (31)</p> <p>PPH Phase Dimming 1% (4) (5) (28) (31) (32)</p> <p>PHB Pro Phase Dimming ERP PHB Series (5) (27) (33) (34) (35)</p> <p>ES Lutron® Hi-lume 1% EcoSystem® LDE1/PEQ1 Soft-on/Fade-to-Black (25) (36) (37)</p> <p>ESP Lutron® Hi-lume Premier 0.1% EcoSystem® PEQ0 Soft-on/Fade-to-Black (25) (38) (39)</p> <p>CA Lutron® Caséta dimming compatible (Lutron Hi-lume 1% 2-wire LTEA) (temporarily unavailable) (4) (31) (33) (40) (41)</p> <p>VI Lutron® Vive control enabled (Lutron VIVE FCJS-010) (25) (42) (43)</p> <p>NL nLight® control enabled (nPS-80-EZ) (25) (42) (43)</p> <p>NLER nLight® emergency control enabled (nPS-80-EZ-ER) (25) (42) (43)</p> <p>NL347 nLight® control enabled 347V (nPS-80-EZ-347) (4) (33) (42) (43)</p> <p>SDALI1 Standard DALI Dimming 1% Linear Curve (25)</p> <p>SDALI2 Standard DALI Dimming 1% Logarithmic Curve (25)</p> <p>DALI1 Professional DALI Dimming 0.1% Linear Curve (25)</p> <p>DALI2 Professional DALI Dimming 0.1% Logarithmic Curve (25)</p> <p>DALIT8 DALI-2 T8 Enabled Dimming 1% (4) (25) (44) (45)</p> <p>DMX/RDM DMX/RDM Enabled Dimming 1% (25) (46) (47) (48)</p> <p>LT Lumentalk Enabled Dimming (25) (49)</p>	<p>ADB Adjustable (0°-358° rotation, 0°-40° tilt)</p>	<p>MWH Matte White</p> <p>MBK Matte Black</p> <p>MSI Matte Silver</p> <p>NKS Nickel Satin</p> <p>DCH Dark Chrome</p> <p>BCH Bright Chrome</p> <p>SWT Satin Wheat</p> <p>CC Custom Color Trim (50)</p> <p>SP Special Point Source Color (51)</p>	<p>RD Round (52)</p> <p>TLR Trimless Round (52)</p> <p>SQ Square (53)</p> <p>SR Square Trim with Round Hole (52)</p> <p>TLS Trimless Square (53)</p>	<p>MWH Matte White</p> <p>MBK Matte Black</p> <p>MSI Matte Silver</p> <p>NKS Nickel Satin</p> <p>CC Custom Color Trim (50)</p> <p>SP Special Point Source Color (51)</p>	<p>RM Remodel Non-Insulated Ceiling (Non-Plenum Rated) (54)</p> <p>NC New Construction Non-Insulated Ceiling (Non-Plenum Rated) (54)</p> <p>PC Plenum Non-Insulated Ceiling (Enclosed Box) (39) (59) (56) (57)</p> <p>IC New Construction Insulated Ceiling (Enclosed Box) (57) (58)</p> <p>IC/AT New Construction Insulated Ceiling (Chicago Plenum/airtight enclosed box) (39) (55) (56) (57)</p> <p>RMR Remote Recessed Insulated Ceiling/Plenum (enclosed box) (39) (55) (56) (57) (59)</p>	<p>1 0.04 in to 1 in Ceiling Thickness</p> <p>2 1.05 in to 2 in Ceiling Thickness</p>	<p>EBB Emergency Battery Backup with Hanger Bar (Bodine BSL17C-C2) (5) (25) (61) (62) (63)</p> <p>EBI Emergency Battery Backup with Hanger Bar (Iota ILB-CPO7-A TBTS) (5) (25) (61) (62) (63)</p>	<p>NA No Accessory</p> <p>HL Honeycomb Louver (65)</p> <p>XLVR Concentric Ring Louver (64) (67)</p> <p>CL Clear Glass Lens</p> <p>SL Softening Glass Lens</p> <p>PD Prismatic Diffuser (68)</p> <p>LSN Linear Spread Lens Narrow (1° x 40°) (69) (70)</p> <p>LSW Linear Spread Lens Wide (1° x 60°) (70) (71)</p> <p>BW1 Beam Widening Lens (+10°) (70)</p> <p>BW2 Beam Widening Lens (+20°) (70)</p> <p>BW3 Beam Widening Lens (+30°) (70)</p>

Notes:

- 3. Not available for 700 lumens. Not available for 1000 lumens when combined with 80 color rendering option.
- 4. Not available for XN and VN optics.
- 5. Not available for DTW, DTWP, DWH, DWW or DWWP color options.
- 23. Control options vary according to color temperature, color rendering, optics and installation type combination. Refer to website product configurator for details.
- 24. Manufacturer's choice driver. Order code may change to NO1.
- 25. Not available with 347V.
- 26. Manufacturer's choice driver. Order code may change to DAMC1 or DAMC2.
- 27. Not available for XN and VN optics.
- 28. Available up to 3000 lumens when combined with 80 color rendering option. Available up to 2000 lumens when combined with 90 or 95 color rendering options.
- 29. Driver cuts off power to the fixture when the control signal drops below 0.5V.

30. Manufacturer's choice driver. Order code may change to PH1 or PH2.
31. Available for 120V voltage option only.
32. Manufacturer's choice driver. Order code is subject to change.
33. Not available for 700 lumens.
34. Not available for N, NR, NFR, M and MFR optics when combined with 1000 lumens.
35. Not available for 5000 lumens when combined CR80.
36. One EcoSystem® address per fixture. Available for static white color temperature options and DTW, DTWP color options only.
37. Available for 3000 lumens and 4000 lumens only.
38. One EcoSystem® address per fixture. Lutron® EcoSystem® Enabled dimming not available for 1300 lumens combined with VN optic. Available for static white color temperatures only.
39. Not available for 3000 and 4000 lumens.
40. Consult factory for CA control option.
41. Requires Caseta Wireless Dimmer PRO Wall Dimmer.
42. Available for RM, NC And RMR installation types only.
43. When used with RMR installation type, the installer is responsible for verifying the wireless distance limitations of the main controller to the remote driver installation.
44. Available for DWH, DWW and DWWP color options only. DALI-2 Type 8 controller required.
45. Not available for PC, IC or IC/AT installation types.
46. Configurable between 8 or 16-bit dimming control via RDM. DMX/RDM requires LumenID, LumenID software and onsite commissioning.
47. A Control Box (CBX-DS or CBX-ST) and LumenID (LID) must be specified.
48. Configurable to 1, 2, or 3 channel control via RDM in the field.
49. A Lumentranslator 2 (LTL2) and LumenID (LID) must be specified for Lumentalk applications. Consult Lumentranslator 2 and Lumentalk pages and specification sheets for details.
50. Longer lead times can be expected for custom RAL color finishes.
51. Refer to Cylinder specification sheet and brochure for color options.
52. Cannot be combined with square ceiling cutout.
53. Cannot be combined with round ceiling cutout.
54. Available for 700 lumens when combined with XN optic and up to 1300 lumens when combined with VN optic. Available up to 2000 lumens when combined with NS and N optics and up to 4000 lumens when combined with NR, NFR, M and MFR optics. Refer to optic option notes for color rendering limitations.
55. Available for 700 lumens when combined with XN optic and up to 1300 lumens when combined with VN and NS optics. Available up to 2000 lumens when combined with N, NR, NFR, M and MFR optics. Refer to optic option notes for color rendering limitations.
56. Not available for 2000 lumens when combined with DTW and DTWP color options.
57. Not available for DWH, DWW or DWWP color options.
58. Available for 700 lumens when combined with XN optic and up to 1300 lumens when combined with VN, NS, N and NFR optics. Available up to 2000 lumens when combined with M and MFR optics. Refer to optic option notes for color rendering limitations.
59. Remote distance is a maximum of 75 ft. For longer remote distances, please contact Lumenpulse Application Engineering Team for application validation.
60. Ceiling springs are field changeable, consult factory and installation instructions for details.
61. Available for RM and NC installation types only.
62. Emergency battery backup options require ceiling access for test button use. The battery will operate for 90 minutes minimum and maintain a minimum of 1 fc from a 7 ft 2 in height as per UL 924. For indoor use only in dry or damp locations.
63. Emergency battery backup options are field installed and not presided by Lumenpulse. Refer to related installation instructions for details.
64. Maximum one accessory per position (optic and bezel). HL and XLVR accessories are installed in optic position. CL, SL, PD, LSN, LSW, BW1, BW2 and BW3 accessories are installed in bezel position. Refer to specification sheet for details.
65. Not available for DTW and DTWP color options.
66. Available for XN, VN and NS optics only.
67. Can be combined with PD accessory only.
68. Recommended to be combined with HL or XLVR accessory only.
69. Recommended for XN, VN, NS, N, NR and NFR optics when combined with 2200K, 2700K, 3000K, 3500K, 4000K color temperature options. Nominal 10° x 40° distribution when used with the NS optic. Available for NFR optic when combined with DTW, DTWP, DWH, DWW or DWWP color options only.
70. For optimal performance, it is not recommended to mix with other accessories.
71. Recommended for XN, VN, NS, N, NR and NFR optics when combined with 2200K, 2700K, 3000K, 3500K, 4000K color temperature options. Nominal 10° x 60° distribution when used with the NS optic. Available for NFR optic when combined with DTW, DTWP, DWH, DWW or DWWP color options only.