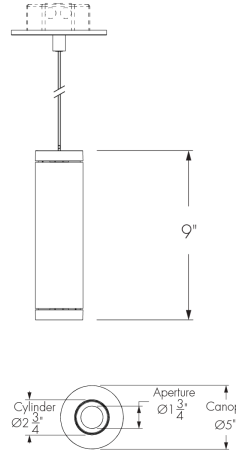


Project Name _____ Qty _____

Type _____ Catalog / Part Number _____



Front view

Bottom view

Photometric Summary

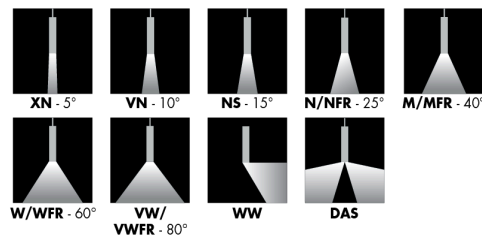
Based on Wide Faceted Reflector (nominal 60°), 4000K, CRI 90+

Nominal output [lm]	Delivered output [lm] ^[1]	Power (120V) [W] ^[2]	Efficacy [lm/W]	Power (277V) [W] ^[2]	Efficacy [lm/W]
700	744	6.5	114	8	93
1000	978	8	122	10	98
1300	1,330	11	121	13	102
2000	2,074	18	115	19	109

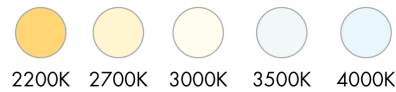
¹ Photometric performance is measured in compliance with IESNA LM-79-24.

² Consult website for latest IES files.

Optics



Color and Color temperature



Control

ON/OFF PH 0-10V

Description

The Lumencore Short Cylinder Nano Pendant Integral is a high-performance LED downlight that is ideal for intimate commercial, residential or hospitality applications and delivers up to 2000 lumens from a 2.75 in diameter. Available in 9 in, the Lumencore Short Cylinder Nano Pendant Integral comes in a number of finishes, or can be color-specified to your taste. Its accessories, beam angles, trims, and optics can easily be changed in the field.

Features

Mounting Options	Electrical cable mounting (flat canopy or deep canopy), Stem mounting (flat canopy or deep canopy)
Suspension Length	Metal pipe (12 in, 24 in, 36 in or 48 in) Pendant cable (50 in, 100 in or 250 in, field adjustable, black or white)
Light Direction	Direct lighting
Length	9 in
Installation Type	Integrated driver
Direct Lighting Output (Nominal Lumens)	700lm, 1000lm, 1300lm, 2000lm
Direct Lighting Color Temperature	2200K, 2700K, 3000K, 3500K, 4000K
Direct Lighting Optics (Nominal Distribution)	Extra Narrow Spot 5°, Very Narrow Spot 10°, Narrow Spot 15°, Narrow 25°, Narrow Faceted Reflector 25°, Medium 40°, Medium Faceted Reflector 40°, Wide 60°, Wide Faceted Reflector 60°, Very Wide 80°, Very Wide Faceted Reflector 80°, True Asymmetric Wallwash, Double Asymmetric
Optical Accessories	Snoot, Half Snoot, Honeycomb Louver, Concentric Ring Louver, Clear Glass Lens, Softening Glass Lens, Prismatic Diffuser, Linear Spread Lens Narrow (1° x 40°), Linear Spread Lens Wide (1° x 60°), Beam Widening Lens (+10°), Beam Widening Lens (+20°), Beam Widening Lens (+30°)

Finishes



CC-Custom color and finish
(Please specify RAL color)

Lumencycle™ Program



Certifications



Direct Lighting Accessories

No Accessory, Snoot, Half Snoot, Honeycomb Louver, Concentric Ring Louver, Clear Glass Lens, Softening Glass Lens, Prismatic Diffuser, Linear Spread Lens Narrow (1° x 40°), Linear Spread Lens Wide (1° x 60°), Beam Widening Lens (+10°), Beam Widening Lens (+20°), Beam Widening Lens (+30°)

Warranty

5-year limited warranty

Physical

Weight

2.3 lbs

Housing Material

Aluminum

TIR Optics Material

Clear polycarbonate

Reflector Material

Aluminum

Performance

Maximum Delivered Output

Up to 2,726 lm (narrow spot optic 15°, 4000K, CRI 90)

Maximum Delivered Intensity

Up to 29,582 cd (extra narrow spot optic 5°, 4000K, CRI 80)

Efficacy

Up to 134 lm/W (narrow spot optic 15°, 4000K, CRI 90)

Color Consistency

2 SDCM, 3 SDCM (XN optic only)

Color Rendering

CRI 80+, CRI 90+, CRI 95+

Lumen Maintenance

L95 55,000 hrs
L70 225,000 hrs

UGR

< 19 (not applicable to WW and DAS distributions)

Electrical and Control

Voltage

120 Volts, 277 Volts

Control

On/Off Control, Phase Dimming, Standard 0-10V Dimming 1% Linear Curve, 0-10V dimming (1% linear)

Environmental

Environment

Damp location (interior applications only)

Operating Temperature

-4 °F to 86 °F

Ingress Protection Rating

IP20

Important

Virtual Patent Marking Notice

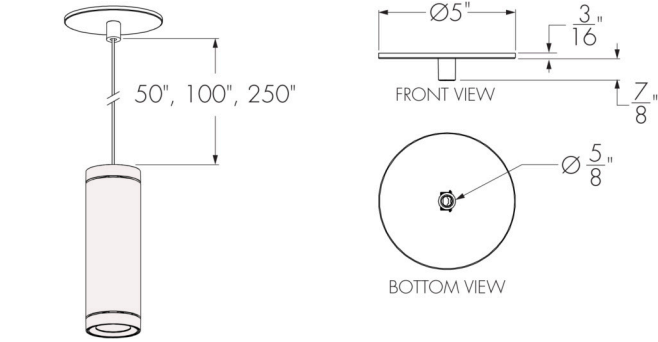
This website (<https://www.lmpg.com/patents-trademarks>) is provided to satisfy the virtual patent marking provisions of applicable jurisdictions. Some products listed may be covered by additional patents not referenced here.

Lumencycle™ Program

Lumencycle is a comprehensive program designed to maximize the life of Lumenpulse fixtures while preserving their performance, quality, and design intent. Built around three pillars—Repair, Restore, and Recycle—the program provides clear pathways to maintain existing installations, restore fixtures, and responsibly manage them at end of life. For full program details, visit <https://www.lumenpulse.com/lumencycle>.

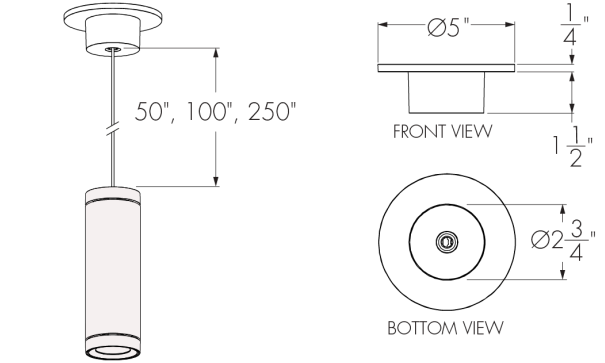
Mounting Option Dimensions

Flat Canopy & Cable Option



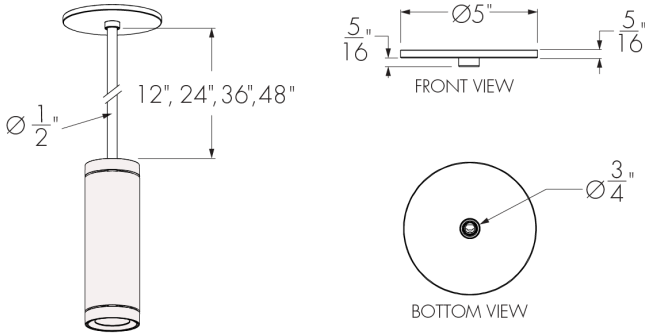
The fixture uses an electrical cable for its pendant cable.

Deep Canopy & Cable Option

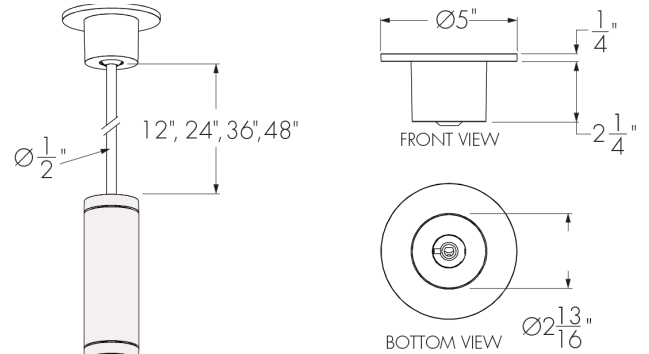


The fixture uses an electrical cable for its pendant cable.

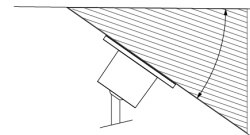
Flat Canopy & Stem Option



Deep Canopy & Stem Option

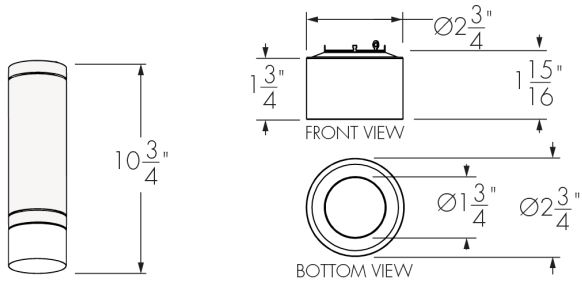


MAXIMUM CEILING ANGLE FOR DEEP CANOPY: 35°

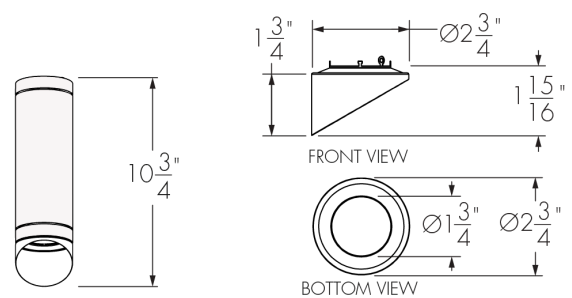


Optical Accessory Dimensions

Snoot



Half Snoot



Photometric Information - Color Rendering Options Comparison, 3000K

Color sample	Ra	R1	R2	R3	R4	R5	R6	R7	R8	R9	R10	R11	R12	R13	R14	R15
CRI 80+	84	82	90	97	83	82	88	86	63	15	77	83	68	84	98	75
CRI 90+	94	95	98	99	95	94	97	91	80	55	93	97	83	96	99	89
CRI 95+	97	96	97	99	96	96	95	96	97	97	96	95	86	96	98	97

Optics

TIR Optic
XN/VN/NS/N



Semi-Specular reflector
M/W/VW



Faceted reflector
NFR/MFR/WFR/VWFR



Control

On/off control

NO - On/off control

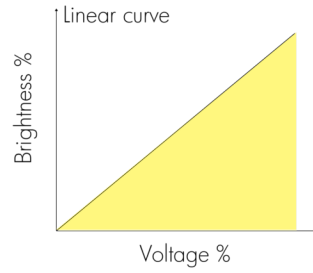
Phase dimming

PH - Phase dimming

Standard 0-10V dimming down to 1%

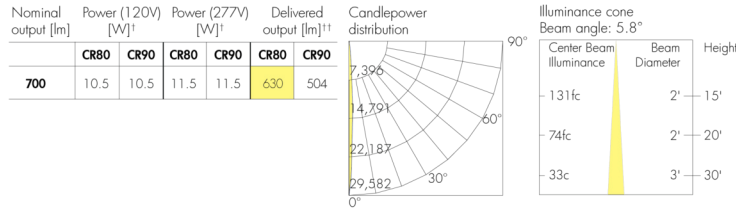
DAMC - Standard 0-10V dimming to 1% linear curve

DA1 - Standard 0-10V dimming, 1% linear

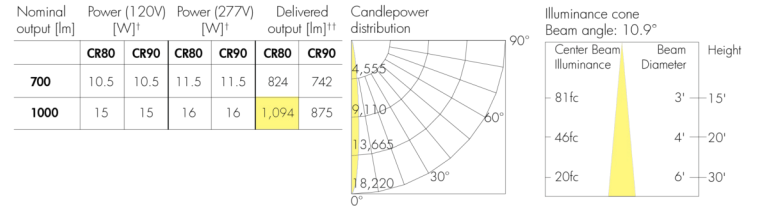


Photometric Information - Direct Lighting Optics

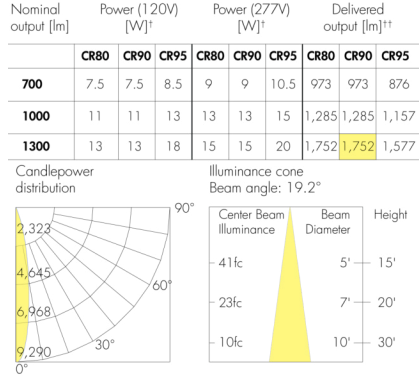
XN - Extra Narrow Spot (Nominal 5°), 4000K



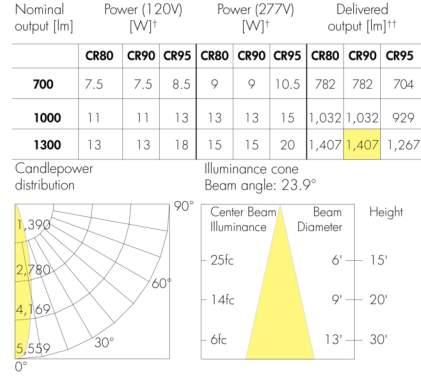
VN - Very Narrow Spot (Nominal 10°), 4000K



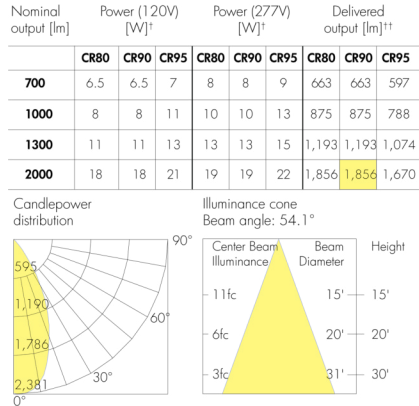
NS - Narrow Spot (Nominal 15°), 4000K



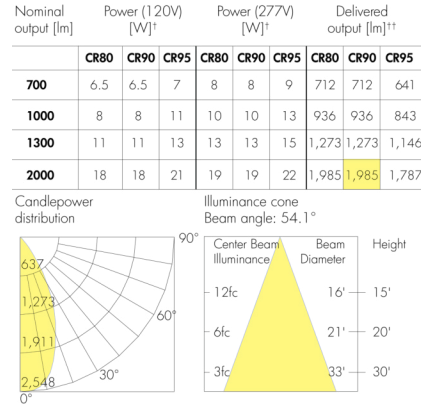
N - Narrow (Nominal 25°), 4000K



M - Medium (Nominal 40°), 4000K



MFR - Medium Faceted Reflector (Nominal 40°), 4000K



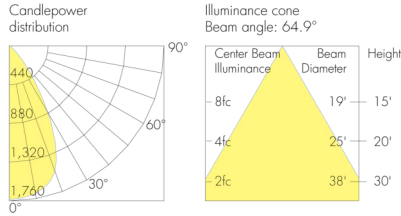
† Delivered wattage: +/- 10% tolerance.

†† Consult website for latest IES files. Delivered output: +/- 10% tolerance.

Photometric performance is measured in compliance with IESNA LM-79-24.

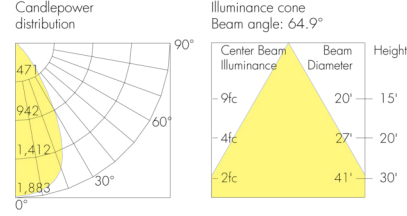
W - Wide (Nominal 60°), 4000K

Nominal output [lm]	Power (120V) [W]†			Power (277V) [W]†			Delivered output [lm]††		
	CR80	CR90	CR95	CR80	CR90	CR95	CR80	CR90	CR95
700	6.5	6.5	7	8	8	9	692	692	623
1000	8	8	11	10	10	13	914	914	823
1300	11	11	13	13	13	15	1,246	1,246	1,122
2000	18	18	21	19	19	22	1,939	1,939	1,745



WFR - Wide Faceted Reflector (Nominal 60°), 4000K

Nominal output [lm]	Power (120V) [W]†			Power (277V) [W]†			Delivered output [lm]††		
	CR80	CR90	CR95	CR80	CR90	CR95	CR80	CR90	CR95
700	6.5	6.5	7	8	8	9	744	744	667
1000	8	8	11	10	10	13	978	978	881
1300	11	11	13	13	13	15	1,330	1,330	1,197
2000	18	18	21	19	19	22	2,074	2,074	1,866



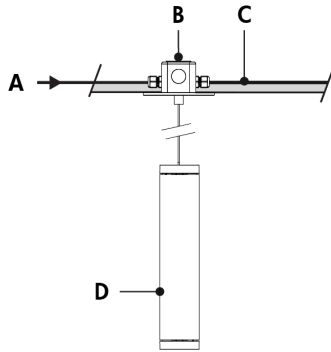
† Delivered wattage: +/- 10% tolerance.

†† Consult website for latest IES files. Delivered output: +/- 10% tolerance.

Photometric performance is measured in compliance with IESNA LM-79-24.

Typical Wiring Diagrams (Refer to Installation Instructions for Additional Wiring Details)

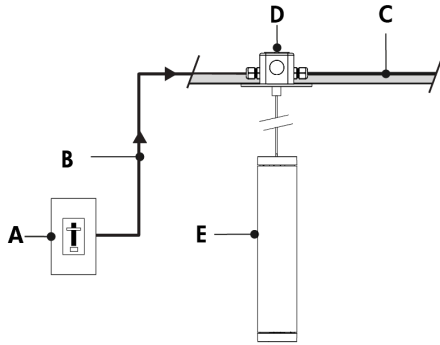
On/Off Control (NO)



- A** - Power input (120-277V)
- B** - 4 in octagonal/round junction box (by others)
- C** - Power wiring (by others)
- D** - Lumencore Short Cylinder Nano Pendant Integral

- Consult factory for specific applications and maximum fixture count/cable length recommendations.
- Consult Photometric Information pages for wattage information.

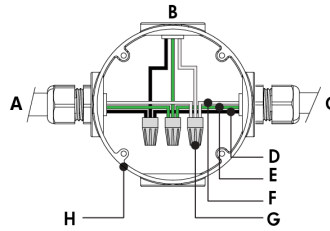
Phase Dimming (PH)



- A** - Phase dimmer (by others)
- B** - Phase dimmed power circuit (120V)
- C** - Power wiring (by others)
- D** - 4 in octagonal/round junction box (by others)
- E** - Lumencore Short Cylinder Nano Pendant Integral

- Consult factory for specific applications and maximum fixture count/cable length recommendations.
- Consult Photometric Information pages for wattage information.

On/Off Control (NO) - Wiring Detail

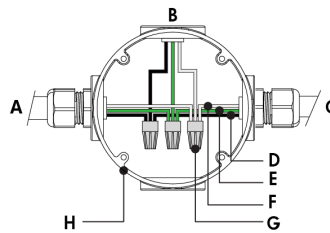


- A** - Power input or from previous fixture
- B** - To fixture
- C** - To next fixture
- D** - Line
- E** - Ground
- F** - Neutral
- G** - Wire-nuts (by others)
- H** - 4 in octagonal/round junction box (by others)

Wiring Color Code

Color	USE
Green	Ground
Black	Line
White	Neutral
Red or purple	0-10V / Data +
Orange or grey or pink	0-10V / Data -

Phase Dimming (PH) - Wiring Detail

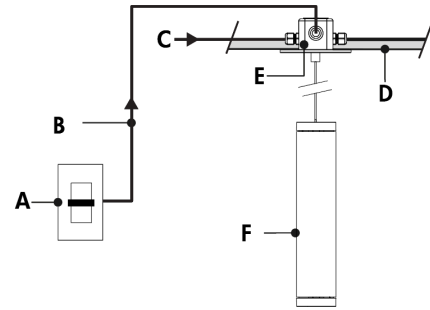


- A** - Power input or from previous fixture
- B** - To fixture
- C** - To next fixture
- D** - Line
- E** - Ground
- F** - Neutral
- G** - Wire-nuts (by others)
- H** - 4 in octagonal/round junction box (by others)

Wiring Color Code

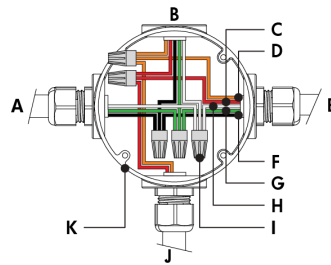
Color	USE
Green	Ground
Black	Line
White	Neutral
Red or purple	0-10V / Data +
Orange or grey or pink	0-10V / Data -

0-10V Dimming (DAMC, DA1)



- A - Dimmer (by others)
- B - Data wiring (by others)
- C - Power input (120-277V)
- D - Power and data wiring (by others)
- E - 4 in octagonal/round junction box (by others)
- F - Lumencore Short Cylinder Nano Pendant Integral

0-10V Dimming (DAMC, DA1) - Wiring Detail



- A - Power input or from previous fixture
- B - To fixture
- C - 0-10V +
- D - 0-10V -
- E - To next fixture
- F - Line
- G - Ground
- H - Neutral
- I - Wire-nuts (by others)
- J - From dimmer (by others)
- K - 4 in octagonal/round junction box (by others)

Wiring Color Code

Color	USE
Green	Ground
Black	Line
White	Neutral
Red or purple	0-10V / Data +
Orange or grey or pink	0-10V / Data -

- Consult factory for specific applications and maximum fixture count/cable length recommendations.
- Consult Photometric Information pages for wattage information.

Optical Accessories

SN - Snoot



LACYN - SN

XLVR - Concentric Ring Louver



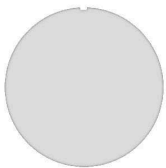
LACYN - XLVR

PD - Prismatic Diffuser



LACYN - PD

BW1 - Beam Widening Lens (+10°)



LACYN - BW1

HSN - Half Snoot



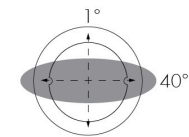
LACYN - HSN

CL - Clear Glass Lens

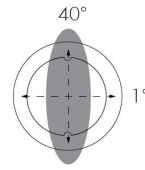


LACYN - CL

LSN - Linear Spread Lens Narrow (1° x 40°)



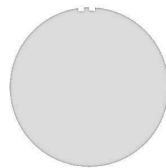
Horizontal Beam Distribution



Vertical Beam Distribution

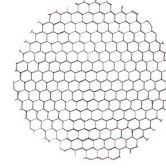
LACYN - LSN

BW2 - Beam Widening Lens (+20°)



LACYN - BW2

HL - Honeycomb Louver



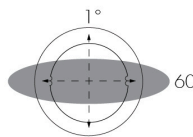
LACYN - HL

SL - Softening Glass Lens

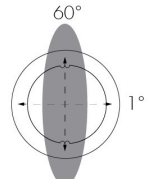


LACYN - SL

LSW - Linear Spread Lens Wide (1° x 60°)



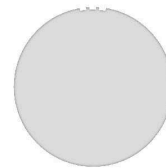
Horizontal Beam Distribution



Vertical Beam Distribution

LACYN - LSW

BW3 - Beam widening lens (+30°)



LACYN - BW3

How to Order

Housing ⁽¹⁾	EZ Ship	Certification	Mounting	Mounting Option Finish	Mounting Length	Light Direction	Voltage	Length	Installation Type	Direct Lighting Output (Nominal Lumens)	Direct Lighting Color Temperature
LACYN Lumencore Short Cylinder Nano - Ø2 3/4 in	EZ EZ Ship ^{(2) (3)}	A UL/cUL	PMF Pendant Mount Flat Canopy PMD Pendant Mount Deep Canopy PSF Pendant Stem Mount Flat Canopy ⁽⁴⁾ PSD Pendant Stem Mount Deep Canopy ⁽⁴⁾	MWH Matte White MBK Matte Black MSI Matte Silver CC Custom Color ^{(5) (6)}	M1 Metal Pipe (12 in) ⁽⁷⁾	D Direct lighting	120 120 Volts	9 9 in	ITG Integrated driver	dL07 700lm	22K 2200K ^{(10) (11)}
					M2 Metal Pipe (24 in) ⁽⁷⁾		277 277 Volts			dL10 1000lm	27K 2700K
					M3 Metal Pipe (36 in) ⁽⁷⁾					dL13 1300lm	30K 3000K
					M4 Metal Pipe (48 in) ⁽⁷⁾					dL20 2000lm	35K 3500K
					CA50BK Electrical Cable Pendant Black (50 in, Field Adjustable) ^{(8) (9)}						40K 4000K
					CA100BK Electrical Cable Pendant Black (100 in, Field Adjustable) ^{(8) (9)}						
					CA250BK Electrical Cable Pendant Black (250 in, Field Adjustable) ^{(8) (9)}						
					CA50WH Electrical Cable Pendant White (50 in, Field Adjustable) ^{(8) (9)}						
					CA100WH Electrical Cable Pendant White (100 in, Field Adjustable) ^{(8) (9)}						
					CA250WH Electrical Cable Pendant White (250 in, Field Adjustable) ^{(8) (9)}						

Notes:

1. Refer to website product configurator for all exceptions.
2. Refer to website for EZ Ship configurations.
3. To qualify for EZ Ship, the fixture finish and bezel finish must match.
4. Stem finish matches fixture housing color.
5. Refer to Finish section for additional color codes (ex. MGR).
6. Longer lead times can be expected for custom RAL color finishes.
7. Metal pipe available for PSF and PSD mounting options only.
8. Electrical cable pendant available for PMF and PMD mounting options only.
9. Strain relief matches color of electrical cable.
10. Available for CR80 only.
11. Not available for XN and VN optics.

How to Order

Direct Lighting Color Rendering	Direct Lighting Optics (Nominal Distribution)	Direct Lighting Control	Direct Lighting Accessories (24) (25)	Finish	Bezel	Bezel Finish
CR80 CRI 80+	XN Extra Narrow Spot 5° (12)	NO On/Off Control (17)	NA No Accessory	MWH Matte White	b Bezel	MWH Matte White
CR90 CRI 90+	VN Very Narrow Spot 10° (13)	PH Phase Dimming (18) (19)	SN Snoot (26)	MBK Matte Black		MBK Matte Black
CR95 CRI 95+	NS Narrow Spot 15° (14)	DAMC Standard 0-10V Dimming 1% Linear Curve (20) (21) (22)	HSN Half Snoot (26)	MBR Matte Brown		MBR Matte Brown
	N Narrow 25° (14)	DA1 Standard 0-10V Dimming 1% Linear Curve (23)	HL Honeycomb Louver (27)	MOR Matte Orange		MOR Matte Orange
	NFR Narrow Faceted Reflector 25° (14)		XLVR Concentric Ring Louver (28)	MGR Matte Green		MGR Matte Green
	M Medium 40°		CL Clear Glass Lens	MBL Matte Blue		MBL Matte Blue
	MFR Medium Faceted Reflector 40°		SL Softening Glass Lens	MSI Matte Silver		MSI Matte Silver
	W Wide 60°		PD Prismatic Diffuser	GWH Glossy White		GWH Glossy White
	WFR Wide Faceted Reflector 60°		LSN Linear Spread Lens Narrow (1° x 40°) (29)	GBK Glossy Black		GBK Glossy Black
	VW Very Wide 80°		LSW Linear Spread Lens Wide (1° x 60°) (30)	GYL Glossy Yellow		GYL Glossy Yellow
	VWFR Very Wide Faceted Reflector 80°		BW1 Beam Widening Lens (+10°) (31)	GLR Glossy Red		GLR Glossy Red
	WW True Asymmetric Wallwash (14) (15)		BW2 Beam Widening Lens (+20°) (31)	GVI Glossy Violet		GVI Glossy Violet
	DAS Double Asymmetric (14) (16)		BW3 Beam Widening Lens (+30°) (31)	GGR Glossy Green		GGR Glossy Green
				GIY Glossy Ivory		GIY Glossy Ivory
				CGY Concrete Gray		CGY Concrete Gray
				MLG Metalized Gray		MLG Metalized Gray
				IBR Italian Brick Red		IBR Italian Brick Red
				PWH Parget White		PWH Parget White
				CC Custom Color & Finish (4)		CC Custom Color & Finish (4)

Notes:

- 6. Longer lead times can be expected for custom RAL color finishes.
- 12. Available for 700 lumens when combined with CR80 or CR90 color rendering options only.
- 13. Available for 700 and 1000 lumens when combined with CR80 or CR90 color rendering options only.
- 14. Available up to 1300 lumens (CR80/CR90/CR95).
- 15. The color of the true asymmetric wallwash baffle matches the fixture bezel.
- 16. The color of the double asymmetric baffle is metallic gray.
- 17. Manufacturer's choice driver. Order code may change to NO1.
- 18. Manufacturer's choice driver. Order code may change to PH1 or PH2.
- 19. Available for 120V voltage option only.
- 20. Manufacturer's choice driver. Order code may change to DAMC1 or DAMC2.
- 21. Not available for XN and VN optics.
- 22. Available up to 2000 lumens when combined with CR80 color rendering option. Available up to 1300 lumens when combined with CR90 or CR95 color rendering options.

- 23. Driver cuts off power to the fixture when the control signal drops below 0.5V.
- 24. Accessories specified in the fixture code are factory installed but can also be changed in the field. Refer to installation instructions for details. To order accessories separately, refer to the Optical Accessories section of the specification sheet.
- 25. Maximum of two lenses can be installed per fixture. The Snoot (SN) or Half Snoot (HSN) can be combined with any accessory. The Linear Spread Lenses (LSN or LSW) are compatible with the Snoot and Half Snoot accessories only. The Clear Glass Lens (GL), Beam Widening Lens (BW1, BW2 or BW3) and Softening Glass Lens (SL) cannot be combined together. Optical accessories are not available for WW or DAS optics.
- 26. Matte black interior surface, exterior finish matches housing color.
- 27. When combined with another accessory, the HL will be factory-installed in second position (furthest from the LED source).
- 28. Available for XN, VN and NS optics only.
- 29. Available for XN, VN, NS, N and NFR optics only. Nominal 10° x 40° distribution when used with the NS optic.
- 30. Available for XN, VN, NS, N and NFR optics only. Nominal 10° x 60° distribution when used with the NS optic.
- 31. Available for XN, VN, NS, N and NFR optics only.