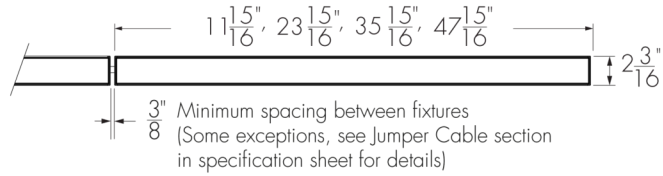
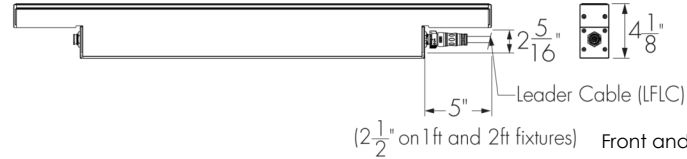


Project Name _____ Qty _____

Type _____ Catalog / Part Number _____



Top View



(2 1/2" on 1ft and 2ft fixtures) Front and Side Views
36 in Fixtures Shown

Photometric Summary (22 W/ft)

Symmetric

	Delivered Output (lm)	Intensity (Peak cd)
8°x8°	7,602	263,370
10°x10°	7,546	177,057
10°x30°	7,389	53,191
10°x60°	8,235	34,119
10°x90°	7,622	16,605
30°x30°	7,247	20,690
30°x60°	7,209	10,898
30°x90°	6,667	7,599
60°x60°	7,151	6,492
90°x90°	6,983	4,331
30°x10°	7,025	46,242
60°x10°	7,296	29,035
60°x30°	7,166	12,296
90°x10°	6,948	16,830
W (120°)	5,623	1,933

Asymmetric

NAS	7,024	93,225
WW	6,710	11,503
CAS	5,606	10,839

1. Based on 4000K, {mm}[1218mm], DMX/RDM control.

2. Photometric performance is measured in compliance with IESNA LM-79-24.

3. 8x8, 10x10, 10x30, 10x60, 10x90, 30x30, 30x60, 30x90, 60x60, 90x90, 30x10, 60x10, 60x30, 90x10, W and CAS optics tested with CL lens. NAS and WW optics tested with HFR lens.

4.

Refer to the Lumenfacade Max White and Static Colors Photometric Guide on Lumenpulse website for information on other color temperatures.

Description

The Lumenfacade Max Continuous Run supplies you with beautiful, clean white light and static colours through our in-house designed optics that can compliment the Lumenfacade Pure while supplying extra features and higher output.

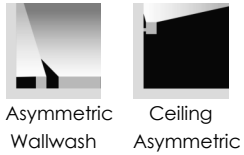
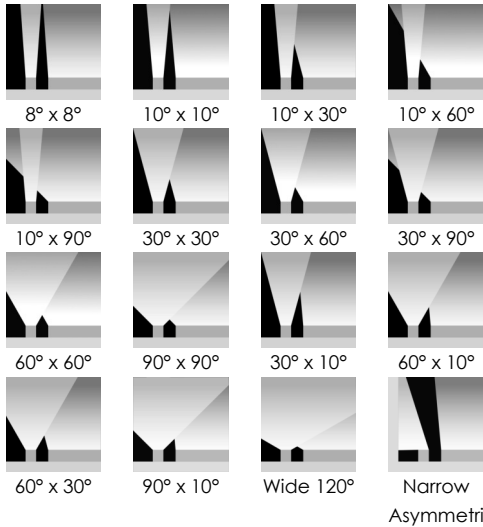
Features

Length (Nominal)	12: 12 in, 24: 24 in, 36: 36 in, 48: 48 in
Color and Color Temperature	22K: 2200K 27K: 2700K 30K: 3000K 35K: 3500K 40K: 4000K RD: Red GR: Green BL: Blue AMB: Phosphor Converted Amber (PC Amber)

Vibration Rating	NVR: Buildings and Fixed Structures VRN: Pole-Mounts VRBO: Bridges and Overpasses
-------------------------	--

Fixed Mounting Options	FX: Fixed Mounting (0° Pivot Limit)
-------------------------------	--

Optic



Color and Color Temperature



Control



Continuously Adjustable Mounting Options

SM: Slim Adjustable Mounting Continuously Adjustable (110° Pivot Limit)

WMC3: Wall Mounting Continuously Adjustable, 3.5 in to Optical Center (130° Pivot Limit)

WMC12: Wall Mounting Continuously Adjustable, 12 in to Optical Center (180° Pivot Limit)

WMC24: Wall Mounting Continuously Adjustable, 24 in to Optical Center (180° Pivot Limit)

WMC1: Wall Mounting Continuously Adjustable, 1.5 in to Optical Center (180° Pivot Limit)

WMC6: Wall Mounting Continuously Adjustable, 6 in to Optical Center (170° Pivot Limit)

WMC18: Wall Mounting Continuously Adjustable, 18 in to Optical Center (180° Pivot Limit)

Incrementally Adjustable Mounting Options

WMI1: Wall Mounting Incrementally Adjustable by 6°, 1.5 in to Optical Center (180° Pivot Limit)

WMI6: Wall Mounting Incrementally Adjustable by 6°, 6 in to Optical Center (170° Pivot Limit)

WMI18: Wall Mounting Incrementally Adjustable by 6°, 18 in to Optical Center (180° Pivot Limit)

WMI3: Wall Mounting Incrementally Adjustable by 6°, 3.5 in to Optical Center (130° Pivot Limit)

WMI12: Wall Mounting Incrementally Adjustable by 6°, 12 in to Optical Center (180° Pivot Limit)

WMI24: Wall Mounting Incrementally Adjustable by 6°, 24 in to Optical Center (180° Pivot Limit)

Optical Accessories

LV: Radial Louver
LVAS: Radial Louver Asymmetric
VS: Visor
SH: Shield

Warranty

5-year limited warranty

Performance

Maximum Delivered Output

2,816 lm
(6 W/ft, 48 in fixture, 4000K CRI 80+, 10° x 60°, CL Lens, DMX/RDM)
4,958 lm
(10 W/ft, 48 in fixture, 4000K CRI 80+, 10° x 60°, CL Lens, DMX/RDM)
8,235 lm
(22 W/ft, 48 in fixture, 4000K CRI 80+, 10° x 60°, CL Lens, DMX/RDM)

Maximum Delivered Intensity

90,070 cd at nadir
(6 W/ft, 48 in fixture, 4000K CRI 80+, 8° x 8°, CL Lens, DMX/RDM)
158,579 cd at nadir
(10 W/ft, 48 in fixture, 4000K CRI 80+, 8° x 8°, CL Lens, DMX/RDM)
263,370 cd at nadir
(22 W/ft, 48 in fixture, 4000K CRI 80+, 8° x 8°, CL Lens, DMX/RDM)

Finish



Lumencycle™ Program



Certifications



Illuminance at Distance	Minimum 1 fc at 300 ft (6 W/ft, 48 in fixture, 4000K CRI 80+, 8° x 8°, CL Lens, DMX/RDM) Minimum 1 fc at 398 ft (10 W/ft, 48 in fixture, 4000K CRI 80+, 8° x 8°, CL Lens, DMX/RDM) Minimum 1 fc at 513 ft (22 W/ft, 48 in fixture, 4000K CRI 80+, 8° x 8°, CL Lens)
--------------------------------	--

Color Consistency	2 SDCM
--------------------------	--------

Lumen Maintenance	For 22K, 27K, 30K, 35K, 40K: L70 (10K) > 60,000 hrs Ta 25 °C (TM-21 reported) L70 > 150,000 hrs Ta 25 °C (projected)* L90 (10K) = 55,600 hrs Ta 25 °C (TM-21 reported) L90 = 55,600 hrs Ta 25 °C (projected)* *Estimated based on in-situ case temperature and LM-80 report
--------------------------	--

	For RD, GR, BL, AMB: L70 (15K) > 90,000 hrs Ta 25 °C (TM-21 reported) L70 > 150,000 hrs Ta 25 °C (projected)* L90 (15K) = 55,400 hrs Ta 25 °C (TM-21 reported) L90 = 55,400 hrs Ta 25 °C (projected)* *Estimated based on in-situ case temperature and LM-80 report
--	--

Color Rendering	CRI 80+ (applicable to 22K, 27K, 30K, 35K and 40K color temperatures only) Consult factory for CRI 90+
------------------------	---

Physical

Housing Material	Low copper content extruded aluminum
Lens Material	Tempered glass
Hardware Material	Stainless steel
End Cap Material	Die cast aluminum
Gasket Material	Silicone
Surface Finish	XD: Luminaire treated with extra-durable, multi-step finish: zirconium pretreatment completed with corrosion-resistant primer and electrostatically-applied, powder coat paint finish
Weight	4.5 lbs (12 in fixture) 7.5 lbs (24 in fixture) 11.5 lbs (36 in fixture) 14.5 lbs (48 in fixture)

Electrical and Control

Voltage	120 to 277 Volts (UL Certification) 220 to 240 volts (CE certification, Class I) 100 to 200 volts (PSE Certification)
	Note: For 208V, 220V, 240V, and 277V systems, the voltage drop must not fall below 195V. For 200V system with PSE Certification, the voltage drop must not fall below 160V.

Wattage	6W: 6 W/ft, 10W: 10 W/ft, 22W: 22 W/ft
Control	NO: On/Off Control DIM: 0-10V Dimming DALI: DALI 2 T6 Enabled Dimming 0.1% LT: Lumentalk DMX/RDM: DMX/RDM Enabled Dimming ETX: ExtendX™
Inrush Current (Peak)	Meets NEMA-410 requirements (Based on voltage and control specifications, consult factory for details)

Environmental

Storage Temperature	-40 °F to 185 °F
Start-up Temperature	-40 °F to 122 °F
Operating Temperature	For 6 W/ft fixtures: -40 °F to 122 °F For 10 W/ft fixtures: -40 °F to 122 °F For 22 W/ft fixtures: -40 °F to 104 °F
Ingress Protection Rating	IP66 IP67 (suitable for applications with temporary immersion in water only (no permanent immersion), proper drainage around the fixture is required). Consult factory for details
Impact Resistance Rating	IK07 (CL lens), IK07 (HFR lens), IK06 (FR lens) Consult factory for IK08 lens option
Application Wind Speed	Luminaires were designed based on AASHTO 2018 (50 ft, 150 mph) standard to ensure highest quality and safety. Installation should be validated by a local project engineer to ensure the luminaires are suitable for the wind speed and exposure of the specific application. Consult factory for zones with higher wind speeds or higher mounting heights. See accessories' section for exception.
Environment	Wet location rating

Accessories (Order Separately)

Cables	LFCL: Lumenfacade Leader Cable LFJC: Lumenfacade Jumper Cable LFTJ: Lumenfacade T-Junction
---------------	---

Operation and Maintenance

Lumencycle™ Program	Lumencycle-enabled fixtures are designed for serviceability and circular lifecycle management. Lumenpulse will provide factory refurbishment programs, allowing luminaires to be restored and redeployed rather than replaced.
----------------------------	--

Important

Virtual Patent Marking Notice

This website (<https://www.lmpg.com/patents-trademarks>) is provided to satisfy the virtual patent marking provisions of applicable jurisdictions. Some products listed may be covered by additional patents not referenced here.

Lumecycle™ Program

Lumecycle is a comprehensive program designed to maximize the life of Lumenpulse fixtures while preserving their performance, quality, and design intent. Built around three pillars—Repair, Restore, and Recycle—the program provides clear pathways to maintain existing installations, restore fixtures, and responsibly manage them at end of life. For full program details, visit <https://www.lumenpulse.com/lumecycle>.

Photometric Information

6 W/ft (3000K)

Symmetric

	Delivered Output (lm)	Intensity (Peak cd)
8°x8°	2,410	83,495
10°x10°	2,392	56,131
10°x30°	2,342	16,863
10°x60°	2,611	10,816
10°x90°	2,416	5,264
30°x30°	2,297	6,559
30°x60°	2,285	3,455
30°x90°	2,113	2,409
60°x60°	2,267	2,058
90°x90°	2,214	1,373
30°x10°	2,227	14,660
60°x10°	2,313	9,205
60°x30°	2,272	3,898
90°x10°	2,203	5,335
W (120°)	1,783	613

Asymmetric

NAS	2,227	29,554
WW	2,127	3,647
CAS	1,777	3,436

Based on 3000K, 48 in, DMX/RDM control configuration.

10 W/ft (3000K)

Symmetric

	Delivered Output (lm)	Intensity (Peak cd)
8°x8°	4,243	147,002
10°x10°	4,212	98,826
10°x30°	4,124	29,689
10°x60°	4,596	19,044
10°x90°	4,254	9,268
30°x30°	4,045	11,548
30°x60°	4,024	6,083
30°x90°	3,721	4,241
60°x60°	3,992	3,624
90°x90°	3,898	2,417
30°x10°	3,921	25,810
60°x10°	4,072	16,206
60°x30°	4,000	6,863
90°x10°	3,878	9,394
W (120°)	3,139	1,079

Asymmetric

NAS	3,921	52,034
WW	3,745	6,421
CAS	3,129	6,050

Based on 3000K, 48 in, DMX/RDM control configuration.

22 W/ft (3000K)

Symmetric

	Delivered Output (lm)	Intensity (peak cd)
8°x8°	7,047	244,144
10°x10°	6,996	164,132
10°x30°	6,849	49,308
10°x60°	7,634	31,628
10°x90°	7,065	15,393
30°x30°	6,718	19,180
30°x60°	6,683	10,102
30°x90°	6,180	7,044
60°x60°	6,629	6,018
90°x90°	6,473	4,014
30°x10°	6,512	42,866
60°x10°	6,763	26,915
60°x30°	6,643	11,398
90°x10°	6,440	15,601
W (120°)	5,213	1,792

Asymmetric

NAS	6,511	86,419
WW	6,220	10,664
CAS	5,197	10,048

Based on 3000K, 48 in, DMX/RDM control configuration.

Photometric performance is measured in compliance with IESNA LM-79-24.

8x8, 10x10, 10x30, 10x60, 10x90, 30x30, 30x60, 30x90, 60x60, 90x90, 30x10, 60x10, 60x30, 90x10, W and CAS optics tested with CL lens. NAS and WW optics tested with HFR lens.

6 W/ft (4000K)

Symmetric

	Delivered Output (lm)	Intensity (Peak cd)
8°x8°	2,600	90,070
10°x10°	2,581	60,552
10°x30°	2,527	18,191
10°x60°	2,816	11,668
10°x90°	2,607	5,679
30°x30°	2,478	7,076
30°x60°	2,465	3,727
30°x90°	2,280	2,599
60°x60°	2,446	2,220
90°x90°	2,388	1,481
30°x10°	2,402	15,814
60°x10°	2,495	9,930
60°x30°	2,451	4,205
90°x10°	2,376	5,756
W (120°)	1,923	661

Asymmetric

NAS	2,402	31,882
WW	2,295	3,934
CAS	1,917	3,707

Based on 4000K, 48 in, DMX/RDM control configuration.

10 W/ft (4000K)

Symmetric

	Delivered Output (lm)	Intensity (Peak cd)
8°x8°	4,577	158,579
10°x10°	4,544	106,608
10°x30°	4,449	32,027
10°x60°	4,958	20,543
10°x90°	4,589	9,998
30°x30°	4,363	12,458
30°x60°	4,341	6,562
30°x90°	4,014	4,575
60°x60°	4,306	3,909
90°x90°	4,205	2,607
30°x10°	4,230	27,843
60°x10°	4,393	17,482
60°x30°	4,315	7,404
90°x10°	4,183	10,133
W (120°)	3,386	1,164

Asymmetric

NAS	4,229	56,132
WW	4,040	6,926
CAS	3,375	6,526

Based on 4000K, 48 in, DMX/RDM control configuration.

22 W/ft (4000K)

Symmetric

	Delivered Output (lm)	Intensity (Peak cd)
8°x8°	7,602	263,370
10°x10°	7,546	177,057
10°x30°	7,389	53,191
10°x60°	8,235	34,119
10°x90°	7,622	16,605
30°x30°	7,247	20,690
30°x60°	7,209	10,898
30°x90°	6,667	7,599
60°x60°	7,151	6,492
90°x90°	6,983	4,331
30°x10°	7,025	46,242
60°x10°	7,296	29,035
60°x30°	7,166	12,296
90°x10°	6,948	16,830
W (120°)	5,623	1,933

Asymmetric

NAS	7,024	93,225
WW	6,710	11,503
CAS	5,606	10,839

Based on 4000K, 48 in, DMX/RDM control configuration.

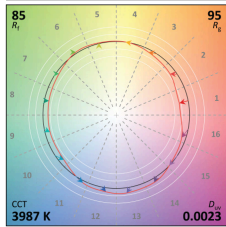
Photometric performance is measured in compliance with IESNA LM-79-24.

8x8, 10x10, 10x30, 10x60, 10x90, 30x30, 30x60, 30x90, 60x60, 90x90, 30x10, 60x10, 60x30, 90x10, W and CAS optics tested with CL lens. NAS and WW optics tested with HFR lens.

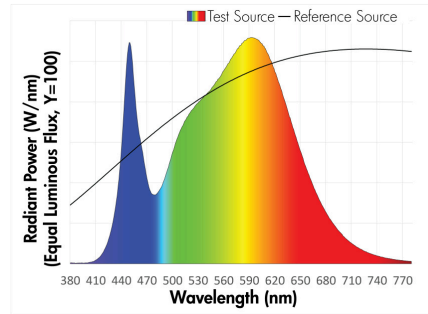
Chromaticity Data

TM-30 - 4000K

CCT	CIE		TM-30	
	R _a	R _v	R _g	R _i
4000K	82	3	85	95

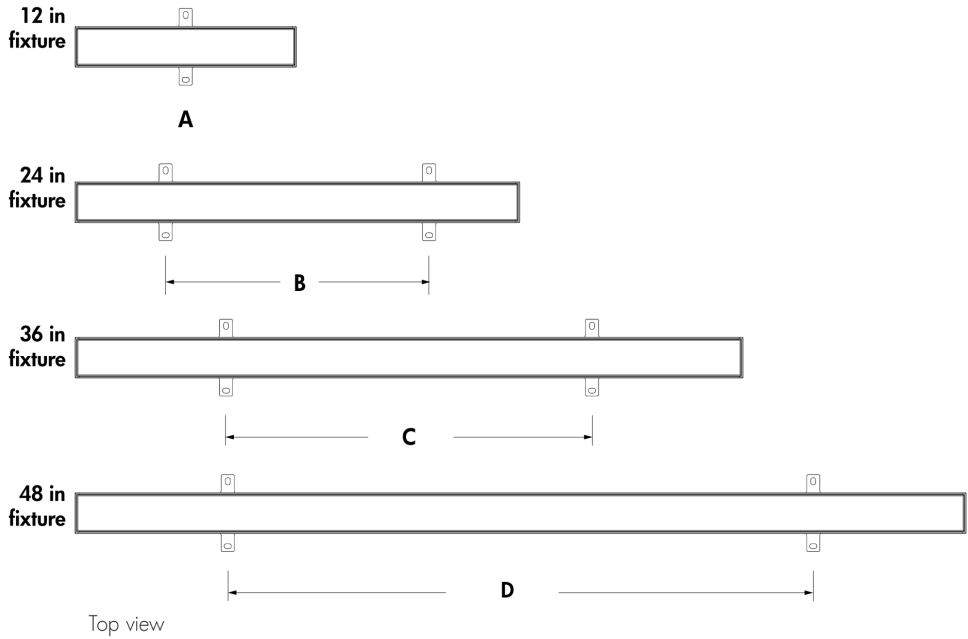


Spectral Power Distribution



Refer to the TM-30 and Spectral Power Distribution Guide on the website for information on other color temperatures.

Mounting Bracket Placement (Minimum and Maximum Distances)



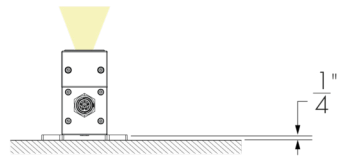
- A - Bracket in the center of the fixture
- B - Minimum 14 in to maximum 17 in
- C - Minimum 20 1/2 in to maximum 23 1/2 in
- D - Minimum 30 1/2 in to maximum 33 1/2 in

FX mounting brackets shown.

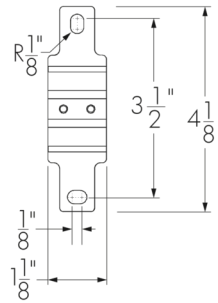
The mounting bracket(s) must be centered on fixture and as symmetrical as possible. Distances must be respected for all installations.

Mounting Options

FX - Fixed Mounting



FX - Mounting Hole Pattern



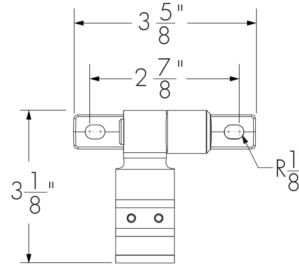
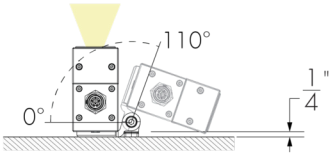
One mounting bracket provided for 12 in fixtures. Two mounting brackets provided for 24 in, 36 in and 48 in fixtures.

Weight of one FX Mounting Bracket: 0.11 lbs. Weight of two FX Mounting Brackets: 0.22 lbs.

For proper hardware selection, use the dimensions of the mounting option, the weight and EPA values of the mounting option, and the weight and EPA values of the fixture and accessories for your engineering calculations.

SM - Slim Adjustable Mounting

SM - Mounting Hole Pattern



Wind Limits

SM	No Accessories	With Accessories
12in	120mph	90mph
24in	80mph	70mph
36in	80mph	70mph
48in	80mph	70mph

Not suitable for pole-mounted or bridge and overpass applications.

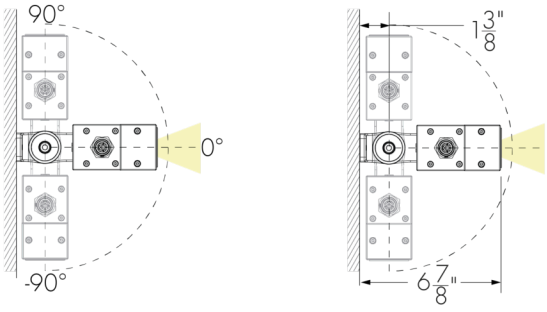
One mounting bracket provided for 12 in fixtures. Two mounting brackets provided for 24 in, 36 in and 48 in fixtures.

Weight of one SM Mounting Bracket: 0.26 lbs. Weight of two SM Mounting Brackets: 0.53 lbs.

For proper hardware selection, use the dimensions of the mounting option, the weight and EPA values of the mounting option, and the weight and EPA values of the fixture and accessories for your engineering calculations.

WMC1 - Wall Mounting Continuously Adjustable, 1.5 in to Optical Center

WMi1 - Wall Mounting Incrementally Adjustable By 6°, 1.5 in to Optical Center

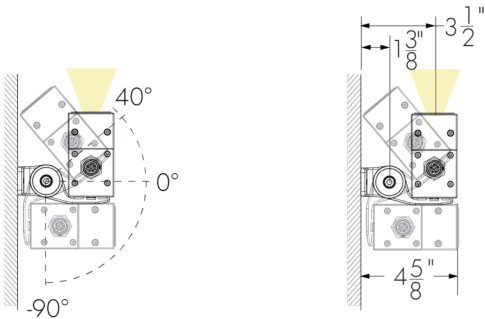


Weight of one WMC1/WMi1 Mounting Bracket: 0.62 lbs.

Weight of two WMC1/WMi1 Mounting Brackets: 1.23 lbs.

WMC3 - Wall Mounting Continuously Adjustable, 3.5 in to Optical Center

WMi3 - Wall Mounting Incrementally Adjustable by 6°, 3.5 in to Optical Center



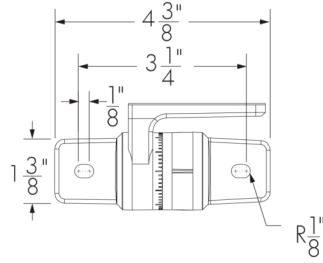
Weight of one WMC3/WMi3 Mounting Bracket: 0.62 lbs.

Weight of two WMC3/WMi3 Mounting Brackets: 1.23 lbs.

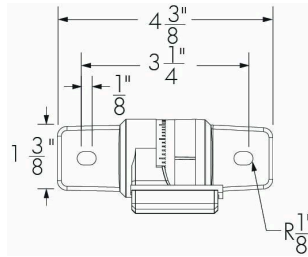
One mounting bracket provided for 12 in fixtures. Two mounting brackets provided for 24 in, 36 in and 48 in fixtures.

For proper hardware selection, use the dimensions of the mounting option, the weight and EPA values of the mounting option, and the weight and EPA values of the fixture and accessories for your engineering calculations.

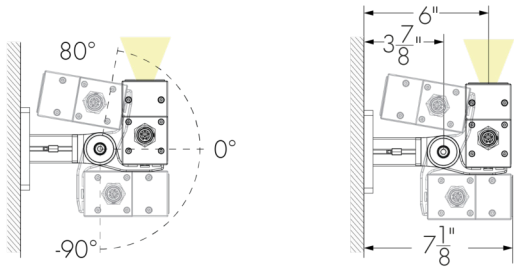
WMC1 WMi1 - Mounting Hole Pattern



WMC3 WMi3 - Mounting Hole Pattern



WMC6 - Wall Mounting Continuously Adjustable, 6 in to Optical Center
WMI6 - Wall Mounting Incrementally Adjustable by 6°, 6 in to Optical Center

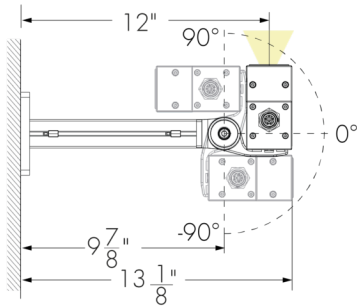


Weight of one WMC6/WMI6 Mounting Bracket: 1.21 lbs.
 Weight of two WMC6/WMI6 Mounting Brackets: 2.43 lbs.

WMC6 WMI6 - Mounting Hole Pattern

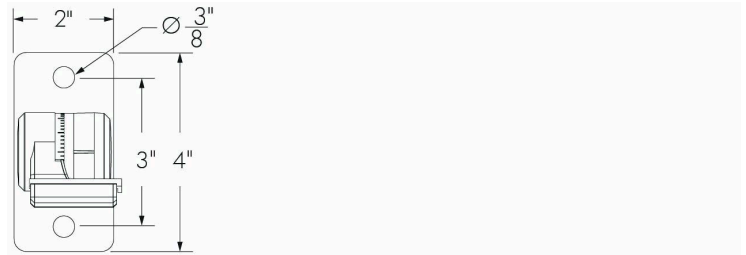


WMC12 - Wall Mounting Continuously Adjustable, 12 in to Optical Center
WMI12 - Wall Mounting Incrementally Adjustable by 6°, 12 in to Optical Center

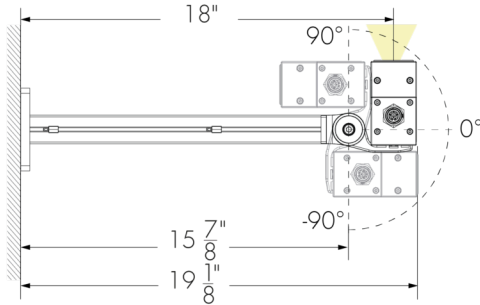


Weight of one WMC12/WMI12 Mounting Bracket: 1.72 lbs.
 Weight of two WMC12/WMI12 Mounting Brackets: 3.44 lbs.

WMC12 WMI12 - Mounting Hole Pattern



WMC18 - Wall Mounting Continuously Adjustable, 18 in to Optical Center
WMI18 - Wall Mounting Incrementally Adjustable by 6°, 18 in to Optical Center



Weight of one WMC18/WMI18 Mounting Bracket: 2.31 lbs.
 Weight of two WMC18/WMI18 Mounting Brackets: 4.63 lbs.

WMC18 WMI18 - Mounting Hole Pattern

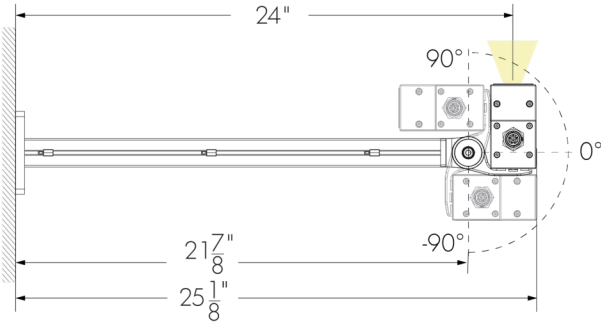


One mounting bracket provided for 12 in fixtures. Two mounting brackets provided for 24 in, 36 in and 48 in fixtures.

For proper hardware selection, use the dimensions of the mounting option, the weight and EPA values of the mounting option, and the weight and EPA values of the fixture and accessories for your engineering calculations.

WMC24 - Wall Mounting Continuously Adjustable, 24 in to Optical Center
WMI24 - Wall Mounting Incrementally Adjustable by 6°, 24 in to Optical Center

WMC24 WMI24 - Mounting Hole Pattern

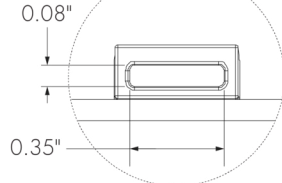
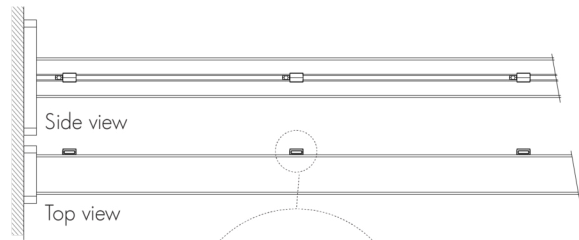


Weight of one WMC24/WMI24 Mounting Bracket: 2.87 lbs.
 Weight of two WMC24/WMI24 Mounting Brackets: 5.73 lbs.

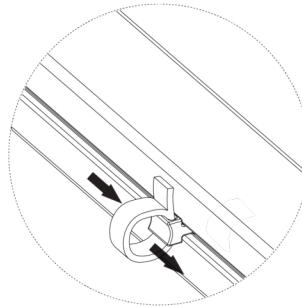
One mounting bracket provided for 12 in fixtures. Two mounting brackets provided for 24 in, 36 in and 48 in fixtures.

For proper hardware selection, use the dimensions of the mounting option, the weight and EPA values of the mounting option, and the weight and EPA values of the fixture and accessories for your engineering calculations.

Cable Management System for Wall Mounting Brackets



Cable Attachment Detail View



Cable tie as installed

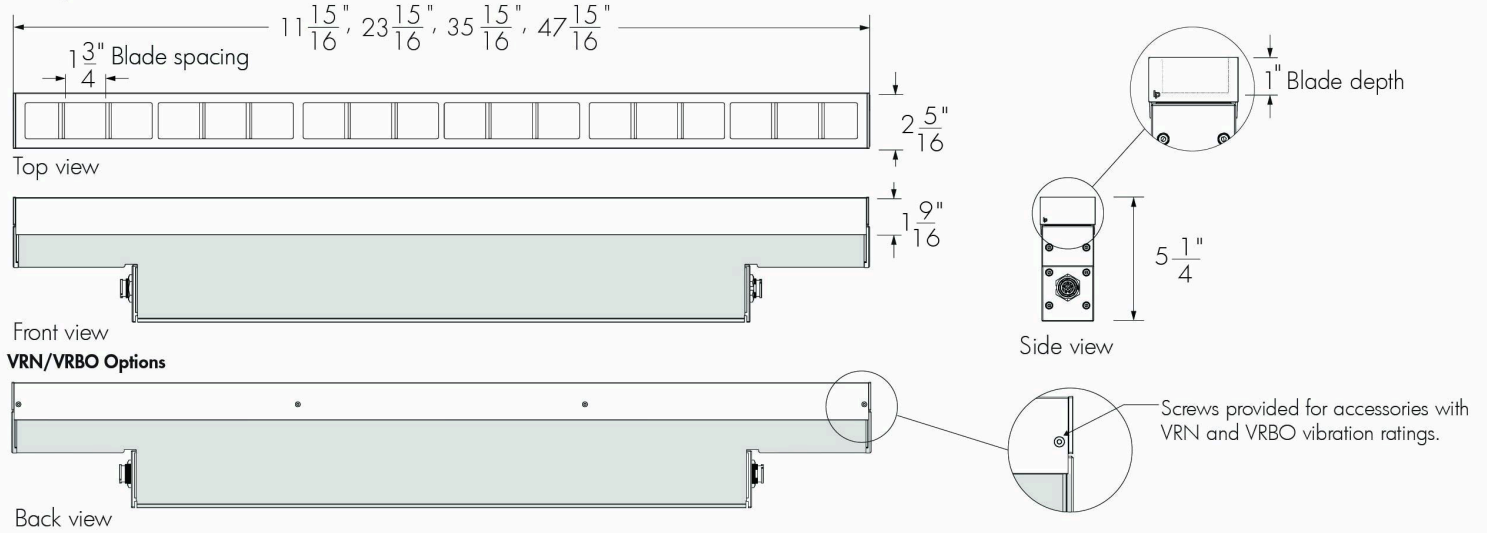
- 1 cable attachment provided for WMC6 and WMI6 mounting arms.
- 2 cable attachments provided for WMC12, WMI12, WMC18 and WMI18 mounting arms.
- 3 cable attachments provided for WMC24 and WMI24 mounting arms.

Maximum cable tie size: 0.35 in width, 0.08 in thickness.
 Cable ties for outdoor applications are recommended, provided by others.

Accessories

LV - Radial Louver

NVR Option

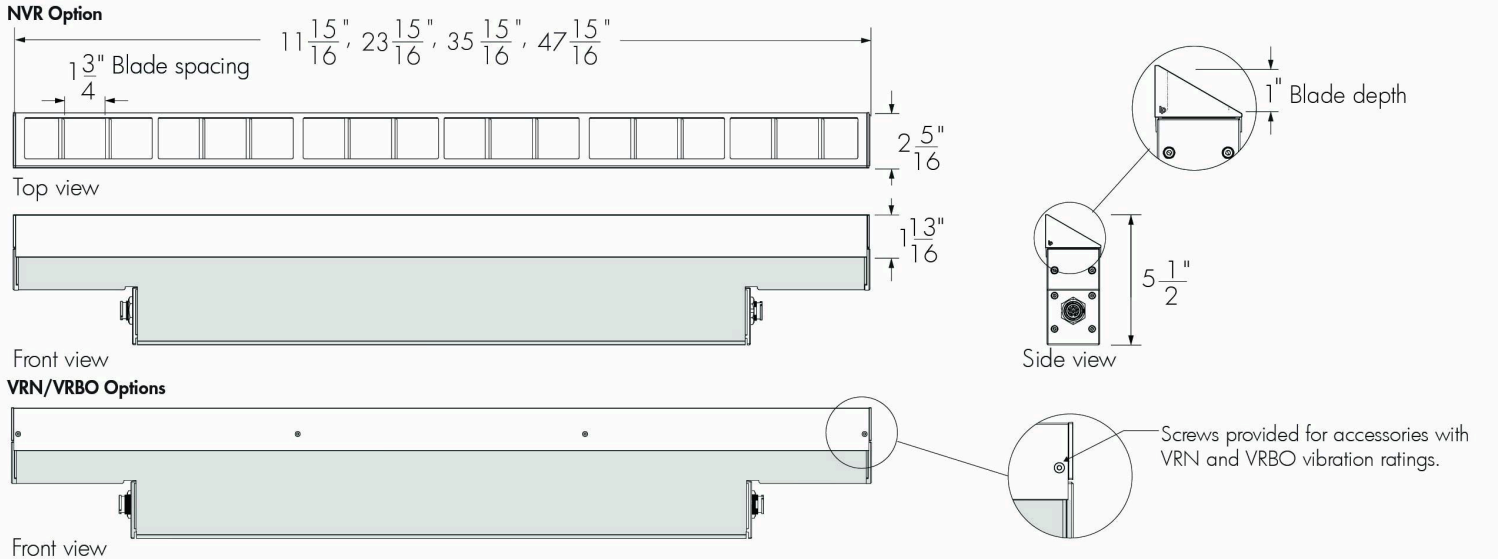


- A Radial Louver will affect beam distribution. Consult factory for application support.
- The Radial Louver is field installable. The Radial Louver can be combined with the Shield accessory; all other combinations are not possible.
- The exterior finish of the accessory will match the finish specified in the fixture order code (interior surface painted matte black).
- Not suitable for NAS, CAS and WW optics.
- Consult EPA Guide in the specification sheet for engineering calculations.

Weight of 12 in accessory: 0.65 lbs, and 24 in accessory: 1.25 lbs, weight of 36 in accessory: 1.75 lbs, weight of 48 in accessory: 2.3 lbs.

Note: the weight of the accessory is in addition to the weight of the fixture.

LVAS - Radial Louver Asymmetric

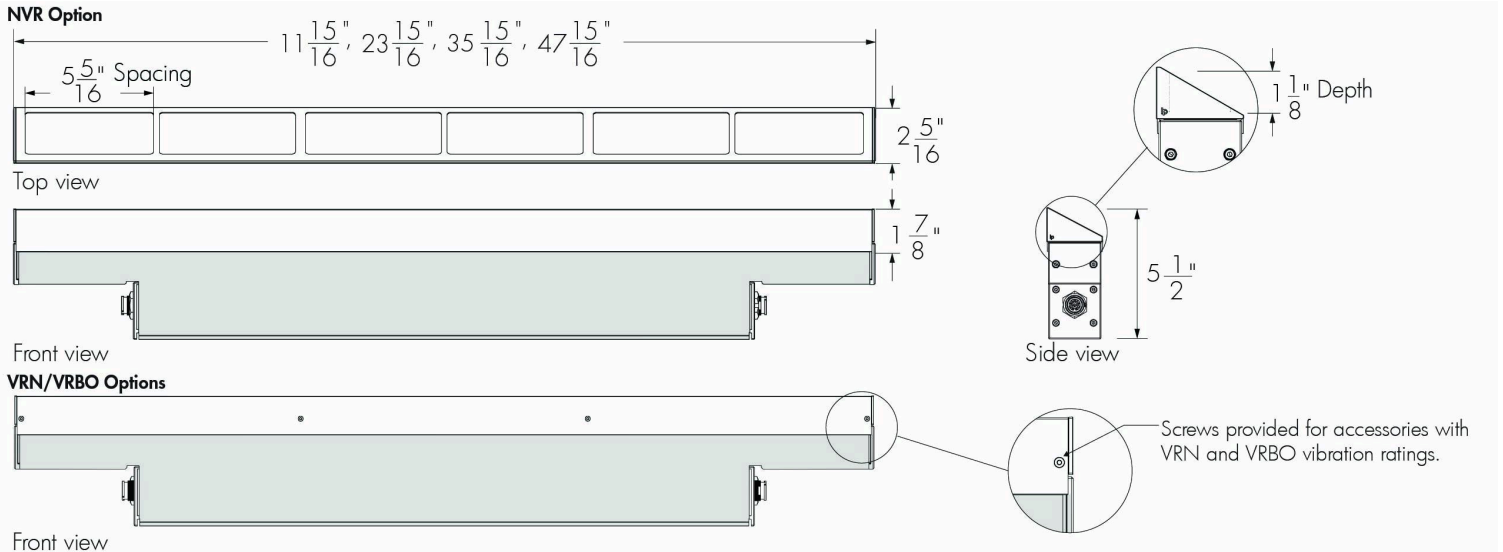


- A Radial Louver Asymmetric will affect beam distribution. Consult factory for application support.
- The Radial Louver Asymmetric is field installable. The Radial Louver Asymmetric can be combined with the Shield accessory; all other combinations are not possible.
- The exterior finish of the accessory will match the finish specified in the fixture order code (interior surface painted matte black).
- Consult EPA Guide in the specification sheet for engineering calculations.

Weight of 12 in accessory: 0.5 lbs, weight of 24 in accessory: 1 lbs, weight of 36 in accessory: 1.3 lbs, weight of 48 in accessory: 1.7 lbs.

Note: the weight of the accessory is in addition to the weight of the fixture.

VS - Visor

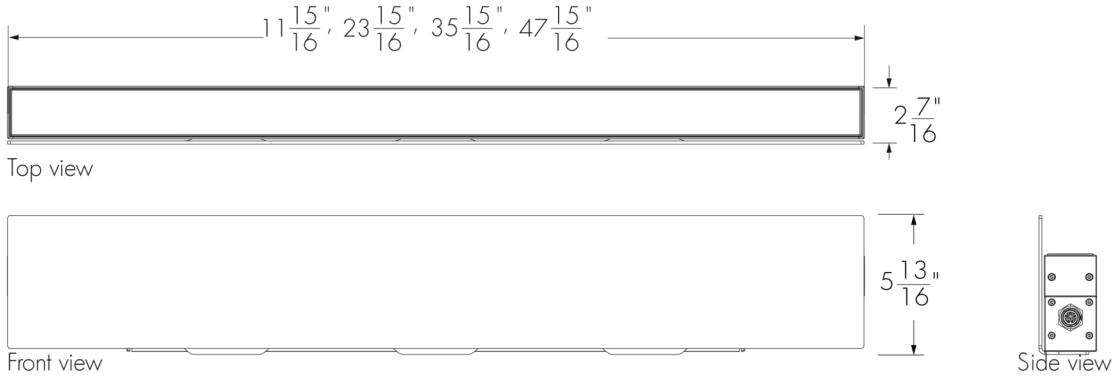


- A Visor will affect beam distribution. Consult factory for application support.
- The Visor is field installable. The Visor can be combined with the Shield accessory; all other combinations are not possible.
- The exterior finish of the accessory will match the finish specified in the fixture order code. The inside of the accessory will be painted matte black, except for the inside portion of the Visor end caps, which will match the finish specified in the fixture order code.
- Consult EPA Guide in the specification sheet for engineering calculations.

Weight of 12 in accessory: 0.4 lbs, weight of 24 in accessory: 0.8 lbs, weight of 36 in accessory: 1.2 lbs, weight of 48 in accessory: 1.5 lbs.

Note: the weight of the accessory is in addition to the weight of the fixture.

SH - Shield



- A Shield will affect beam distribution. Consult factory for application support.
- The Shield is field installable. The Shield can be combined with the Louver, Louver Asymmetric or Visor accessories.
- No vibration rating available. The Shield can be installed in zones with wind speeds up to 120 mph. Consult factory for zones with wind speeds higher than 120 mph.
- The exterior finish of the accessory will match the finish specified in the fixture order code (interior surface painted matte black).
- Consult EPA Guide in the specification sheet for engineering calculations.

Weight of 12 in accessory: 2.5 lbs, weight of 24 in accessory: 4.75 lbs, weight of 36 in accessory: 7.25 lbs, weight of 48 in accessory: 9.5 lbs.

Note: the weight of the accessory is in addition to the weight of the fixture.

Lens and Optics Combinations Table (22K, 27K, 30K, 35K, 40K)

Lens/Optics	8x8	10x10	10x30	10x60	10x90	30x30	30x60	30x90	60x60	90x90	30x10	60x10	60x30	90x10	W	NAS	WW	CAS
CL Clear Lens	✓	✓	✓	✓	✓	✓	✓	✓	✓	✓	✓	✓	✓	✓	✓	⊗	⊗	✓
HFR Half-Frosted Lens	✓	✓	✓	✓	✓	⊗	⊗	⊗	⊗	⊗	⊗	⊗	⊗	⊗	⊗	✓	✓	⊗
FR Frosted Lens	✓	✓	✓	✓	✓	✓	✓	✓	✓	✓	✓	✓	✓	✓	✓	✓	✓	✓

- ✓ Lens option
- ⊗ Not available

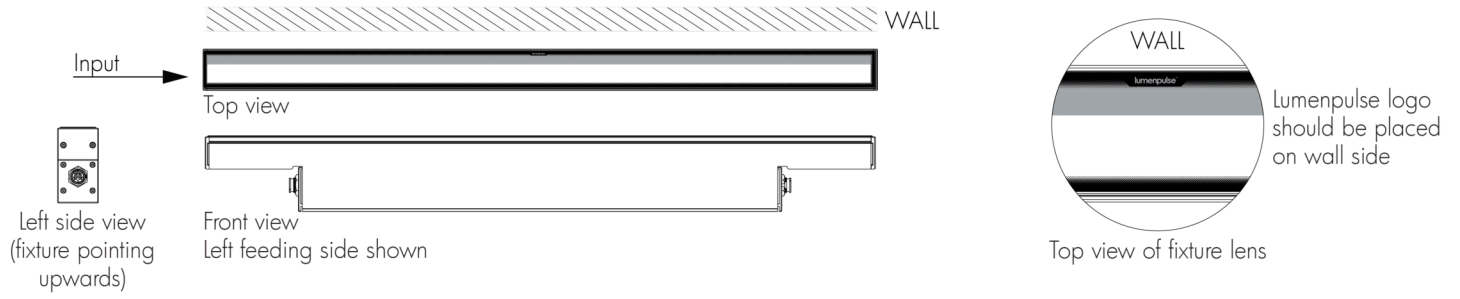
Lens and Optics Combinations Table (RD, GR, BL, AMB)

Lens/Optics	10x10	10x30	10x60	10x90	30x30	30x60	30x90	60x60	90x90	30x10	60x10	60x30	90x10	W	NAS	WW	CAS
CL Clear Lens	✓	✓	✓	✓	✓	✓	✓	✓	✓	✓	✓	✓	✓	✓	✓	⊗	✓
HFR Half-Frosted Lens	✓	✓	✓	✓	⊗	⊗	⊗	⊗	⊗	⊗	⊗	⊗	⊗	⊗	✓	✓	⊗
FR Frosted Lens	✓	✓	✓	✓	✓	✓	✓	✓	✓	✓	✓	✓	✓	✓	✓	✓	✓

- ✓ Lens option
- ⊗ Not available

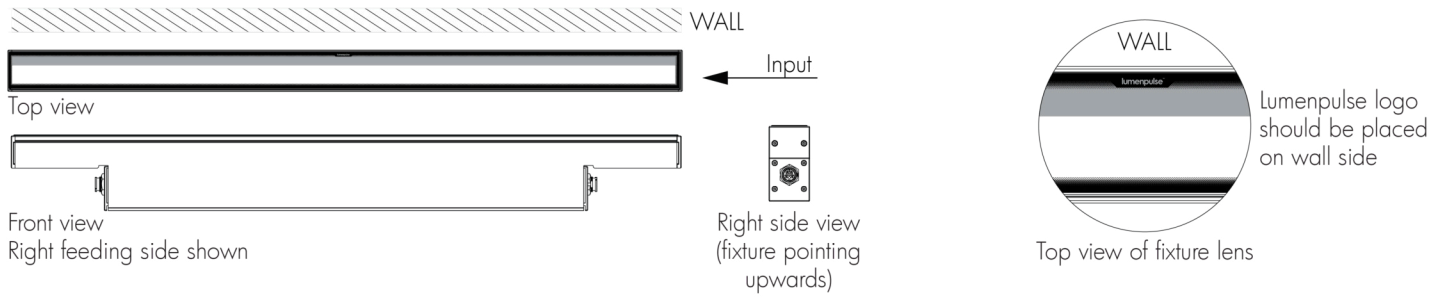
Half-Frosted Lens Details

Left Feeding Side



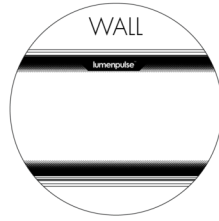
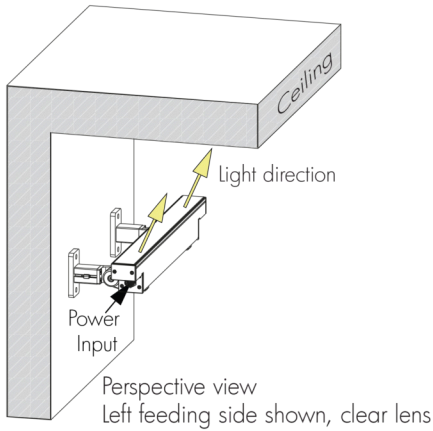
- Position frosted side of the lens and Lumenpulse logo along the wall.
- Fixture's feeding side is based on uplight installations. Feeding sides are reversed when fixture is used in a downlight application.

Right Feeding Side

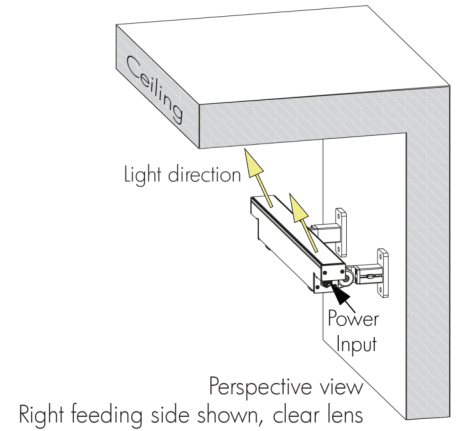


- Position frosted side of the lens and Lumenpulse logo along the wall.
- Fixture's feeding side is based on uplight installations. Feeding sides are reversed when fixture is used in a downlight application.

Ceiling Asymmetric Optic Details

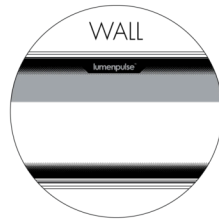
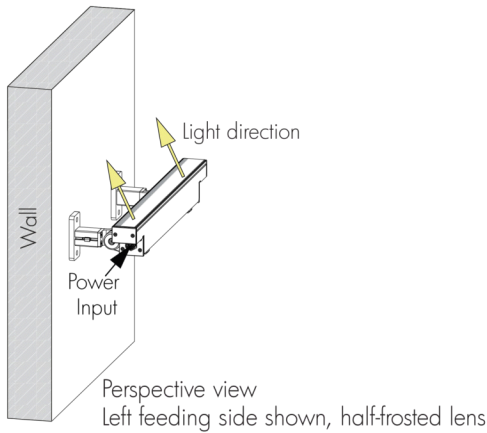


Lumenpulse logo should be placed on wall side

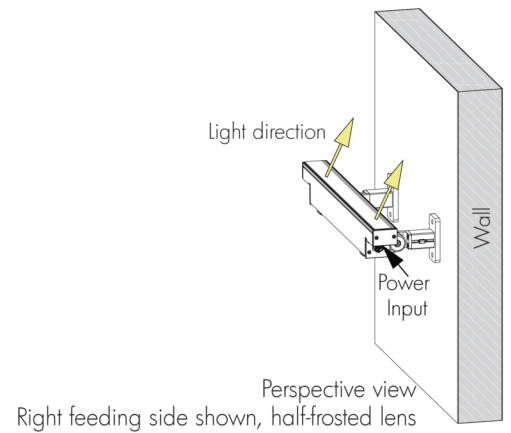


- Always position Lumenpulse logo on lens along the wall.
- Fixture's feeding side is based on uplight installations. Feeding sides are reversed when fixture is used in a downlight application.
- **Ceiling Asymmetric optic guidelines:** 18 in minimum setback, 1:5 setback/canopy depth ratio (based on CL lens).

Narrow Asymmetric and Asymmetric Wallwash Optics Details



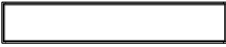


Lumenpulse logo should be placed on wall side



- Position frosted side of the lens and Lumenpulse logo along the wall.
- Fixture's feeding side is based on uplight installations. Feeding sides are reversed when fixture is used in a downlight application.
- **Narrow Asymmetric optic guidelines:** 12 in minimum setback, 1:10 setback ratio (based on HFR lens).
- **Asymmetric Wallwash optic guidelines:** 6 in minimum setback, 1:8 setback ratio (based on HFR lens).


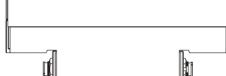

EPA Guide - Fixture

Fixture

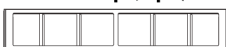


	12 in	24 in	36 in	48 in
EPA Top (sq ft) 	0.237	0.476	0.715	0.954
EPA Front (sq ft) 	0.339	0.784	1.124	1.569
EPA Side (sq ft) 	0.082	0.082	0.082	0.082

EPA Guide - Fixture with Accessory


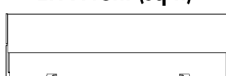

Fixture With Radial Louver Accessory

	12 in	24 in	36 in	48 in
EPA Top (sq ft) 	0.237	0.476	0.715	0.954
EPA Front (sq ft) 	0.464	1.036	1.503	2.075
EPA Side (sq ft) 	0.100	0.100	0.100	0.100


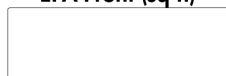

Fixture With Radial Louver Asymmetric Accessory

	12 in	24 in	36 in	48 in
EPA Top (sq ft) 	0.237	0.476	0.715	0.954
EPA Front (sq ft) 	0.476	1.060	1.539	2.123
EPA Side (sq ft) 	0.092	0.092	0.092	0.092

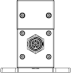


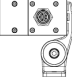
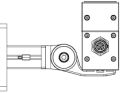
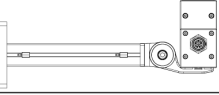
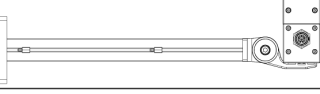

Fixture With Visor Accessory

	12 in	24 in	36 in	48 in
EPA Top (sq ft) 	0.237	0.476	0.715	0.954
EPA Front (sq ft) 	0.476	1.060	1.539	2.123
EPA Side (sq ft) 	0.092	0.092	0.092	0.092

Fixture With Shield Accessory

	12 in	24 in	36 in	48 in
EPA Top (sq ft) 	0.237	0.476	0.715	0.954
EPA Front (sq ft) 	0.926	1.859	2.791	3.723
EPA Side (sq ft) 	0.082	0.082	0.082	0.082

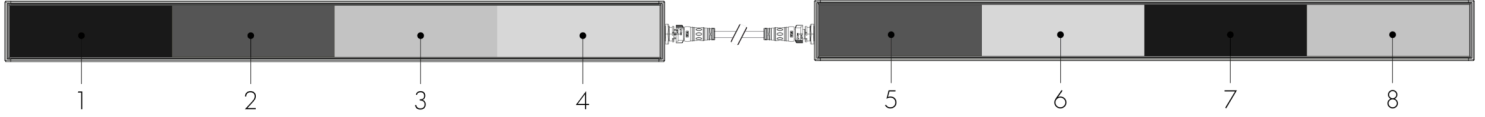
EPA Guide - Mounting Option

EPA Top/Side (sq ft)		
FX	N/A	
SM	0.01	
WMC1 WMi1	0.05	
WMC3 WMi3	0.04	
WMC6 WMi6	0.06	
WMC12 WMi12	0.14	
WMC18 WMi18	0.21	
WMC24 WMi24	0.29	

Resolution Details

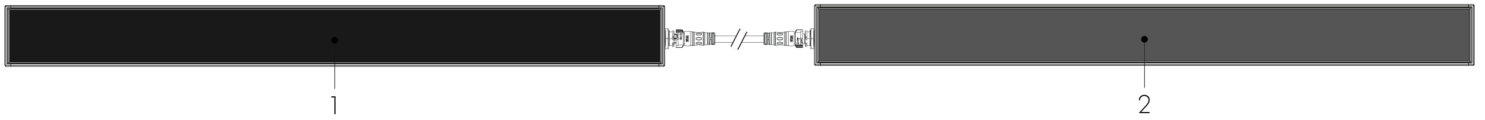
DMX/RDM Control, Resolution Per Foot: Each 12 in Section is Addressed Independently

DMX Addresses:



DMX/RDM Control, Resolution Per Fixture: Each Fixture is Addressed Independently

DMX Addresses:



- 48 in fixtures shown.
- Applicable for DMX/RDM control option only. Fixture resolution can be configured on-site within the LumenID V3 software. A DMX/RDM enabled CBX is required.

Wiring Color Code

NO, DIM, DALI and LT Control (XC3P2D)

UL Color Code	Use
Green	Ground
Black	Line
White	Neutral
Purple	0-10V + / Data +
Orange	0-10V - / Data -

DMX/RDM and ExtendX Controls (XC3P3D)

UL Color Code	Use
Green	Ground
Black	Line
White	Neutral
Red	Data +
Orange	Data -
Gray	Signal Common

Maximum Fixture Run Length Table

On/Off Control (NO)

Lumenfacade Max 6W/ft

Voltage	120V	220V	240V	277V
Maximum Run of Fixtures	160ft	408ft	444ft	512ft

Lumenfacade Max 10W/ft

Voltage	120V	220V	240V	277V
Maximum Run of Fixtures	120ft	260ft	280ft	324ft

Lumenfacade Max 22W/ft

Voltage	120V	220V	240V	277V
Maximum Run of Fixtures	64ft	124ft	132ft	156ft

Based on 48 in fixtures, NO (on/off) control, 10 ft Leader Cable for an end-to-end run with 1 ft Jumper Cables between fixtures. Refer to Typical Wiring Diagrams for Control Protocol specific run length rules.

DMX/RDM Control (DMX/RDM)

Lumenfacade Max 6W/ft

Voltage	Resolution	120V	220V	240V	277V
Maximum Fixture Run Length	Per Foot	160ft	256ft	256ft	256ft

Lumenfacade Max 10W/ft

Voltage	Resolution	120V	220V	240V	277V
Maximum Fixture Run Length	Per Foot	120ft	256ft	256ft	256ft

Lumenfacade Max 22W/ft

Voltage	Resolution	120V	220V	240V	277V
Maximum Fixture Run Length	Per Foot	64ft	124ft	132ft	156ft

Based on 48 in fixtures, per foot resolution, DMX/RDM control, 10 ft Leader Cable for an end-to-end run with 1 ft Jumper Cables between fixtures. Refer to Typical Wiring Diagrams for Control Protocol specific run length rules.

ExtendX Control (ETX)

Lumenfacade Max 6W/ft

Voltage	Resolution	120V	220V	240V	277V
Maximum Fixture Run Length	Per Foot	184ft	424ft	464ft	512ft

Lumenfacade Max 10W/ft

Voltage	Resolution	120V	220V	240V	277V
Maximum Fixture Run Length	Per Foot	144ft	264ft	288ft	336ft

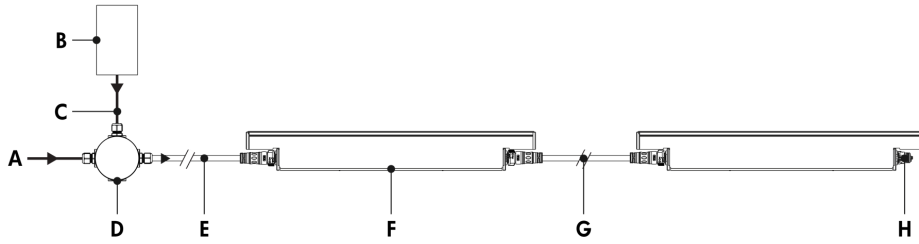
Lumenfacade Max 22W/ft

Voltage	Resolution	120V	220V	240V	277V
Maximum Fixture Run Length	Per Foot	68ft	124ft	136ft	156ft

Based on 48 in fixtures, per foot resolution, ETX control, 10 ft Leader Cable for an end-to-end run with 1 ft Jumper Cables between fixtures. Refer to Typical Wiring Diagrams for Control Protocol specific run length rules.

Typical Wiring Diagrams

NO - On/Off Control, DIM - 0-10V Dimming and DALI - DALI 2 T6 Control



- A** - Power input (120 to 277V, wiring by others)
- B** - Dimmer/controller (for DIM and DALI control options, by others)
- C** - Data input (for DIM and DALI control options, wiring by others)
- D** - Junction box (by others)
- E** - Leader Cable (LFLC XC3P2D)
- F** - Lumenfacade Max Continuous Run (LFM-CR)
- G** - Sealing End Cap

Consult factory for specific applications and maximum fixture count/cable length recommendations.

DIM Control:

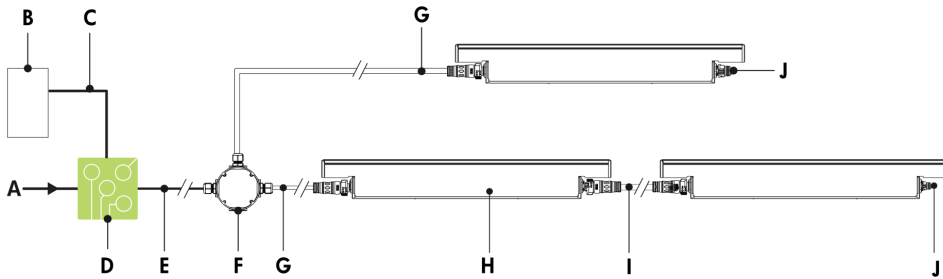
- 0-10V mA ratings: passive dimmer (Current Sink): 3mA per fixture, active dimmer (Current Source): 0.5mA per fixture.
- Less than 1% minimum dimming value

DALI Control:

- 64 DALI addressable device limitation (each fixture is an addressable device).
- DALI does not allow for control by foot, only by fixture.
- Commissioning may be required based on the selection of 3rd party DALI controller. Controller and commissioning provided by others.
- Less than 1% minimum dimming value.

Refer to installation instructions for additional wiring details and wiring diagram with Lumenfacade T-Junction accessory.

Lumentalk (LT)

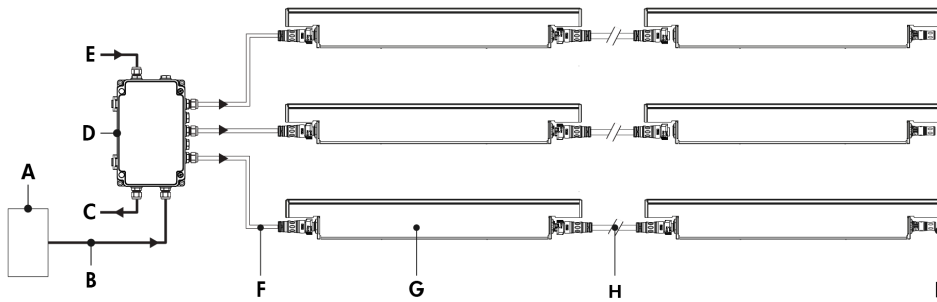


- A** - Power input (120 to 277V, wiring by others)
- B** - Dimmer/controller (order separately from Lumenpulse, or by others)
- C** - Data wiring (by others)
- D** - Lumentranslator 2 (LTL2-DIM, -DMX, -TRIAC, -DALI)
- E** - Power wiring (by others)
- F** - Junction box (by others)
- G** - Leader Cable (LFLC XC3P2D)
- H** - Lumenfacade Max Continuous Run LFM-CR
- I** - Jumper Cable (LFJC XC3P2D)
- J** - Sealing End Cap

Refer to installation instructions for additional wiring details and wiring diagram with Lumenfacade T-Junction accessory.

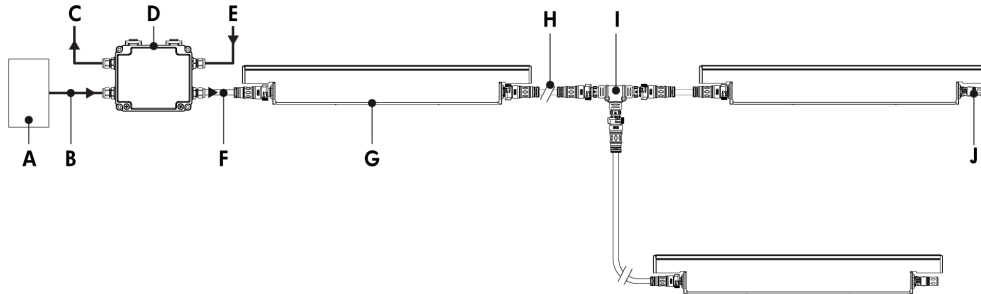
- Consult factory for specific applications and maximum fixture count/cable length recommendations.
- For DMX applications: 1 DMX controller per Lumentalk network, maximum of 48 DMX channels per Lumentalk network (minimum step transition update rate is 1 second, minimum fade time between two colors is 1 minute). Consult factory for applications that require additional capabilities.
- Maximum of 1 transmitter (Lumentranslator or Lumenlink) per system.
- No third-party fixtures allowed on the same circuit.
- Consult factory for DALI Lumentalk applications.

Star Layout (DMX/RDM)



- A** - Third-party DMX/RDM controller
- B** - Data input (Belden 9841 or equivalent, by others)
- C** - Data output to next CBX (optional, not isolated/not boosted)
- D** - CBX-ST
- E** - Power input (120 to 277V, wiring by others)
- F** - Leader Cable (LFLC XC3P3D)
- G** - Lumenfacade Max Continuous Run (LFM-CR)
- H** - Jumper Cable (LFJC XC3P3D)
- I** - DMX/RDM Terminator

Daisy Chain Layout (DMX/RDM)

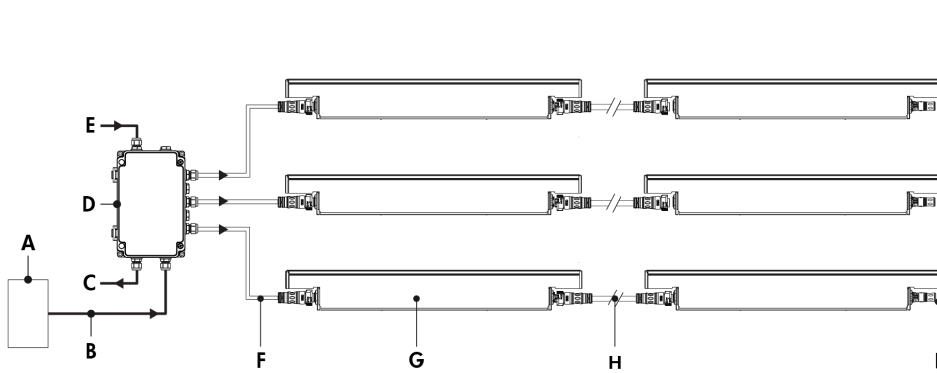


- A** - Third-party DMX/RDM controller
- B** - Data input (Belden 9841 or equivalent, by others)
- C** - Data output to next CBX (optional, not isolated/not boosted)
- D** - CBX-DS
- E** - Power input (120 to 277V, wiring by others)
- F** - Leader Cable (LFLC XC3P3D)
- G** - Lumenfacade Max Continuous Run (LFM-CR)
- H** - Jumper Cable (LFJC XC3P3D)
- I** - Lumenfacade T-Junction (LFTJ XC3P3D, optional)
- J** - DMX/RDM Terminator

Refer to installation instructions for additional wiring details.

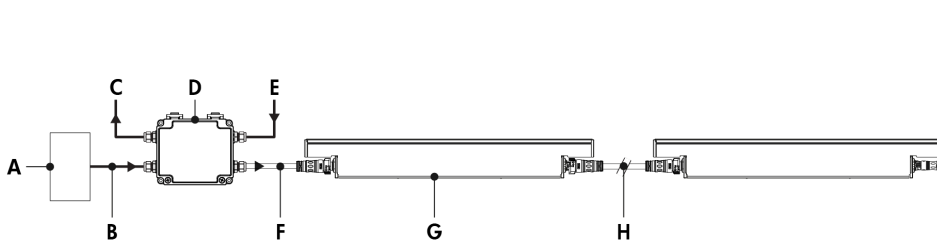
- Consult CBX installation instructions for additional wiring details.
- 50 ft maximum DMX/RDM "Stub" length.
- Maximum of 1 fixture per "Stub".
- 1 DMX universe = 512 @ 1-channel controllable segments.
- Maximum of 4 DMX/RDM repeaters/CBX cascading in line.
- Maximum of 6 outputs per CBX-ST; maximum of 1 output per CBX-DS.
- Maximum of 64 DMX/RDM enabled fixtures per CBX output.
- Maximum DMX/RDM cable length of 800 ft ("Bus" and "Stubs").

Star Layout (ExtendX)



- A** - Third-party sACN/ArtNet controller
- B** - Data input (Cat5e or better, by others)
- C** - Optional Ethernet connection to next CBX
- D** - CBX-ST-ETX
- E** - Power input (120 to 277V, wiring by others)
- F** - Leader Cable (LFLC XC3P3D)
- G** - Lumenfacade Max Continuous Run (LFM-CR)
- H** - Jumper Cable (LFJC XC3P3D)
- I** - DMX/RDM Terminator

Daisy Chain Layout (ExtendX)



- A** - Third-party sACN/ArtNet controller
- B** - Data input (Cat5e or better, by others)
- C** - Optional Ethernet connection to next CBX
- D** - CBX-DS-ETX
- E** - Power input (120 to 277V, wiring by others)
- F** - Leader Cable (LFLC XC3P3D)
- G** - Lumenfacade Max Continuous Run (LFM-CR)
- H** - Jumper Cable (LFJC XC3P3D)
- I** - DMX/RDM Terminator

Refer to installation instructions for additional wiring details.

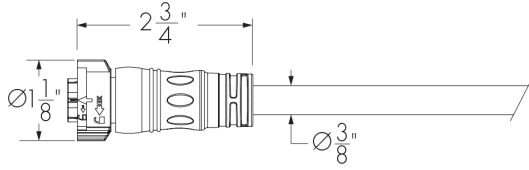
Maximum of 4 outputs per CBX-ST ENET; maximum of 1 output per CBX-DS ENET.

Consult CBX installation instructions for additional wiring details.

Lumenfacade T-Junction accessory is not compatible with ExtendX Control.

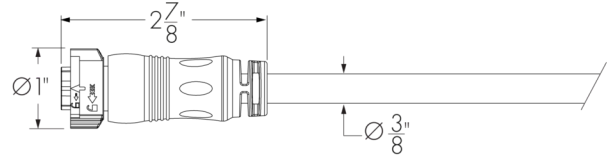
Leader Cable (Order Separately)

LFLC - Lumenfacade Leader Cable (XC3P2D)



UL version shown. Consult European specification sheet for CE cable details.

LFLC - Lumenfacade Leader Cable (XC3P3D)



UL version shown. Consult European specification sheet for CE cable details.

LFLC-TYPE-CERTIFICATION-VOLTAGE-LENGTH-CONNECTOR/CABLE TYPE-CONNECTOR SHAPE-CABLE/CONNECTOR COLOR

Please specify:

NO, DIM, DALI, LT applications:

TYPE: CR/CH (Continuous Run or Continuous Horizontal); **CERTIFICATION:** UL or CE; **VOLTAGE:** 120_277; **LENGTH:** 10 ft, 25 ft, 50 ft, 100 ft, 150 ft or 200 ft;

CONNECTOR/CABLE TYPE: XC3P2D (5x 16AWG X-lock size); **CONNECTOR SHAPE:** 180D (Straight Connector); **CABLE/CONNECTOR COLOR:** BK (Black) or WH (White) (connectors are the same color as the specified cable color).

A waterproof sealing end cap is mandatory for any unused connector. One (1) included with every CR/CH XC3P2D Leader Cable.

DMX/RDM applications:

TYPE: CR/CH (Continuous Run or Continuous Horizontal); **CERTIFICATION:** UL or CE; **VOLTAGE:** 120_277; **LENGTH:** 10 ft, 25 ft, 50 ft, 100 ft, 150 ft or 200 ft;

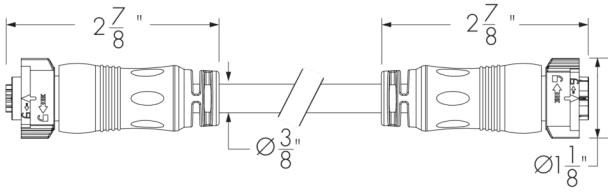
CONNECTOR/CABLE TYPE: XC3P3D (3x1 4AWG + 3x24AWG X-lock C-size); **CONNECTOR SHAPE:** 180D (Straight Connector) or 90D (90° Angle Connector); **CABLE/CONNECTOR COLOR:** BK (Black) or WH (White) (connectors are the same color as the specified cable color).

A DMX/RDM terminator is mandatory at the end of a fixture run. One (1) included with every CR/CH XC3P3D Leader Cable.

- Consult Lumenfacade Leader cable specification sheet for all available cable lengths and additional information.

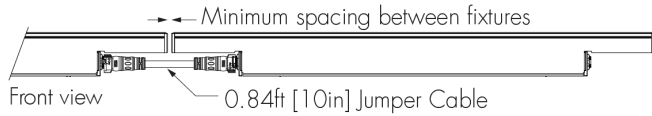
Jumper Cable (Order Separately)

LFJC - Lumenfacade Jumper Cable (XC3P2D)

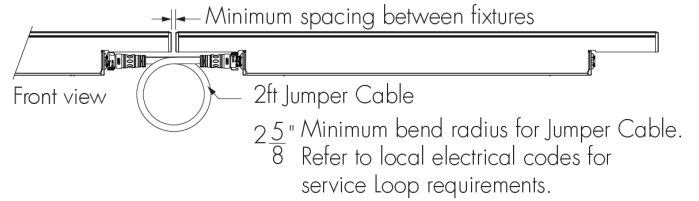


UL version shown. Consult European specification sheet for CE cable details.

Installation with No Cable Loop



Installation with Cable Loop



Straight Cable/No Cable Loop (0.84 ft Jumper Cable)

Minimum Spacing Between Fixtures

		Fixture A Length			
		12 in	24 in	36 in	48 in
Fixture B Length	12 in	5.3in Fixture Gap		2.75in Fixture Gap	
	24 in	5.3in Fixture Gap		2.75in Fixture Gap	
Fixture B Length	36 in	2.75in Fixture Gap		End-to-End*	
	48 in	2.75in Fixture Gap		0.375in Fixture Gap	

Cable Loop (2 ft Jumper Cable)

Minimum Spacing Between Fixtures

		Fixture A Length			
		12 in	24 in	36 in	48 in
Fixture B Length	12 in	2.75in Fixture Gap		End-to-End*	
	24 in	2.75in Fixture Gap		0.375in Fixture Gap	
Fixture B Length	36 in	End-to-End*		End-to-End*	
	48 in	0.375in Fixture Gap		0.375in Fixture Gap	

* When using 36 in and 48 in fixtures in End-to-End applications, fixtures must be spaced exactly 0.375 in apart to ensure proper connection. Due to fixture construction and the lack of adjustment in the Jumper Cable, failure to comply with this spacing will result in a non-suitable jumper cable length and a non-continuous run.

* If using an End-to-End Cable, plan mounting bracket spacing to accommodate 0.375 in spacing between fixtures.

LFJC-CERTIFICATION-VOLTAGE-LENGTH-CONNECTOR/CABLE TYPE-CONNECTOR SHAPE-CABLE/CONNECTOR COLOR

Please specify:

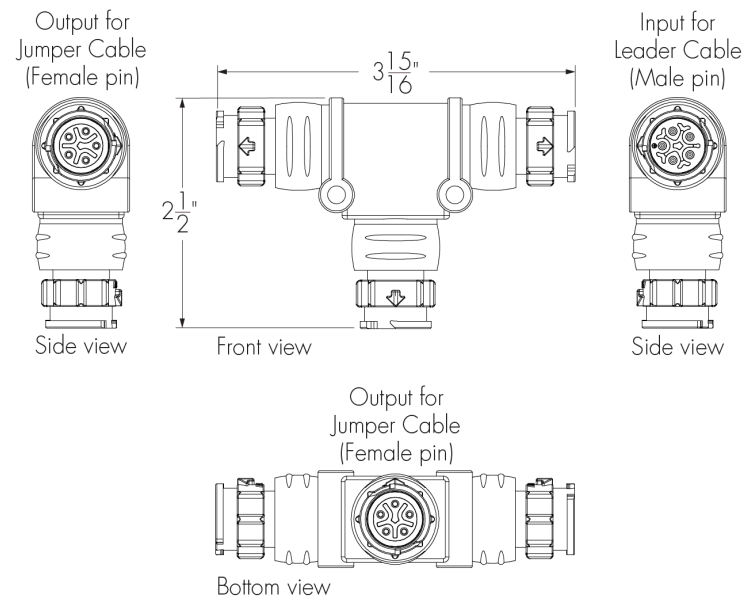
CERTIFICATION: UL or CE; **VOLTAGE:** 120_277; **LENGTH:** 0.84 ft, 2 ft, 5 ft, 10 ft, 25 ft or 50 ft; **CONNECTOR/CABLE TYPE:** XC3P2D (5x 16AWG X-lock size) or XC3P3D (3x14AWG + 3x24AWG X-lock C-size); **CONNECTOR SHAPE:** 180D (straight connector); **CABLE/CONNECTOR COLOR:** BK (Black) or WH (White) (connectors are the same color as the specified cable color).

- Suitable for dimming/data and non-dimming applications.
- Consult Lumenfacade Jumper Cable specification sheet for additional information.

T-Junction (Order Separately)

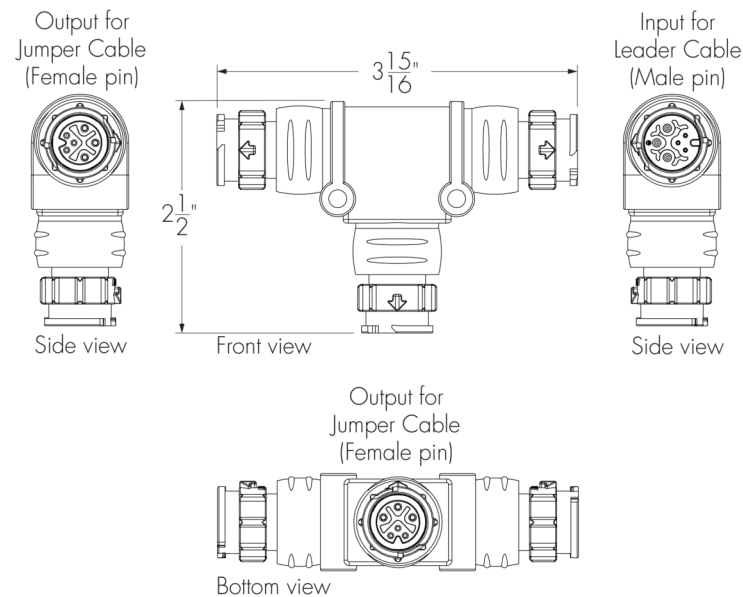
LFTJ - Lumenfacade T-Junction (XC3P2D)

Available For NO, DIM, DALI and LT Control Options Only



LFTJ - Lumenfacade T-Junction (XC3P3D)

Available for DMX/RDM Control Option Only



LFTJ-CONNECTOR/CABLE TYPE-CABLE/CONNECTOR COLOR

Please specify:

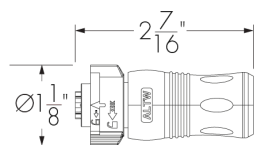
CONNECTOR/CABLE TYPE: XC3P2D (5x 16AWG X-lock size) or XC3P3D (3x 14AWG + 3x24AWG) X-lock size; **CABLE/CONNECTOR COLOR:** BK (Black) or WH (White).

- Suitable for dimming/data and non-dimming applications with LFM fixtures.
- Consult factory for guidelines on the use of T-Junctions in a fixture run.
- Consult Lumenfacade T-Junction specification sheet for additional information.
- The T-Junction accessory can be used to connect a feed input, with a throughput to a localized run of fixtures and an output to the rest of your installation.
- Waterproof sealing end cap is mandatory for any unused connector. One (1) included with every T-Junction accessory.
- For DMX/RDM applications, an installation must not exceed 64 fixtures and 800 ft of cable. Additionally, each stub must not exceed 50 ft.

Lumenfacade T-Junction accessory is not compatible with ExtendX Control.

DMX/RDM Terminator (Included with Leader Cable)

148161 (Black) or 150394 (White) - DMX/RDM Terminator



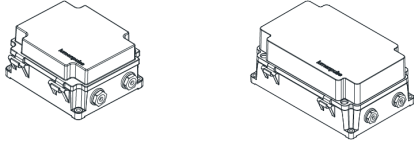
DMX/RDM terminator is mandatory at the end of a fixture run with T-junction for DMX/RDM applications

Please specify:

148161: Black (BK) or **150394:** White (WH)

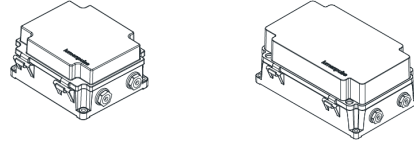
Control Boxes (Order Separately)

CBX-DMX/RDM - DMX/RDM Enabled (Daisy Chain or Star Configuration)



DMX/RDM control box. Up to six power and data outputs to fixtures or fixture runs. Consult CBX specification sheet and installation instructions for details. Lumenterminators provided with CBX (2x for Daisy Chain configuration, 6x for Star configuration), consult factory to order spares.

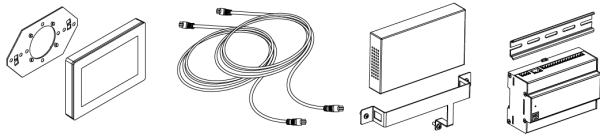
CBX-ENET - Ethernet Enabled (Daisy Chain or Star Configuration)



Ethernet control box. Up to four power and data outputs to fixture or fixture runs. Consult Ethernet CBX specification sheet and installation instructions for details.

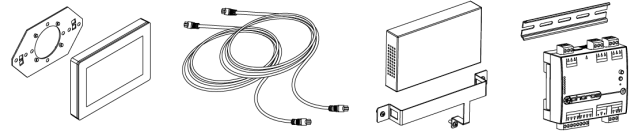
Control Systems (Order Separately)

PHAROS - Pharos® Designer Lighting Control Kit



The Pharos Designer Lighting Control Kit, available for 1 or 2 DMX universes, allows for complete control of large lighting installations.

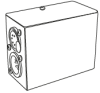
EXPERT - Pharos® Express Control Kit



The Pharos Expert Control Kit, available for 1, 2, 4 or 6 DMX universes, allows for complete control of large lighting installations.

Diagnostic And Addressing Tools (Order Separately)

LID - LumenID



The updated LumenID (LID) is an all-in-one diagnostic and addressing solution for both DMX/RDM and Lumentalk (LT) systems. Engineered for versatility, it streamlines commissioning and troubleshooting across protocols—no need for multiple tools. Cable option may vary; please consult factory. For complete details, refer to the LID specification sheet.

How to Order

Housing	Type	Certification	Voltage	Length	Wattage	Color and Color Temperature	Color Rendering ⁽¹¹⁾	Optic	Lens				
LFM Lumenfacade Max	CR Continuous Run	UL UL Compliant ⁽¹⁾	120_277 120 Volts to 277 Volts ⁽⁴⁾	12 12 in	6W 6 W/ft ⁽⁹⁾ ⁽¹⁰⁾	22K 2200K	80 CRI 80+ ⁽¹⁴⁾	8x8 8° x 8° ⁽¹¹⁾ ⁽¹⁵⁾	CL Clear Lens ⁽²⁰⁾				
			CE CE Compliant (Class I) ⁽²⁾	230 220 to 240 volts ⁽⁷⁾	24 24 in	10W 10 W/ft		27K 2700K		10x10 10° x 10° ⁽¹⁵⁾	HFR Half-Frosted Lens ⁽²¹⁾		
				PSE PSE Certification ⁽³⁾ ⁽⁴⁾ ⁽⁵⁾	100_200 100 to 200 volts (PSE Certification) ⁽⁸⁾	36 36 in		22W 22 W/ft ⁽¹¹⁾		30K 3000K	10x30 10° x 30°	FR Frosted Lens ⁽²²⁾	
		48 48 in	35K 3500K		40K 4000K	RD Red ⁽¹²⁾ ⁽¹³⁾		10x60 10° x 60°		30x30 30° x 30° ⁽¹⁶⁾			
						GR Green ⁽¹²⁾ ⁽¹³⁾		10x90 10° x 90°					
						BL Blue ⁽¹²⁾ ⁽¹³⁾		30x60 30° x 60° ⁽¹⁶⁾					
		AMB Phosphor Converted Amber (PC Amber) ⁽¹²⁾ ⁽¹³⁾	60x60 60° x 60° ⁽¹⁶⁾		30x90 30° x 90° ⁽¹⁶⁾	90x90 90° x 90° ⁽¹⁶⁾		30x10 30° x 10° ⁽¹⁶⁾		60x10 60° x 10° ⁽¹⁶⁾	60x30 60° x 30° ⁽¹⁶⁾		
												90x10 90° x 10° ⁽¹⁶⁾	W Wide 120° ⁽¹⁶⁾
		WW Asymmetric Wallwash ⁽¹⁹⁾	CAS Ceiling Asymmetric ⁽¹⁶⁾										

Notes:

1. Available for 120_277 voltage option only.
2. Available for 230 voltage option only.
3. Available for the Japanese market only.
4. Available for 100_200V voltage option only.
5. Consult your local Sales Representative for PSE certification.
6. Available for UL certification only.
7. Available for CE certification only.
8. Available for PSE Certification only.
9. Consult factory for applications with 12 in fixtures.
10. Consult factory for applications with PSE Certification.
11. Available for 22K, 27K, 30K, 35K and 40K color temperatures only.
12. Available for 10x10, 10x30, 10x60, 10x90, 30x30, 30x60, 30x90, 60x60, 90x90, 30x10, 60x10, 60x30, 90x10, W, NAS, WW and CAS optics only.
13. Available for 6 W/ft and 10 W/ft versions only.
14. Consult factory for CRI 90+.
15. For best results use a minimum 3 in setback from surface. Contact factory for application support.
16. Can be combined with a CL or FR lens only.
17. Can be combined with a HFR or FR lens only for 22K, 27K, 30K, 35K and 40K color temperature options only.
18. Can be combined with a CL, HFR or FR lens for RD, GR, BL, AMB static colors.
19. Can be combined with a HFR or FR lens only.
20. When CL lens is combined with NAS or CAS optic, LF or RF feeding side must be specified.
21. When HFR lens is specified, LF or RF feeding side must be specified.
22. When FR lens is combined with WW, NAS or CAS optic, LF or RF feeding side must be specified.

How to Order

--	--	--	--	--	--	--	--

Feeding Side	Control	Vibration Rating ⁽²⁹⁾	Mounting Options ⁽³⁶⁾	Environment	Finish	Accessories ⁽⁴⁸⁾ ⁽⁴⁹⁾	Buy America.n Act
NF No Feed Information Required LF Left Feeding Side RF Right Feeding Side	NO On/Off Control DIM 0-10V Dimming ⁽²³⁾ DALI DALI 2 T6 Enabled Dimming 0.1% ⁽²³⁾ ⁽²⁴⁾ LT Lumentalk ⁽²³⁾ ⁽²⁵⁾ DMX/RDM DMX/RDM Enabled Dimming ⁽²³⁾ ⁽²⁶⁾ ETX ExtendXTM ⁽²³⁾ ⁽²⁷⁾ ⁽²⁸⁾	NVR Buildings and Fixed Structures ⁽³⁰⁾ VRN Pole-Mounts ⁽³¹⁾ ⁽³²⁾ ⁽³³⁾ VRBO Bridges and Overpasses ⁽³⁴⁾ ⁽³⁵⁾	SM Slim Adjustable Mounting Continuously Adjustable (110° Pivot Limit) ⁽³⁷⁾ ⁽³⁸⁾ FX Fixed Mounting (0° Pivot Limit) ⁽³⁹⁾ WMC1 Wall Mounting Continuously Adjustable, 1.5 in to Optical Center (180° Pivot Limit) ⁽³⁸⁾ ⁽⁴⁰⁾ WMI1 Wall Mounting Incrementally Adjustable by 6°, 1.5 in to Optical Center (180° Pivot Limit) ⁽³⁹⁾ WMC3 Wall Mounting Continuously Adjustable, 3.5 in to Optical Center (130° Pivot Limit) ⁽³⁸⁾ ⁽⁴⁰⁾ WMI3 Wall Mounting Incrementally Adjustable by 6°, 3.5 in to Optical Center (130° Pivot Limit) ⁽³⁹⁾ WMC6 Wall Mounting Continuously Adjustable, 6 in to Optical Center (170° Pivot Limit) ⁽³⁸⁾ ⁽⁴¹⁾ WMI6 Wall Mounting Incrementally Adjustable by 6°, 6 in to Optical Center (170° Pivot Limit) ⁽⁴²⁾ WMC12 Wall Mounting Continuously Adjustable, 12 in to Optical Center (180° Pivot Limit) ⁽³⁸⁾ ⁽⁴¹⁾ WMI12 Wall Mounting Incrementally Adjustable by 6°, 12 in to Optical Center (180° Pivot Limit) ⁽⁴²⁾ WMC18 Wall Mounting Continuously Adjustable, 18 in to Optical Center (180° Pivot Limit) ⁽³⁸⁾ ⁽⁴¹⁾ WMI18 Wall Mounting Incrementally Adjustable by 6°, 18 in to Optical Center (180° Pivot Limit) ⁽⁴²⁾ WMC24 Wall Mounting Continuously Adjustable, 24 in to Optical Center (180° Pivot Limit) ⁽³⁸⁾ ⁽⁴¹⁾ WMI24 Wall Mounting Incrementally Adjustable by 6°, 24 in to Optical Center (180° Pivot Limit) ⁽⁴²⁾	XD Extra durable multi-step finish ⁽⁴³⁾ ⁽⁴⁴⁾	BK Black Sandtex® BRZ Bronze Sandtex® SI Silver Sandtex® WH Smooth White BKTX Textured Black BRZTX Textured Bronze Non-Metallic GRATX Textured Medium Gray GRNTX Textured Green WHTX Textured White CC Custom Color & Finish ⁽⁴⁵⁾ ⁽⁴⁶⁾ ⁽⁴⁷⁾	NA No Accessory LV Radial Louver ⁽⁵⁰⁾ LVAS Radial Louver Asymmetric VS Visor SH Shield ⁽³⁷⁾ ⁽⁵¹⁾	BAA Buy America.n ⁽⁴⁾ ⁽⁵²⁾

Notes:

- 6. Available for UL certification only.
- 23. Minimum dimming value is less than 1%.
- 24. DALI 2 T6 controller required, provided by others.
- 25. A Lumentranslator 2 (LTL2) and LumenID (LID) must be specified for Lumentalk applications. Consult Lumentranslator 2 and Lumentalk pages and specification sheets for details.
- 26. A Control Box (CBX) and LumenID (LID) must be specified.
- 27. An Ethernet CBX is required. Refer to the ETX configuration in the Ethernet CBX Specification Sheet for details.
- 28. ETX Control Option is not compatible with LFTJ-T-Junction Accessory.
- 29. Consult factory for vibration rating requirements on vertical installations.
- 30. Available for all mounting options.
- 31. Consult factory for pole mounting accessories.
- 32. Available for FX, WMC1, WMI1, WMC3, WMI3, WMC6, WMI6, WMC12, WMI12, WMC18, WMI18, WMC24 and WMI24 mounting options.
- 33. Specify only if normal roadway application is required as per ANSI 136.31 2018.
- 34. Available for FX, WMI1, WMI3, WMI6, WMI12, WMI18 and WMI24 mounting options.
- 35. Specify only if a bridge or overpass application is required as per ANSI 136.31 2018.
- 36. One mounting bracket provided for 12 in fixtures. Two mounting brackets provided for 24 in, 36 in and 48 in fixtures.
- 37. Available with NVR vibration rating only. Installation limitations may apply for other vibration rating options, and a review is needed for approval. Consult factory.
- 38. Not suitable for bridge and overpass applications.
- 39. Vibration tested in accordance with ANSI 136.31 2018 at 3Gv.
- 40. Vibration tested in accordance with ANSI 136.31 2018 at 1.5Gv.
- 41. Vibration tested in accordance with ANSI 136.31 2018 at 2.3Gv.
- 42. Vibration tested in accordance with ANSI 136.31 2018 at 4.6Gv.
- 43. Zirconium pretreatment completed with corrosion-resistant primer and electrostatically-applied powder coat paint finish.
- 44. For natatorium or full salt spray applications, consult factory.
- 45. Lumenpulse offers a wide selection of RAL CLASSIC (K7) colors with a smooth texture and high-gloss finish. Please consult factory for a list of available K7 colors, other RAL textures and glosses, or to match alternate color charts. Final color matching results may vary.
- 46. Setup charges apply for RAL colors. Consult factory for details.
- 47. Longer lead times can be expected for custom RAL color finishes.
- 48. SH accessory can be combined with LV, LVAS or VS accessories. All other combinations are not possible.
- 49. The exterior finish of the accessory will match the finish specified in the fixture order code (interior surface painted matte black).
- 50. Available for 8x8, 10x10, 10x30, 10x60, 10x90, 30x30, 30x60, 30x90, 60x60, 90x90, 30x10, 60x10, 60x30, 90x10 and W optics only.
- 51. Not suitable for bridge and overpass applications. The Shield can be installed in zones with wind speeds up to 120 mph. Consult factory for zones with wind speeds higher than 120 mph.
- 52. Contact your Lumenpulse Sales Representative for more information on order volume details.