



**LUNASEW**

**IE-6501XEH**



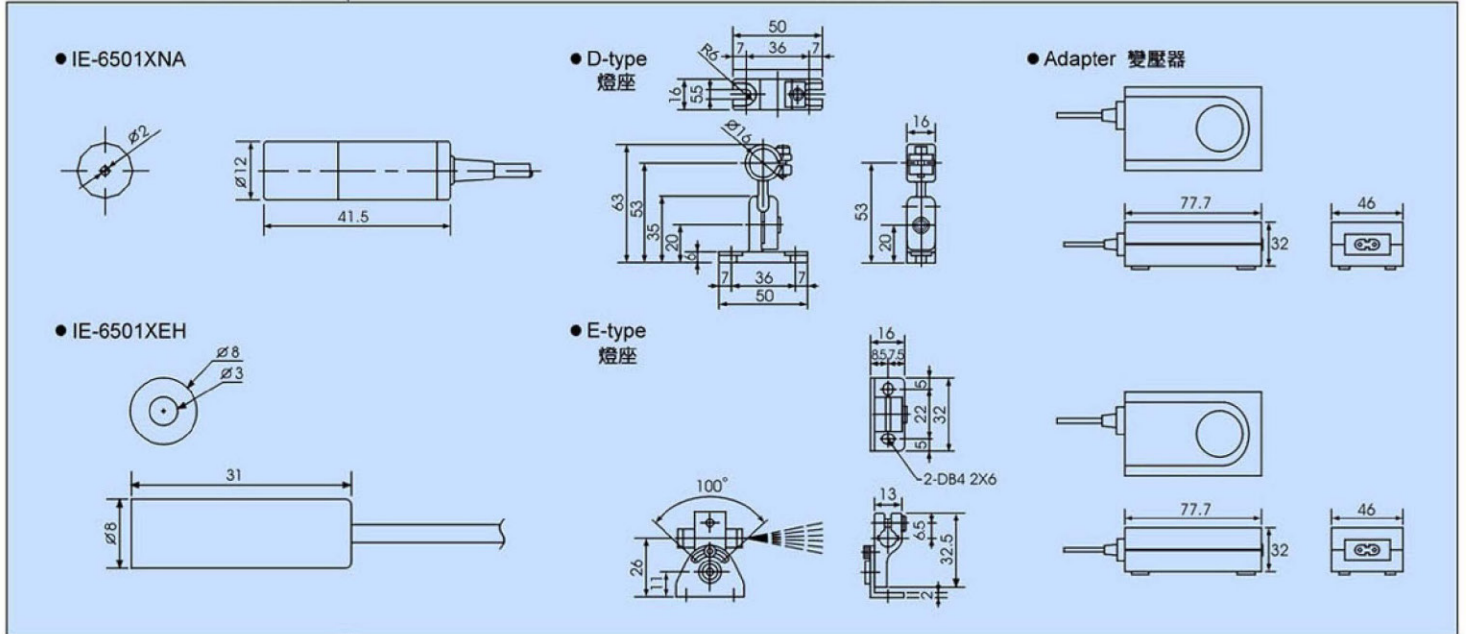
**IE-6501XNA**



**LASER DIODE MODULE**  
**LASER MARKER**

# SPECIFICATION

MODEL / 型號	IE-6501XNA	IE-6501XEH
Beam Size / 光束型式	1000mm $\varnothing$ 2	1000mm 3 X 2
Wavelength / 波長	655nm	
Output Power / 輸出功率	1mW	
Long Lifetime / 使用壽命	30,000 Hours (@RT)	
Operating Voltage / 工作電壓	DC 5V $\pm$ 5%	
Operating Current / 工作電流	50mA	
Operating Temperature / 工作溫度	-10°C ~ +50°C	
Weight / 重量	15g $\pm$ 0.5g	8g $\pm$ 0.5g
Housing Material / 燈體材質	Aluminum / 鋁合金	

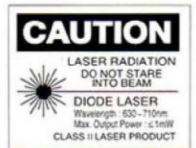


Remarks / 備註

Line Width can change depending on the environment.  
 For AC power, use the adapter for AC power only available at LUNA. (Power supply: LA-05A)  
 Input Voltage: AC 100V~250V, 47~63Hz  
 Output Voltage: DC 5V, 2.0A  
 Brackets for fixture are available.

## WARNING / 注意

1. Be very careful to avoid directly staring at the laser beam. It can cause serious damage to the eyesight.
2. Please use the voltage within the designated range. Avoid turning ON and OFF the Product during a short period of time since it can cause damage to the Product.
3. This Product is not water-resistant. Be careful not to expose the Product to moisture.
4. Laser diodes are very sensitive to the change in the temperature. Usage under low temperature is recommended for longer use.
5. Noise filter must be used when the motor solenoid is directly linked to the power. Authorization of noise or voltage surge can destroy the laser diode and lead to the lighting failure.
6. This Product is a very precise optical instrument. Be careful not to drop it. Severe shock to the Product can cause malfunction.
7. Do not disassemble, repair or rebuild the Product at your own discretion. After sales services are not available in the case of arbitrary disassembly, repair or rebuilding.



For improvement of the Product the design and specifications are subject to change without prior notice



總公司Head office :  
 立欣針車實業有限公司  
 LUNA INDUSTRIAL CO., LTD.  
 臺灣22061新北市板橋區四川路2段16巷9號5樓  
 5F., No.9, Ln. 16, Sec. 2, Sichuan Rd., Banqiao Dist.,  
 New Taipei City 22061, Taiwan  
 (LEADER INDUSTRIAL AREA)  
 TEL : 886-2-8966-5577 FAX : 886-2-8966-5443  
 E-MAIL : info@lunasew.com  
 luna0510@ms13.hinet.net  
 HTTP : //www.lunasew.com

服務處Factory :  
 立欣(寧波)針車有限公司  
 LUNA (NINGBO) SEWING MACHINE CO., LTD.  
 中國浙江省寧波市鄞州區姜山鎮星火科技園區環鎮北路13號  
 No. 13 HuanZhen (N)Road, JiangShan Town  
 XingHuo Scientific & Technical Area  
 Yin Zhou District Ningbo City, China  
 TEL : 86-574-8845-3458 8845-3468  
 FAX : 86-574-8845-3478  
 E-MAIL : lunaningbo@lunasew.com