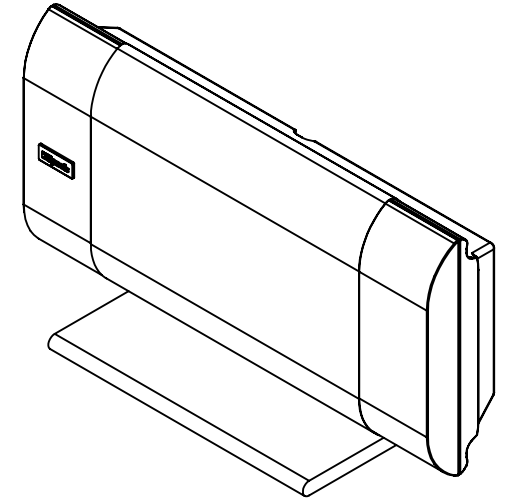
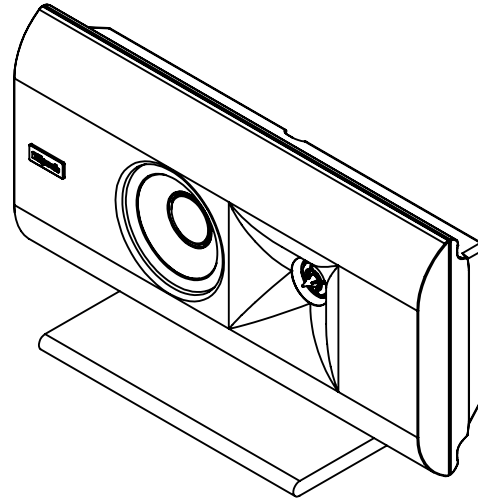
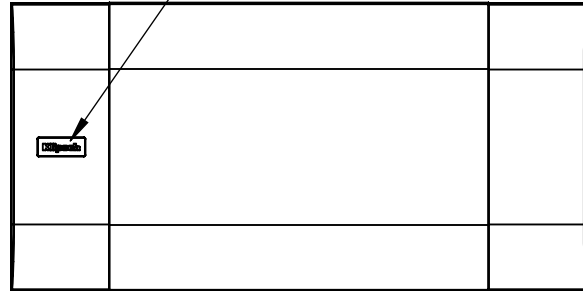
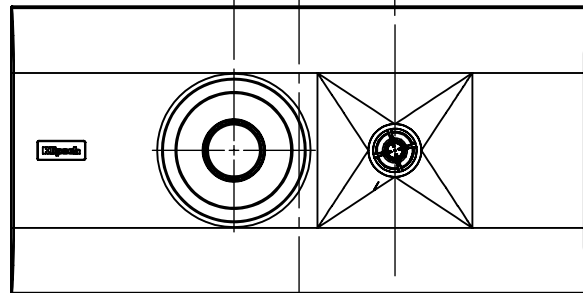


ROTATABLE LOGO



1.36 [3.44] 7.90 [20.06] 2.00 [5.08]



3.23 [8.20] 6.00 [15.23] 6.75 [17.14]

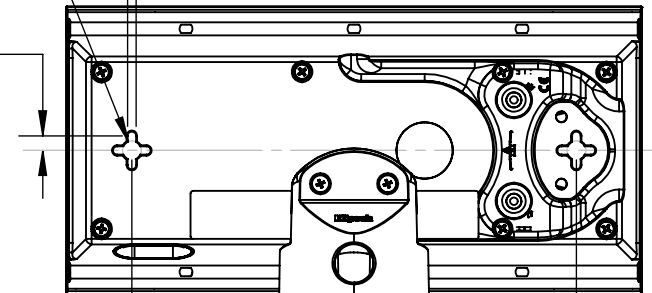
12.00 [30.47]

(.75 [1.91])

2.47 [6.28] $\phi .39$ [1] .18 [0.45]

.31 [0.78]

3.54 [8.99] 5.00 [12.70]



9.26 [23.52]

MODEL: RP-140D

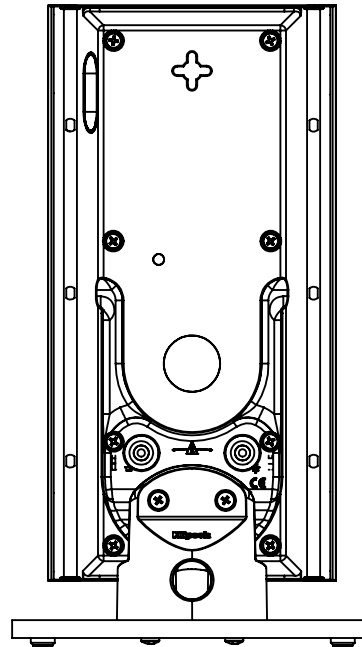
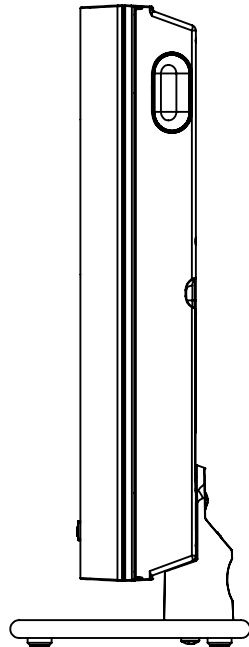
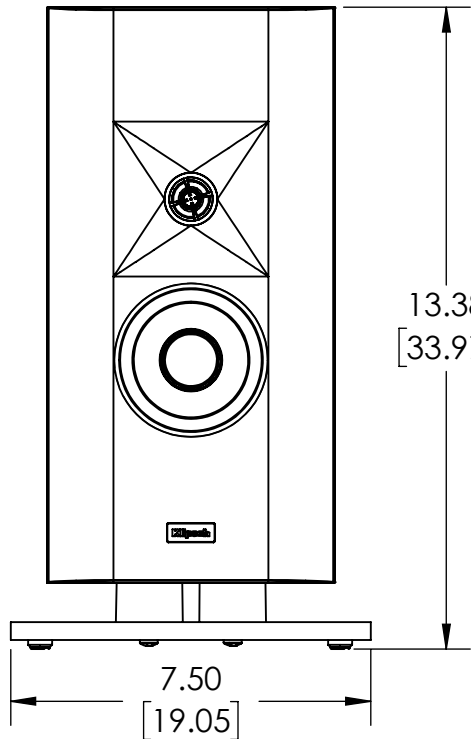
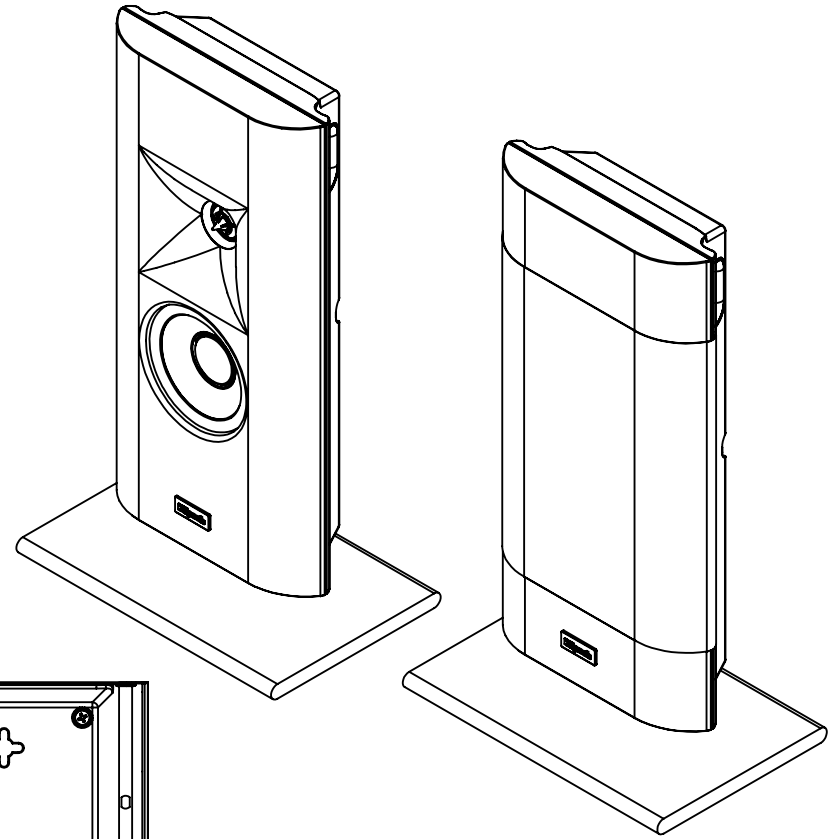
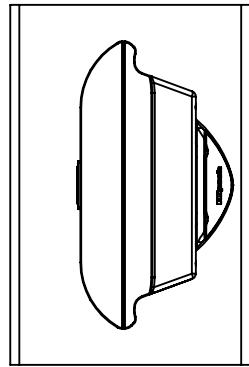
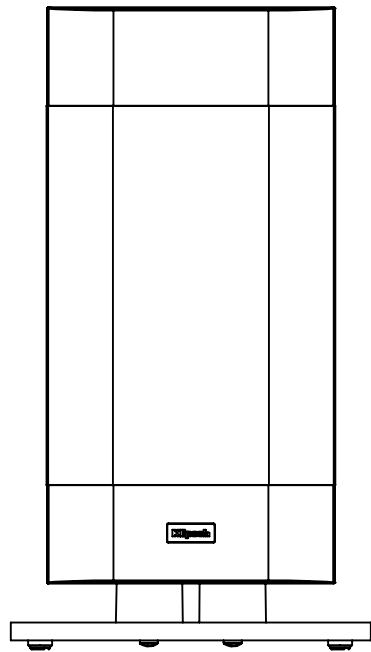
DATE: 2018-04-06 DIM: INCH [CM]

SHEET: 1 OF 1 SCALE: 1:4

Klipsch
KEEPERS OF THE SOUND

3502 WOODVIEW TRACE INDIANAPOLIS, IN 46268 | KLIPSCH.COM

All specifications are subject to change without notice. © 2016 Klipsch Group, Inc. Klipsch and Keepers of the Sound are registered trademarks of Klipsch Group, Inc. a wholly-owned subsidiary of Vox International Corporation.



MODEL: RP-140D

DATE: 2018-04-06 DIM: INCH [CM]

SHEET: 1 OF 1

SCALE: 1:4

Klipsch
KEEPERS OF THE SOUND

3502 WOODVIEW TRACE INDIANAPOLIS, IN 46268 | KLIPSCH.COM

All specifications are subject to change without notice. © 2016 Klipsch Group, Inc. Klipsch and Keepers of the Sound are registered trademarks of Klipsch Group, Inc. a wholly-owned subsidiary of Voxco International Corporation.