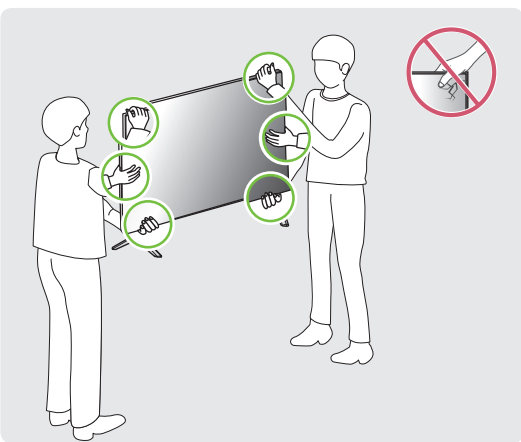
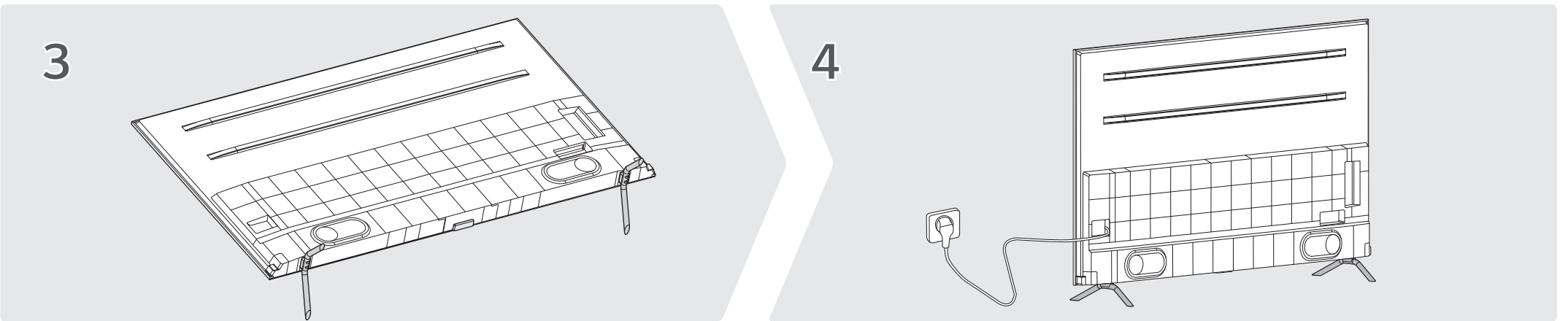
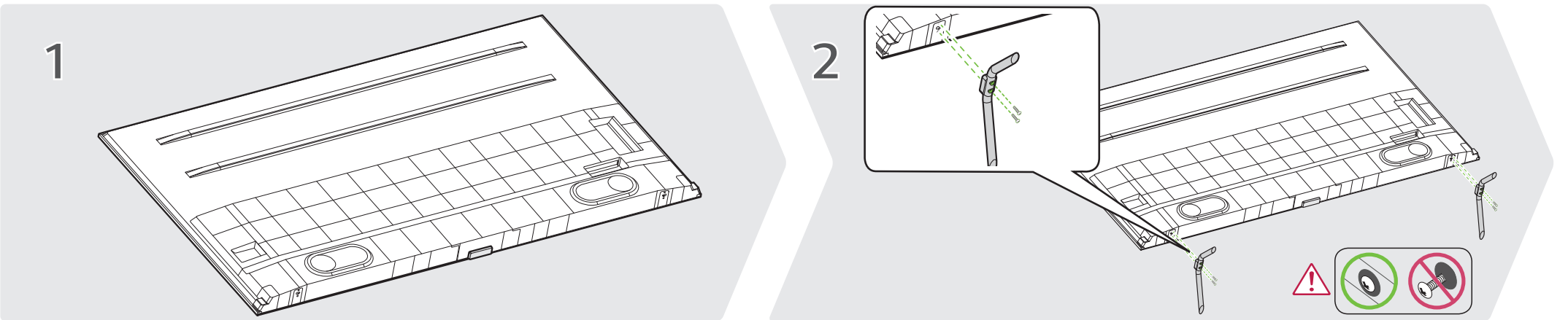
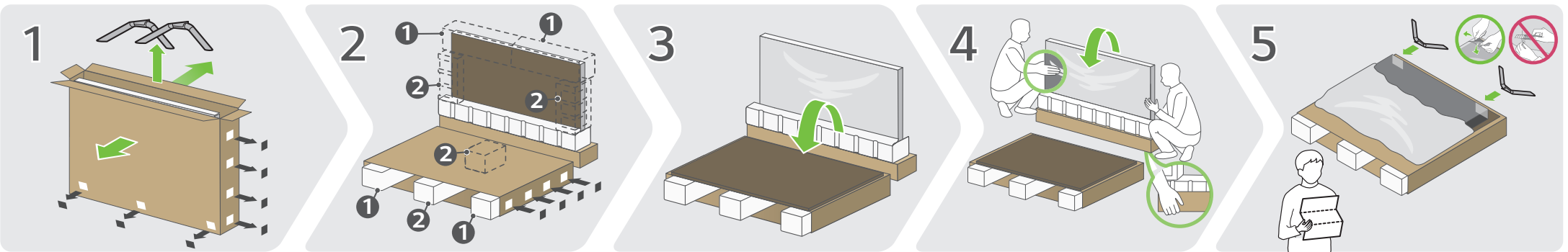
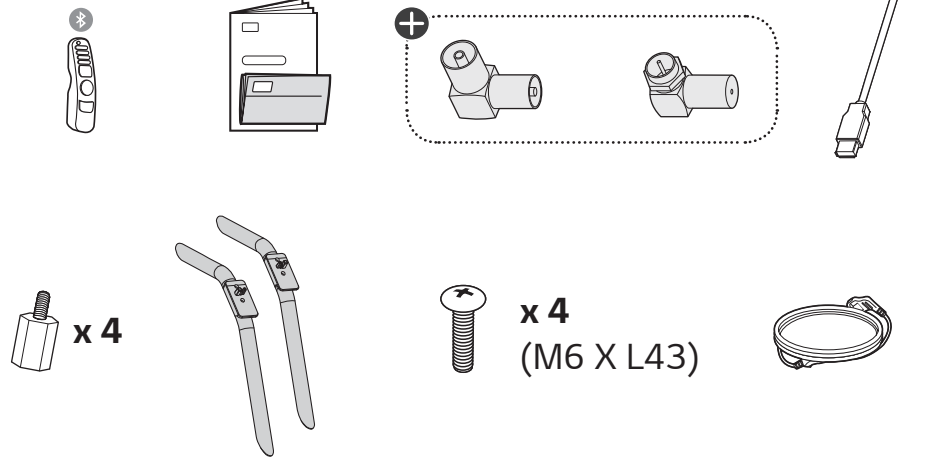
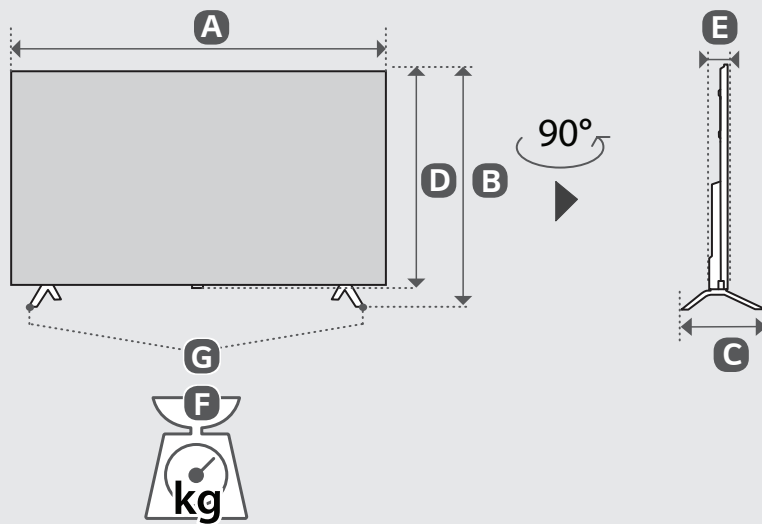
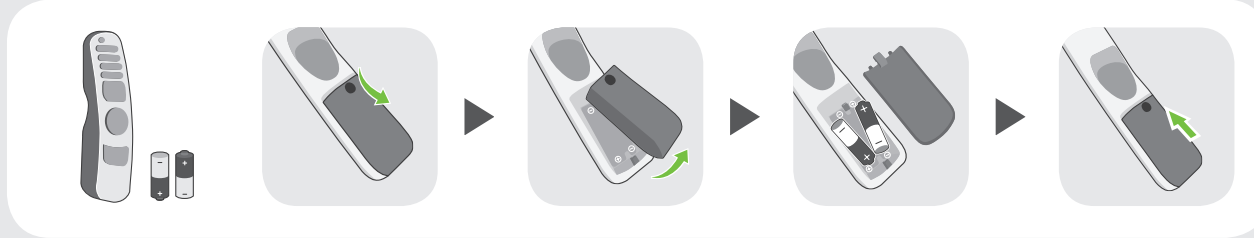
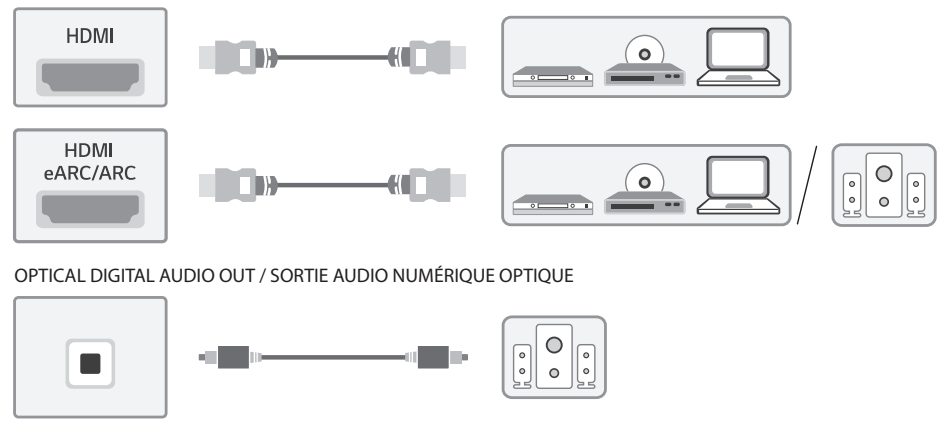
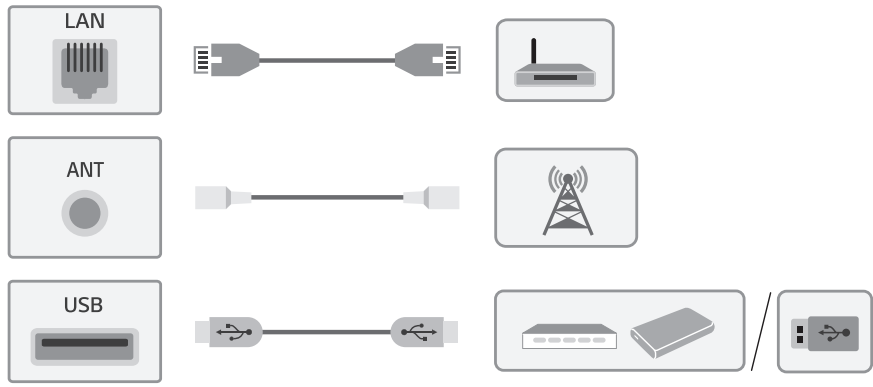


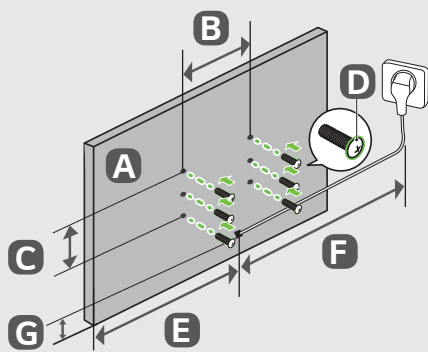
98QNE89*





mm (inches / pulgadas / po)
kg (lbs / libras / lb)

MODELS	A	B	C	D	E	F	F - G	Power consumption
MODELOS	A	B	C	D	E	F	F - G	Consumo de potencia
MODÈLES	A	B	C	D	E	F	F - G	Consommation électrique
DESCRIÇÃO	A	B	C	D	E	F	F - G	Consumo de energia
98QNED89*	2 182 mm (85.9) inches	1 358 mm (53.4) inches	464.6 mm (18.2) inches	1 258 mm (49.5) inches	110.4 mm (4.3) inches	65.1 kg (143.5) lbs	61.2 kg (134.9) lbs	500 W



mm (inches / pulgadas / po)

A	B x C (mm)	D	E (mm)	F (m)	G (mm)
98QNED89*	800 x 400 (31.4 x 15.7) inches	M8	187 (7.3) inches	≥1.5 (59.0) inches	296 (11.6) inches

* : 0~9, A~Z



⊕ : Depending on model / حسب الطراز / Selon le modèle / בהתאם לדגם / Dependendo do modelo / ขึ้นอยู่กับรุ่น / Tùy theo mã sản phẩm / Según el modelo / Selon le modèle / Dependo do modelo