

Sound Bar
Startup Guide

HT-A3000

5-034-487-13(1)

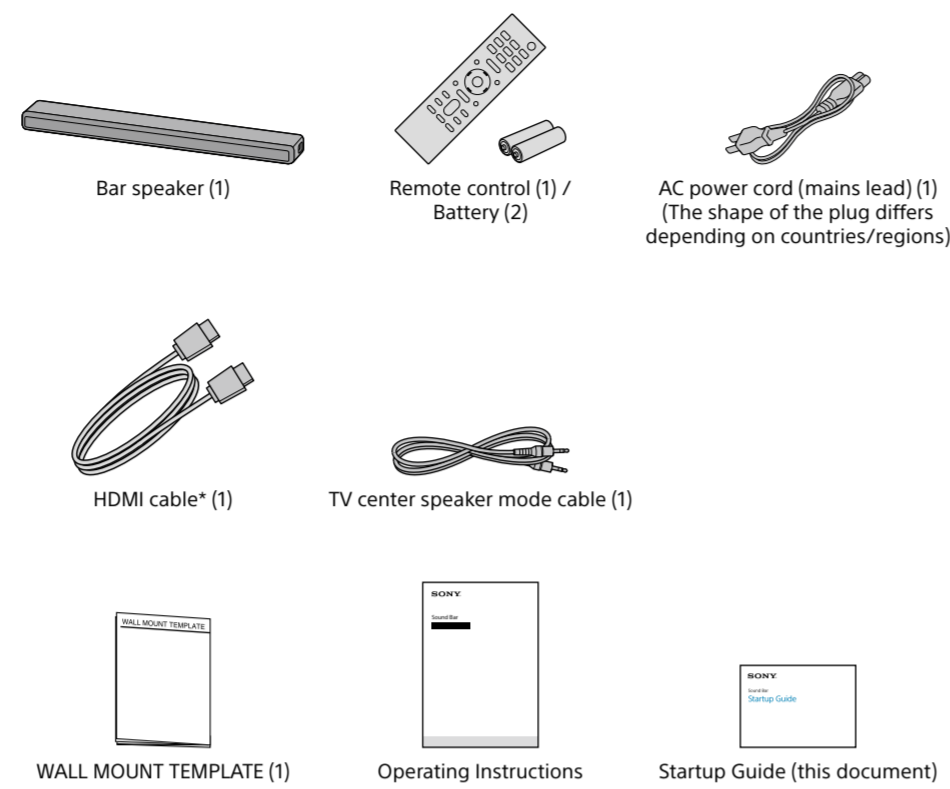
© 2022 Sony Corporation

Printed in China



* 5 0 3 4 4 8 7 1 3 * (1)

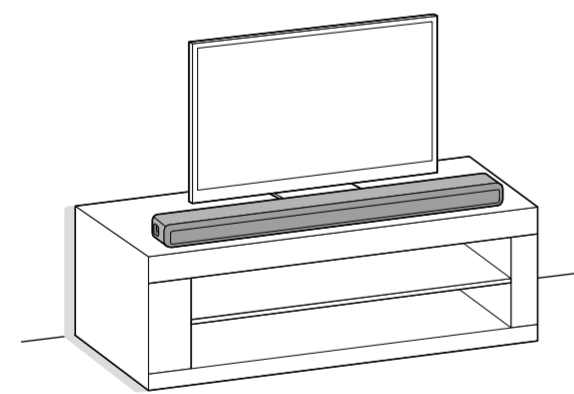
What's in the box



* Supports the specification equal to High Speed HDMI Cable with Ethernet.

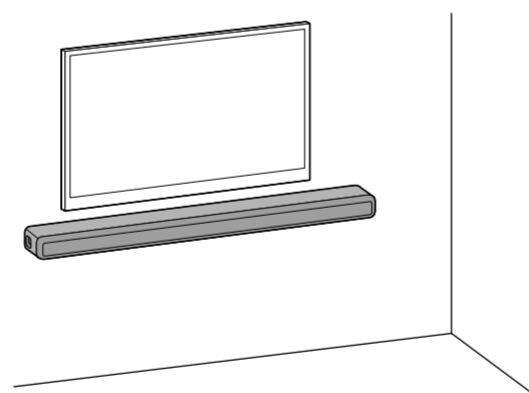
1 Choose an installation method

Installing on a shelf/stand



Mounting on a wall

For details, refer to the Operating Instructions (separate document).



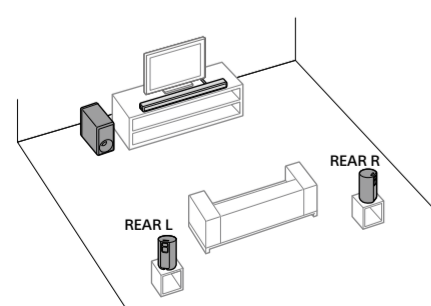
or

Note

- Before connecting the speaker system, disconnect the AC power cord (mains lead) of the TV from the AC outlet (mains). Reconnect it in step 4.
- Do not place metal objects near the speaker system. Wireless functions may become unstable.

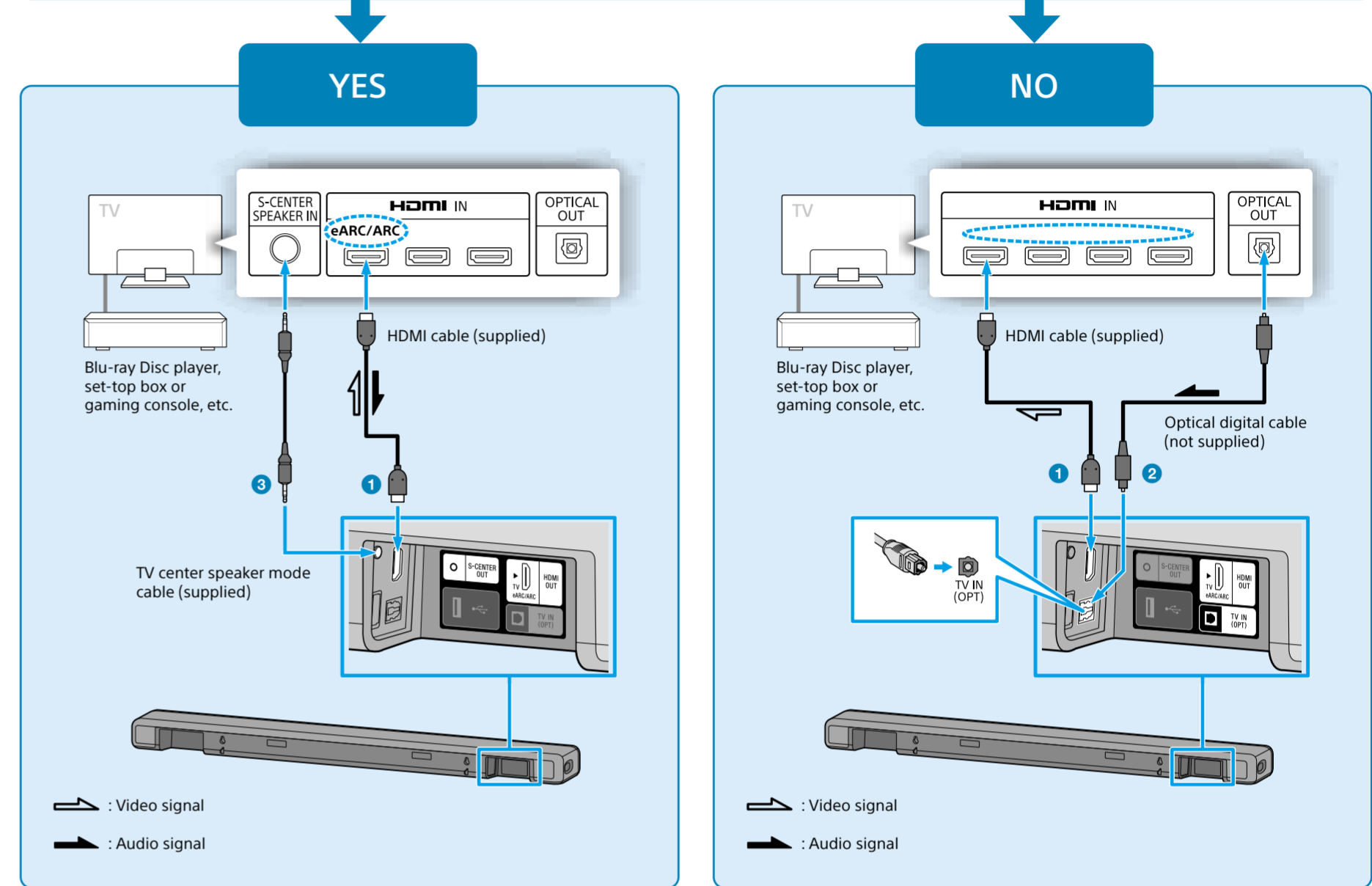
To set up with the optional subwoofer and/or rear speakers

The confirm screen for the speaker connection appears on the TV screen in step 5. Connect the optional speakers to the speaker system by following the screen instructions.



2 Connect with a TV

Is there an HDMI IN jack labeled "eARC" or "ARC" on your TV?



- 1 Connect the HDMI cable (supplied) to the HDMI OUT jack on the speaker system and the HDMI IN jack on your TV.
- 2 When your TV does not have an HDMI IN jack labeled "eARC" or "ARC," use an optical digital cable (not supplied) to connect an optical out jack on your TV and the TV IN (OPT) jack on the speaker system. There will be no TV sound output from the speaker system if the TV and the speaker system are connected only using the HDMI cable.
- 3 If your TV has the S-CENTER SPEAKER IN jack, connect the S-CENTER SPEAKER IN jack on your TV to the S-CENTER OUT jack on the speaker system using the TV center speaker mode cable (supplied). This enables sound to precisely match what's on the screen for a truly immersive experience.

Note

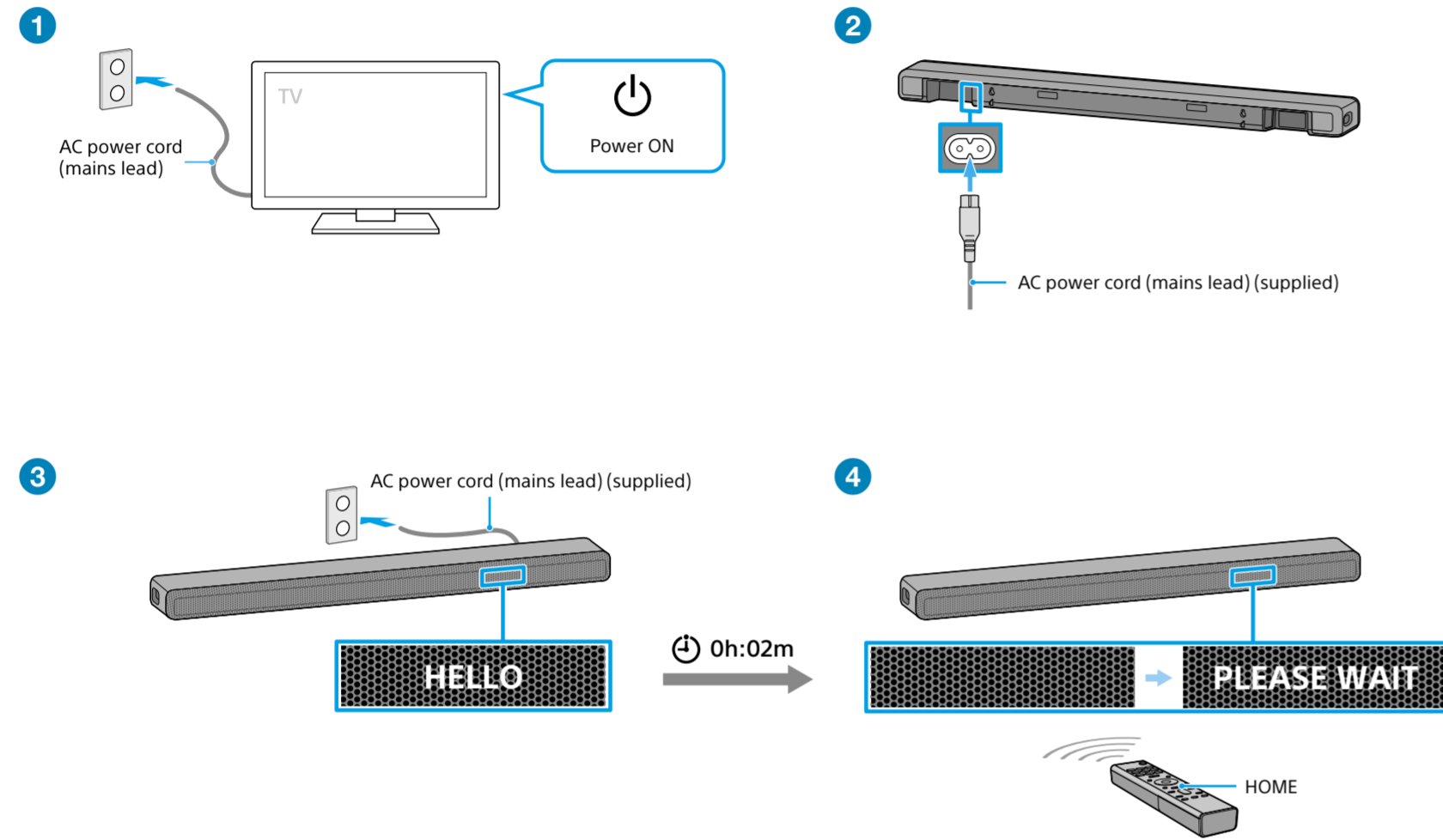
- Make sure that the connectors are firmly inserted.
- Check the shape of the optical digital cable's connectors and the jacks on the TV and the speaker system. Insert the connectors into the jacks in the right directions. If you forcibly insert the connectors in the wrong directions, the connectors and the jacks may be damaged.
- If you select "YES," enable the Control for HDMI function on the TV. Otherwise, there will be no TV sound output from the speaker system.



3 Set up the remote control

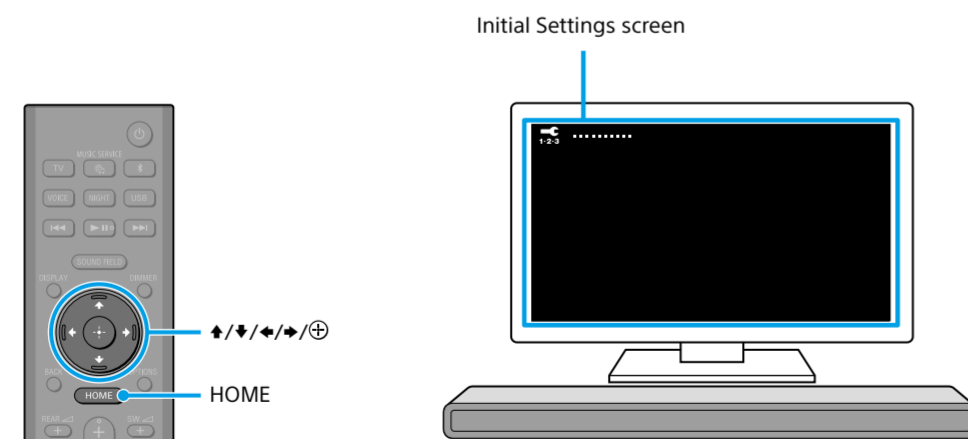


4 Turn on the TV and the speaker system



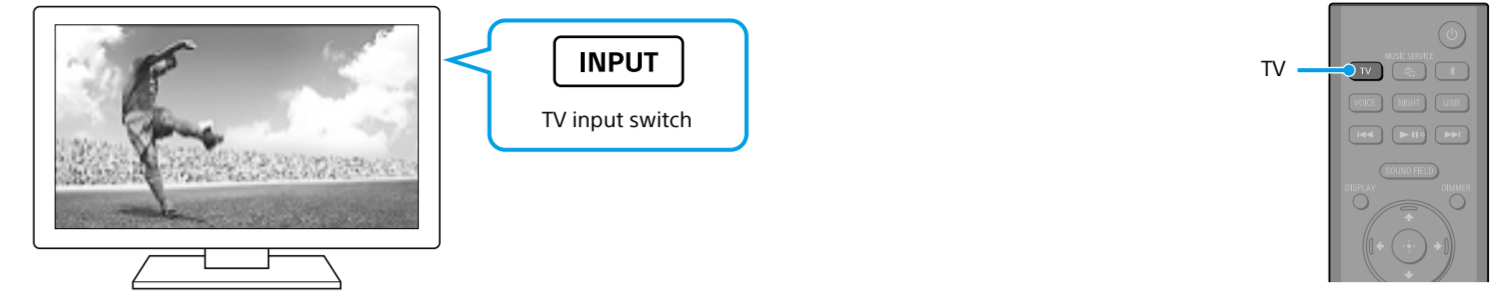
- 1 Connect the TV's AC power cord (mains lead) to the AC outlet (mains).
- 2 Connect the AC power cord (mains lead) to the AC inlet on the speaker system.
- 3 Connect the AC power cord (mains lead) to the AC outlet (mains).
The remote control of the speaker system does not work until [HELLO] in the front panel display on the speaker system disappears.
- 4 Press HOME on the remote control of the speaker system after [HELLO] in the front panel display disappears.
Wait until [PLEASE WAIT] in the front panel display disappears and next indication appears in the front panel display.

5 Perform Initial Settings



- 1 Follow the instructions on the screen displayed on the TV to perform initial settings with the directional pad and HOME button.
If the initial setting screen is not displayed, use the TV remote control to switch the input on the TV to the HDMI input that is connected to the speaker system, then press HOME on the remote control of the speaker system.
- 2 If you use the optional subwoofer/rear speakers, connect them by following the instructions on the [Checking Wireless Speaker Connection] screen.
- 3 Once [Setup is complete.] appears, select [Learn more].

6 Listen to sound



To listen to the audio of the TV

- 1 Select the desired input to the TV using the TV remote control.
The screen switches to the selected input screen and the TV audio is output from the speaker system.
If [TV] does not appear in the front panel display on the speaker system, press TV on the remote control of the speaker system to select the TV input. [TV] appears in the front panel display on the speaker system.

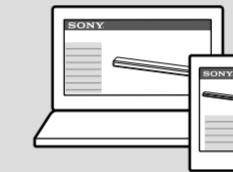
Note

Depending on the order in which you turn on the TV and speaker system, the speaker system may be muted and [MUTING] may appear in the front panel display on the speaker system. If this happens, turn on the TV first, then the speaker system.

How to use the speaker system / Troubleshooting



Operating Instructions (booklet)
Describes basic usage such as installation/connection and playback of connected devices.



Help Guide (Web instruction manual)
Describes all the usage such as the network function and the detailed setting method, including the contents of the Operating Instructions.



For troubleshooting when the speaker system does not operate correctly, see "Troubleshooting" in the Operating Instructions or Help Guide.

For customers in Americas
https://rd1.sony.net/help/ht/a3000/h_uc/



For customers in other countries/
regions
https://rd1.sony.net/help/ht/a3000/h_zz/

