

MODEL ONE DIGITAL

Generation 3

Owner's Manual

Tivoli Audio[™]

Contents

WELCOME	1
Guide to Features	2
WiFi Mode	5
Aux In Mode	7
Bluetooth Mode	7
FM Mode.....	8
DAB Mode.....	8
Settings	8
Other Information	10
Limited Warranty	11
Licenses	12
WILLKOMMEN.....	13
Leitfaden für Funktionen	14
WiFi-Modus	17
Aux In Modus	19
Bluetooth-Modus.....	20
FM-Modus	20
DAB-Modus	21
Einstellungen.....	21
Andere Informationen	23
Eingeschränkte Garantie	24
BIENVENIDOS	25
Guía de Funciones	26
Modo WiFi	29
Modo Aux In.....	31
Modo Bluetooth	31
Modo FM	32
Modo DAB	32
Configuración.....	33
Otra Información	35
Garantía Limitada	36
Bienvenue	37
Guide des Fonctionnalités.....	38
Mode WiFi	41

Mode Aux In	43
Mode Bluetooth	44
Mode FM.....	44
Mode DAB.....	45
Paramètres.....	45
Autres informations	47
Garantie Limitée	48
Benvenuti.....	49
Guida alle Funzionalità.....	50
Modalità WiFi.....	53
Modalità Aux In	55
Modalità Bluetooth	55
Modalità FM.....	56
Modalità DAB.....	56
Impostazioni.....	57
Altre Informazioni.....	59
Garanzia Limitata.....	60
Welkom	61
Gids met Functies	62
WiFi-Modus	65
Modus Aux In	67
Bluetooth-Modus.....	67
FM-Modus	68
DAB-Modus	68
Instellingen.....	69
Andere Informatie	71
Beperkte Garantie.....	72
VELKOMMEN.....	73
Veiledning til Funksjoner	74
WiFi-Modus	77
Aux In-Modus.....	79
Bluetooth-Modus.....	79
FM-Modus	80
DAB-Modus	80
Innstillinger.....	81
Annen Informasjon.....	83

Begrenset Garanti	84
TERVETULOA.....	85
Ominaisuuksien Opas.....	86
WiFi-tila.....	89
Aux In-tila	91
Bluetooth-tila	91
FM-tila.....	92
DAB-tila.....	92
Asetukset	93
Muut tiedot.....	95
Rajoitettu Takuu.....	96
VÄLKOMMEN	97
Guide till Funktioner.....	98
WiFi-läge	101
Aux-läge	103
Bluetooth-läge.....	103
FM-läge	104
DAB-läge	104
Inställningar.....	105
Övrig information	107
Begränsad Garanti	108
환영합니다	109
기능 가이드	110
WiFi 모드.....	113
보조 입력 모드.....	116
블루투스 모드.....	116
FM 모드	117
DAB 모드	117
설정	118
기타 정보.....	120
제한적 보증	121
欢迎.....	122

功能指南	123
WiFi模式	126
辅助输入模式	128
蓝牙模式	128
FM模式	129
设置	129
其他信息	131
有限保修	132

WELCOME

Thank you for your choosing Tivoli Audio!

Model One Digital - Generation 3

Wi-Fi / DAB* / FM / Bluetooth® Radio

The Model One Digital Generation 3 allows you to easily connect to Wi-Fi and your favorite app based streaming services through AirPlay and Google Cast. Or enjoy something a little closer to home with local radio broadcasts on FM or DAB (where available). With all these listening options and room filling sound, the Model One Digital is a brilliant way to enjoy music and style with the latest technology built in.

Please take a moment to read this owner's manual and the safety instructions. If you have any questions, please do not hesitate to contact your dealer or Tivoli Audio.

*DAB/DAB+ is only available in supported countries.

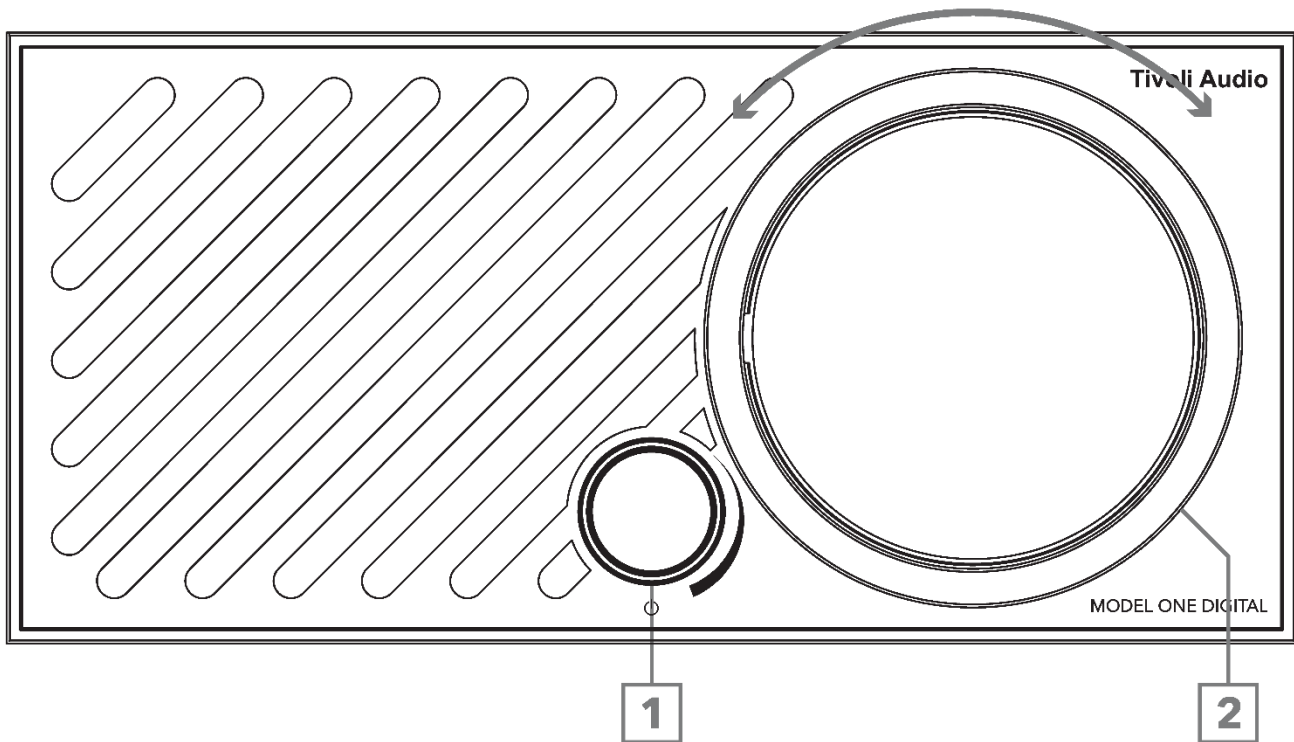
Packed with your Model One Digital you should find:

- (1) External Power Supply
- (1) FM/DAB Telescopic Antenna (installed)
- (1) Remote (battery installed)

Please contact your dealer or Tivoli Audio if any of these items are missing.

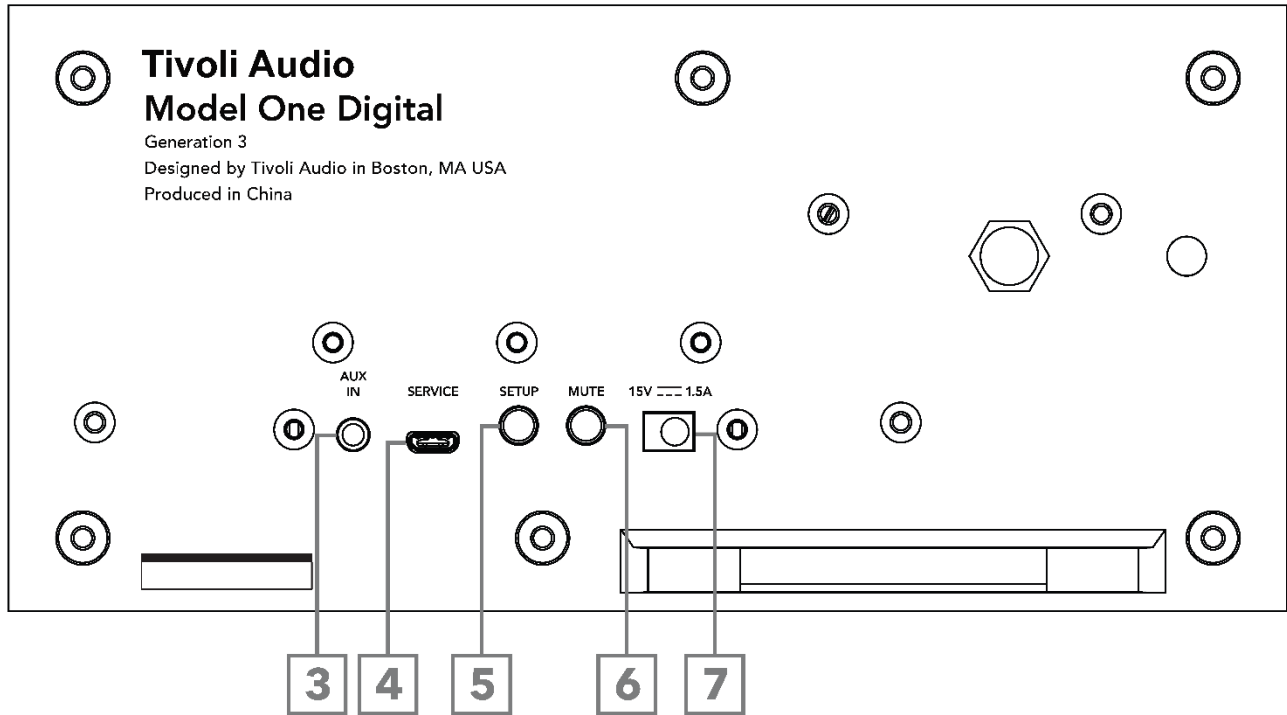
Guide to Features

Front Panel



- 1. POWER/SOURCE/VOLUME KNOB:** Single press to turn the unit on, press and hold to turn off. When powered on, single press to cycle between WiFi, FM, DAB (if available), Bluetooth, and Auxiliary sources. Rotate right to increase volume, rotate left to decrease volume.
- 2. BEZEL CONTROL:**
 - In FM/DAB mode:** Turn left to tune down. Turn right to tune up. Single press to add a station to your presets. Double press to scan or reload DAB station list or go to next FM station.
 - In Bluetooth mode:** Turn left to go to previous track. Turn right to go to next track. Single press to play/pause. Press and hold to enter Bluetooth pairing mode.
 - In WiFi Streaming mode:** Turn left to go to previous track. Turn right to go to next track. Single press to play/pause.

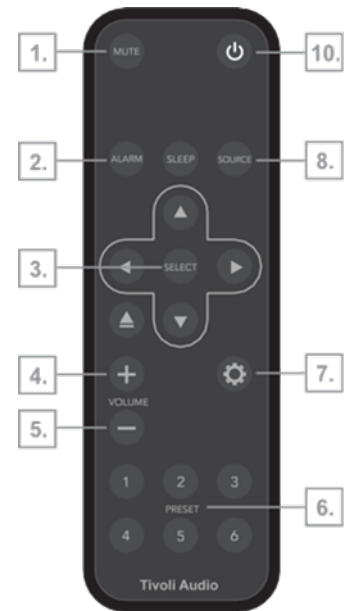
Rear Panel



3. **AUX IN:** Plug in a 3.5mm stereo cable for a standalone experience.
4. **SERVICE:** Micro USB service port. Only for use by an Authorized Tivoli service center.
5. **SETUP:** Tap to enable your speaker to be connected to your home network.
6. **MUTE:** Select to mute the volume of your Model One Digital.
7. **DC Power:** Plug in the provided Tivoli Audio power adapter to power your Model One Digital.

Remote Control

1. **MUTE:** Mutes the radio.
2. **ALARM:** Press to set the radio alarm.
3. **NAVIGATION ARROWS/SELECT:** Use the arrows to navigate the on-screen options and confirm options with the SELECT button.
4. **VOLUME UP:** Press to raise the volume.
5. **VOLUME DOWN:** Press to lower the volume.
6. **PRESET BUTTONS:** Press and hold to save a new radio station. Single press to recall a saved radio station.
7. **SETTINGS:** Press to enter the full settings menu.
8. **SOURCE:** Press to change the radio source.
9. **SLEEP:** Press to set the sleep timer.
10. **POWER:** Press to turn the radio on and off.



WARNING: DO NOT INGEST BATTERY, CHEMICAL BURN HAZARD. The remote control supplied with this product contains a coin/button cell battery. If the coin/button cell battery is swallowed, it can cause severe internal burns in just 2 hours and can lead to death. Keep new and used batteries away from children. If the battery compartment does not close securely, stop using the product and keep it away from children. If you think batteries might have been swallowed or placed inside any part of the body, seek immediate medical attention.



Alarm Setup

Press the ALARM button on the remote. Select the hour by using the navigation arrows, and press SELECT to confirm. Do this again to select the minute, and whether you would like the alarm to be active. To confirm, select YES then press the SELECT button on the remote.

Sleep Time Set

Press the SLEEP button on the remote. Select the hour by using the navigation arrows, and press SELECT to confirm. Do this again to select the minute. To confirm, select YES then press the SELECT button.

WiFi Mode

Wi-Fi Setup with Apple AirPlay

1. Turn on your unit by pressing the power knob or the power button on the remote.
2. Set your speaker to Wi-Fi mode by short pressing the power knob until the screen displays WiFi source. The Model One Digital will automatically enter Wi-Fi Setup mode once the WiFi initializes. If your speaker is not in Wi-Fi Setup mode: press the "Setup" button on the rear of the speaker.
3. On your iOS device, go to Wi-Fi Settings. Make sure to connect your iOS device to the network that you intend to use your Model One Digital.
4. Scroll down to "Set Up New AirPlay Speaker..." and select "Tivoli Audio M1D3_XXXXXX".
5. Rename your speaker (recommended) and create a password (optional).
6. Select "Next" and wait for the connection.
7. Wait for the connection confirmation, select "Done".
8. Once connected the display will confirm with a "WiFi Connected" message.
9. Your speaker is now ready to use with AirPlay. With AirPlay, you're in control of your audio.

For additional support, please visit support.apple.com

Wi-Fi Setup with Tivoli Audio Setup App

Required for Android devices to connect M1D3 to Wi-Fi. If you are connecting your speaker with an Apple iOS device, either download the Tivoli Audio Setup App or follow the "Wi-Fi Setup with Apple AirPlay" instructions.

1. Install the Tivoli Audio Setup app by downloading app the on your Cast-enabled smart phone or tablet. The Tivoli Audio Setup app is available for free on the Google Play and Apple App stores.
2. Allow permissions to Wi-Fi, Bluetooth, Nearby Devices and Location While Using.
3. Make sure to connect your smart phone/tablet to the same network that you intend to use with your Model One Digital with Google Cast.
4. If you have not already done so, turn on your phone's Bluetooth connection. This allows your WiFi information to be sent to the speaker reliably.
5. Turn on your speaker by short pressing the power knob.
6. Set your speaker to Wi-Fi mode by short pressing the power knob until the screen displays "WiFi".
7. Once the WiFi initializes, the screen will indicate WiFi Setup Enabled mode. If your speaker is not in WiFi Setup mode, press the Setup button on the rear of the radio.
8. Open the Tivoli Audio Setup app on your smart phone/tablet.
9. Tap "Set Up new Device" or "+ Add" at the bottom of the screen and follow the on-screen directions.
10. Wait for the app to scan for available speakers, then select the M1D3 you would like to setup.
11. Confirm you heard the noise.
12. In the next screen, select the correct Wi-Fi address and enter the Wi-Fi password. You may also change the speakers' name. Then tap Next.

13. Wait for your device to connect to your wireless network and check for updates. This process may take a few minutes.
14. You will now be prompted to activate Google Cast. See section "Activating Google Cast" to learn more.
15. Your speaker is now ready to use with Spotify Connect, Tidal Connect or Apple AirPlay.

Activating Google Cast

The Tivoli Audio Setup App is required to activate Google Cast on Android and iOS Devices.

1. Once your Model One Digital is connected to Wi-Fi, you may activate Google Cast.
2. When first connecting a Model One Digital to Wi-Fi, you will be prompted to activate Google Cast. You may also activate Google Cast later by navigating to the Device Settings Menu and tapping on Google Cast setting.
3. Review the Google Terms of Service, tap "Accept" to proceed.
4. Decide whether or not you would like to opt into Google's crash reports, there is no wrong answer!
5. You will now be directed to the Google Home app.
6. Look for your Model One Digital in Devices tab under Local Devices.
7. Add this speaker to the Home and Room of your choice.
8. Your M1D3 is now ready to use with Google Cast. Stream the entertainment you love from your phone, tablet, or laptop to your speaker.

How to use Google Cast:

1. Open any Cast-enabled app.
2. Select the CAST button in the app.
3. Select the Model One Digital.
4. Press the PLAY button in the app.

For additional support, please visit support.google.com/chromecast

How to use Apple AirPlay:

1. Connect your iOS device to the same network as your Model One Digital.
2. On your iOS device, open the Control Center.
3. Press and hold the audio card in the upper-right corner, then tap AirPlay.
4. Select your Model One Digital from the list of available AirPlay devices and start playing.

For additional support, please visit support.apple.com

How to use Spotify Connect:

Use your phone, tablet or computer as a remote control for Spotify. Go to spotify.com/connect to learn how.

The Spotify Software is subject to third party licenses found here: <https://www.spotify.com/connect/third-party-licenses>

How to use TIDAL Connect:

1. Play a song and tap on the 'Now Playing' bar.
2. Tap on the device selector at the top right.
3. Choose a TIDAL Connect-enabled device.

Bezel Control

While streaming any music source over WiFi, the Bezel wheel does the following:

Play/Pause: To play or pause music, short press the Bezel

Next Track: To go to the next track in an album or playlist, rotate the bezel right.

Previous Track: To go to the previous track in an album or playlist, rotate the bezel left.

Aux In Mode

Your Model One Digital can be used as a standalone speaker. Simply use a 3.5mm stereo cable to connect any line or headphone level source into the AUX input on the back of your radio. You can control the volume of the speaker using the volume control on the Model One Digital or with the volume control of your audio source.

Bluetooth Mode

Pairing

Your Model One Digital can act as a standalone Bluetooth speaker.

1. On your radio, single press the POWER/SOURCE/VOLUME KNOB until the screen on the Model One Digital says "Bluetooth".
2. On your radio, press and hold the BEZEL until the screen on the Model One Digital says "Pairing Enabled".
3. Go to the Bluetooth settings screen on your phone or tablet.
4. Select the device that has a name similar to "Tivoli M1D3_XXXXXX".
5. Once the radio displays "Pairing Success" on its screen, you are paired to the radio.
6. You can begin playing your music via Bluetooth.

Bezel Control

While streaming any music source over Bluetooth, the Bezel wheel does the following:

Play/Pause: To play or pause music, single press the Bezel

Next Track: To go to the next track in an album or playlist, rotate the bezel right.

Previous Track: To go to the previous track in an album or playlist, rotate the bezel left.

Enable Pairing: To enable pairing, press and hold the Bezel until screen displays "Pairing Enabled".

FM Mode

Bezel Control

Manual Tune Up: To manually tune up to a higher frequency station, rotate the bezel to the right.

Manual Tune Down: To manually tune down to a lower frequency station, rotate the bezel to the left.

Autoscan Up: To autoscan to a higher frequency, quickly double press the bezel.

Add a station to your preset stations: To add a station to your saved preset stations, press the bezel once. It is also possible to add presets by using your remote. Simply hold the number preset you would like to use and wait for on-screen confirmation. To delete the preset, either hold down the button on the remote or long press on the bezel control.

DAB Mode

Bezel Control

Manual Tune Up: To manually tune up to a higher frequency station, rotate the bezel to the right.

Manual Tune Down: To manually tune down to a lower frequency station, rotate the bezel to the left.

Rescan: To rescan for all stations, quickly double press the bezel.

Add a station to your preset stations: To add a station to your saved preset stations, press the bezel once. Once added, you may access it using the remote. It is also possible to add presets by using your remote. Simply hold the number preset you would like to use and wait for on-screen confirmation. To delete the preset, either hold down the button on the remote or long press on the bezel control.

Note: DAB is only available in supported countries.

Settings

Note: All of these functions are available through the remote using the Settings button. You can also access the Settings Menu by pressing and holding the Bezel and Power/Source/Volume knob together.

FM Scan Strength Set

In FM Mode, press the Settings button on the remote, then use the navigation arrows until "FM Scan Strength" appears onscreen. Press the SELECT button on the remote. Select the desired scan strength with the navigation arrows, then press the SELECT button to confirm.

Contrast

Press the Settings button on the remote, then use the navigation arrows until "Contrast" appears onscreen. Push the SELECT button on the remote. Use the navigation arrows until the desired Contrast is achieved, then press the SELECT button to confirm.

Auto Time Enable

To allow your Model One Digital to update the time via WiFi, FM, or DAB, set to "Enable". Selecting "Disable" will require you to manually set the time.

Manual Time Set

Press the Settings button on the remote, then use the navigation arrows until "Manual Time Set" appears onscreen. Push the SELECT button. Select the hour by using the navigation arrows, and press SELECT to confirm. Do this again to select the minute, meridiem, day, month, and year. To confirm, select YES then press the SELECT button.

Alarm Set

Press the Settings button on the remote, then use the navigation arrows until "Alarm Set" appears onscreen. Push the SELECT button on the remote. Select the hour by using the navigation arrows, and press SELECT to confirm. Do this again to select the minute, and whether you would like the alarm to be active. To confirm, select YES then press the SELECT button on the remote.

Sleep Time Set

Press the Settings button on the remote, then turn it until "Sleep Time Set" appears onscreen. Press the SELECT button on the remote. Select the hour by using the navigation arrows, and press SELECT to confirm. Do this again to select the minute. To confirm, select YES then press the SELECT button.

Auto Power Off

This allows your Model One Digital to shut itself off if it is idle for a period of time. Press the Settings button on the remote, then use the navigation arrows until "Auto Power Off" appears onscreen. Press the SELECT button on the remote. Use the navigation arrows until the confirmation appears, then press the SELECT button to confirm. "Enable" will set the model to turn off after it is idle for a period of time. "Disable" will turn this feature off and your unit will always stay on until you manually power it off.

FW Version

Press the Settings button on the remote, then use the navigation arrows until "FW Version" appears onscreen. Press SELECT to view the current firmware version.

Factory Reset

A Factory Reset will restore all features on Model One Digital to their default settings. Press the Settings button on the remote, then use the navigation arrows until "Factory Reset" appears onscreen. Push the SELECT button on the remote. Use the navigation arrows until the confirmation appears, then press the SELECT button to confirm.

Other Information

Firmware Updates

Your Model One Digital will have periodic software updates about every 4 months (and also possibly when you first use the product). The speaker will automatically update itself when it is connected to WiFi. No need to do anything!

Factory Reset

A factory reset will restore all features on your Model One Digital to their default settings. When your speaker is powered on, press and hold the Setup and Mute buttons until the screen confirms with a "Factory Resetting..." message. Release the buttons. The Model One Digital will automatically reboot once the factory reset is complete. You can also access Factory Reset through the Settings menu.

Standby Mode

If your Model One Digital is powered on and sitting idle, it will automatically enter a standby mode.

Normal Standby: When the Model One Digital has not been connected to WiFi, or paired to Bluetooth, the speaker will enter normal standby after 20 minutes of not playing audio. To wake the speaker, single press the Power/Source Knob. Power consumption in Normal Standby mode is less than 0.5W.

Network Standby: When the Model One Digital has been connected to WiFi and/or paired to Bluetooth, the speaker will enter network standby after 20 minutes of not playing audio. To wake the speaker, single press the Power/Source knob or select the speaker from the Control Center, CAST menu, Spotify Connect menu or Tidal Connect menu. Power consumption in Network Standby mode is less than 2W.

Care

A dry cloth is recommended to clean the back and wooden cabinet and metal grill of your Model One Digital. Do not expose to water.

Limited Warranty

Tivoli Audio manufactures its products to very high standards and we are confident our products will perform well. Accordingly, we warranty our products against manufacturing defects in material and workmanship to the original owner, for a period of one year in the United States and two years in the European Union from the original date of purchase. For countries where minimum warranty terms are determined by statute, the warranty term is the statutory period required. In all other locations, the warranty term is one year.

This warranty does not extend to damage caused by improper installation, faulty ancillary equipment, modifications, unauthorized repair, shipping damage or loss, abuse, accidents, use on improper voltage/current, lightning or other acts of God, normal wear and tear, commercial use, or purchase from unauthorized dealers. Proof of purchase as evidence the unit was purchased from an authorized dealer within the warranty period may be required for warranty service. Should service be necessary, please do NOT return the product without first contacting your dealer or Tivoli Audio.

This warranty is non-transferable. Tivoli Audio will not pay for loss of time, inconvenience, loss of use of the product, or damages caused by this product.

This warranty gives you specific legal rights and you may also have other rights which vary from state to state. Some states do not allow limitations on implied warranties or the exclusion of consequential damages, therefore, these restrictions may not apply to you.

For more warranty information please visit us at www.tivoliaudio.com

For European warranty information please visit www.tivoliaudio.eu

Licenses

Google, Google Home and Google Cast are trademarks of Google LLC.

Use of the Works with Apple badge means that an accessory has been designed to work specifically with the technology identified in the badge and has been certified by the developer to meet Apple performance standards.

The Spotify Software is subject to third party licenses found here: <https://www.spotify.com/connect/third-party-licenses>.

The Bluetooth® word mark and logos are registered trademarks owned by Bluetooth SIG, Inc. and any use of such marks by Tivoli Audio, Inc is under license. Other trademarks and trade names are those of their respective owners.

The Wi-Fi CERTIFIED™ Logo is a registered trademark of Wi-Fi Alliance®

WILLKOMMEN

Vielen Dank, dass Sie sich für Tivoli Audio entschieden haben!

Model One Digital - Generation 3

Wi-Fi / DAB* / FM / Bluetooth® Radio

Mit dem Model One Digital Generation 3 können Sie ganz einfach eine Wi-Fi-Verbindung herstellen und Ihre Lieblings-App-basierten Streaming-Dienste über AirPlay und Google Cast nutzen. Oder genießen Sie lokale Radiosendungen über UKW oder DAB (sofern verfügbar). Mit all diesen Höroptionen und dem raumfüllenden Klang ist das Model One Digital eine brillante Möglichkeit, Musik und Stil mit der neuesten Technologie zu genießen.

Bitte nehmen Sie sich einen Moment Zeit, um diese Bedienungsanleitung und die Sicherheitshinweise zu lesen. Wenn Sie Fragen haben, zögern Sie bitte nicht, Ihren Händler oder Tivoli Audio zu kontaktieren.

*DAB/DAB+ ist nur in unterstützten Ländern verfügbar.

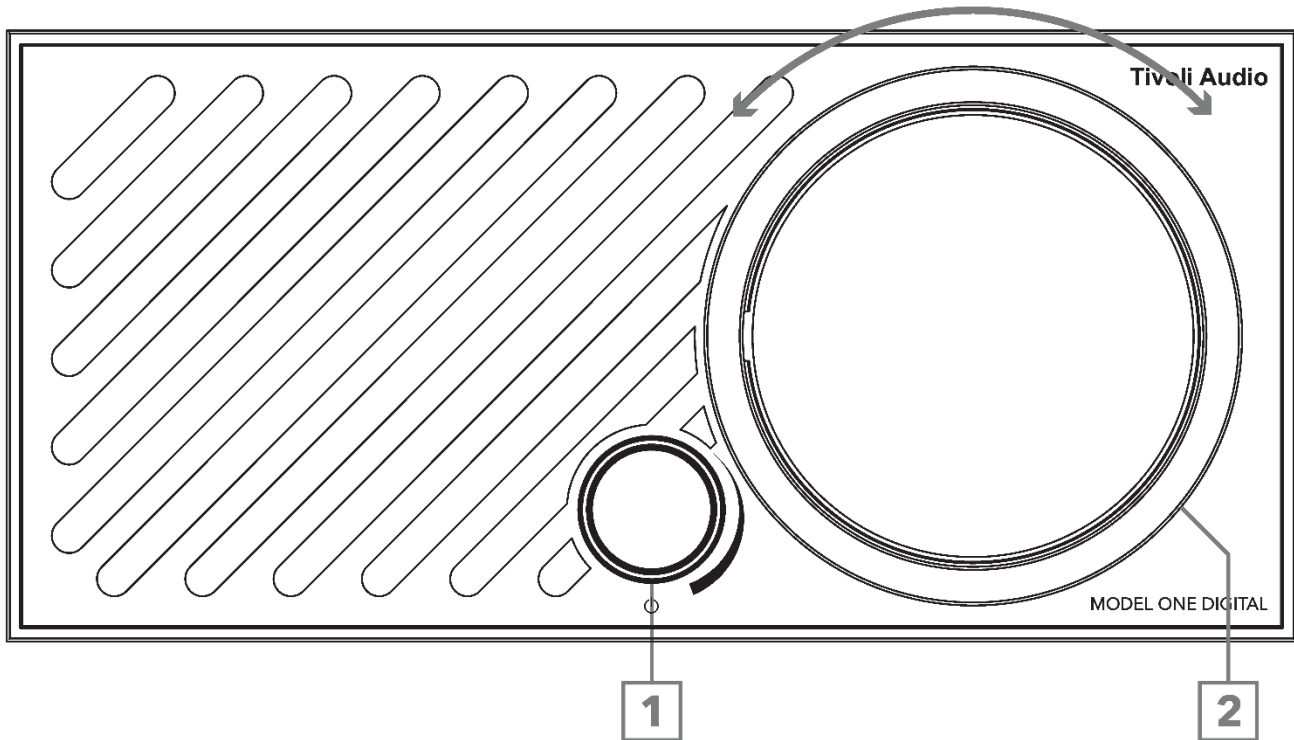
In der Packung Ihres Model One Digital sollten Sie Folgendes finden:

- (1) Externe Stromversorgung
- (1) FM/DAB-Teleskopantenne (installiert)
- (1) Fernbedienung (Batterie installiert)

Bitte wenden Sie sich an Ihren Händler oder an Tivoli Audio, wenn einer dieser Artikel fehlt.

Leitfaden für Funktionen

Frontplatte



1. **POWER/SOURCE/VOLUME-KNOPF:** Einfach drücken, um das Gerät einzuschalten, drücken und halten, um es auszuschalten. Wenn das Gerät eingeschaltet ist, können Sie durch einmaliges Drücken zwischen den Quellen WiFi, FM, DAB (falls verfügbar), Bluetooth und Auxiliary wechseln. Drehen Sie nach rechts, um die Lautstärke zu erhöhen, nach links, um sie zu verringern.

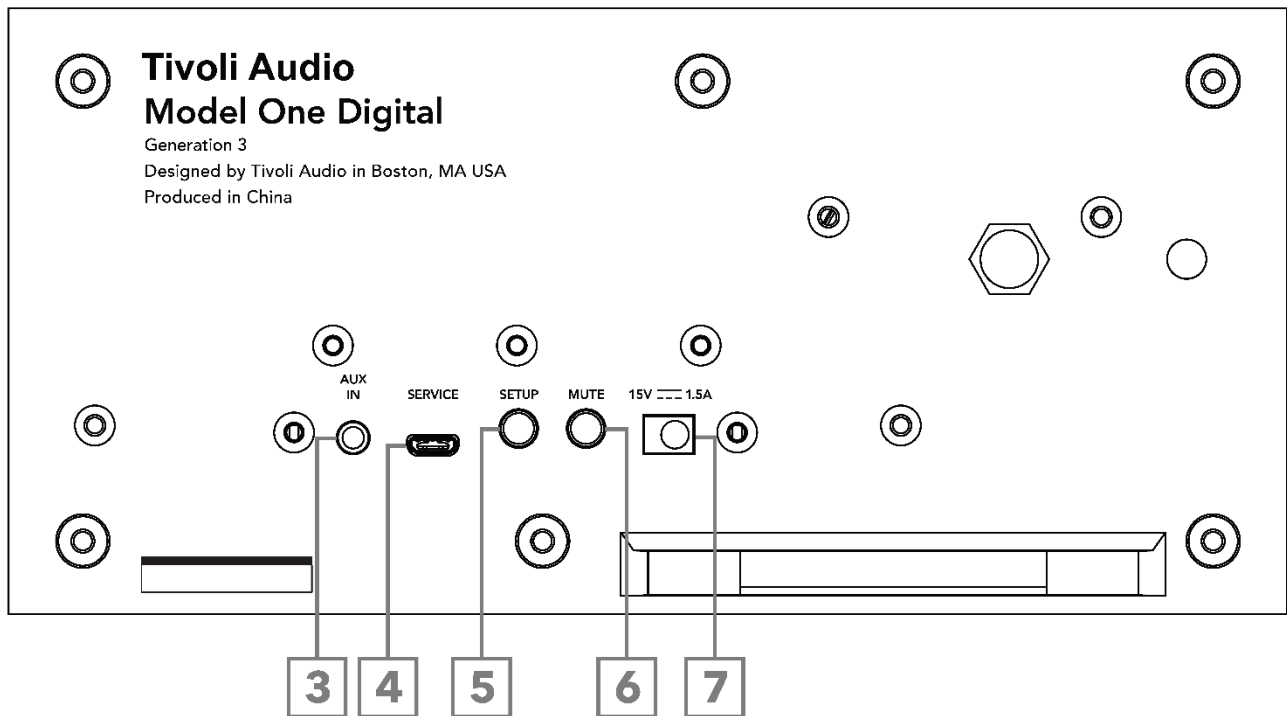
2. **BEZEL-KONTROLLE:**

Im FM/DAB-Modus: Drehen Sie nach links, um abwärts abzustimmen. Drehen Sie nach rechts, um aufwärts abzustimmen. Einfach drücken, um einen Sender zu Ihren Voreinstellungen hinzuzufügen. Doppelt drücken, um die DAB-Senderliste zu scannen oder neu zu laden oder zum nächsten FM-Sender zu wechseln.

Im Bluetooth-Modus: Drehen Sie nach links, um zum vorherigen Titel zu gehen. Nach rechts drehen, um zum nächsten Titel zu wechseln. Einmaliges Drücken für Wiedergabe/Pause. Halten Sie die Taste gedrückt, um den Bluetooth-Kopplungsmodus zu aktivieren.

Im Modus WiFi-Streaming: Drehen Sie nach links, um zum vorherigen Titel zu gelangen. Nach rechts drehen, um zum nächsten Titel zu gelangen. Einmaliges Drücken für Wiedergabe/Pause.

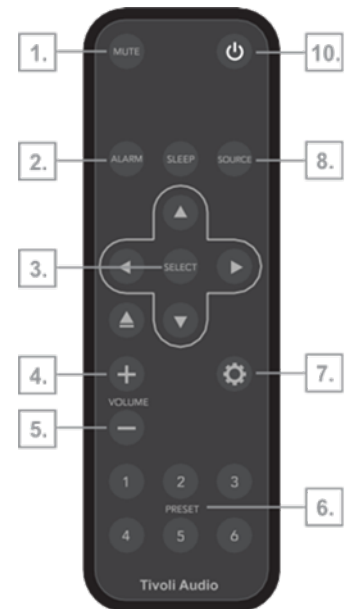
Rückseite



3. **AUX IN:** Schließen Sie ein 3,5-mm-Stereokabel für ein eigenständiges Erlebnis an.
4. **SERVICE:** Micro-USB-Service-Anschluss. Nur zur Verwendung durch ein autorisiertes Tivoli-Servicezentrum.
5. **SETUP:** Tippen Sie auf , um die Verbindung Ihres Lautsprechers mit Ihrem Heimnetzwerk zu aktivieren.
6. **MUTE:** Wählen Sie diese Option, um die Lautstärke Ihres Model One Digital stumm zu schalten.
7. **Gleichstromversorgung:** Schließen Sie den mitgelieferten Tivoli Audio-Netzadapter an, um Ihr Model One Digital mit Strom zu versorgen.

Fernsteuerung

1. **MUTE:** Schaltet das Radio stumm.
2. **ALARM:** Drücken Sie, um den Radioalarm einzustellen.
3. **NAVIGATIONSPEILE/AUSWAHL:** Verwenden Sie die Pfeile, um durch die Optionen auf dem Bildschirm zu navigieren und bestätigen Sie die Optionen mit der Taste SELECT.
4. **VOLUME UP:** Drücken Sie, um die Lautstärke zu erhöhen.
5. **VOLUME DOWN:** Drücken Sie, um die Lautstärke zu verringern.
6. **VOREINSTELLUNGSTASTEN:** Gedrückt halten, um einen neuen Radiosender zu speichern. Einmal drücken, um einen gespeicherten Radiosender aufzurufen.
7. **EINSTELLUNGEN:** Drücken Sie diese Taste, um das vollständige Einstellungs Menü aufzurufen.
8. **QUELLE:** Drücken Sie diese Taste, um die Radioquelle zu ändern.
9. **SLEEP:** Drücken Sie diese Taste, um den Sleep-Timer einzustellen.
10. **POWER:** Drücken Sie diese Taste, um das Radio ein- und auszuschalten.



WARNUNG: VERSCHLUCKEN SIE DIE BATTERIE NICHT, VERÄTZUNGSGEFAHR. Die mit diesem Produkt gelieferte Fernbedienung enthält eine Knopfzellenbatterie. Wenn die Knopfzellenbatterie verschluckt wird, kann sie innerhalb von nur 2 Stunden schwere innere Verbrennungen verursachen, die zum Tod führen können. Halten Sie neue und gebrauchte Batterien von Kindern fern. Wenn sich das Batteriefach nicht sicher schließen lässt, verwenden Sie das Gerät nicht mehr und halten Sie es von Kindern fern. Wenn Sie glauben, dass Batterien verschluckt wurden oder sich in irgendeinem Körperteil befinden, suchen Sie sofort einen Arzt auf.



Alarm Einstellung

Drücken Sie die ALARM-Taste auf der Fernbedienung. Wählen Sie mit den Navigationspfeilen die Stunde aus und drücken Sie zur Bestätigung SELECT. Wiederholen Sie diesen Vorgang, um die Minute auszuwählen und um festzulegen, ob der Alarm aktiv sein soll. Wählen Sie zur Bestätigung YES und drücken Sie dann die SELECT-Taste auf der Fernbedienung.

Schlafenszeit Einstellen

Drücken Sie die Taste SLEEP auf der Fernbedienung. Wählen Sie mit den Navigationspfeilen die Stunde aus und drücken Sie zur Bestätigung SELECT. Tun Sie dies erneut, um die Minute auszuwählen. Wählen Sie zur Bestätigung YES und drücken Sie dann die SELECT-Taste.

WiFi-Modus

Wi-Fi-Einrichtung mit Apple AirPlay

1. Schalten Sie Ihr Gerät ein, indem Sie den Einschaltknopf oder die Einschalttaste auf der Fernbedienung drücken.
2. Schalten Sie Ihren Lautsprecher in den Wi-Fi-Modus, indem Sie den Einschaltknopf kurz drücken, bis auf dem Bildschirm die WiFi-Quelle angezeigt wird. Das Model One Digital wechselt automatisch in den Wi-Fi-Setup-Modus, sobald das WiFi initialisiert ist. Wenn sich Ihr Lautsprecher nicht im Wi-Fi-Setup-Modus befindet: Drücken Sie die Taste „Setup“ auf der Rückseite des Lautsprechers.
3. Gehen Sie auf Ihrem iOS-Gerät zu den Wi-Fi-Einstellungen. Stellen Sie sicher, dass Sie Ihr iOS-Gerät mit dem Netzwerk verbinden, in dem Sie Ihr Model One Digital verwenden möchten.
4. Scrollen Sie nach unten zu „Neuen AirPlay-Lautsprecher einrichten...“ und wählen Sie „Tivoli Audio M1D3_XXXXXX“.
5. Benennen Sie Ihren Lautsprecher um (empfohlen) und erstellen Sie ein Passwort (optional).
6. Wählen Sie „Weiter“ und warten Sie auf die Verbindung.
7. Warten Sie auf die Verbindungsbestätigung und wählen Sie „Fertig“.
8. Sobald die Verbindung hergestellt ist, wird auf dem Display die Meldung „WiFi Connected“ angezeigt.
9. Ihr Lautsprecher ist nun bereit für die Verwendung mit AirPlay. Mit AirPlay haben Sie die Kontrolle über Ihr Audio.

Für zusätzliche Unterstützung besuchen Sie bitte support.apple.com

Wi-Fi-Einrichtung mit der Tivoli Audio Setup App

Für Android-Geräte erforderlich, um M1D3 mit Wi-Fi zu verbinden. Wenn Sie Ihren Lautsprecher mit einem Apple iOS-Gerät verbinden, laden Sie entweder die Tivoli Audio Setup App herunter oder folgen Sie der Anleitung „Wi-Fi Setup mit Apple AirPlay“.

1. Installieren Sie die Tivoli Audio Setup App, indem Sie die App auf Ihr Cast-fähiges Smartphone oder Tablet herunterladen. Die Tivoli Audio Setup App ist kostenlos im Google Play und Apple App Store erhältlich.
2. Berechtigungen für Wi-Fi, Bluetooth, Geräte in der Nähe und Standort während der Verwendung zulassen.
3. Stellen Sie sicher, dass Ihr Smartphone/Tablet mit demselben Netzwerk verbunden ist, das Sie mit Ihrem Model One Digital mit Google Cast verwenden möchten.
4. Falls Sie dies noch nicht getan haben, schalten Sie die Bluetooth-Verbindung Ihres Telefons ein. Dadurch können Ihre WiFi-Informationen zuverlässig an den Lautsprecher gesendet werden.
5. Schalten Sie Ihren Lautsprecher ein, indem Sie kurz auf den Einschaltknopf drücken.
6. Schalten Sie Ihren Lautsprecher in den Wi-Fi-Modus, indem Sie den Einschaltknopf kurz drücken, bis auf dem Bildschirm „WiFi“ angezeigt wird.
7. Sobald das WiFi initialisiert ist, wird auf dem Bildschirm der Modus WiFi Setup Enabled angezeigt. Wenn sich Ihr Lautsprecher nicht im WiFi-Setup-Modus befindet, drücken Sie die Setup-Taste auf der Rückseite des Radios.

8. Öffnen Sie die Tivoli Audio Setup App auf Ihrem Smartphone/Tablet.
9. Tippen Sie auf „Neues Gerät einrichten“ oder „+ Hinzufügen“ am unteren Rand des Bildschirms und folgen Sie den Anweisungen auf dem Bildschirm.
10. Warten Sie, bis die App nach verfügbaren Lautsprechern sucht, und wählen Sie dann das M1D3, das Sie einrichten möchten.
11. Bestätigen Sie, dass Sie das Geräusch gehört haben.
12. Wählen Sie auf dem nächsten Bildschirm die richtige Wi-Fi-Adresse und geben Sie das Wi-Fi-Passwort ein. Sie können auch den Namen der Lautsprecher ändern. Tippen Sie dann auf Weiter.
13. Warten Sie, bis Ihr Gerät eine Verbindung zu Ihrem drahtlosen Netzwerk herstellt und nach Updates sucht. Dieser Vorgang kann ein paar Minuten dauern.
14. Sie werden nun aufgefordert, Google Cast zu aktivieren. Lesen Sie den Abschnitt „Google Cast aktivieren“, um mehr zu erfahren.
15. Ihr Lautsprecher ist nun bereit für die Verwendung mit Spotify Connect, Tidal Connect oder Apple AirPlay.

Aktivieren von Google Cast

Die Tivoli Audio Setup App ist erforderlich, um Google Cast auf Android- und iOS-Geräten zu aktivieren.

1. Sobald Ihr Model One Digital mit dem Wi-Fi verbunden ist, können Sie Google Cast aktivieren.
2. Wenn Sie ein Model One Digital zum ersten Mal mit Wi-Fi verbinden, werden Sie aufgefordert, Google Cast zu aktivieren. Sie können Google Cast auch später aktivieren, indem Sie zum Menü Geräteeinstellungen navigieren und auf die Einstellung Google Cast tippen.
3. Prüfen Sie die Google-Nutzungsbedingungen und tippen Sie auf „Akzeptieren“, um fortzufahren.
4. Entscheiden Sie, ob Sie sich für die Absturzberichte von Google entscheiden möchten oder nicht - es gibt keine falsche Antwort!
5. Sie werden nun zur Google Home-App weitergeleitet.
6. Suchen Sie Ihr Model One Digital auf der Registerkarte Geräte unter Lokale Geräte.
7. Fügen Sie diesen Lautsprecher dem Haus und dem Raum Ihrer Wahl hinzu.
8. Ihr M1D3 ist jetzt bereit für die Verwendung mit Google Cast. Streamen Sie die Unterhaltung, die Sie lieben, von Ihrem Telefon, Tablet oder Laptop auf Ihren Lautsprecher.

Wie Sie Google Cast verwenden:

1. Öffnen Sie eine Cast-fähige App.
2. Wählen Sie in der App die Schaltfläche CAST.
3. Wählen Sie das Model One Digital.
4. Drücken Sie die Taste PLAY in der App.

Für zusätzliche Unterstützung besuchen Sie bitte support.google.com/chromecast

Wie Sie Apple AirPlay verwenden:

1. Verbinden Sie Ihr iOS-Gerät mit demselben Netzwerk wie Ihr Model One Digital.
2. Öffnen Sie auf Ihrem iOS-Gerät das Kontrollzentrum.
3. Drücken und halten Sie die Audiokarte in der oberen rechten Ecke und tippen Sie anschließend auf AirPlay.
4. Wählen Sie Ihr Model One Digital aus der Liste der verfügbaren AirPlay-Geräte aus und starten Sie die Wiedergabe.

Für zusätzliche Unterstützung besuchen Sie bitte support.apple.com

Wie Sie Spotify Connect verwenden:

Verwenden Sie Ihr Telefon, Tablet oder Ihren Computer als Fernbedienung für Spotify. Gehen Sie zu spotify.com/connect, um zu erfahren wie.

Die Spotify Software unterliegt den Lizenzen von Drittanbietern, die Sie hier finden:

<https://www.spotify.com/connect/third-party-licenses>

Wie Sie TIDAL Connect verwenden:

1. Spielen Sie einen Titel ab und tippen Sie auf die Leiste ‚Now Playing‘.
2. Tippen Sie oben rechts auf den Gerätewähler.
3. Wählen Sie ein TIDAL Connect-fähiges Gerät.

Blende Steuerung

Während Sie eine beliebige Musikquelle über WiFi streamen, macht das Bezel Wheel Folgendes:

Wiedergabe/Pause: Um Musik abzuspielen oder anzuhalten, drücken Sie kurz auf die Lünette

Nächster Titel: Um zum nächsten Titel in einem Album oder einer Wiedergabeliste zu gelangen, drehen Sie den Ring nach rechts.

Vorheriger Titel: Um zum vorherigen Titel in einem Album oder einer Wiedergabeliste zu gelangen, drehen Sie den Ring nach links.

Aux In Modus

Ihr Model One Digital kann auch als eigenständiger Lautsprecher verwendet werden. Schließen Sie einfach ein 3,5-mm-Stereokabel an den AUX-Eingang auf der Rückseite Ihres Radios an, um eine beliebige Quelle mit Line- oder Kopfhörerpegel anzuschließen. Sie können die Lautstärke des Lautsprechers mit dem Lautstärkeregler am Model One Digital oder mit dem Lautstärkeregler Ihrer Audioquelle regeln.

Bluetooth-Modus

Paarung

Ihr Model One Digital kann als eigenständiger Bluetooth-Lautsprecher verwendet werden.

1. Drücken Sie an Ihrem Radio einfach den POWER/SOURCE/VOLUME-Knopf, bis auf dem Bildschirm des Model One Digital „Bluetooth“ angezeigt wird.
2. Halten Sie an Ihrem Radio die Taste BEZEL gedrückt, bis auf dem Bildschirm des Model One Digital „Pairing Enabled“ angezeigt wird.
3. Rufen Sie die Bluetooth-Einstellungen auf Ihrem Telefon oder Tablet auf.
4. Wählen Sie das Gerät aus, das einen ähnlichen Namen wie „Tivoli M1D3_XXXXXX“ hat.
5. Sobald das Radio auf dem Bildschirm „Pairing Success“ anzeigt, sind Sie mit dem Radio gekoppelt.
6. Sie können mit der Wiedergabe Ihrer Musik über Bluetooth beginnen.

Blende Steuerung

Während Sie eine beliebige Musikquelle über Bluetooth streamen, macht das Bezel Wheel Folgendes:

Wiedergabe/Pause: Um Musik abzuspielen oder anzuhalten, drücken Sie einfach auf die Lünette

Nächster Titel: Um zum nächsten Titel in einem Album oder einer Wiedergabeliste zu gelangen, drehen Sie den Ring nach rechts.

Vorheriger Titel: Um zum vorherigen Titel in einem Album oder einer Wiedergabeliste zu gelangen, drehen Sie den Ring nach links.

Pairing aktivieren: Um das Pairing zu aktivieren, halten Sie die Lünette gedrückt, bis auf dem Bildschirm „Pairing Enabled“ angezeigt wird.

FM-Modus

Blende Steuerung

Manuelles Hochschalten: Um manuell einen Sender mit höherer Frequenz einzustellen, drehen Sie den Drehring nach rechts.

Manuelles Absenken: Um manuell auf einen Sender mit niedrigerer Frequenz abzustimmen, drehen Sie den Drehring nach links.

Autoscan nach oben: Um den Autoscan auf eine höhere Frequenz zu stellen, drücken Sie schnell zweimal auf die Lünette.

Fügen Sie einen Sender zu Ihren voreingestellten Sendern hinzu: Um einen Sender zu Ihren gespeicherten Senderspeichern hinzuzufügen, drücken Sie einmal auf die Lünette. Es ist auch möglich, Sender mit Hilfe Ihrer Fernbedienung hinzuzufügen. Halten Sie einfach die Nummer des gewünschten Senders gedrückt und warten Sie auf die Bestätigung auf dem Bildschirm. Um die Voreinstellung zu löschen, halten Sie entweder die Taste auf der Fernbedienung gedrückt oder drücken Sie lange auf den Drehring.

DAB-Modus

Blende Steuerung

Manuelles Hochschalten: Um manuell einen Sender mit höherer Frequenz einzustellen, drehen Sie den Drehring nach rechts.

Manuelles Absenken: Um manuell auf einen Sender mit niedrigerer Frequenz abzustimmen, drehen Sie den Drehring nach links.

Neu scannen: Um alle Sender erneut zu scannen, drücken Sie schnell zweimal auf die Blende.

Fügen Sie einen Sender zu Ihren voreingestellten Sendern hinzu: Um einen Sender zu Ihren gespeicherten Senderspeichern hinzuzufügen, drücken Sie einmal auf die Lünette. Sobald er hinzugefügt wurde, können Sie ihn mit der Fernbedienung aufrufen. Es ist auch möglich, Sender über die Fernbedienung hinzuzufügen. Halten Sie einfach die Nummer des gewünschten Senders gedrückt und warten Sie auf die Bestätigung auf dem Bildschirm. Um die Voreinstellung zu löschen, halten Sie entweder die Taste auf der Fernbedienung gedrückt oder drücken Sie lange auf die Lünette.

Hinweis: DAB ist nur in unterstützten Ländern verfügbar.

Einstellungen

Hinweis: Alle diese Funktionen sind über die Fernbedienung mit der Taste Einstellungen verfügbar. Sie können auch auf das Einstellungsmenü zugreifen, indem Sie die Lünette und den Power/Source/Volume-Knopf zusammen gedrückt halten.

FM Scan-Stärke einstellen

Drücken Sie im FM-Modus die Taste Settings auf der Fernbedienung und verwenden Sie dann die Navigationspfeile, bis „FM Scan Strength“ auf dem Bildschirm erscheint. Drücken Sie die SELECT-Taste auf der Fernbedienung. Wählen Sie die gewünschte Suchlaufstärke mit den Navigationspfeilen aus und drücken Sie dann zur Bestätigung die SELECT-Taste.

Kontrast

Drücken Sie die Taste Settings auf der Fernbedienung und verwenden Sie dann die Navigationspfeile, bis „Contrast“ auf dem Bildschirm erscheint. Drücken Sie die SELECT-Taste auf der Fernbedienung. Verwenden Sie die Navigationspfeile, bis der gewünschte Kontrast erreicht ist, und drücken Sie dann zur Bestätigung die SELECT-Taste.

Auto Zeit Aktivieren

Damit Ihr Model One Digital die Uhrzeit über WiFi, FM oder DAB aktualisieren kann, stellen Sie „Aktivieren“ ein. Wenn Sie „Deaktivieren“ wählen, müssen Sie die Zeit manuell einstellen.

Manuelle Zeiteinstellung

Drücken Sie die Taste Einstellungen auf der Fernbedienung und verwenden Sie dann die Navigationspfeile, bis „Manuelle Zeiteinstellung“ auf dem Bildschirm erscheint. Drücken Sie die SELECT-Taste. Wählen Sie mit den Navigationspfeilen die Stunde aus und drücken Sie zur Bestätigung SELECT. Wiederholen Sie diesen Vorgang, um die Minute, den Meridiem, den Tag, den Monat und das Jahr auszuwählen. Wählen Sie zur Bestätigung YES und drücken Sie dann die SELECT-Taste.

Alarm Einstellen

Drücken Sie die Taste Settings auf der Fernbedienung und verwenden Sie dann die Navigationspfeile, bis „Alarm Set“ auf dem Bildschirm erscheint. Drücken Sie die SELECT-Taste auf der Fernbedienung. Wählen Sie mit den Navigationspfeilen die Stunde aus und drücken Sie zur Bestätigung SELECT. Wiederholen Sie diesen Vorgang, um die Minute auszuwählen und um festzulegen, ob der Wecker aktiv sein soll. Wählen Sie zur Bestätigung YES und drücken Sie dann die SELECT-Taste auf der Fernbedienung.

Schlafenszeit Einstellen

Drücken Sie die Taste Settings auf der Fernbedienung und drehen Sie sie dann, bis „Sleep Time Set“ auf dem Bildschirm erscheint. Drücken Sie die SELECT-Taste auf der Fernbedienung. Wählen Sie mit den Navigationspfeilen die Stunde aus und drücken Sie zur Bestätigung SELECT. Wiederholen Sie diesen Vorgang, um die Minute auszuwählen. Wählen Sie zur Bestätigung YES und drücken Sie dann die SELECT-Taste.

Automatisches Ausschalten

Damit kann sich Ihr Model One Digital selbst abschalten, wenn es eine Zeit lang nicht benutzt wird. Drücken Sie die Taste Settings auf der Fernbedienung und verwenden Sie dann die Navigationspfeile, bis „Auto Power Off“ auf dem Bildschirm erscheint. Drücken Sie die SELECT-Taste auf der Fernbedienung. Verwenden Sie die Navigationspfeile, bis die Bestätigung erscheint, und drücken Sie dann zur Bestätigung die SELECT-Taste. Wenn Sie „Aktivieren“ wählen, schaltet sich das Modell aus, wenn es eine bestimmte Zeit lang nicht benutzt wird. Mit „Deaktivieren“ wird diese Funktion ausgeschaltet und Ihr Gerät bleibt immer eingeschaltet, bis Sie es manuell ausschalten.

FW-Version

Drücken Sie die Taste Einstellungen auf der Fernbedienung und verwenden Sie dann die Navigationspfeile, bis „FW Version“ auf dem Bildschirm erscheint. Drücken Sie SELECT, um die aktuelle Firmware-Version anzuzeigen.

Werksreset

Durch einen Werksreset werden alle Funktionen des Model One Digital auf ihre Standardeinstellungen zurückgesetzt. Drücken Sie die Taste Settings auf der Fernbedienung und verwenden Sie dann die Navigationspfeile, bis „Factory Reset“ auf dem Bildschirm erscheint. Drücken Sie die SELECT-Taste auf der

Fernbedienung. Verwenden Sie die Navigationspfeile, bis die Bestätigung erscheint, und drücken Sie dann die SELECT-Taste zur Bestätigung.

Andere Informationen

Firmware Updates

Ihr Model One Digital wird etwa alle 4 Monate (und möglicherweise auch bei der ersten Verwendung des Produkts) regelmäßig mit Software-Updates versorgt. Der Lautsprecher aktualisiert sich automatisch, wenn er mit dem WiFi verbunden ist. Sie brauchen nichts zu tun!

Werksreset

Durch einen Werksreset werden alle Funktionen Ihres Model One Digital auf die Standardeinstellungen zurückgesetzt. Wenn Ihr Lautsprecher eingeschaltet ist, halten Sie die Tasten Setup und Mute gedrückt, bis auf dem Bildschirm die Meldung „Factory Reset...“ erscheint. Lassen Sie die Tasten los. Das Model One Digital wird automatisch neu gestartet, sobald der Werksreset abgeschlossen ist. Sie können den Werksreset auch über das Menü Einstellungen aufrufen.

Standby-Modus

Wenn Ihr Model One Digital eingeschaltet ist und nicht benutzt wird, schaltet es automatisch in den Standby-Modus.

Normaler Standby: Wenn das Model One Digital nicht mit WiFi verbunden oder mit Bluetooth gekoppelt ist, schaltet der Lautsprecher nach 20 Minuten ohne Audiowiedergabe in den normalen Standby-Modus. Um den Lautsprecher aufzuwecken, drücken Sie einfach den Power/Source-Knopf. Der Stromverbrauch im normalen Standby-Modus beträgt weniger als 0,5 W.

Netzwerk-Standby: Wenn das Model One Digital mit WiFi verbunden und/oder mit Bluetooth gekoppelt wurde, schaltet der Lautsprecher nach 20 Minuten ohne Audiowiedergabe in den Netzwerk-Standby. Um den Lautsprecher aufzuwecken, drücken Sie einfach den Power/Source-Knopf oder wählen Sie den Lautsprecher aus dem Control Center, dem CAST-Menü, dem Spotify Connect-Menü oder dem Tidal Connect-Menü aus. Der Stromverbrauch im Netzwerk-Standby-Modus beträgt weniger als 2 W.

Pflege

Zur Reinigung der Rückseite, des Holzgehäuses und des Metallgitters Ihres Model One Digital empfehlen wir ein trockenes Tuch. Nicht mit Wasser in Berührung bringen.

Eingeschränkte Garantie

Tivoli Audio stellt seine Produkte nach sehr hohen Standards her und wir sind zuversichtlich, dass unsere Produkte gut funktionieren werden. Dementsprechend gewähren wir dem ursprünglichen Besitzer unserer Produkte eine Garantie auf Material- und Verarbeitungsfehler für einen Zeitraum von einem Jahr in den Vereinigten Staaten und zwei Jahren in der Europäischen Union ab dem ursprünglichen Kaufdatum. In Ländern, in denen die Mindestgarantiezeit gesetzlich festgelegt ist, entspricht die Garantiezeit dem gesetzlich vorgeschriebenen Zeitraum. In allen anderen Ländern beträgt die Gewährleistungsfrist ein Jahr.

Diese Garantie erstreckt sich nicht auf Schäden, die durch unsachgemäße Installation, fehlerhafte Zusatzgeräte, Modifikationen, nicht autorisierte Reparaturen, Transportschäden oder -verluste, Missbrauch, Unfälle, Verwendung bei falscher Spannung/Stromstärke, Blitzschlag oder andere höhere Gewalt, normale Abnutzung, kommerzielle Nutzung oder Kauf bei nicht autorisierten Händlern verursacht wurden. Für Garantieleistungen kann ein Kaufnachweis erforderlich sein, der belegt, dass das Gerät innerhalb der Garantiezeit bei einem autorisierten Händler gekauft wurde. Sollte ein Service erforderlich sein, senden Sie das Produkt bitte NICHT zurück, ohne sich vorher mit Ihrem Händler oder Tivoli Audio in Verbindung zu setzen.

Diese Garantie ist nicht übertragbar. Tivoli Audio kommt nicht für Zeitverlust, Unannehmlichkeiten, Nutzungsausfall des Produkts oder Schäden auf, die durch dieses Produkt verursacht wurden.

Diese Garantie gibt Ihnen bestimmte gesetzliche Rechte, und Sie können auch andere Rechte haben, die von Staat zu Staat variieren. In einigen Staaten sind Einschränkungen von stillschweigenden Garantien oder der Ausschluss von Folgeschäden nicht zulässig, daher gelten diese Einschränkungen möglicherweise nicht für Sie.

Für weitere Informationen zur Garantie besuchen Sie uns bitte unter www.tivoliaudio.com

Für Informationen zur europäischen Garantie besuchen Sie uns bitte unter www.tivoliaudio.eu

BIENVENIDOS

¡Gracias por elegir Tivoli Audio!

Model One Digital - Generation 3

Wi-Fi / DAB* / FM / Bluetooth® Radio

El Model One Digital Generation 3 le permite conectarse fácilmente a Wi-Fi y a sus servicios de streaming favoritos a través de AirPlay y Google Cast. O disfrute de algo un poco más cercano a casa con emisiones de radio locales en FM o DAB (donde esté disponible). Con todas estas opciones de escucha y un sonido que llena la habitación, el Model One Digital es una forma brillante de disfrutar de la música y el estilo con la última tecnología incorporada.

Tómese un momento para leer este manual del propietario y las instrucciones de seguridad. Si tiene alguna pregunta, no dude en ponerse en contacto con su distribuidor o con Tivoli Audio.

*DAB/DAB+ solo está disponible en los países compatibles.

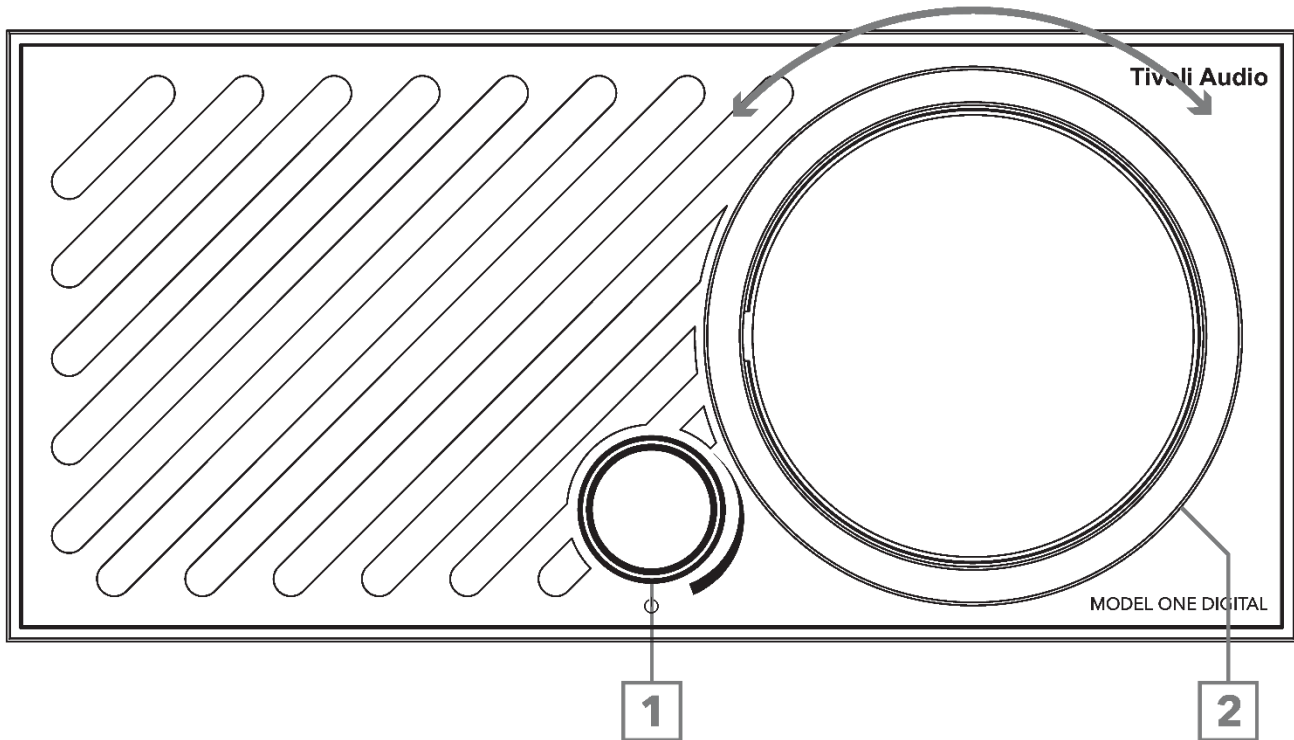
Junto con su Model One Digital, encontrará:

- (1) Fuente de alimentación externa
- (1) Antena telescópica FM/DAB (instalada)
- (1) Mando a distancia (con pilas incluidas)

Si falta alguno de estos elementos, póngase en contacto con su distribuidor o con Tivoli Audio.

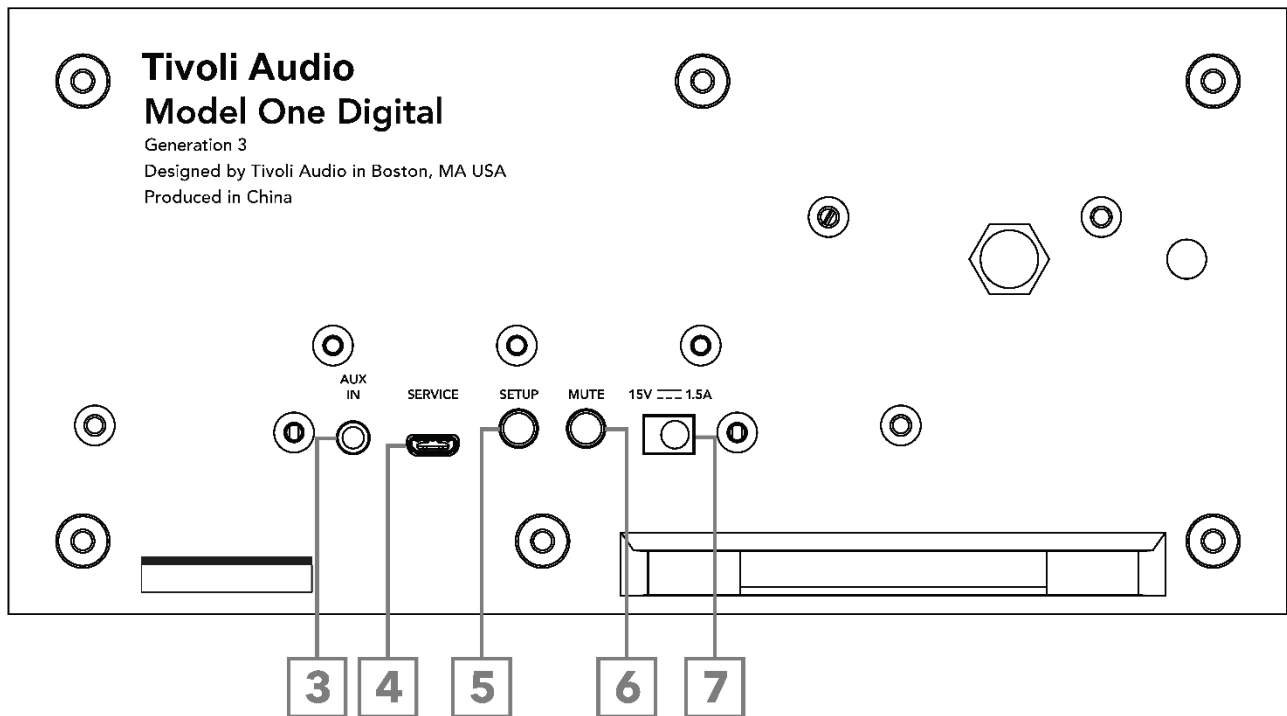
Guía de Funciones

Panel Frontal



- MANDO DE ENCENDIDO/FUENTE/VOLUMEN:** Pulse una vez para encender la unidad y manténgalo pulsado para apagarla. Cuando esté encendida, pulse una vez para alternar entre las fuentes WiFi, FM, DAB (si está disponible), Bluetooth y auxiliar. Gire hacia la derecha para subir el volumen y hacia la izquierda para bajarlo.
- CONTROL DEL BISEL:**
 - En modo FM/DAB:** Gire hacia la izquierda para sintonizar hacia abajo. Gire hacia la derecha para sintonizar hacia arriba. Pulse una vez para añadir una emisora a sus presintonías. Pulse dos veces para buscar o recargar la lista de emisoras DAB o pasar a la siguiente emisora FM.
 - En modo Bluetooth:** Gire hacia la izquierda para ir a la pista anterior. Gire hacia la derecha para ir a la pista siguiente. Pulse una vez para reproducir/pausar. Mantenga pulsado para entrar en el modo de emparejamiento Bluetooth.
 - En modo WiFi Streaming:** Gire hacia la izquierda para ir a la pista anterior. Gire hacia la derecha para ir a la pista siguiente. Pulse una vez para reproducir/pausar.

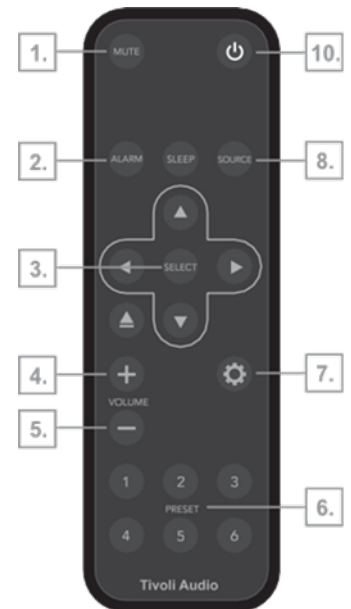
Panel Trasero



3. **AUX IN:** Conecte un cable estéreo de 3,5 mm para disfrutar de una experiencia independiente.
4. **SERVICIO:** Puerto de servicio micro USB. Solo para uso por parte de un centro de servicio autorizado de Tivoli.
5. **CONFIGURACIÓN:** Toque para habilitar la conexión del altavoz a su red doméstica.
6. **SILENCIAR:** Seleccione esta opción para silenciar el volumen de su Model One Digital.
7. **Alimentación de CC:** enchufe el adaptador de corriente Tivoli Audio suministrado para alimentar su Model One Digital.

Mando a Distancia

1. SILENCIAR: Silencia la radio.
2. ALARMA: Pulse para configurar la alarma de la radio.
3. FLECHAS DE NAVEGACIÓN/SELECCIONAR: Utilice las flechas para navegar por las opciones que aparecen en pantalla y confirme las opciones con el botón SELECCIONAR.
4. SUBIR VOLUMEN: Presione para subir el volumen.
5. BAJAR VOLUMEN: Presione para bajar el volumen.
6. BOTONES PREDEFINIDOS: Mantenga pulsado para guardar una nueva emisora de radio. Pulse una vez para recuperar una emisora de radio guardada.
7. CONFIGURACIÓN: Pulse para acceder al menú completo de configuración.
8. FUENTE: Pulse para cambiar la fuente de radio.
9. SLEEP (Suspender): Pulse para configurar el temporizador de suspensión.
10. ENCENDIDO: Pulse para encender y apagar la radio.



ADVERTENCIA: NO INGIERE LA BATERÍA, PELIGRO DE QUEMADURA QUÍMICA. El mando a distancia suministrado con este producto contiene una pila de botón. Si se ingiere la pila de botón, puede provocar quemaduras internas graves en solo 2 horas y puede provocar la muerte. Mantenga las pilas nuevas y usadas fuera del alcance de los niños. Si el compartimento de las pilas no se cierra correctamente, deje de utilizar el producto y manténgalo fuera del alcance de los niños. Si cree que se han ingerido pilas o se han introducido en alguna parte del cuerpo, acuda inmediatamente al médico.



Configuración de la Alarma

Pulse el botón ALARM (alarma) del mando a distancia. Seleccione la hora con las flechas de navegación y pulse SELECT (seleccionar) para confirmar. Repita el proceso para seleccionar los minutos y si desea que la alarma esté activa. Para confirmar, seleccione YES (sí) y pulse el botón SELECT (seleccionar) del mando a distancia.

Hora de Dormir

Pulse el botón SLEEP del mando a distancia. Seleccione la hora con las flechas de navegación y pulse SELECT para confirmar. Repita el proceso para seleccionar los minutos. Para confirmar, seleccione YES y pulse el botón SELECT.

Modo WiFi

Configuración de Wi-Fi con Apple AirPlay

1. Encienda la unidad pulsando el botón de encendido o el botón de encendido del mando a distancia.
2. Configure su altavoz en modo Wi-Fi pulsando brevemente el botón de encendido hasta que la pantalla muestre la fuente WiFi. El Model One Digital entrará automáticamente en el modo de configuración Wi-Fi una vez que se inicialice el WiFi. Si su altavoz no está en modo de configuración Wi-Fi: pulse el botón «Setup» situado en la parte posterior del altavoz.
3. En su dispositivo iOS, vaya a Ajustes de Wi-Fi. Asegúrese de conectar su dispositivo iOS a la red que desea utilizar con su Model One Digital.
4. Desplácese hacia abajo hasta «Configurar nuevo altavoz AirPlay...» y seleccione «Tivoli Audio M1D3_XXXXXX».
5. Cambie el nombre de su altavoz (recomendado) y cree una contraseña (opcional).
6. Seleccione «Siguiente» y espere a que se establezca la conexión.
7. Espere a que se confirme la conexión y seleccione «Hecho».
8. Una vez conectado, la pantalla confirmará con el mensaje «WiFi conectado».
9. Su altavoz ya está listo para usar con AirPlay. Con AirPlay, usted tiene el control del audio.

Para obtener asistencia adicional, visite support.apple.com.

Configuración Wi-Fi con la aplicación Tivoli Audio Setup

Necesario para que los dispositivos Android conecten el M1D3 a una red Wi-Fi. Si va a conectar el altavoz a un dispositivo Apple iOS, descargue la aplicación Tivoli Audio Setup o siga las instrucciones de «Configuración de Wi-Fi con Apple AirPlay».

1. Instale la aplicación Tivoli Audio Setup descargándola en su teléfono inteligente o tableta compatible con Cast. La aplicación Tivoli Audio Setup está disponible de forma gratuita en Google Play y Apple App Store.
2. Permita los permisos para Wi-Fi, Bluetooth, dispositivos cercanos y ubicación durante el uso.
3. Asegúrese de conectar su teléfono inteligente/tableta a la misma red que desea utilizar con su Model One Digital con Google Cast.
4. Si aún no lo ha hecho, active la conexión Bluetooth de su teléfono. Esto permite que la información de su WiFi se envíe al altavoz de forma fiable.
5. Encienda el altavoz pulsando brevemente el botón de encendido.
6. Configure su altavoz en modo Wi-Fi pulsando brevemente el botón de encendido hasta que la pantalla muestre «WiFi».
7. Una vez que se inicialice el WiFi, la pantalla indicará el modo WiFi Setup Enabled (Configuración WiFi habilitada). Si su altavoz no está en modo WiFi Setup (Configuración WiFi), presione el botón Setup (Configuración) situado en la parte posterior de la radio.
8. Abra la aplicación Tivoli Audio Setup en su teléfono inteligente/tableta.

9. Pulse «Configurar nuevo dispositivo» o «+ Añadir» en la parte inferior de la pantalla y siga las instrucciones que aparecen en pantalla.
10. Espere a que la aplicación busque los altavoces disponibles y, a continuación, seleccione el M1D3 que desea configurar.
11. Confirme que escuchó el ruido.
12. En la siguiente pantalla, seleccione la dirección Wi-Fi correcta e introduzca la contraseña Wi-Fi. También puede cambiar el nombre de los altavoces. A continuación, pulse Siguiente.
13. Espere a que su dispositivo se conecte a su red inalámbrica y compruebe si hay actualizaciones. Este proceso puede tardar unos minutos.
14. Ahora se le pedirá que active Google Cast. Consulte la sección «Activación de Google Cast» para obtener más información.
15. Su altavoz ya está listo para usar con Spotify Connect, Tidal Connect o Apple AirPlay.

Activación de Google Cast

Se necesita la aplicación Tivoli Audio Setup para activar Google Cast en dispositivos Android e iOS.

1. Una vez que su Model One Digital esté conectado a la red Wi-Fi, podrá activar Google Cast.
2. Cuando conecte por primera vez un Model One Digital a una red Wi-Fi, se le pedirá que active Google Cast. También puede activar Google Cast más tarde accediendo al menú de configuración del dispositivo y pulsando en la configuración de Google Cast.
3. Revise los Términos de servicio de Google y pulse «Aceptar» para continuar.
4. Decida si desea participar en los informes de errores de Google, ¡no hay una respuesta incorrecta!
5. Ahora se le redirigirá a la aplicación Google Home.
6. Busque su Model One Digital en la pestaña Dispositivos, dentro de Dispositivos locales.
7. Añada este altavoz a la casa y la habitación que desee.
8. Su M1D3 ya está listo para usar con Google Cast. Transmita el entretenimiento que le gusta desde su teléfono, tableta u ordenador portátil a su altavoz.

Cómo utilizar Google Cast:

1. Abra cualquier aplicación compatible con Cast.
2. Seleccione el botón CAST en la aplicación.
3. Seleccione el Model One Digital.
4. Pulse el botón PLAY en la aplicación.

Para obtener asistencia adicional, visite support.google.com/chromecast.

Cómo utilizar Apple AirPlay:

1. Conecte su dispositivo iOS a la misma red que su Model One Digital.
2. En su dispositivo iOS, abra el Centro de control.

3. Mantenga pulsada la tarjeta de audio en la esquina superior derecha y, a continuación, pulse AirPlay.
 4. Seleccione su Model One Digital en la lista de dispositivos AirPlay disponibles y comience a reproducir.
- Para obtener asistencia adicional, visite support.apple.com

Cómo usar Spotify Connect:

Utilice su teléfono, tableta u ordenador como mando a distancia para Spotify. Visite spotify.com/connect para saber cómo hacerlo.

El software Spotify está sujeto a licencias de terceros que se pueden consultar aquí:

<https://www.spotify.com/connect/third-party-licenses>

Cómo utilizar TIDAL Connect:

1. Reproduzca una canción y toque la barra «Ahora en reproducción».
2. Toque el selector de dispositivos en la parte superior derecha.
3. Elija un dispositivo compatible con TIDAL Connect.

Control del Bisel

Mientras se transmite cualquier fuente de música a través de WiFi, la rueda del bisel realiza las siguientes funciones:

Reproducir/Pausar: para reproducir o pausar la música, pulse brevemente el bisel.

Siguiente Pista: para pasar a la siguiente pista de un álbum o lista de reproducción, gire el bisel hacia la derecha.

Pista Anterior: para ir a la pista anterior de un álbum o lista de reproducción, gire el bisel hacia la izquierda.

Modo Aux In

Su Model One Digital se puede utilizar como altavoz independiente. Solo tiene que utilizar un cable estéreo de 3,5 mm para conectar cualquier fuente de nivel de línea o auriculares a la entrada AUX situada en la parte posterior de la radio. Puede controlar el volumen del altavoz mediante el control de volumen del Model One Digital o con el control de volumen de su fuente de audio.

Modo Bluetooth

Emparejamiento

Su Model One Digital puede funcionar como un altavoz Bluetooth independiente.

1. En su radio, pulse una vez el botón POWER/SOURCE/VOLUME KNOB hasta que la pantalla del Model One Digital muestre «Bluetooth».

2. En su radio, mantenga pulsado el BISEL hasta que la pantalla del Model One Digital indique «Emparejamiento habilitado».
3. Vaya a la pantalla de configuración de Bluetooth de su teléfono o tableta.
4. Seleccione el dispositivo que tenga un nombre similar a «Tivoli M1D3_XXXXXX».
5. Una vez que la radio muestre «Emparejamiento correcto» en su pantalla, estará emparejado con la radio.
6. Puede comenzar a reproducir su música a través de Bluetooth.

Control del Bisel

Mientras se transmite cualquier fuente de música a través de Bluetooth, la rueda del bisel realiza las siguientes funciones:

Reproducir/Pausar: para reproducir o pausar la música, pulse una vez el bisel.

Siguiente pista: para pasar a la siguiente pista de un álbum o lista de reproducción, gire el bisel hacia la derecha.

Pista anterior: para ir a la pista anterior de un álbum o lista de reproducción, gire el bisel hacia la izquierda.

Habilitar emparejamiento: para habilitar el emparejamiento, mantenga pulsado el bisel hasta que la pantalla muestre «Emparejamiento habilitado».

Modo FM

Control del Bisel

Sintonización manual: Para sintonizar manualmente una emisora de mayor frecuencia, gire el bisel hacia la derecha.

Sintonización manual hacia abajo: para sintonizar manualmente una emisora con una frecuencia más baja, gire el bisel hacia la izquierda.

Autoscan Up (Escaneo automático ascendente): para realizar un escaneo automático a una frecuencia más alta, pulse dos veces rápidamente el bisel.

Añadir una emisora a sus emisoras preestablecidas: Para añadir una emisora a sus emisoras preestablecidas guardadas, pulse una vez el bisel. También es posible añadir emisoras preestablecidas utilizando el mando a distancia. Simplemente mantenga pulsado el número de emisora preestablecida que desee utilizar y espere a que aparezca la confirmación en pantalla. Para eliminar la emisora preestablecida, mantenga pulsado el botón del mando a distancia o pulse prolongadamente el control del bisel.

Modo DAB

Control del Bisel

Sintonización manual: Para sintonizar manualmente una emisora de mayor frecuencia, gire el bisel hacia la derecha.

Sintonización manual hacia abajo: para sintonizar manualmente una emisora con una frecuencia más baja, gire el bisel hacia la izquierda.

Volver a buscar: Para volver a buscar todas las emisoras, pulse dos veces rápidamente el bisel.

Añadir una emisora a sus emisoras preestablecidas: Para añadir una emisora a sus emisoras preestablecidas guardadas, pulse una vez el bisel. Una vez añadida, podrá acceder a ella con el mando a distancia. También es posible añadir emisoras preestablecidas con el mando a distancia. Simplemente mantenga pulsado el número de la emisora preestablecida que desee utilizar y espere a que aparezca la confirmación en pantalla. Para eliminar la emisora preestablecida, mantenga pulsado el botón del mando a distancia o pulse prolongadamente el control del bisel.

Nota: DAB solo está disponible en los países compatibles.

Configuración

Nota: Todas estas funciones están disponibles a través del mando a distancia utilizando el botón Configuración. También puede acceder al menú Configuración manteniendo pulsados simultáneamente el bisel y el botón de encendido/fuente/volumen.

Configuración de la intensidad de la búsqueda de FM

En el modo FM, presione el botón Settings (Configuración) del mando a distancia y, a continuación, utilice las flechas de navegación hasta que aparezca «FM Scan Strength» (Intensidad de exploración FM) en la pantalla. Presione el botón SELECT (Seleccionar) del mando a distancia. Seleccione la intensidad de exploración deseada con las flechas de navegación y, a continuación, presione el botón SELECT (Seleccionar) para confirmar.

Contraste

Presione el botón Configuración del mando a distancia y, a continuación, utilice las flechas de navegación hasta que aparezca «Contrast» en la pantalla. Presione el botón SELECCIONAR del mando a distancia. Utilice las flechas de navegación hasta alcanzar el contraste deseado y, a continuación, presione el botón SELECCIONAR para confirmar.

Habilitar Hora Automática

Para permitir que su Model One Digital actualice la hora a través de WiFi, FM o DAB, seleccione «Habilitar». Si selecciona «Deshabilitar», deberá ajustar la hora manualmente.

Ajuste Manual de la Hora

Presione el botón Settings (Configuración) del mando a distancia y, a continuación, utilice las flechas de navegación hasta que aparezca «Manual Time Set» (Ajuste manual de la hora) en la pantalla. Pulse el botón SELECT (Seleccionar). Seleccione la hora con las flechas de navegación y pulse SELECT para confirmar. Repita este proceso para seleccionar los minutos, el meridiano, el día, el mes y el año. Para confirmar, seleccione YES (Sí) y pulse el botón SELECT.

Alarma Configurada

Pulse el botón Settings (Configuración) del mando a distancia y, a continuación, utilice las flechas de navegación hasta que aparezca «Alarm Set» (Alarma configurada) en la pantalla. Pulse el botón SELECT (Seleccionar) del mando a distancia. Seleccione la hora con las flechas de navegación y pulse SELECT (Seleccionar) para confirmar. Repita este proceso para seleccionar los minutos y si desea que la alarma esté activa. Para confirmar, seleccione YES (Sí) y pulse el botón SELECT (Seleccionar) del mando a distancia.

Hora de Dormir

Presione el botón Settings (Configuración) del mando a distancia y gírelo hasta que aparezca «Sleep Time Set» (Configuración del tiempo de suspensión) en la pantalla. Presione el botón SELECT (Seleccionar) del mando a distancia. Seleccione la hora con las flechas de navegación y presione SELECT para confirmar. Repita el proceso para seleccionar los minutos. Para confirmar, seleccione YES (Sí) y presione el botón SELECT.

Apagado Automático

Esto permite que su Model One Digital se apague automáticamente si permanece inactivo durante un periodo de tiempo. Pulse el botón «Settings» (Configuración) del mando a distancia y, a continuación, utilice las flechas de navegación hasta que aparezca «Auto Power Off» (Apagado automático) en la pantalla. Pulse el botón «SELECT» (Seleccionar) del mando a distancia. Utilice las flechas de navegación hasta que aparezca la confirmación y, a continuación, pulse el botón «SELECT» (Seleccionar) para confirmar. «Enable» (Habilitar) configurará el modelo para que se apague después de estar inactivo durante un período de tiempo. «Disable» (Deshabilitar) desactivará esta función y su unidad permanecerá siempre encendida hasta que la apague manualmente.

Versión FW

Presione el botón Configuración del control remoto y, a continuación, utilice las flechas de navegación hasta que aparezca «Versión FW» en la pantalla. Presione SELECCIONAR para ver la versión actual del firmware.

Restablecimiento de Fábrica

Un restablecimiento de fábrica restaurará todas las funciones del Model One Digital a su configuración predeterminada. Presione el botón Settings (Configuración) del mando a distancia y, a continuación, utilice las flechas de navegación hasta que aparezca «Factory Reset» (Restablecimiento de fábrica) en la pantalla. Pulse el botón SELECT (SELECCIONAR) del mando a distancia. Utilice las flechas de navegación hasta que aparezca la confirmación y, a continuación, pulse el botón SELECT (SELECCIONAR) para confirmar.

Otra Información

Actualizaciones de Firmware

Su Model One Digital recibirá actualizaciones periódicas de software aproximadamente cada 4 meses (y posiblemente también cuando utilice el producto por primera vez). El altavoz se actualizará automáticamente cuando se conecte a una red WiFi. ¡No es necesario hacer nada!

Restablecimiento de Fábrica

Un restablecimiento de fábrica restaurará todas las funciones de su Model One Digital a su configuración predeterminada. Cuando el altavoz esté encendido, mantenga pulsados los botones Setup (Configuración) y Mute (Silenciar) hasta que la pantalla confirme con el mensaje «Factory Resetting...» (Restablecimiento de fábrica...). Suelte los botones. El Model One Digital se reiniciará automáticamente una vez completado el restablecimiento de fábrica. También puede acceder al restablecimiento de fábrica a través del menú Settings (Configuración).

Modo de Espera

Si su Model One Digital está encendido y en reposo, entrará automáticamente en modo de espera.

Modo de espera normal: cuando el Model One Digital no está conectado a una red WiFi ni emparejado con Bluetooth, el altavoz entrará en modo de espera normal tras 20 minutos sin reproducir audio. Para activar el altavoz, pulse una vez el botón de encendido/fuente. El consumo energético en modo de espera normal es inferior a 0,5 W.

Modo de espera de red: cuando el Model One Digital se ha conectado a una red WiFi o se ha emparejado con Bluetooth, el altavoz entrará en modo de espera de red tras 20 minutos sin reproducir audio. Para activar el altavoz, pulse una vez el botón de encendido/fuente o seleccione el altavoz en el Centro de control, el menú CAST, el menú Spotify Connect o el menú Tidal Connect. El consumo de energía en modo de espera de red es inferior a 2 W.

Cuidado

Se recomienda utilizar un paño seco para limpiar la parte posterior, la carcasa de madera y la rejilla metálica de su Model One Digital. No lo exponga al agua.

Garantía Limitada

Tivoli Audio fabrica sus productos de acuerdo con normas muy estrictas y confiamos en que nuestros productos funcionarán bien. En consecuencia, garantizamos nuestros productos contra defectos de fabricación en materiales y mano de obra al propietario original, por un período de un año en los Estados Unidos y dos años en la Unión Europea a partir de la fecha original de compra. En los países en los que los plazos mínimos de garantía están fijados por ley, el plazo de garantía es el exigido por la ley. En todos los demás lugares, el plazo de garantía es de un año.

Esta garantía no cubre los daños causados por una instalación incorrecta, equipos auxiliares defectuosos, modificaciones, reparaciones no autorizadas, daños o pérdidas durante el transporte, uso indebido, accidentes, utilización con una tensión/corriente inadecuada, rayos u otras causas de fuerza mayor, desgaste normal, uso comercial o compra a distribuidores no autorizados. Es posible que se requiera un comprobante de compra como evidencia de que la unidad se compró a un distribuidor autorizado dentro del período de garantía para el servicio de garantía. Si fuera necesario el servicio, por favor NO devuelva el producto sin antes ponerse en contacto con su distribuidor o con Tivoli Audio.

Esta garantía no es transferible. Tivoli Audio no pagará por pérdida de tiempo, inconvenientes, pérdida de uso del producto o daños causados por este producto.

Esta garantía le otorga derechos legales específicos y también puede tener otros derechos que varían de un estado a otro. Algunos estados no permiten limitaciones en las garantías implícitas o la exclusión de daños consecuenciales, por lo tanto, estas restricciones pueden no aplicarse en su caso.

Si desea más información sobre la garantía, visítenos en www.tivoliaudio.com

Para obtener información sobre la garantía europea, visítenos en www.tivoliaudio.eu

BIENVENUE

Nous vous remercions d'avoir choisi Tivoli Audio.

Model One Digital - Generation 3

Wi-Fi / DAB* / FM / Bluetooth® Radio

Le Model One Digital Generation 3 vous permet de vous connecter facilement au Wi-Fi et à vos services de streaming préférés via AirPlay et Google Cast. Vous pouvez également profiter de programmes plus locaux grâce aux stations de radio FM ou DAB (si disponibles). Avec toutes ces options d'écoute et un son qui remplit la pièce, le Model One Digital est un excellent moyen de profiter de la musique et du style grâce aux dernières technologies intégrées.

Veillez prendre le temps de lire ce manuel d'utilisation et les consignes de sécurité. Si vous avez des questions, n'hésitez pas à contacter votre revendeur ou Tivoli Audio.

*DAB/DAB+ n'est disponible que dans les pays pris en charge.

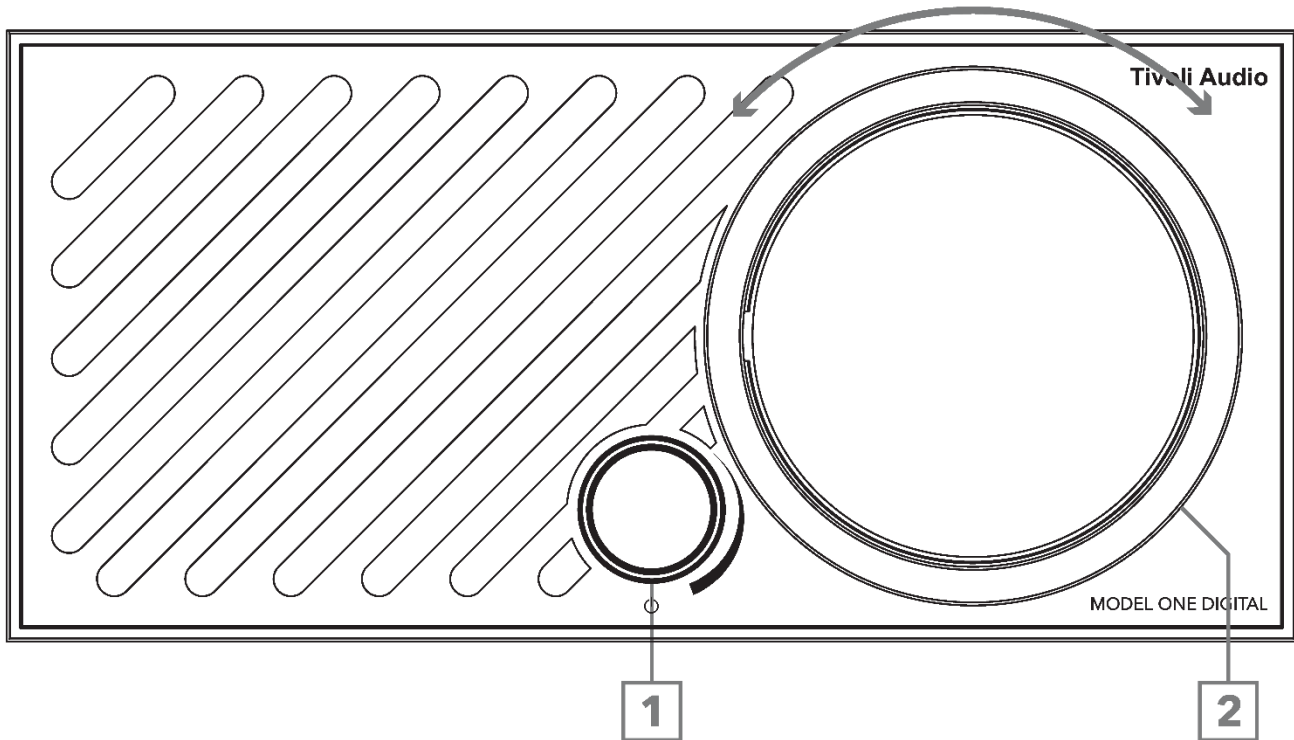
Dans l'emballage de votre Model One Digital, vous trouverez :

- (1) Alimentation électrique externe
- (1) Antenne télescopique FM/DAB (déjà installée)
- (1) Télécommande (pile incluse)

Veillez contacter votre revendeur ou Tivoli Audio si l'un de ces éléments venait à manquer.

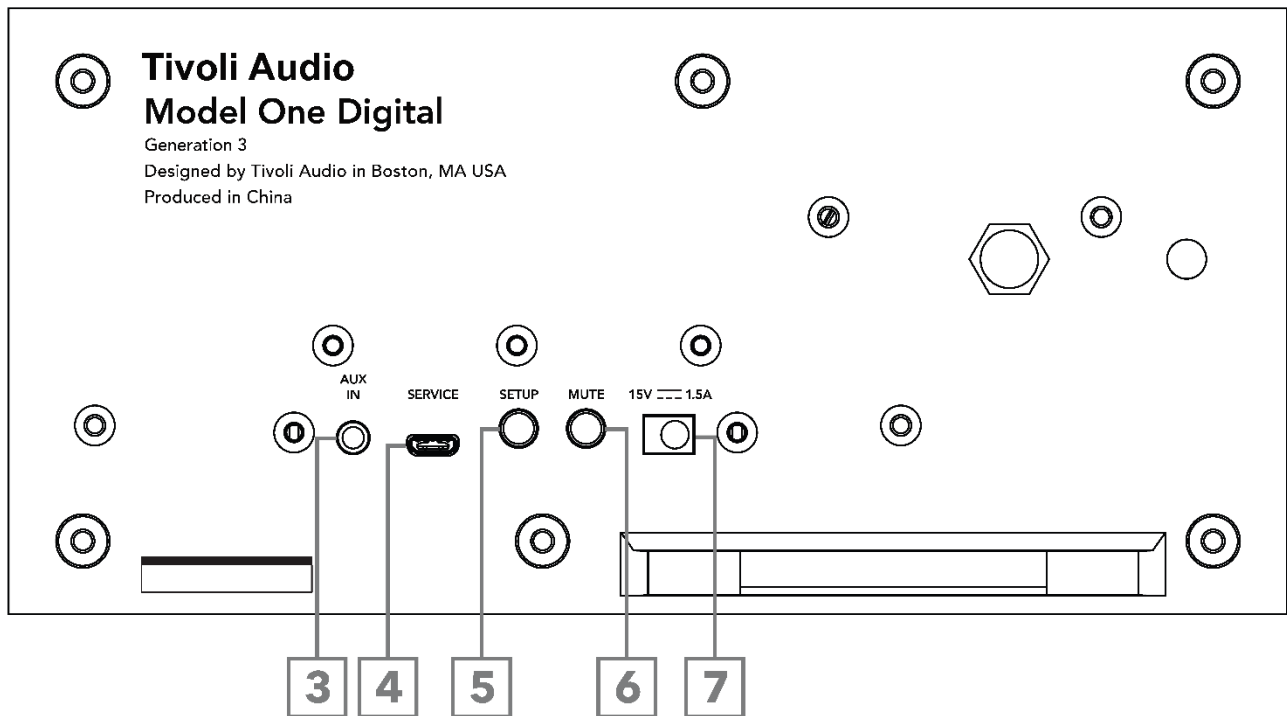
Guide des Fonctionnalités

Panneau Avant



- BOUTON D'ALIMENTATION/SOURCE/VOLUME :** Appuyez une fois pour allumer l'appareil, maintenez enfoncé pour l'éteindre. Une fois allumé, appuyez une fois pour passer du WiFi à la FM, au DAB (si disponible), au Bluetooth et aux sources auxiliaires. Tournez vers la droite pour augmenter le volume, tournez vers la gauche pour le diminuer.
- COMMANDE DE LA LUNETTE :**
 - En mode FM/DAB :** Tournez vers la gauche pour baisser la fréquence. Tournez vers la droite pour augmenter la fréquence. Appuyez une fois pour ajouter une station à vos préréglages. Appuyez deux fois pour balayer ou recharger la liste des stations DAB ou passer à la station FM suivante.
 - En mode Bluetooth :** Tournez vers la gauche pour passer à la piste précédente. Tournez vers la droite pour passer à la piste suivante. Appuyez une fois pour lire/mettre en pause. Appuyez et maintenez enfoncé pour entrer en mode d'appairage Bluetooth.
 - En mode WiFi Streaming :** Tournez vers la gauche pour passer à la piste précédente. Tournez vers la droite pour passer à la piste suivante. Appuyez une fois pour lire/mettre en pause.

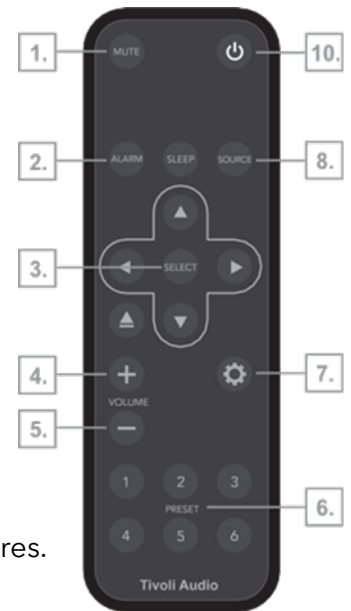
Panneau Arrière



3. **AUX IN** : Veuillez brancher un câble stéréo de 3,5 mm pour une expérience autonome.
4. **SERVICE** : Port de service micro USB. À utiliser uniquement par un centre de service agréé Tivoli.
5. **CONFIGURATION** : Veuillez appuyer pour permettre à votre haut-parleur de se connecter à votre réseau domestique.
6. **MUTE** : Veuillez sélectionner cette option pour désactiver le son de votre Model One Digital.
7. **Alimentation CC** : Branchez l'adaptateur secteur Tivoli Audio fourni pour alimenter votre Model One Digital.

Télécommande

1. **MUTE** : Permet de couper le son de la radio.
2. **ALARME** : Appuyez sur cette touche pour régler l'alarme radio.
3. **FLÈCHES DE NAVIGATION/SÉLECTION** : Veuillez utiliser les flèches pour naviguer parmi les options affichées à l'écran et confirmer votre choix à l'aide du bouton SÉLECTION.
4. **VOLUME UP** : Appuyez sur cette touche pour augmenter le volume.
5. **VOLUME DOWN** : Appuyez pour réduire le volume.
6. **BOUTONS DE PRÉRÉGLAGE** : Appuyez et maintenez enfoncé pour enregistrer une nouvelle station de radio. Appuyez une seule fois pour rappeler une station de radio enregistrée.
7. **PARAMÈTRES** : Veuillez appuyer pour accéder au menu complet des paramètres.
8. **SOURCE** : Appuyez sur cette touche pour modifier la source radio.
9. **SLEEP** : Appuyez sur cette touche pour régler la minuterie de mise en veille.
10. **ALIMENTATION** : Appuyez sur cette touche pour allumer ou éteindre la radio.



AVERTISSEMENT : NE PAS INGÉRER LA PILE, RISQUE DE BRÛLURES CHIMIQUES. La télécommande fournie avec ce produit contient une pile bouton. L'ingestion d'une pile bouton peut provoquer de graves brûlures internes en seulement 2 heures et entraîner la mort. Veuillez garder les piles neuves et usagées hors de portée des enfants. Si le compartiment à piles ne se ferme pas correctement, veuillez cesser d'utiliser le produit et le garder hors de portée des enfants. Si vous pensez que des piles ont été ingérées ou placées à l'intérieur du corps, veuillez consulter immédiatement un médecin.



Configuration de l'Alarme

Veuillez appuyer sur le bouton ALARM de la télécommande. Sélectionnez l'heure à l'aide des flèches de navigation, puis appuyez sur SELECT pour confirmer. Répétez cette opération pour sélectionner les minutes et indiquer si vous souhaitez que l'alarme soit active. Pour confirmer, sélectionnez YES, puis appuyez sur le bouton SELECT de la télécommande.

Heure de Coucher

Veuillez appuyer sur le bouton SLEEP de la télécommande. Sélectionnez l'heure à l'aide des flèches de navigation, puis appuyez sur SELECT pour confirmer. Répétez l'opération pour sélectionner les minutes. Pour confirmer, sélectionnez YES, puis appuyez sur le bouton SELECT.

Mode WiFi

Configuration Wi-Fi avec Apple AirPlay

1. Veuillez allumer votre appareil en appuyant sur le bouton d'alimentation ou sur le bouton d'alimentation de la télécommande.
2. Veuillez régler votre enceinte en mode Wi-Fi en appuyant brièvement sur le bouton d'alimentation jusqu'à ce que l'écran affiche « WiFi source ». Le Model One Digital passera automatiquement en mode de configuration Wi-Fi une fois le Wi-Fi initialisé. Si votre enceinte n'est pas en mode de configuration Wi-Fi, veuillez appuyer sur le bouton « Setup » situé à l'arrière de l'enceinte.
3. Sur votre appareil iOS, accédez aux paramètres Wi-Fi. Veuillez vous assurer que votre appareil iOS est connecté au réseau sur lequel vous avez l'intention d'utiliser votre Model One Digital.
4. Veuillez faire défiler vers le bas jusqu'à « Configurer une nouvelle enceinte AirPlay... » et sélectionner « Tivoli Audio M1D3_XXXXXX ».
5. Veuillez renommer votre haut-parleur (recommandé) et créer un mot de passe (facultatif).
6. Veuillez sélectionner « Suivant » et patienter pendant la connexion.
7. Veuillez patienter jusqu'à la confirmation de la connexion, puis sélectionnez « Terminé ».
8. Une fois connecté, l'écran affichera le message « WiFi connecté » pour confirmer la connexion.
9. Votre haut-parleur est désormais prêt à être utilisé avec AirPlay. Avec AirPlay, vous avez le contrôle de votre audio.

Pour obtenir une assistance supplémentaire, veuillez consulter le site support.apple.com.

Configuration Wi-Fi à l'aide de l'application Tivoli Audio Setup

Nécessaire pour les appareils Android afin de connecter le M1D3 au Wi-Fi. Si vous connectez votre enceinte à un appareil Apple iOS, veuillez télécharger l'application Tivoli Audio Setup ou suivre les instructions « Configuration Wi-Fi avec Apple AirPlay ».

1. Veuillez installer l'application Tivoli Audio Setup en la téléchargeant sur votre smartphone ou tablette compatible Cast. L'application Tivoli Audio Setup est disponible gratuitement sur Google Play et l'App Store d'Apple.
2. Veuillez autoriser les permissions pour le Wi-Fi, le Bluetooth, les appareils à proximité et la localisation pendant l'utilisation.
3. Veuillez vous assurer que votre smartphone/tablette est connecté au même réseau que celui que vous prévoyez d'utiliser avec votre Model One Digital avec Google Cast.
4. Si ce n'est pas déjà fait, veuillez activer la connexion Bluetooth de votre téléphone. Cela permettra d'envoyer vos informations WiFi à l'enceinte de manière fiable.
5. Veuillez activer votre haut-parleur en appuyant brièvement sur le bouton d'alimentation.
6. Veuillez régler votre haut-parleur en mode Wi-Fi en appuyant brièvement sur le bouton d'alimentation jusqu'à ce que l'écran affiche « WiFi ».
7. Une fois le WiFi initialisé, l'écran affichera le mode « WiFi Setup Enabled » (Configuration WiFi activée). Si votre haut-parleur n'est pas en mode « WiFi Setup » (Configuration WiFi), veuillez appuyer sur le bouton « Setup » situé à l'arrière de la radio.

8. Veuillez ouvrir l'application Tivoli Audio Setup sur votre smartphone/tablette.
9. Veuillez appuyer sur « Configurer un nouvel appareil » ou « + Ajouter » en bas de l'écran et suivre les instructions à l'écran.
10. Veuillez patienter pendant que l'application recherche les haut-parleurs disponibles, puis sélectionnez le M1D3 que vous souhaitez configurer.
11. Veuillez confirmer que vous avez entendu le bruit.
12. Sur l'écran suivant, veuillez sélectionner l'adresse Wi-Fi appropriée et saisir le mot de passe Wi-Fi. Vous avez également la possibilité de modifier le nom des haut-parleurs. Ensuite, appuyez sur Suivant.
13. Veuillez patienter jusqu'à ce que votre appareil se connecte à votre réseau sans fil et vérifie les mises à jour. Ce processus peut prendre quelques minutes.
14. Vous serez maintenant invité à activer Google Cast. Veuillez consulter la section « Activation de Google Cast » pour plus d'informations.
15. Votre enceinte est désormais prête à être utilisée avec Spotify Connect, Tidal Connect ou Apple AirPlay.

Activation de Google Cast

L'application Tivoli Audio Setup est nécessaire pour activer Google Cast sur les appareils Android et iOS.

1. Une fois votre Model One Digital connecté au Wi-Fi, vous pouvez activer Google Cast.
2. Lors de la première connexion d'un Model One Digital au Wi-Fi, vous serez invité à activer Google Cast. Vous pouvez également activer Google Cast ultérieurement en accédant au menu Paramètres de l'appareil et en appuyant sur le paramètre Google Cast.
3. Veuillez consulter les Conditions d'utilisation de Google, puis appuyez sur « Accepter » pour continuer.
4. Veuillez déterminer si vous souhaitez participer aux rapports d'erreur de Google. Il n'y a pas de mauvaise réponse.
5. Vous serez alors redirigé vers l'application Google Home.
6. Recherchez votre Model One Digital dans l'onglet Périphériques sous Périphériques locaux.
7. Veuillez ajouter cette enceinte à la maison et à la pièce de votre choix.
8. Votre M1D3 est désormais prêt à être utilisé avec Google Cast. Diffusez vos contenus préférés depuis votre téléphone, votre tablette ou votre ordinateur portable vers votre enceinte.

Comment utiliser Google Cast :

1. Veuillez ouvrir n'importe quelle application compatible avec Cast.
2. Veuillez sélectionner le bouton CAST dans l'application.
3. Veuillez sélectionner le modèle One Digital.
4. Veuillez appuyer sur le bouton PLAY dans l'application.

Pour obtenir une assistance supplémentaire, veuillez consulter le site support.google.com/chromecast.

Comment utiliser Apple AirPlay :

1. Veuillez connecter votre appareil iOS au même réseau que votre Model One Digital.

2. Sur votre appareil iOS, veuillez ouvrir le Centre de contrôle.
3. Veuillez appuyer longuement sur la carte audio dans le coin supérieur droit, puis sélectionner AirPlay.
4. Veuillez sélectionner votre Model One Digital dans la liste des appareils AirPlay disponibles et commencez la lecture.

Pour obtenir une assistance supplémentaire, veuillez consulter le site support.apple.com.

Comment utiliser Spotify Connect :

Veuillez utiliser votre téléphone, votre tablette ou votre ordinateur comme télécommande pour Spotify. Veuillez vous rendre sur spotify.com/connect pour découvrir comment procéder.

Le logiciel Spotify est soumis à des licences tierces disponibles ici : <https://www.spotify.com/connect/third-party-licenses>

Comment utiliser TIDAL Connect :

1. Lancez la lecture d'une chanson et appuyez sur la barre « En cours de lecture ».
2. Veuillez appuyer sur le sélecteur d'appareil en haut à droite.
3. Veuillez sélectionner un appareil compatible avec TIDAL Connect.

Commande de Lunette

Lors de la diffusion en continu de toute source musicale via WiFi, la molette Bezel effectue les opérations suivantes :

Lecture/Pause : pour lancer ou interrompre la lecture de musique, veuillez appuyer brièvement sur la lunette.

Piste suivante : pour passer à la piste suivante d'un album ou d'une liste de lecture, veuillez tourner la molette vers la droite.

Piste précédente : Pour accéder à la piste précédente d'un album ou d'une liste de lecture, veuillez tourner la molette vers la gauche.

Mode Aux In

Votre Model One Digital peut être utilisé comme haut-parleur autonome. Il suffit d'utiliser un câble stéréo de 3,5 mm pour connecter n'importe quelle source de niveau ligne ou casque à l'entrée AUX située à l'arrière de votre radio. Vous pouvez contrôler le volume du haut-parleur à l'aide du bouton de volume du Model One Digital ou du bouton de volume de votre source audio.

Mode Bluetooth

Accord

Votre Model One Digital peut fonctionner comme une enceinte Bluetooth autonome.

1. Sur votre radio, appuyez une fois sur le bouton POWER/SOURCE/VOLUME jusqu'à ce que l'écran du Model One Digital affiche « Bluetooth ».
2. Sur votre radio, veuillez appuyer sur le bouton BEZEL et le maintenir enfoncé jusqu'à ce que l'écran du Model One Digital affiche « Pairing Enabled » (Appairage activé).
3. Veuillez accéder à l'écran des paramètres Bluetooth de votre téléphone ou tablette.
4. Veuillez sélectionner l'appareil dont le nom est similaire à « Tivoli M1D3_XXXXXX ».
5. Une fois que la radio affiche « Pairing Success » (Appairage réussi) à l'écran, vous êtes appairé à la radio.
6. Vous pouvez commencer à écouter votre musique via Bluetooth.

Commande de Lunette

Lors de la diffusion en continu de toute source musicale via Bluetooth, la molette Bezel effectue les opérations suivantes :

Lecture/Pause : Pour lancer ou interrompre la lecture de musique, veuillez appuyer une fois sur la lunette.

Piste suivante : pour passer à la piste suivante d'un album ou d'une liste de lecture, veuillez tourner la molette vers la droite.

Piste précédente : pour accéder à la piste précédente d'un album ou d'une liste de lecture, veuillez tourner la molette vers la gauche.

Activer le couplage : pour activer le couplage, veuillez appuyer longuement sur la lunette jusqu'à ce que l'écran affiche « Couplage activé ».

Mode FM

Commande de Lunette

Réglage manuel : pour régler manuellement une station à une fréquence plus élevée, veuillez tourner la lunette vers la droite.

Réglage manuel vers le bas : pour régler manuellement sur une station à fréquence plus basse, veuillez tourner la molette vers la gauche.

Autoscan Up : Pour effectuer un balayage automatique vers une fréquence plus élevée, veuillez appuyer deux fois rapidement sur le cadre.

Ajouter une station à vos stations pré-réglées : pour ajouter une station à vos stations pré-réglées enregistrées, veuillez appuyer une fois sur la molette. Il est également possible d'ajouter des pré-réglages à l'aide de votre télécommande. Il suffit de maintenir enfoncé le numéro du pré-réglage que vous souhaitez utiliser et d'attendre la confirmation à l'écran. Pour supprimer le pré-réglage, maintenez enfoncé le bouton de la télécommande ou appuyez longuement sur la molette.

Mode DAB

Commande de lunette

Réglage manuel : pour régler manuellement une station à une fréquence plus élevée, veuillez tourner la lunette vers la droite.

Réglage manuel vers le bas : pour régler manuellement la fréquence vers le bas, tournez la molette vers la gauche.

Nouvelle recherche : pour effectuer une nouvelle recherche de toutes les stations, veuillez appuyer deux fois rapidement sur le cadre.

Ajouter une station à vos stations pré-réglées : pour ajouter une station à vos stations pré-réglées enregistrées, veuillez appuyer une fois sur la molette. Une fois ajoutée, vous pouvez y accéder à l'aide de la télécommande. Il est également possible d'ajouter des pré-réglages à l'aide de votre télécommande. Il suffit de maintenir enfoncé le numéro du pré-réglage que vous souhaitez utiliser et d'attendre la confirmation à l'écran. Pour supprimer le pré-réglage, maintenez enfoncé le bouton de la télécommande ou appuyez longuement sur la molette.

Remarque : le DAB n'est disponible que dans les pays pris en charge.

Paramètres

Remarque : toutes ces fonctions sont accessibles à l'aide de la télécommande via le bouton « Settings » (Paramètres). Vous pouvez également accéder au menu « Settings » (Paramètres) en appuyant simultanément sur le bouton « Bezel » (Bordure) et le bouton « Power/Source/Volume » (Alimentation/Source/Volume) et en les maintenant enfoncés.

Réglage de la puissance de balayage FM

En mode FM, veuillez appuyer sur le bouton « Settings » de la télécommande, puis utilisez les flèches de navigation jusqu'à ce que « FM Scan Strength » s'affiche à l'écran. Appuyez sur le bouton « SELECT » de la télécommande. Sélectionnez l'intensité de balayage souhaitée à l'aide des flèches de navigation, puis appuyez sur le bouton « SELECT » pour confirmer.

Contraste

Veuillez appuyer sur le bouton « Settings » (Paramètres) de la télécommande, puis utiliser les flèches de navigation jusqu'à ce que « Contrast » (Contraste) s'affiche à l'écran. Appuyez sur le bouton « SELECT » (Sélectionner) de la télécommande. Utilisez les flèches de navigation jusqu'à obtenir le contraste souhaité, puis appuyez sur le bouton « SELECT » (Sélectionner) pour confirmer.

Activation Automatique de l'Heure

Pour permettre à votre Model One Digital de mettre à jour l'heure via WiFi, FM ou DAB, sélectionnez « Activer ». Si vous sélectionnez « Désactiver », vous devrez régler l'heure manuellement.

Réglage Manuel de l'Heure

Veillez appuyer sur le bouton « Settings » (Paramètres) de la télécommande, puis utilisez les flèches de navigation jusqu'à ce que « Manual Time Set » (Réglage manuel de l'heure) s'affiche à l'écran. Appuyez sur le bouton « SELECT » (Sélectionner). Sélectionnez l'heure à l'aide des flèches de navigation, puis appuyez sur « SELECT » pour confirmer. Répétez cette opération pour sélectionner les minutes, le midi, le jour, le mois et l'année. Pour confirmer, sélectionnez « YES » (Oui), puis appuyez sur le bouton « SELECT ».

Réglage de l'Alarme

Veillez appuyer sur le bouton « Settings » (Paramètres) de la télécommande, puis utilisez les flèches de navigation jusqu'à ce que « Alarm Set » (Réglage de l'alarme) s'affiche à l'écran. Appuyez sur le bouton « SELECT » (Sélectionner) de la télécommande. Sélectionnez l'heure à l'aide des flèches de navigation, puis appuyez sur « SELECT » (Sélectionner) pour confirmer. Répétez cette opération pour sélectionner les minutes et indiquer si vous souhaitez que l'alarme soit active. Pour confirmer, sélectionnez « YES » (Oui), puis appuyez sur le bouton « SELECT » (Sélectionner) de la télécommande.

Heure de Coucher

Veillez appuyer sur le bouton « Settings » (Paramètres) de la télécommande, puis le tourner jusqu'à ce que « Sleep Time Set » (Réglage de la durée de veille) s'affiche à l'écran. Appuyez sur le bouton « SELECT » (Sélectionner) de la télécommande. Sélectionnez l'heure à l'aide des flèches de navigation, puis appuyez sur « SELECT » pour confirmer. Répétez l'opération pour sélectionner les minutes. Pour confirmer, sélectionnez « YES » (Oui), puis appuyez sur le bouton « SELECT ».

Arrêt Automatique

Cela permet à votre Model One Digital de s'éteindre automatiquement s'il reste inactif pendant un certain temps. Veillez appuyer sur le bouton « Settings » (Paramètres) de la télécommande, puis utilisez les flèches de navigation jusqu'à ce que « Auto Power Off » (Arrêt automatique) s'affiche à l'écran. Veillez appuyer sur le bouton « SELECT » (Sélectionner) de la télécommande. Utilisez les flèches de navigation jusqu'à ce que la confirmation s'affiche, puis appuyez sur le bouton « SELECT » (Sélectionner) pour confirmer. « Enable » (Activer) permet de configurer l'appareil pour qu'il s'éteigne après une période d'inactivité. « Disable » (Désactiver) désactive cette fonction et votre appareil restera toujours allumé jusqu'à ce que vous l'éteigniez manuellement.

Version FW

Veillez appuyer sur le bouton « Settings » (Paramètres) de la télécommande, puis utiliser les flèches de navigation jusqu'à ce que « FW Version » (Version du micrologiciel) s'affiche à l'écran. Appuyez sur « SELECT » (Sélectionner) pour afficher la version actuelle

Réinitialisation d'Usine

Une réinitialisation d'usine restaurera tous les paramètres par défaut des fonctionnalités du Model One Digital. Veillez appuyer sur le bouton « Settings » (Paramètres) de la télécommande, puis utilisez les flèches

de navigation jusqu'à ce que « Factory Reset » (Réinitialisation d'usine) s'affiche à l'écran. Appuyez sur le bouton « SELECT » (Sélectionner) de la télécommande. Utilisez les flèches de navigation jusqu'à ce que la confirmation s'affiche, puis appuyez sur le bouton « SELECT » (Sélectionner) pour confirmer.

Autres Informations

Mises à Jour du Micrologiciel

Votre Model One Digital bénéficiera de mises à jour logicielles périodiques environ tous les quatre mois (et éventuellement lors de la première utilisation du produit). L'enceinte se mettra automatiquement à jour lorsqu'elle sera connectée au Wi-Fi. Aucune intervention n'est nécessaire de votre part.

Réinitialisation d'Usine

Une réinitialisation d'usine restaurera tous les paramètres par défaut de votre Model One Digital. Lorsque votre enceinte est allumée, veuillez appuyer sur les boutons Setup et Mute et les maintenir enfoncés jusqu'à ce que le message « Factory Resetting... » (Réinitialisation d'usine en cours...) s'affiche à l'écran. Relâchez ensuite les boutons. Le Model One Digital redémarrera automatiquement une fois la réinitialisation d'usine terminée. Vous pouvez également accéder à la fonction Factory Reset (Réinitialisation d'usine) via le menu Settings (Paramètres).

Mode Veille

Si votre Model One Digital est sous tension et inutilisé, il passera automatiquement en mode veille.

Veille normale : lorsque le Model One Digital n'est pas connecté au Wi-Fi ou couplé à un appareil Bluetooth, l'enceinte passe en mode veille normale après 20 minutes d'inactivité audio. Pour réactiver l'enceinte, veuillez appuyer une fois sur le bouton d'alimentation/source. La consommation électrique en mode veille normale est inférieure à 0,5 W.

Veille réseau : lorsque le Model One Digital est connecté au Wi-Fi et/ou appairé à Bluetooth, l'enceinte passe en veille réseau après 20 minutes d'inactivité audio. Pour réactiver l'enceinte, veuillez appuyer une fois sur le bouton Power/Source ou sélectionner l'enceinte dans le Centre de contrôle, le menu CAST, le menu Spotify Connect ou le menu Tidal Connect. La consommation électrique en mode veille réseau est inférieure à 2 W.

Soins

Il est recommandé d'utiliser un chiffon sec pour nettoyer l'arrière, le boîtier en bois et la grille métallique de votre Model One Digital. Veuillez ne pas l'exposer à l'eau.

Garantie Limitée

Tivoli Audio fabrique ses produits selon des normes très strictes et nous sommes convaincus que nos produits fonctionneront bien. En conséquence, nous garantissons nos produits contre les défauts de fabrication et de main-d'œuvre au propriétaire initial, pour une période d'un an aux États-Unis et de deux ans dans l'Union européenne à compter de la date d'achat initiale. Dans les pays où la durée minimale de la garantie est déterminée par la loi, la durée de la garantie correspond à la période statutaire requise. Dans tous les autres pays, la durée de la garantie est d'un an.

Cette garantie ne s'étend pas aux dommages causés par une installation incorrecte, un équipement auxiliaire défectueux, des modifications, des réparations non autorisées, des dommages ou pertes dus au transport, des abus, des accidents, une utilisation sur une tension/courant inappropriée, la foudre ou d'autres catastrophes naturelles, l'usure normale, l'utilisation commerciale ou l'achat auprès de revendeurs non agréés. Une preuve d'achat attestant que l'appareil a été acheté auprès d'un revendeur agréé pendant la période de garantie peut être exigée pour bénéficier du service de garantie. Si une intervention est nécessaire, ne renvoyez PAS le produit sans avoir au préalable contacté votre revendeur ou Tivoli Audio.

Cette garantie n'est pas transférable. Tivoli Audio ne paiera pas pour la perte de temps, les inconvénients, la perte d'utilisation du produit ou les dommages causés par ce produit.

Cette garantie vous donne des droits légaux spécifiques et vous pouvez également avoir d'autres droits qui varient d'un État à l'autre. Certains États n'autorisent pas la limitation des garanties implicites ou l'exclusion des dommages indirects, il se peut donc que ces restrictions ne s'appliquent pas à vous.

Pour plus d'informations sur la garantie, veuillez nous rendre visite à l'adresse suivante:

www.tivoliaudio.com

Pour obtenir des informations sur la garantie européenne, veuillez consulter notre site Internet à l'adresse suivante: www.tivoliaudio.eu

BENVENUTI

Grazie per aver scelto Tivoli Audio.

Model One Digital - Generation 3

Wi-Fi / DAB* / FM / Bluetooth® Radio

Il Model One Digital Generation 3 consente di connettersi facilmente al Wi-Fi e ai servizi di streaming delle app preferite tramite AirPlay e Google Cast. In alternativa, è possibile ascoltare le trasmissioni radiofoniche locali in FM o DAB (ove disponibili). Con tutte queste opzioni di ascolto e un suono avvolgente, il Model One Digital rappresenta un modo eccellente per apprezzare la musica e lo stile con la tecnologia più recente integrata.

Si prega di dedicare qualche minuto alla lettura del presente manuale d'uso e delle istruzioni di sicurezza. In caso di domande, non esitare a contattare il proprio rivenditore o Tivoli Audio.

*DAB/DAB+ è disponibile solo nei paesi supportati.

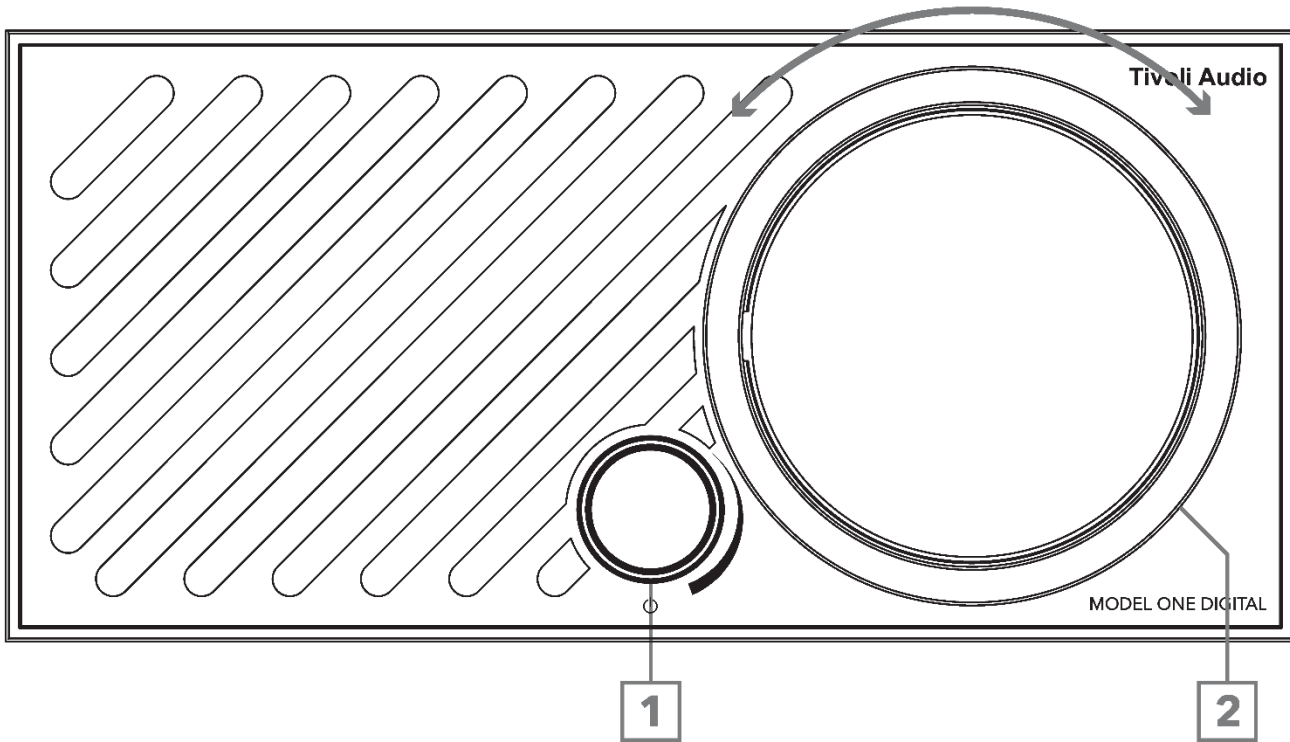
Nella confezione del Model One Digital sono inclusi:

- (1) Alimentazione esterna
- (1) Antenna telescopica FM/DAB (già installata)
- (1) Telecomando (batteria inclusa)

Si prega di contattare il proprio rivenditore o Tivoli Audio qualora uno qualsiasi di questi articoli risultasse mancante.

Guida alle Funzionalità

Pannello Frontale



1. **Manopola POWER/SOURCE/VOLUME:** premere una volta per accendere l'unità, tenere premuto per spegnerla. Quando è accesa, premere una sola volta per scorrere tra le sorgenti WiFi, FM, DAB (se disponibile), Bluetooth e Ausiliaria. Ruoti a destra per aumentare il volume, a sinistra per diminuirlo.

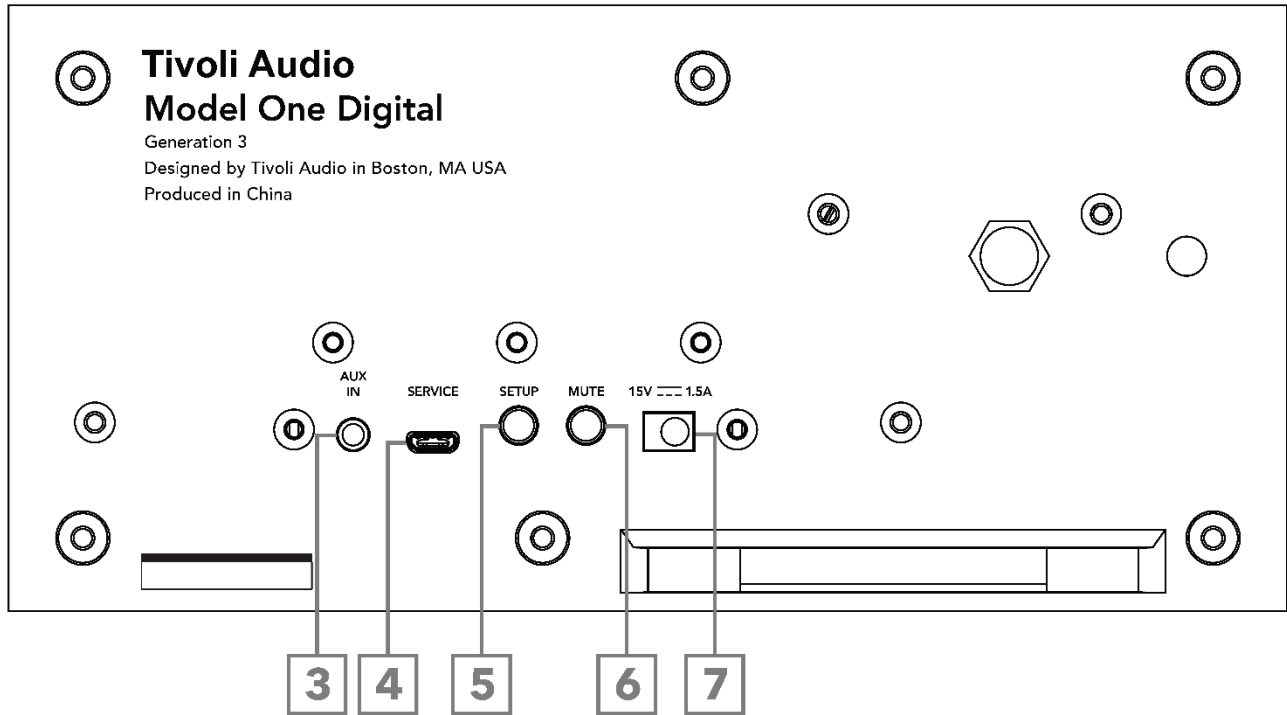
2. CONTROLLO DELLA ZONA:

In modalità FM/DAB: Giri a sinistra per sintonizzarsi verso il basso. Giri a destra per sintonizzarsi verso l'alto. Premere una volta per aggiungere una stazione alle preselezioni. Doppia pressione per scansionare o ricaricare l'elenco delle stazioni DAB o passare alla stazione FM successiva.

In modalità Bluetooth: Giri a sinistra per passare al brano precedente. Giri a destra per passare al brano successivo. Premere una sola volta per riprodurre/ mettere in pausa. Tenga premuto per accedere alla modalità di accoppiamento Bluetooth.

In modalità Streaming WiFi: Giri a sinistra per passare al brano precedente. Giri a destra per passare al brano successivo. Premere una sola volta per riprodurre/ mettere in pausa.

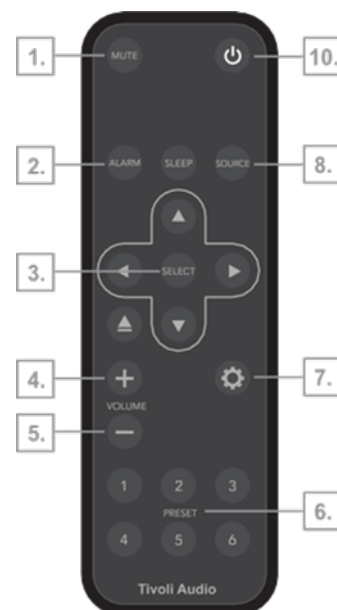
Pannello Posteriore



3. **INGRESSO AUX:** Inserisca un cavo stereo da 3,5 mm per un'esperienza indipendente.
4. **SERVIZIO:** Porta di servizio micro USB. Da utilizzare solo da parte di un centro di assistenza autorizzato Tivoli.
5. **SETUP:** tocchi per abilitare il suo diffusore alla connessione alla rete domestica.
6. **MUTE:** selezioni per disattivare il volume del suo Model One Digital.
7. **Alimentazione DC:** Inserisca l'adattatore di alimentazione Tivoli Audio in dotazione per alimentare il suo Model One Digital.

Telecomando

1. **MUTE:** silenzia la radio.
2. **ALLARME:** Premere per impostare l'allarme radio.
3. **FRECCE DI NAVIGAZIONE/SELEZIONE:** Utilizzi le frecce per navigare tra le opzioni sullo schermo e confermi le opzioni con il pulsante SELEZIONA.
4. **VOLUME SU:** premere per alzare il volume.
5. **VOLUME GIÙ:** premere per abbassare il volume.
6. **PULSANTI DI PRESELEZIONE:** Tenere premuto per salvare una nuova stazione radio. Premere una volta per richiamare una stazione radio salvata.
7. **IMPOSTAZIONI:** Premere per accedere al menu completo delle impostazioni.
8. **FONTE:** Premere per cambiare la sorgente radio.
9. **SLEEP:** premere per impostare il timer del sonno.
10. **POWER:** premere per accendere e spegnere la radio.



ATTENZIONE: NON INGERIRE LA BATTERIA, RISCHIO DI USTIONI CHIMICHE. Il

telecomando fornito con questo prodotto contiene una batteria a moneta/pulsante. Se la batteria a bottone/moneta viene ingerita, può causare gravi ustioni interne in sole 2 ore e può portare alla morte. Tenga le batterie nuove e usate lontano dalla portata dei bambini. Se il vano batteria non si chiude saldamente, smetta di usare il prodotto e lo tenga lontano dai bambini. Se pensa che le batterie possano essere state ingerite o inserite in una parte del corpo, si rivolga immediatamente a un medico.



Impostazione dell'Allarme

Prema il pulsante ALLARME sul telecomando. Selezioni l'ora utilizzando le frecce di navigazione e prema SELECT per confermare. Ripeta l'operazione per selezionare i minuti e se desidera che l'allarme sia attivo. Per confermare, selezioni SI e poi prema il pulsante SELEZIONE sul telecomando.

Impostazione dell'ora del sonno

Prema il pulsante SLEEP sul telecomando. Selezioni l'ora utilizzando le frecce di navigazione e prema SELECT per confermare. Ripeta l'operazione per selezionare i minuti. Per confermare, selezioni SÌ e poi prema il pulsante SELEZIONE.

Modalità WiFi

Configurazione Wi-Fi con Apple AirPlay

1. Accenda l'unità premendo la manopola di accensione o il pulsante di accensione sul telecomando.
 2. Imposti il suo diffusore in modalità Wi-Fi premendo brevemente la manopola di accensione fino a quando lo schermo visualizza Sorgente WiFi. Il Model One Digital entrerà automaticamente in modalità Impostazione Wi-Fi una volta inizializzato il WiFi. Se il suo diffusore non è in modalità Impostazione Wi-Fi: prema il pulsante "Impostazione" sul retro del diffusore.
 3. Sul suo dispositivo iOS, vada su Impostazioni Wi-Fi. Si assicuri di collegare il dispositivo iOS alla rete che intende utilizzare il suo Model One Digital.
 4. Scorra in basso fino a "Imposta nuovo altoparlante AirPlay..." e selezioni "Tivoli Audio M1D3_XXXXXX".
 5. Rinomini il suo diffusore (consigliato) e crei una password (opzionale).
 6. Selezioni "Avanti" e attenda la connessione.
 7. Attenda la conferma della connessione, selezioni "Fatto".
 8. Una volta collegato, il display confermerà con un messaggio "WiFi Connected".
 9. Il suo diffusore è ora pronto per essere utilizzato con AirPlay. Con AirPlay, ha il controllo del suo audio.
- Per ulteriore assistenza, visiti il sito support.apple.com.

Configurazione Wi-Fi con l'App Tivoli Audio Setup

Necessario per i dispositivi Android per collegare l'M1D3 al Wi-Fi. Se sta collegando il suo diffusore con un dispositivo Apple iOS, scarichi l'App Tivoli Audio Setup o segua le istruzioni "Impostazione Wi-Fi con Apple AirPlay".

1. Installi l'applicazione Tivoli Audio Setup scaricando l'applicazione sul suo smartphone o tablet abilitato a Cast. L'applicazione Tivoli Audio Setup è disponibile gratuitamente su Google Play e Apple App Store.
2. Consentire le autorizzazioni a Wi-Fi, Bluetooth, Dispositivi vicini e Posizione durante l'uso.
3. Si assicuri di collegare il suo smartphone/tablet alla stessa rete che intende utilizzare con il suo Model One Digital con Google Cast.
4. Se non l'ha ancora fatto, attivi la connessione Bluetooth del suo telefono. Ciò consente di inviare le informazioni WiFi al diffusore in modo affidabile.
5. Accenda il suo diffusore premendo brevemente la manopola di accensione.
6. Imposti il suo diffusore in modalità Wi-Fi premendo brevemente la manopola di accensione finché lo schermo non visualizza "WiFi".
7. Una volta inizializzato il WiFi, lo schermo indicherà la modalità WiFi Setup Enabled. Se il suo diffusore non è in modalità Impostazione WiFi, prema il pulsante Impostazione sul retro della radio.
8. Apra l'applicazione Tivoli Audio Setup sul suo smartphone/tablet.
9. Tocca "Imposta nuovo dispositivo" o "+ Aggiungi" nella parte inferiore dello schermo e segue le indicazioni sullo schermo.
10. Attenda che l'applicazione esegua una scansione dei diffusori disponibili, quindi selezioni l'M1D3 che desidera configurare.

11. Confermi di aver sentito il rumore.
12. Nella schermata successiva, selezioni l'indirizzo Wi-Fi corretto e inserisca la password Wi-Fi. Può anche modificare il nome degli altoparlanti. Quindi tocchi Avanti.
13. Attenda che il dispositivo si connetta alla rete wireless e verifichi la presenza di aggiornamenti. Questo processo potrebbe richiedere alcuni minuti.
14. Ora le verrà richiesto di attivare Google Cast. Per saperne di più, consulti la sezione "Attivazione di Google Cast".
15. Il suo diffusore è ora pronto per essere utilizzato con Spotify Connect, Tidal Connect o Apple AirPlay.

Attivare Google Cast

L'App Tivoli Audio Setup è necessaria per attivare Google Cast sui dispositivi Android e iOS.

1. Una volta che il suo Model One Digital è connesso al Wi-Fi, può attivare Google Cast.
2. Quando collega per la prima volta un Model One Digital al Wi-Fi, le verrà richiesto di attivare Google Cast. Può anche attivare Google Cast in un secondo momento, accedendo al menu Impostazioni del dispositivo e toccando l'impostazione Google Cast.
3. Esamini i Termini di servizio di Google, tocchi "Accetta" per procedere.
4. Decida se desidera o meno aderire ai rapporti di crash di Google, non c'è una risposta sbagliata!
5. Verrà ora indirizzato all'applicazione Google Home.
6. Cerchi il suo Model One Digital nella scheda Dispositivi, sotto Dispositivi locali.
7. Aggiunga questo diffusore alla Casa e alla Stanza di sua scelta.
8. Il suo M1D3 è ora pronto per essere utilizzato con Google Cast. Trasmetta in streaming l'intrattenimento che ama dal suo telefono, tablet o computer portatile al suo diffusore.

Come utilizzare Google Cast:

1. Apra qualsiasi applicazione abilitata a Cast.
2. Selezioni il pulsante CAST nell'applicazione.
3. Selezioni il Modello One Digital.
4. Prema il pulsante PLAY nell'applicazione.

Per ulteriore assistenza, visiti il sito support.google.com/chromecast.

Come utilizzare Apple AirPlay:

1. Colleghi il suo dispositivo iOS alla stessa rete del suo Model One Digital.
2. Sul suo dispositivo iOS, apra il Centro di Controllo.
3. Tenga premuta la scheda audio nell'angolo superiore destro, quindi tocchi AirPlay.
4. Selezioni il suo Model One Digital dall'elenco dei dispositivi AirPlay disponibili e inizi la riproduzione.

Per ulteriore assistenza, visiti il sito support.apple.com.

Come utilizzare Spotify Connect:

Utilizzi il suo telefono, tablet o computer come telecomando per Spotify. Vada su spotify.com/connect per sapere come fare.

Il Software Spotify è soggetto a licenze di terze parti che si trovano qui:

<https://www.spotify.com/connect/third-party-licenses>

Come utilizzare TIDAL Connect:

1. Riproduca una canzone e tocchi la barra 'In riproduzione'.
2. Tocca il selettore del dispositivo in alto a destra.
3. Scegli un dispositivo abilitato a TIDAL Connect.

Controllo della Lunetta

Durante lo streaming di qualsiasi sorgente musicale tramite WiFi, la ruota Bezel esegue le seguenti operazioni:

Riproduzione/Pausa: Per riprodurre o mettere in pausa la musica, premere brevemente la Lunetta

Traccia successiva: Per passare al brano successivo di un album o di una playlist, ruoti la lunetta verso destra.

Traccia precedente: Per passare al brano precedente di un album o di una playlist, ruoti la lunetta verso sinistra.

Modalità Aux In

Il suo Model One Digital può essere utilizzato come altoparlante indipendente. Basta utilizzare un cavo stereo da 3,5 mm per collegare qualsiasi sorgente di livello linea o cuffia all'ingresso AUX sul retro della radio. Può controllare il volume dell'altoparlante utilizzando il controllo del volume del Model One Digital o il controllo del volume della sorgente audio.

Modalità Bluetooth

Accoppiamento

Il suo Model One Digital può fungere da altoparlante Bluetooth autonomo.

1. Sulla sua radio, prema singolarmente la manopola POWER/SOURCE/VOLUME fino a quando sullo schermo del Model One Digital appare la scritta "Bluetooth".
2. Sulla sua radio, tenga premuto il BEZEL fino a quando sullo schermo del Model One Digital appare la scritta "Accoppiamento abilitato".
3. Vada alla schermata delle impostazioni Bluetooth sul suo telefono o tablet.
4. Selezioni il dispositivo che ha un nome simile a "Tivoli M1D3_XXXX".
5. Una volta che la radio visualizza "Accoppiamento riuscito" sul suo schermo, lei è accoppiato alla radio.

6. Può iniziare a riprodurre la sua musica tramite Bluetooth.

Controllo della Lunetta

Durante lo streaming di qualsiasi sorgente musicale tramite Bluetooth, la ruota Bezel esegue le seguenti operazioni:

Riproduzione/Pausa: Per riprodurre o mettere in pausa la musica, premere una sola volta la lunetta

Traccia successiva: Per passare al brano successivo di un album o di una playlist, ruoti la lunetta verso destra.

Traccia precedente: Per passare al brano precedente di un album o di una playlist, ruoti la lunetta verso sinistra.

Abilitare l'accoppiamento: Per abilitare l'accoppiamento, tenga premuto il coperchio fino a quando sullo schermo non appare "Accoppiamento abilitato".

Modalità FM

Controllo della Lunetta

Sintonizzazione manuale: per sintonizzarsi manualmente su una stazione di frequenza superiore, ruoti la lunetta verso destra.

Sintonia manuale: per sintonizzarsi manualmente su una stazione di frequenza inferiore, ruoti la lunetta verso sinistra.

Autoscan Up: Per eseguire l'autoscansione a una frequenza superiore, prema rapidamente due volte la lunetta.

Aggiungere una stazione alle stazioni preimpostate: Per aggiungere una stazione alle stazioni preimpostate salvate, prema una volta la lunetta. È anche possibile aggiungere preselezioni utilizzando il telecomando. Basta tenere premuto il numero di preselezione che desidera utilizzare e attendere la conferma sullo schermo. Per eliminare il preset, tenga premuto il pulsante sul telecomando o prema a lungo sul controllo della lunetta.

Modalità DAB

Controllo della Lunetta

Sintonizzazione manuale: per sintonizzarsi manualmente su una stazione di frequenza superiore, ruoti la lunetta verso destra.

Sintonia manuale: per sintonizzarsi manualmente su una stazione di frequenza inferiore, ruoti la lunetta verso sinistra.

Rescan: Per effettuare una nuova scansione di tutte le stazioni, prema rapidamente due volte la lunetta.

Aggiungere una stazione alle stazioni preimpostate: Per aggiungere una stazione alle stazioni preimpostate salvate, prema una volta la lunetta. Una volta aggiunta, potrà accedervi utilizzando il telecomando. È anche possibile aggiungere preselezioni utilizzando il telecomando. Basta tenere premuto il numero di preselezione che desidera utilizzare e attendere la conferma sullo schermo. Per eliminare il preset, tenga premuto il pulsante sul telecomando o prema a lungo sul controllo della lunetta.

Nota: il DAB è disponibile solo nei Paesi supportati.

Impostazioni

Nota: tutte queste funzioni sono disponibili attraverso il telecomando, utilizzando il pulsante Impostazioni. Può anche accedere al Menu Impostazioni tenendo premuti insieme la lunetta e la manopola Alimentazione/Fonte/Volume.

Impostazione dell'Intensità della Scansione FM

In modalità FM, prema il pulsante Impostazioni sul telecomando, quindi utilizzi le frecce di navigazione fino a quando sullo schermo appare "Intensità scansione FM". Prema il pulsante SELEZIONA sul telecomando. Selezioni l'intensità di scansione desiderata con le frecce di navigazione, quindi prema il pulsante SELEZIONA per confermare.

Contrasto

Prema il pulsante Impostazioni sul telecomando, quindi utilizzi le frecce di navigazione finché sullo schermo non appare "Contrasto". Prema il pulsante SELEZIONA sul telecomando. Utilizzi le frecce di navigazione fino a raggiungere il Contrasto desiderato, quindi prema il pulsante SELEZIONA per confermare.

Abilitazione del Tempo Automatico

Per consentire al suo Model One Digital di aggiornare l'ora tramite WiFi, FM o DAB, imposti su "Abilita". Selezionando "Disabilita" dovrà impostare manualmente l'ora.

Impostazione Manuale dell'Ora

Prema il pulsante Impostazioni sul telecomando, quindi utilizzi le frecce di navigazione finché sullo schermo non appare "Impostazione manuale dell'ora". Prema il pulsante SELEZIONA. Selezioni l'ora utilizzando le frecce di navigazione e prema SELECT per confermare. Ripeta l'operazione per selezionare i minuti, il meridiano, il giorno, il mese e l'anno. Per confermare, selezioni SÌ e poi prema il pulsante SELEZIONE.

Allarme Impostato

Prema il pulsante Impostazioni sul telecomando, quindi utilizzi le frecce di navigazione fino a quando sullo schermo non appare "Imposta sveglia". Prema il pulsante SELEZIONA sul telecomando. Selezioni l'ora utilizzando le frecce di navigazione e prema SELECT per confermare. Ripeta l'operazione per selezionare i

minuti e se desidera che la sveglia sia attiva. Per confermare, selezioni SÌ e poi prema il pulsante SELEZIONE sul telecomando.

Impostazione dell'Ora del Sonno

Prema il pulsante Impostazioni sul telecomando, quindi lo ruoti fino a quando sullo schermo appare "Impostazione tempo di riposo". Premere il pulsante SELEZIONA sul telecomando. Selezioni l'ora utilizzando le frecce di navigazione e prema SELEZIONA per confermare. Ripeta l'operazione per selezionare i minuti. Per confermare, selezioni SÌ e poi prema il pulsante SELEZIONE.

Spegnimento Automatico

Ciò consente al suo Model One Digital di spegnersi da solo se rimane inattivo per un certo periodo di tempo. Prema il pulsante Impostazioni sul telecomando, quindi utilizzi le frecce di navigazione finché sullo schermo non appare "Spegnimento automatico". Prema il pulsante SELEZIONA sul telecomando. Utilizzi le frecce di navigazione fino a visualizzare la conferma, quindi prema il pulsante SELEZIONA per confermare. "Abilitando questa funzione, il modello si spegnerà dopo essere rimasto inattivo per un certo periodo di tempo. "Disattiva" disattiva questa funzione e l'unità rimarrà sempre accesa finché non la spegnerà manualmente.

Versione FW

Prema il pulsante Impostazioni sul telecomando, quindi utilizzi le frecce di navigazione finché sullo schermo non appare "Versione FW". Prema SELEZIONE per visualizzare la versione attuale del firmware.

Reset di Fabbrica

Un reset di fabbrica ripristinerà tutte le funzioni del Modello One Digital alle loro impostazioni predefinite. Prema il pulsante Impostazioni sul telecomando, quindi utilizzi le frecce di navigazione fino a quando sullo schermo appare "Reset di fabbrica". Prema il pulsante SELEZIONE sul telecomando. Utilizzi le frecce di navigazione finché non appare la conferma, quindi prema il pulsante SELEZIONA per confermare.

Altre Informazioni

Aggiornamenti del Firmware

Il suo Model One Digital avrà aggiornamenti periodici del software ogni 4 mesi circa (ed eventualmente anche al primo utilizzo del prodotto). Il diffusore si aggiorna automaticamente quando è collegato al WiFi. Non c'è bisogno di fare nulla!

Reset di Fabbrica

Un reset di fabbrica ripristinerà tutte le funzioni del suo Model One Digital alle impostazioni predefinite. Quando il diffusore è acceso, tenga premuti i pulsanti Setup e Mute fino a quando lo schermo conferma con un messaggio "Ripristino di fabbrica...". Rilasci i pulsanti. Il Model One Digital si riavvierà automaticamente una volta completato il reset di fabbrica. Può anche accedere al Reset di fabbrica attraverso il menu Impostazioni.

Modalità Standby

Se il suo Model One Digital è acceso e inattivo, entrerà automaticamente in modalità standby.

Standby normale: quando il Model One Digital non è stato collegato al WiFi o accoppiato al Bluetooth, il diffusore entrerà in standby normale dopo 20 minuti di assenza di riproduzione audio. Per risvegliare il diffusore, deve premere una sola volta la manopola Alimentazione/Sorgente. Il consumo di energia in modalità Standby normale è inferiore a 0,5W.

Standby di rete: quando il Model One Digital è stato collegato al WiFi e/o accoppiato al Bluetooth, il diffusore entrerà in standby di rete dopo 20 minuti di mancata riproduzione audio. Per risvegliare il diffusore, prema una sola volta la manopola Alimentazione/Sorgente o selezioni il diffusore dal Control Center, dal menu CAST, dal menu Spotify Connect o dal menu Tidal Connect. Il consumo di energia in modalità Network Standby è inferiore a 2W.

Cura

Si consiglia di utilizzare un panno asciutto per pulire il retro, il mobile in legno e la griglia metallica del suo Modello Uno Digital. Non esponga all'acqua.

Garanzia Limitata

Tivoli Audio produce i suoi prodotti secondo standard molto elevati e siamo certi che i nostri prodotti funzioneranno bene. Di conseguenza, garantiamo i nostri prodotti contro i difetti di fabbricazione nei materiali e nella lavorazione al proprietario originale, per un periodo di un anno negli Stati Uniti e di due anni nell'Unione Europea dalla data di acquisto originale. Nei Paesi in cui i termini minimi di garanzia sono stabiliti per legge, la durata della garanzia corrisponde al periodo richiesto dalla legge. In tutti gli altri paesi, la durata della garanzia è di un anno.

La garanzia non si estende ai danni causati da installazione impropria, apparecchiature ausiliarie difettose, modifiche, riparazioni non autorizzate, danni da trasporto o perdita, abuso, incidenti, utilizzo con tensione/corrente non corretta, fulmini o altre cause di forza maggiore, normale usura, uso commerciale o acquisto da rivenditori non autorizzati. Per l'assistenza in garanzia può essere richiesta una prova d'acquisto che attesti che l'unità è stata acquistata da un rivenditore autorizzato entro il periodo di garanzia. Se dovesse essere necessario un intervento di assistenza, NON restituire il prodotto senza aver prima contattato il rivenditore o Tivoli Audio.

La presente garanzia non è trasferibile. Tivoli Audio non pagherà le perdite di tempo, i disagi, la perdita di utilizzo del prodotto o i danni causati da questo prodotto.

La presente garanzia conferisce all'utente specifici diritti legali e può anche godere di altri diritti che variano da stato a stato. Alcuni stati non ammettono limitazioni alle garanzie implicite o l'esclusione di danni conseguenti, pertanto queste limitazioni potrebbero non essere applicabili.

Per ulteriori informazioni sulla garanzia, visitate il sito www.tivoliaudio.com

Per informazioni sulla garanzia europea, visitate il sito www.tivoliaudio.eu

WELKOM

Bedankt dat u voor Tivoli Audio hebt gekozen!

Model One Digital - Generation 3

Wi-Fi / DAB* / FM / Bluetooth® Radio

Met de Model One Digital Generation 3 kunt u eenvoudig verbinding maken met Wi-Fi en uw favoriete app-gebaseerde streamingdiensten via AirPlay en Google Cast. Of geniet van iets dichterbij huis met lokale radio-uitzendingen op FM of DAB (waar beschikbaar). Met al deze luisteropties en kamervullend geluid is de Model One Digital een briljante manier om van muziek en stijl te genieten met de nieuwste technologie ingebouwd.

Neem even de tijd om deze gebruikershandleiding en de veiligheidsinstructies door te lezen. Als u vragen hebt, aarzel dan niet om contact op te nemen met uw dealer of Tivoli Audio.

*DAB/DAB+ is alleen beschikbaar in ondersteunde landen.

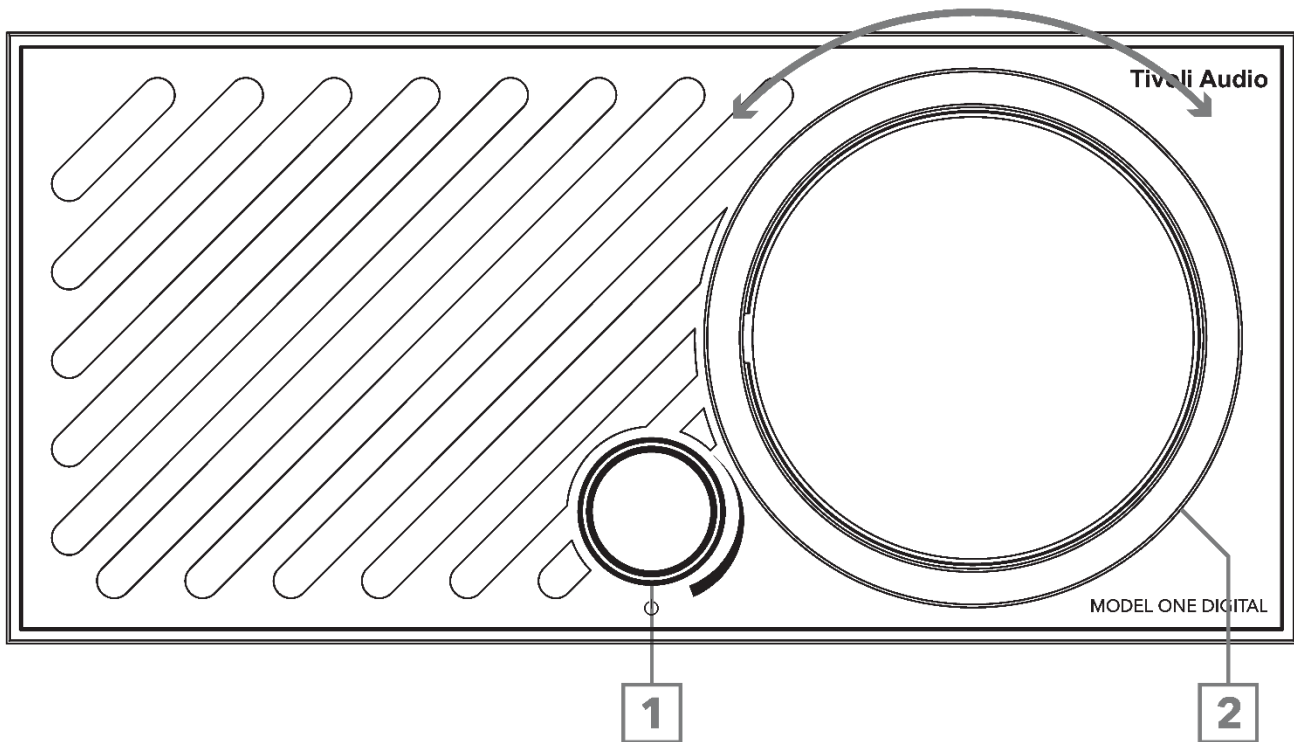
In de verpakking van uw Model One Digital vindt u:

- (1) Externe voeding
- (1) FM/DAB telescopische antenne (geïnstalleerd)
- (1) Afstandsbediening (batterij geïnstalleerd)

Neem contact op met uw dealer of Tivoli Audio als een van deze items ontbreekt.

Gids met Functies

Voorpaneel



1. **AAN/UIT/SOURCE/VOLUME knop:** Eén keer indrukken om het apparaat aan te zetten, ingedrukt houden om uit te zetten. Als het apparaat aan staat, drukt u er één keer op om te schakelen tussen WiFi, FM, DAB (indien beschikbaar), Bluetooth en Auxiliary-bronnen. Draai naar rechts om het volume te verhogen, draai naar links om het volume te verlagen.

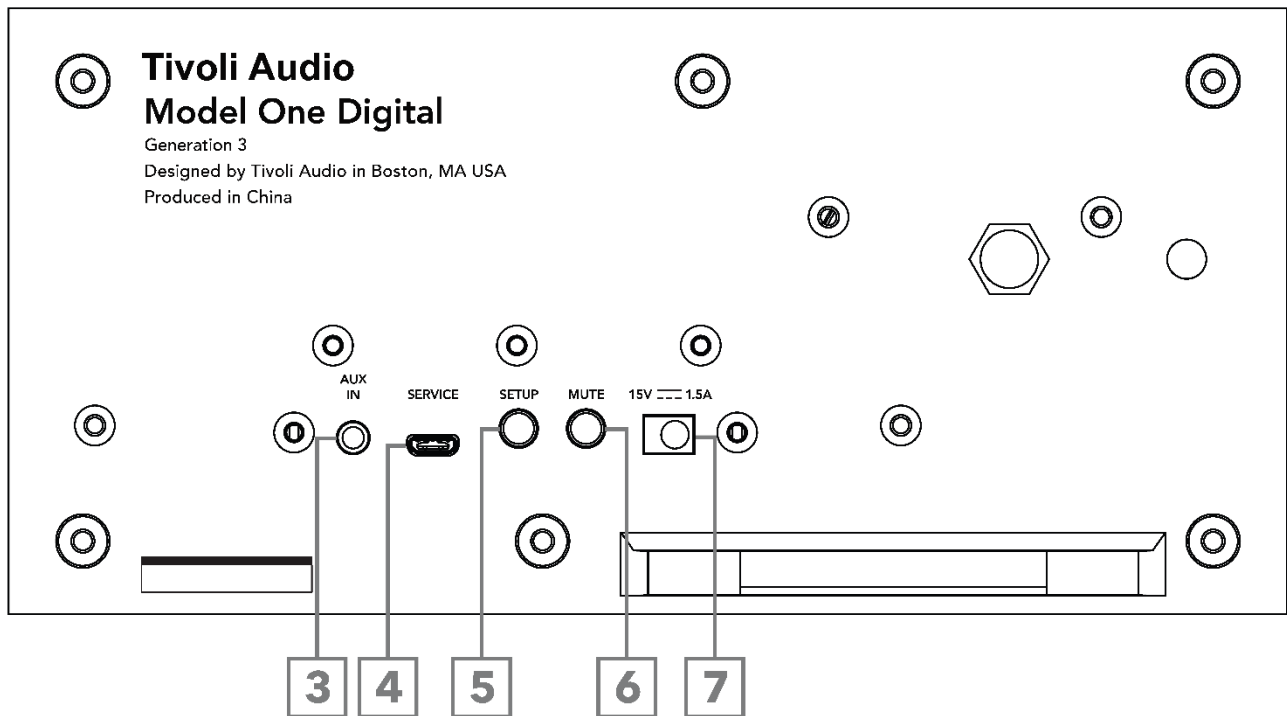
2. **BEZEL CONTROL:**

In FM/DAB-modus: Draai naar links om lager af te stemmen. Draai naar rechts om hoger af te stemmen. Eén keer drukken om een zender aan uw voorkeurszenders toe te voegen. Dubbel indrukken om de DAB-zenderlijst te scannen of opnieuw te laden of naar de volgende FM-zender te gaan.

In Bluetooth-modus: Draai naar links om naar het vorige nummer te gaan. Draai naar rechts om naar de volgende track te gaan. Eén keer drukken om af te spelen/pauzeren. Ingedrukt houden om naar de Bluetooth-koppelingsmodus te gaan.

In WiFi Streaming modus: Draai naar links om naar het vorige nummer te gaan. Draai naar rechts om naar het volgende nummer te gaan. Eén keer drukken om af te spelen/pauzeren.

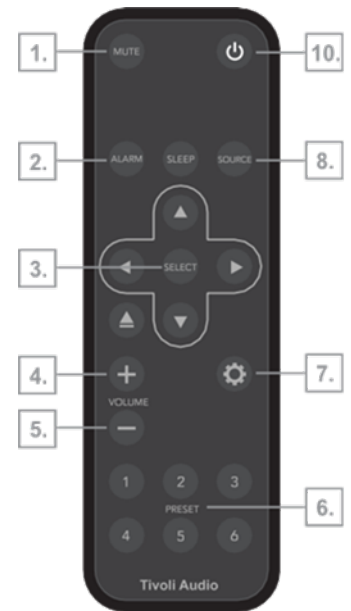
Achterpaneel



3. **AUX IN:** Sluit een 3,5mm stereokabel aan voor een standalone ervaring.
4. **SERVICE:** Micro USB servicepoort. Alleen voor gebruik door een erkend Tivoli servicecentrum.
5. **SETUP:** Tik hierop om uw luidspreker met uw thuisnetwerk te verbinden.
6. **MUTE:** Selecteer deze optie om het volume van uw Model One Digital te dempen.
7. **DC-voeding:** Sluit de meegeleverde Tivoli Audio-voedingsadapter aan om uw Model One Digital van stroom te voorzien.

Afstandsbediening

1. **MUTE:** Hiermee schakelt u het geluid van de radio uit.
2. **ALARM:** Indrukken om het radioalarm in te stellen.
3. **NAVIGATIEPIJLEN/SELECTEREN:** Gebruik de pijlen om door de opties op het scherm te navigeren en bevestig de opties met de knop SELECTEREN.
4. **VOLUME UP:** Druk hierop om het volume te verhogen.
5. **VOLUME DOWN:** Druk hierop om het volume te verlagen.
6. **PRESET KNOPPEN:** Ingedrukt houden om een nieuwe radiozender op te slaan. Eén keer drukken om een opgeslagen radiozender op te roepen.
7. **INSTELLINGEN:** Indrukken om het volledige instellingenmenu te openen.
8. **SOURCE:** Druk hierop om de radiobron te wijzigen.
9. **SLEEP:** Druk hierop om de slaaptimer in te stellen.
10. **POWER:** Druk hierop om de radio aan en uit te zetten.



WAARSCHUWING: BATTERIJ NIET INSLIKKEN, GEVAAR VOOR CHEMISCHE VERBRANDING.

De afstandsbediening die bij dit product wordt geleverd, bevat een knoopcelbatterij. Als de knoopcelbatterij wordt ingeslikt, kan dit binnen 2 uur ernstige inwendige brandwonden veroorzaken, wat tot de dood kan leiden. Houd nieuwe en gebruikte batterijen uit de buurt van kinderen. Als het batterijvakje niet goed sluit, gebruik het product dan niet meer en houd het uit de buurt van kinderen. Als u denkt dat batterijen zijn ingeslikt of in een lichaamsdeel zijn geplaatst, roep dan onmiddellijk medische hulp in.



Alarm Instellen

Druk op de knop ALARM op de afstandsbediening. Selecteer het uur met de navigatiepijlen en druk op SELECT om te bevestigen. Doe dit nogmaals om de minuten te selecteren en of u wilt dat het alarm actief is. Om te bevestigen selecteert u JA en drukt u op de knop SELECT van de afstandsbediening.

Slaaptijd Instellen

Druk op de knop SLEEP op de afstandsbediening. Selecteer het uur met de navigatiepijlen en druk op SELECT om te bevestigen. Doe dit nogmaals om de minuten te selecteren. Om te bevestigen selecteert u YES en drukt u vervolgens op de knop SELECT.

WiFi-Modus

Wi-Fi Installatie met Apple AirPlay

1. Zet uw apparaat aan door op de aan/uit-knop of de aan/uit-knop op de afstandsbediening te drukken.
 2. Stel uw luidspreker in op de Wi-Fi-modus door kort op de aan/uit-knop te drukken totdat WiFi als bron op het scherm verschijnt. De Model One Digital gaat automatisch naar de Wi-Fi setupmodus zodra de WiFi geïnitieerd is. Als uw luidspreker niet in de Wi-Fi-instelmodus staat: druk op de knop "Setup" op de achterkant van de luidspreker.
 3. Ga op uw iOS-apparaat naar Wi-Fi-instellingen. Zorg ervoor dat u uw iOS-apparaat verbindt met het netwerk waarop u uw Model One Digital wilt gebruiken.
 4. Scroll omlaag naar "Nieuwe AirPlay-luidspreker instellen..." en selecteer "Tivoli Audio M1D3_XXXXXX".
 5. Hernoem uw luidspreker (aanbevolen) en maak een wachtwoord aan (optioneel).
 6. Selecteer "Volgende" en wacht op de verbinding.
 7. Wacht op de bevestiging van de verbinding en selecteer "Done".
 8. Eenmaal verbonden zal het display bevestigen met een "WiFi Connected" bericht.
 9. Uw luidspreker is nu klaar voor gebruik met AirPlay. Met AirPlay hebt u de controle over uw audio.
- Ga voor aanvullende ondersteuning naar support.apple.com

Wi-Fi Instellen met Tivoli Audio Setup App

Vereist voor Android-apparaten om de M1D3 met Wi-Fi te verbinden. Als u uw luidspreker verbindt met een Apple iOS-apparaat, downloadt u de Tivoli Audio Setup App of volgt u de instructies voor "Wi-Fi Setup with Apple AirPlay" (Wi-Fi instellen met Apple AirPlay).

1. Installeer de Tivoli Audio Setup-app door app te downloaden op uw Cast-geschikte smartphone of tablet. De Tivoli Audio Setup-app is gratis verkrijgbaar in de Google Play en Apple App stores.
2. Toestemming geven voor Wi-Fi, Bluetooth, Apparaten in de buurt en Locatie tijdens gebruik.
3. Zorg ervoor dat u uw smartphone/tablet aansluit op hetzelfde netwerk dat u wilt gebruiken met uw Model One Digital met Google Cast.
4. Schakel de Bluetooth-verbinding van uw telefoon in als u dat nog niet hebt gedaan. Hierdoor kan uw WiFi-informatie betrouwbaar naar de luidspreker worden verzonden.
5. Zet uw luidspreker aan door kort op de aan/uit-knop te drukken.
6. Stel uw luidspreker in op de Wi-Fi-modus door kort op de aan/uit-knop te drukken totdat "WiFi" op het scherm verschijnt.
7. Zodra de WiFi geïnitieerd is, zal het scherm WiFi Setup Enabled modus aangeven. Als uw luidspreker niet in de WiFi Setup-modus staat, druk dan op de knop Setup op de achterkant van de radio.
8. Open de Tivoli Audio Setup-app op uw smartphone/tablet.
9. Tik op "Nieuw apparaat instellen" of "+ Toevoegen" onderaan het scherm en volg de aanwijzingen op het scherm.
10. Wacht tot de app naar beschikbare luidsprekers heeft gezocht en selecteer dan de M1D3 die u wilt instellen.

11. Bevestig dat u het geluid hebt gehoord.
12. In het volgende scherm selecteert u het juiste Wi-Fi-adres en voert u het Wi-Fi-wachtwoord in. U kunt ook de naam van de luidsprekers wijzigen. Tik vervolgens op Volgende.
13. Wacht tot uw apparaat verbinding maakt met uw draadloze netwerk en controleer op updates. Dit proces kan enkele minuten duren.
14. U wordt nu gevraagd om Google Cast te activeren. Zie het gedeelte "Google Cast activeren" voor meer informatie.
15. Uw luidspreker is nu klaar voor gebruik met Spotify Connect, Tidal Connect of Apple AirPlay.

Google Cast Activeren

De Tivoli Audio Setup App is vereist om Google Cast op Android- en iOS-apparaten te activeren.

1. Zodra uw Model One Digital verbonden is met Wi-Fi, kunt u Google Cast activeren.
2. Wanneer u een Model One Digital voor het eerst met Wi-Fi verbindt, wordt u gevraagd om Google Cast te activeren. U kunt Google Cast ook later activeren door naar het menu Apparaatinstellingen te gaan en op de instelling Google Cast te tikken.
3. Bekijk de Servicevoorwaarden van Google en tik op "Accepteren" om verder te gaan.
4. Beslis of u wel of niet wilt deelnemen aan de crashrapporten van Google, er is geen verkeerd antwoord!
5. U wordt nu naar de Google Home app geleid.
6. Zoek uw Model One Digital op het tabblad Apparaten onder Lokale apparaten.
7. Voeg deze luidspreker toe aan het huis en de kamer van uw keuze.
8. Uw M1D3 is nu klaar voor gebruik met Google Cast. Stream het entertainment waar u van houdt van uw telefoon, tablet of laptop naar uw luidspreker.

Hoe Google Cast Gebruiken:

1. Open een Cast-app.
2. Selecteer de knop CAST in de app.
3. Selecteer het Model One Digital.
4. Druk op de knop PLAY in de app.

Ga voor aanvullende ondersteuning naar support.google.com/chromecast

Hoe Apple AirPlay Gebruiken:

1. Sluit uw iOS-apparaat aan op hetzelfde netwerk als uw Model One Digital.
2. Open op uw iOS-apparaat het Control Center.
3. Houd de audiokaart in de rechterbovenhoek ingedrukt en tik vervolgens op AirPlay.
4. Selecteer uw Model One Digital uit de lijst met beschikbare AirPlay-apparaten en begin met afspelen.

Ga voor aanvullende ondersteuning naar support.apple.com

Hoe Spotify Connect gebruiken:

Gebruik uw telefoon, tablet of computer als afstandsbediening voor Spotify. Ga naar spotify.com/connect om te leren hoe.

Op de Spotify Software zijn licenties van derden van toepassing, die u hier kunt vinden:

<https://www.spotify.com/connect/third-party-licenses>

Hoe TIDAL Connect te gebruiken:

1. Speel een nummer af en tik op de balk "Speelt nu".
2. Tik op de apparaatkiezer rechtsboven.
3. Kies een apparaat dat geschikt is voor TIDAL Connect.

Bezelbediening

Tijdens het streamen van een muziekbron via WiFi doet de Bezel-wiel het volgende:

Afspelen/Pauze: Druk kort op de rand om muziek af te spelen of te pauzeren.

Volgende track: Om naar de volgende track in een album of afspeellijst te gaan, draait u de ring naar rechts.

Vorige track: Om naar het vorige nummer in een album of afspeellijst te gaan, draait u de ring naar links.

Modus Aux In

Uw Model One Digital kan als zelfstandige luidspreker gebruikt worden. Gebruik gewoon een 3,5 mm stereokabel om een lijn- of hoofdtelefoonbron aan te sluiten op de AUX-ingang aan de achterkant van uw radio. U kunt het volume van de luidspreker regelen met de volumeregelaar op de Model One Digital of met de volumeregelaar van uw audiobron.

Bluetooth-Modus

Koppelen

Uw Model One Digital kan fungeren als een zelfstandige Bluetooth-luidspreker.

1. Druk op uw radio één keer op de knop POWER/SOURCE/VOLUME totdat "Bluetooth" op het scherm van de Model One Digital verschijnt.
2. Houd op uw radio de BEZEL ingedrukt totdat "Pairing Enabled" op het scherm van de Model One Digital verschijnt.
3. Ga naar het scherm met Bluetooth-instellingen op uw telefoon of tablet.
4. Selecteer het apparaat met een naam die lijkt op "Tivoli M1D3_XXXXXX".
5. Zodra "Pairing Success" op het scherm van de radio verschijnt, bent u gekoppeld aan de radio.
6. U kunt beginnen met het afspelen van uw muziek via Bluetooth.

Bezelbediening

Tijdens het streamen van een muziekbron via Bluetooth doet de Bezel-wiel het volgende:

Afspelen/Pauze: Druk één keer op de rand om muziek af te spelen of te pauzeren.

Volgende track: Om naar de volgende track in een album of afspeellijst te gaan, draait u de ring naar rechts.

Vorige track: Om naar het vorige nummer in een album of afspeellijst te gaan, draait u de ring naar links.

Koppeling inschakelen: Om het koppelen in te schakelen, houdt u de rand ingedrukt totdat op het scherm "Pairing Enabled" verschijnt.

FM-Modus

Bezelbediening

Handmatig afstemmen: Om handmatig op een zender met een hogere frequentie af te stemmen, draait u de ring naar rechts.

Handmatig afstemmen omlaag: Om handmatig af te stemmen op een zender met een lagere frequentie, draait u de ring naar links.

Autoscan omhoog: Om naar een hogere frequentie te autoscannen, drukt u snel tweemaal op de ring.

Een zender toevoegen aan uw voorkeuzezenders: Om een zender aan uw opgeslagen voorkeuzezenders toe te voegen, drukt u eenmaal op de bezel. Het is ook mogelijk om voorkeuzezenders toe te voegen met uw afstandsbediening. Houd gewoon het voorkeuzenummer dat u wilt gebruiken ingedrukt en wacht op bevestiging op het scherm. Om de voorkeuzezender te verwijderen, houdt u de knop op de afstandsbediening ingedrukt of drukt u lang op de randbediening.

DAB-Modus

Bezelbediening

Handmatig afstemmen: Om handmatig op een zender met een hogere frequentie af te stemmen, draait u de ring naar rechts.

Handmatig afstemmen omlaag: Om handmatig af te stemmen op een zender met een lagere frequentie, draait u de ring naar links.

Opnieuw scannen: Om opnieuw te scannen voor alle stations, drukt u snel tweemaal op de bezel.

Een zender toevoegen aan uw voorkeuzezenders: Om een zender aan uw opgeslagen voorkeuzezenders toe te voegen, drukt u eenmaal op de bezel. Eenmaal toegevoegd, kunt u het met de afstandsbediening openen. Het is ook mogelijk om voorkeuzezenders toe te voegen met uw afstandsbediening. Houd gewoon het voorkeuzenummer dat u wilt gebruiken ingedrukt en wacht op bevestiging op het scherm. Om de voorkeuzezender te verwijderen, houdt u de knop op de afstandsbediening ingedrukt of drukt u lang op de randbediening.

Opmerking: DAB is alleen beschikbaar in ondersteunde landen.

Instellingen

Opmerking: Al deze functies zijn beschikbaar via de afstandsbediening met de knop Settings (Instellingen). U kunt het menu Instellingen ook openen door de knoppen Bezel en Aan/Uit/Bron/Volume samen ingedrukt te houden.

FM Scansterkte Instellen

Druk in de FM-modus op de knop Settings op de afstandsbediening en gebruik de navigatiepijlen tot "FM Scan Strength" op het scherm verschijnt. Druk op de selectieknop op de afstandsbediening. Selecteer de gewenste scansterkte met de navigatiepijlen en druk ter bevestiging op de toets SELECT.

Contrast

Druk op de knop Settings op de afstandsbediening en gebruik de navigatiepijlen tot "Contrast" op het scherm verschijnt. Druk op de selectieknop op de afstandsbediening. Gebruik de navigatiepijlen tot het gewenste Contrast is bereikt en druk dan op de selectieknop om te bevestigen.

Automatische tijd Inschakelen

Om uw Model One Digital de tijd te laten bijwerken via WiFi, FM of DAB, stelt u "Enable" in. Als u "Disable" selecteert, moet u de tijd handmatig instellen.

Handmatige Tijdsinstelling

Druk op de knop Settings op de afstandsbediening en gebruik dan de navigatiepijlen tot "Manual Time Set" (Handmatige tijdsinstelling) op het scherm verschijnt. Druk op de knop SELECT. Selecteer het uur met de navigatiepijlen en druk op SELECT om te bevestigen. Doe dit nogmaals om de minuten, meridiem, dag, maand en jaar te selecteren. Selecteer JA om te bevestigen en druk vervolgens op de selectieknop.

Alarm Instellen

Druk op de knop Settings (Instellingen) op de afstandsbediening en gebruik dan de navigatiepijlen tot "Alarm Set" (Wekker instellen) op het scherm verschijnt. Druk op de knop SELECT op de afstandsbediening. Selecteer het uur met de navigatiepijlen en druk op SELECT om te bevestigen. Doe dit nogmaals om de minuten te selecteren en of u wilt dat het alarm actief is. Om te bevestigen selecteert u YES (ja) en drukt u op de knop SELECT van de afstandsbediening.

Slaaptijd Instellen

Druk op de knop Settings op de afstandsbediening en draai aan de knop tot "Sleep Time Set" (Slaaptijd instellen) op het scherm verschijnt. Druk op de knop SELECT op de afstandsbediening. Selecteer het uur met de navigatiepijlen en druk op SELECT om te bevestigen. Doe dit nogmaals om de minuten te selecteren. Selecteer YES om te bevestigen en druk dan op de knop SELECT.

Automatisch Uitschakelen

Hierdoor kan uw Model One Digital zichzelf uitschakelen als hij een tijdje niet gebruikt wordt. Druk op de knop Settings op de afstandsbediening en gebruik dan de navigatiepijlen tot "Auto Power Off" op het scherm verschijnt. Druk op de knop SELECT op de afstandsbediening. Gebruik de navigatiepijlen totdat de bevestiging verschijnt en druk dan op de selectieknop om te bevestigen. "Inschakelen" zorgt ervoor dat het model wordt uitgeschakeld nadat het een bepaalde tijd niet is gebruikt. "Disable" schakelt deze functie uit en uw apparaat blijft altijd aan totdat u het handmatig uitschakelt.

FW-Versie

Druk op de knop Settings op de afstandsbediening en gebruik dan de navigatiepijlen tot "FW Version" op het scherm verschijnt. Druk op SELECT om de huidige firmwareversie te bekijken.

Fabrieksinstellingen

Met een fabrieksreset worden alle functies op Model One Digital teruggezet naar de standaardinstellingen. Druk op de knop Settings (Instellingen) op de afstandsbediening en gebruik de navigatiepijlen tot "Factory Reset" (Fabrieksinstelling resetten) op het scherm verschijnt. Druk op de knop SELECT op de afstandsbediening. Gebruik de navigatiepijlen totdat de bevestiging verschijnt en druk dan op de selectieknop om te bevestigen.

Andere Informatie

Firmware-updates

Uw Model One Digital zal ongeveer elke 4 maanden (en mogelijk ook wanneer u het product voor het eerst gebruikt) periodieke software-updates krijgen. De luidspreker zal zichzelf automatisch updaten wanneer hij verbonden is met WiFi. U hoeft dus niets te doen!

Fabrieksinstellingen

Een fabrieksreset herstelt alle functies op uw Model One Digital naar hun standaardinstellingen. Als uw luidspreker aan staat, houdt u de knoppen Setup en Mute ingedrukt totdat op het scherm het bericht "Factory Resetting..." verschijnt. Laat de knoppen los. De Model One Digital wordt automatisch opnieuw opgestart zodra de fabrieksreset voltooid is. U kunt de fabrieksreset ook via het menu Instellingen uitvoeren.

Stand-bymodus

Als uw Model One Digital aan staat en niet gebruikt wordt, gaat hij automatisch naar de stand-bymodus.

Normale stand-by: Als de Model One Digital niet verbonden is met WiFi of gekoppeld is met Bluetooth, gaat de luidspreker in normale stand-by nadat er 20 minuten geen geluid is afgespeeld. Om de luidspreker te wekken, drukt u één keer op de aan/uit-knop. Het stroomverbruik in de normale stand-bymodus is minder dan 0,5 W.

Netwerk standby: Wanneer de Model One Digital verbonden is met WiFi en/of gekoppeld met Bluetooth, gaat de luidspreker in netwerk standby nadat er 20 minuten geen geluid is afgespeeld. Om de luidspreker te wekken, drukt u één keer op de aan/uit-knop of selecteert u de luidspreker in het Control Center, CAST-menu, Spotify Connect-menu of Tidal Connect-menu. Het stroomverbruik in de netwerkstandby-modus is minder dan 2W.

Zorg

U kunt de achterkant, de houten behuizing en het metalen rooster van uw Model One Digital het beste met een droge doek schoonmaken. Niet blootstellen aan water.

Beperkte Garantie

Tivoli Audio produceert zijn producten volgens zeer hoge normen en we zijn ervan overtuigd dat onze producten goed zullen presteren. Dienovereenkomstig garanderen we onze producten tegen fabricagefouten in materiaal en vakmanschap aan de oorspronkelijke eigenaar voor een periode van één jaar in de Verenigde Staten en twee jaar in de Europese Unie vanaf de oorspronkelijke aankoopdatum. Voor landen waar de minimale garantietermijn wettelijk is bepaald, is de garantietermijn de wettelijk vereiste periode. Op alle andere locaties is de garantietermijn één jaar.

Deze garantie geldt niet voor schade veroorzaakt door onjuiste installatie, defecte hulpapparatuur, modificaties, ongeautoriseerde reparaties, transportschade of verlies, misbruik, ongelukken, gebruik op onjuiste spanning/stroom, blikseminslag of andere natuurrampen, normale slijtage, commercieel gebruik of aankoop bij niet-geautoriseerde dealers. Voor garantieservice kan een aankoopbewijs worden gevraagd als bewijs dat het apparaat binnen de garantieperiode bij een erkende dealer is gekocht. Mocht service nodig zijn, stuur het product dan NIET terug zonder eerst contact op te nemen met uw dealer of Tivoli Audio.

Deze garantie is niet overdraagbaar. Tivoli Audio betaalt niet voor tijdverlies, ongemak, verlies van gebruik van het product of schade veroorzaakt door dit product.

Deze garantie geeft u specifieke wettelijke rechten en u kunt ook andere rechten hebben die van staat tot staat verschillen. In sommige staten zijn beperkingen op impliciete garanties of de uitsluiting van gevolgschade niet toegestaan, waardoor deze beperkingen mogelijk niet op u van toepassing zijn.

Ga voor meer informatie over garantie naar www.tivoliaudio.com

Voor informatie over Europese garantie kunt u terecht op www.tivoliaduio.eu

VELKOMMEN

Takk for at du valgte Tivoli Audio!

Model One Digital - Generation 3

Wi-Fi / DAB* / FM / Bluetooth® Radio

Model One Digital Generation 3 lar deg enkelt koble til Wi-Fi og dine favorittapper for strømmetjenester via AirPlay og Google Cast. Eller nyt noe litt nærmere hjemmet med lokale radiosendinger på FM eller DAB (der det er tilgjengelig). Med alle disse lyttealternativene og romfyllende lyd er Model One Digital en strålende måte å nyte musikk og stil med den nyeste teknologien innebygd.

Ta deg tid til å lese denne brukerhåndboken og sikkerhetsinstruksjonene. Hvis du har spørsmål, kan du kontakte forhandleren eller Tivoli Audio.

*DAB/DAB+ er kun tilgjengelig i land som støtter dette.

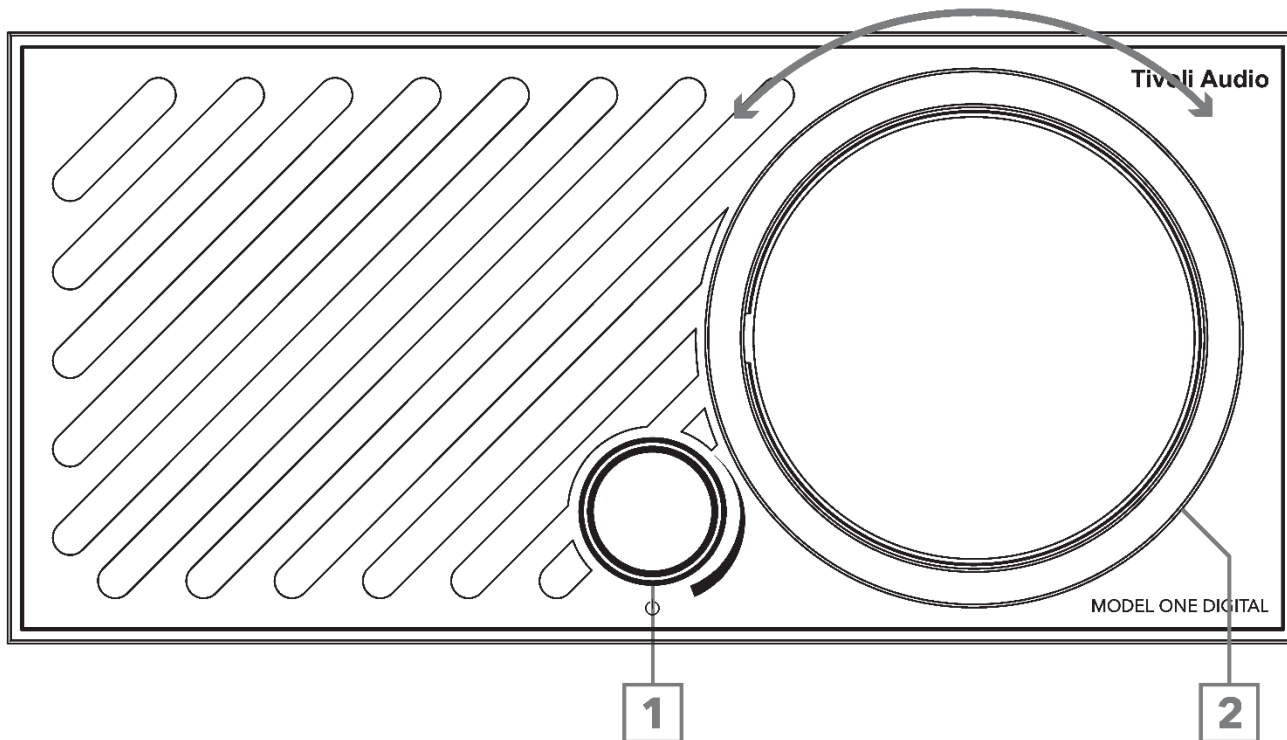
I pakken med Model One Digital skal du finne:

- (1) Ekstern strømforsyning
- (1) FM/DAB teleskopantenne (installert)
- (1) Fjernkontroll (batteri installert)

Kontakt forhandleren eller Tivoli Audio hvis noen av disse delene mangler.

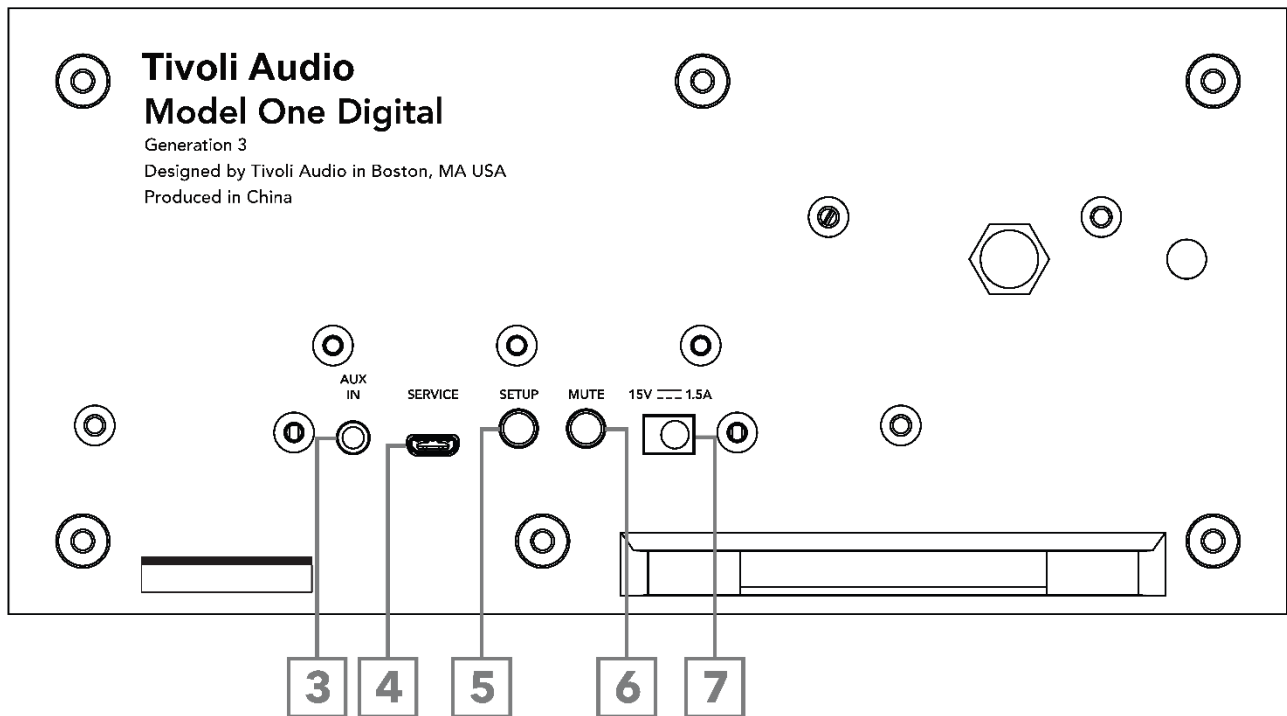
Veiledning til Funksjoner

Frontpanel



1. **STRØM/KILDE/VOLUMKNAPP:** Trykk én gang for å slå enheten på, trykk og hold inne for å slå den av. Når enheten er slått på, trykk én gang for å veksle mellom WiFi, FM, DAB (hvis tilgjengelig), Bluetooth og eksterne kilder. Drei mot høyre for å øke volumet, dreie mot venstre for å redusere volumet.
2. **BEZEL-KONTROLL:**
 - I FM/DAB-modus:** Drei mot venstre for å stille inn lavere frekvens. Drei mot høyre for å stille inn høyere frekvens. Trykk én gang for å legge til en stasjon i forhåndsinnstillingene. Trykk to ganger for å søke eller laste inn DAB-stasjonslisten på nytt, eller gå til neste FM-stasjon.
 - I Bluetooth-modus:** Vri til venstre for å gå til forrige spor. Vri til høyre for å gå til neste spor. Trykk én gang for å spille av/pause. Trykk og hold inne for å gå til Bluetooth-paringsmodus.
 - I WiFi-streamingmodus:** Vri til venstre for å gå til forrige spor. Vri til høyre for å gå til neste spor. Trykk én gang for å spille av/pause.

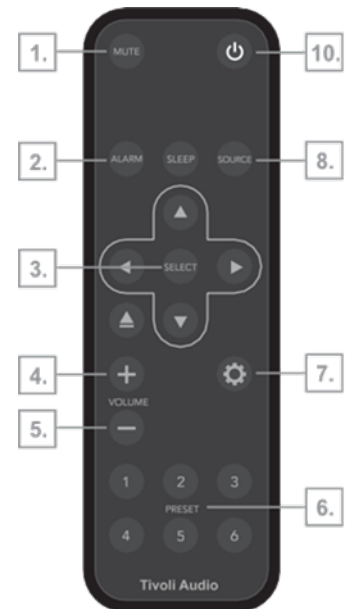
Bakpanel



3. **AUX IN:** Koble til en 3,5 mm stereokabel for en frittstående opplevelse.
4. **SERVICE:** Micro USB-serviceport. Kun til bruk av et autorisert Tivoli-servicesenter.
5. **OPSETT:** Trykk for å aktivere høyttaleren slik at den kan kobles til hjemmenettverket ditt.
6. **DEMP:** Velg dette for å dempe volumet på Model One Digital.
7. **DC-strøm:** Koble den medfølgende Tivoli Audio-strømadapteren til Model One Digital for å gi den strøm.

Fjernkontroll

1. **MUTE:** Setter radioen på lydløs.
2. **ALARM:** Trykk for å stille inn radioalarmen.
3. **NAVIGASJONSPILER/VELG:** Bruk pilene til å navigere mellom alternativene på skjermen, og bekreft valgene med SELECT-knappen.
4. **VOLUME UP:** Trykk for å øke volumet.
5. **VOLUME DOWN:** Trykk for å senke volumet.
6. **FORHÅNDSINNSTILLINGSKNAPPER:** Trykk og hold for å lagre en ny radiostasjon. Trykk én gang for å hente frem en lagret radiostasjon.
7. **INNSTILLINGER:** Trykk for å åpne hele innstillingsmenyen.
8. **SOURCE (KILDE):** Trykk for å endre radiokilde.
9. **SLEEP:** Trykk for å stille inn hviletid.
10. **POWER:** Trykk for å slå radioen på og av.



ADVARSEL: IKKE SVELG BATTERIET, FARE FOR KJEMISK FORBRENNING. Fjernkontrollen som følger med dette produktet, inneholder et mynt-/knappcellebatteri. Hvis batteriet svelges, kan det forårsake alvorlige indre forbrenninger i løpet av bare 2 timer og kan føre til dødsfall. Hold nye og brukte batterier borte fra barn. Hvis batterirommet ikke lukkes ordentlig, må du slutte å bruke produktet og holde det borte fra barn. Hvis du tror at batterier kan ha blitt svelget eller plassert i noen del av kroppen, må du umiddelbart oppsøke lege.



Oppsett av Alarm

Trykk på ALARM-knappen på fjernkontrollen. Velg time ved hjelp av navigasjonspilene, og trykk SELECT for å bekrefte. Gjør dette igjen for å velge minutt, og om du ønsker at alarmen skal være aktiv. Velg YES for å bekrefte, og trykk deretter på SELECT-knappen på fjernkontrollen.

Innstilling av Sovetid

Trykk på SLEEP-knappen på fjernkontrollen. Velg timen ved hjelp av navigasjonspilene, og trykk på SELECT for å bekrefte. Gjør dette igjen for å velge minutt. Velg YES for å bekrefte, og trykk deretter på SELECT-knappen.

WiFi-Modus

Wi-Fi-oppsett med Apple AirPlay

1. Slå på enheten ved å trykke på strømknappen eller strømknappen på fjernkontrollen.
2. Sett høyttaleren i Wi-Fi-modus ved å trykke kort på av/på-knappen til skjermen viser WiFi-kilde. Model One Digital går automatisk inn i Wi-Fi-oppsettmodus når WiFi initialiseres. Hvis høyttaleren ikke er i Wi-Fi-oppsettmodus: Trykk på «Setup»-knappen på baksiden av høyttaleren.
3. Gå til Wi-Fi-innstillinger på iOS-enheten. Sørg for å koble iOS-enheten til det nettverket du har tenkt å bruke Model One Digital på.
4. Bla ned til «Set Up New AirPlay Speaker...» og velg «Tivoli Audio M1D3_XXXXXXXX».
5. Gi høyttaleren et nytt navn (anbefalt) og opprett et passord (valgfritt).
6. Velg «Next» og vent på tilkoblingen.
7. Vent på bekreftelse av tilkoblingen, og velg «Ferdig».
8. Når tilkoblingen er opprettet, vises meldingen «WiFi Connected» på displayet.
9. Høyttaleren din er nå klar til bruk med AirPlay. Med AirPlay har du kontroll over lyden din.

For ytterligere støtte, besøk support.apple.com

Wi-Fi-oppsett med Tivoli Audio Setup App

Nødvendig for Android-enheter for å koble M1D3 til Wi-Fi. Hvis du kobler høyttaleren til en Apple iOS-enhet, må du enten laste ned Tivoli Audio Setup-appen eller følge instruksjonene for «Wi-Fi-oppsett med Apple AirPlay».

1. Installer Tivoli Audio Setup-appen ved å laste ned appen på din Cast-aktiverte smarttelefon eller nettbrett. Tivoli Audio Setup-appen er tilgjengelig gratis i Google Play- og Apple App-butikkene.
2. Tillat tillatelser til Wi-Fi, Bluetooth, enheter i nærheten og plassering under bruk.
3. Sørg for å koble smarttelefonen/nettbrettet til det samme nettverket som du har tenkt å bruke med Model One Digital med Google Cast.
4. Hvis du ikke allerede har gjort det, slår du på telefonens Bluetooth-tilkobling. Dette gjør at WiFi-informasjonen din kan sendes til høyttaleren på en pålitelig måte.
5. Slå på høyttaleren ved å trykke kort på av/på-knappen.
6. Sett høyttaleren i Wi-Fi-modus ved å trykke kort på av/på-knappen til «WiFi» vises på skjermen.
7. Når WiFi initialiseres, vil skjermen vise WiFi Setup Enabled-modus. Hvis høyttaleren ikke er i WiFi-oppsettmodus, trykker du på Setup-knappen på baksiden av radioen.
8. Åpne Tivoli Audio Setup-appen på smarttelefonen/nettbrettet.
9. Trykk på «Set Up new Device» eller «+ Add» nederst på skjermen, og følg instruksjonene på skjermen.
10. Vent til appen skanner etter tilgjengelige høyttalere, og velg deretter M1D3 du ønsker å konfigurere.
11. Bekreft at du har hørt lyden.
12. I neste skjermbilde velger du riktig Wi-Fi-adresse og skriver inn Wi-Fi-passordet. Du kan også endre navnet på høyttalerne. Trykk deretter på Neste.

13. Vent til enheten kobler seg til det trådløse nettverket og ser etter oppdateringer. Denne prosessen kan ta noen minutter.
14. Du vil nå bli bedt om å aktivere Google Cast. Se avsnittet «Aktivere Google Cast» for å lære mer.
15. Høytaleren din er nå klar til bruk med Spotify Connect, Tidal Connect eller Apple AirPlay.

Aktivering av Google Cast

Tivoli Audio Setup-appen er nødvendig for å aktivere Google Cast på Android- og iOS-enheter.

1. Når Model One Digital er koblet til Wi-Fi, kan du aktivere Google Cast.
2. Når du først kobler en Model One Digital til Wi-Fi, blir du bedt om å aktivere Google Cast. Du kan også aktivere Google Cast senere ved å navigere til menyen Enhetsinnstillinger og trykke på Google Cast-innstillingen.
3. Gå gjennom Googles tjenestevilkår, og trykk på «Godta» for å fortsette.
4. Bestem deg for om du ønsker å delta i Googles krasjrapporter eller ikke, det finnes ikke noe galt svar!
5. Du vil nå bli sendt videre til Google Home-appen.
6. Se etter din Model One Digital i Enheter-fanen under Lokale enheter.
7. Legg til denne høytaleren i det hjemmet og rommet du ønsker.
8. M1D3 er nå klar til bruk med Google Cast. Strøm underholdningen du elsker fra telefonen, nettbrettet eller den bærbare datamaskinen til høytaleren.

Slik bruker du Google Cast:

1. Åpne en hvilken som helst Cast-aktivert app.
2. Velg CAST-knappen i appen.
3. Velg Model One Digital.
4. Trykk på PLAY-knappen i appen.

For ytterligere støtte, besøk support.google.com/chromecast

Slik bruker du Apple AirPlay:

1. Koble iOS-enheten din til samme nettverk som Model One Digital.
2. Åpne Kontrollsenter på iOS-enheten.
3. Trykk på og hold lydkortet i øvre høyre hjørne, og trykk deretter på AirPlay.
4. Velg Model One Digital fra listen over tilgjengelige AirPlay-enheter, og start avspillingen.

For ytterligere støtte, besøk support.apple.com

Slik bruker du Spotify Connect:

Bruk telefonen, nettbrettet eller datamaskinen som fjernkontroll for Spotify. Gå til spotify.com/connect for å finne ut hvordan.

Spotify-programvaren er underlagt tredjepartslisenser som du finner her:

<https://www.spotify.com/connect/third-party-licenses>

Slik bruker du TIDAL Connect:

1. Spill av en sang og trykk på «Now Playing»-linjen.
2. Trykk på enhetsvelgeren øverst til høyre.
3. Velg en TIDAL Connect-aktivert enhet.

Bezel-kontroll

Når du strømmet musikk over WiFi, gjør Bezel-hjulet følgende:

Spill av/Pause: For å spille av eller sette musikk på pause trykker du kort på rammen

Neste spor: Roter rammen til høyre for å gå til neste spor i et album eller en spilleliste.

Forrige spor: Roter rammen til venstre for å gå til forrige spor i et album eller en spilleliste.

Aux In-Modus

Model One Digital kan brukes som en frittstående høyttaler. Du trenger bare å bruke en 3,5 mm stereokabel til å koble en hvilken som helst lydkilde på linje- eller hodetelefonnivå til AUX-inngangen på baksiden av radioen. Du kan kontrollere volumet på høyttaleren ved hjelp av volumkontrollen på Model One Digital eller med volumkontrollen på lydkilden.

Bluetooth-Modus

Paring

Model One Digital kan fungere som en frittstående Bluetooth-høyttaler.

1. På radioen trykker du enkelt på POWER/SOURCE/VOLUME KNOB til det står «Bluetooth» på skjermen på Model One Digital.
2. På radioen trykker du på BEZEL og holder den nede til det står «Pairing Enabled» på skjermen på Model One Digital.
3. Gå til skjermbildet for Bluetooth-innstillinger på telefonen eller nettbrettet.
4. Velg enheten som har et navn som ligner på «Tivoli M1D3_XXXXXX».
5. Når radioen viser «Pairing Success» på skjermen, er du parert med radioen.
6. Du kan begynne å spille av musikk via Bluetooth.

Bezel-kontroll

Når du strømmet musikk via Bluetooth, gjør Bezel-hjulet følgende:

Spill av/Pause: For å spille av eller sette musikk på pause trykker du enkelt på Bezel

Neste spor: Roter rammen til høyre for å gå til neste spor i et album eller en spilleliste.

Forrige spor: Roter rammen til venstre for å gå til forrige spor i et album eller en spilleliste.

Aktiver sammenkobling: For å aktivere paring, trykker du på og holder inne rammen til skjermen viser «Pairing Enabled».

FM-Modus

Bezel-kontroll

Manual Tune Up: Roter rammen mot høyre for å stille opp til en stasjon med høyere frekvens.

Manual Tune Down (manuell nedjustering): Roter rammen til venstre for å stille ned til en stasjon med lavere frekvens.

Automatisk skanning opp: Dobbeltrykk raskt på rammen for å skanne automatisk til en høyere frekvens.

Legg til en stasjon i dine forhåndsinnstilte stasjoner: Trykk én gang på rammen for å legge til en stasjon i de lagrede forhåndsinnstilte stasjonene. Det er også mulig å legge til forhåndsinnstillinger ved hjelp av fjernkontrollen. Hold bare inne det forhåndsinnstilte nummeret du ønsker å bruke, og vent på bekreftelse på skjermen. For å slette forhåndsinnstillingen holder du enten nede knappen på fjernkontrollen eller trykker lenge på rammen.

DAB-Modus

Bezel-kontroll

Manual Tune Up: Roter rammen mot høyre for å stille opp til en stasjon med høyere frekvens.

Manual Tune Down (manuell nedjustering): Roter rammen til venstre for å stille ned til en stasjon med lavere frekvens.

Skann på nytt: For å skanne på nytt for alle stasjoner, trykker du raskt to ganger på rammen.

Legg til en stasjon i dine forhåndsinnstilte stasjoner: For å legge til en stasjon i de lagrede forhåndsinnstilte stasjonene trykker du én gang på rammen. Når stasjonen er lagt til, kan du få tilgang til den ved hjelp av fjernkontrollen. Det er også mulig å legge til forhåndsinnstillinger ved hjelp av fjernkontrollen. Hold bare inne det forhåndsinnstilte nummeret du ønsker å bruke, og vent på bekreftelse på skjermen. For å slette forhåndsinnstillingen holder du enten nede knappen på fjernkontrollen eller trykker lenge på rammen.

Merk: DAB er bare tilgjengelig i land som støttes.

Innstillinger

Merk: Alle disse funksjonene er tilgjengelige via fjernkontrollen ved hjelp av knappen Settings (Innstillinger). Du kan også få tilgang til innstillingsmenyen ved å trykke på og holde inne Bezel og Power/Source/Volume-knappen samtidig.

FM-skannestyrkeinnstilling

I FM-modus trykker du på Innstillinger-knappen på fjernkontrollen og bruker deretter navigasjonspilene til «FM Scan Strength» vises på skjermen. Trykk på SELECT-knappen på fjernkontrollen. Velg ønsket skannestyrke med navigasjonspilene, og trykk deretter på SELECT-knappen for å bekrefte.

Kontrast

Trykk på knappen Settings (Innstillinger) på fjernkontrollen, og bruk deretter navigasjonspilene til «Contrast» (Kontrast) vises på skjermen. Trykk på SELECT-knappen på fjernkontrollen. Bruk navigasjonspilene til ønsket kontrast er oppnådd, og trykk deretter på SELECT-knappen for å bekrefte.

Automatisk tidsaktivering

Hvis du vil la Model One Digital oppdatere klokkeslettet via WiFi, FM eller DAB, velger du «Enable». Hvis du velger «Disable», må du stille inn klokkeslettet manuelt.

Manuell tidsinnstilling

Trykk på knappen Settings (Innstillinger) på fjernkontrollen, og bruk deretter navigasjonspilene til «Manual Time Set» (Manuell tidsinnstilling) vises på skjermen. Trykk på SELECT-knappen. Velg time ved hjelp av navigasjonspilene, og trykk på SELECT for å bekrefte. Gjør dette igjen for å velge minutt, meridiem, dag, måned og år. Velg YES for å bekrefte, og trykk deretter på SELECT-knappen.

Alarminnstilling

Trykk på Innstillinger-knappen på fjernkontrollen, og bruk deretter navigasjonspilene til «Alarm Set» vises på skjermen. Trykk på SELECT-knappen på fjernkontrollen. Velg time ved hjelp av navigasjonspilene, og trykk på SELECT for å bekrefte. Gjør dette igjen for å velge minutt, og om du ønsker at alarmen skal være aktiv. Velg YES for å bekrefte, og trykk deretter på SELECT-knappen på fjernkontrollen.

Innstilt søvntid

Trykk på Innstillinger-knappen på fjernkontrollen, og vri den til «Sleep Time Set» vises på skjermen. Trykk på SELECT-knappen på fjernkontrollen. Velg time ved hjelp av navigasjonspilene, og trykk på SELECT for å bekrefte. Gjør dette igjen for å velge minutt. Velg YES for å bekrefte, og trykk deretter på SELECT-knappen.

Automatisk avstengning

Dette gjør at Model One Digital kan slå seg av av seg selv hvis den er inaktiv i en periode. Trykk på Innstillinger-knappen på fjernkontrollen, og bruk deretter navigasjonspilene til «Auto Power Off» vises på

skjermen. Trykk på SELECT-knappen på fjernkontrollen. Bruk navigasjonspilene til bekreftelsen vises, og trykk deretter på SELECT-knappen for å bekrefte. «Enable» vil stille inn modellen til å slå seg av etter at den har vært inaktiv i en viss tid. «Disable» slår av denne funksjonen, og enheten vil alltid være på til du slår den av manuelt.

FW-versjon

Trykk på Innstillinger-knappen på fjernkontrollen, og bruk deretter navigasjonspilene til «FW Version» vises på skjermen. Trykk på SELECT for å vise gjeldende fastvareversjon.

Fabrikkinnstilling

En tilbakestilling til fabrikkinnstillingene vil gjenopprette alle funksjoner på Model One Digital til standardinnstillingene. Trykk på knappen Settings (Innstillinger) på fjernkontrollen, og bruk deretter navigasjonspilene til «Factory Reset» (Fabrikkinnstilling) vises på skjermen. Trykk på SELECT-knappen på fjernkontrollen. Bruk navigasjonspilene til bekreftelsen vises, og trykk deretter på SELECT-knappen for å bekrefte.

Annen Informasjon

Oppdatering av Fastvare

Model One Digital vil ha periodiske programvareoppdateringer omtrent hver fjerde måned (og muligens også når du tar produktet i bruk for første gang). Høytaleren oppdaterer seg selv automatisk når den er koblet til WiFi. Du trenger ikke å gjøre noe!

Fabrikkinnstilling

En tilbakestilling til fabrikkinnstillingene vil gjenopprette alle funksjoner på Model One Digital til standardinnstillingene. Når høytaleren er slått på, trykker du på og holder inne knappene Setup og Mute til skjermen bekrefter med meldingen «Factory Resetting ...». Slipp knappene. Model One Digital starter automatisk på nytt når tilbakestillingen til fabrikkinnstillingene er fullført. Du kan også få tilgang til fabrikktilbakestilling via menyen Innstillinger.

Standby-modus

Hvis Model One Digital er slått på og er inaktiv, går den automatisk over i standby-modus.

Normal standby: Når Model One Digital ikke har vært koblet til WiFi eller parett med Bluetooth, vil høytaleren gå i normal standby etter 20 minutter uten lydavspilling. Du vekker høytaleren ved å trykke på Power/Source-knappen. Strømforbruket i normal standby-modus er mindre enn 0,5 W.

Nettverksstandby: Når Model One Digital er koblet til WiFi og/eller parett med Bluetooth, går høytaleren i nettverksstandby etter 20 minutter uten lydavspilling. Du vekker høytaleren ved å trykke på Power/Source-knappen eller velge høytaleren fra kontrollsenteret, CAST-menyen, Spotify Connect-menyen eller Tidal Connect-menyen. Strømforbruket i nettverksstandby-modus er mindre enn 2 W.

Omsorg

Det anbefales å bruke en tørr klut til å rengjøre baksiden, trekabinettet og metallgrillen på Model One Digital. Må ikke utsettes for vann.

Begrenset Garanti

Tivoli Audio produserer sine produkter etter svært høye standarder, og vi er sikre på at produktene våre vil fungere godt. Derfor garanterer vi våre produkter mot produksjonsfeil i materiale og utførelse til den opprinnelige eieren i en periode på ett år i USA og to år i EU fra den opprinnelige kjøpsdatoen. I land der minste garantiperiode er fastsatt ved lov, er garantiperioden den lovbestemte perioden. I alle andre land er garantiperioden ett år.

Denne garantien gjelder ikke for skader som skyldes feilaktig installasjon, defekt tilleggsutstyr, modifikasjoner, uautoriserte reparasjoner, transportskader eller tap, misbruk, ulykker, bruk med feil spenning/strøm, lynnedslag eller andre naturkatastrofer, normal slitasje, kommersiell bruk eller kjøp fra uautoriserte forhandlere. Det kan være nødvendig med kjøpsbevis som bevis på at enheten ble kjøpt fra en autorisert forhandler innenfor garantiperioden for å få utført garantiservice. Hvis service er nødvendig, må du IKKE returnere produktet uten først å kontakte forhandleren eller Tivoli Audio.

Denne garantien kan ikke overføres. Tivoli Audio betaler ikke for tap av tid, ulempe, tap av bruk av produktet eller skader forårsaket av dette produktet.

Denne garantien gir deg spesifikke juridiske rettigheter, og du kan også ha andre rettigheter som varierer fra stat til stat. Noen delstater tillater ikke begrensninger på underforståtte garantier eller utelukkelse av følgeskader, og det kan derfor hende at disse begrensningene ikke gjelder for deg.

For mer informasjon om garantien, besøk oss på www.tivoliaudio.com

For informasjon om europeisk garanti, vennligst besøk oss på www.tivoliaudio.eu

TERVETULOA

Kiitos, että valitsit Tivoli Audion!

Model One Digital - Generation 3

Wi-Fi / DAB* / FM / Bluetooth® Radio

Model One Digital Generation 3:n avulla voit helposti muodostaa yhteyden Wi-Fi-yhteyteen ja suosikkisovelluspohjaisiin suoratoistopalveluihin AirPlayn ja Google Castin kautta. Tai nauti jostain hieman lähempänä kotia paikallisista radiolähetyksistä FM- tai DAB-radioilla (jos saatavilla). Kaikkien näiden kuunteluvaihtoehtojen ja huoneen täyttävän äänentoiston ansiosta Model One Digital on loistava tapa nauttia musiikista ja tyylistä sisäänrakennetulla uusimmalla tekniikalla.

Tutustu hetki tähän käyttöohjeeseen ja turvallisuusohjeisiin. Jos sinulla on kysyttävää, ota rohkeasti yhteyttä jälleenmyyjään tai Tivoli Audioon.

*DAB/DAB+ on käytettävissä vain tuetuissa maissa.

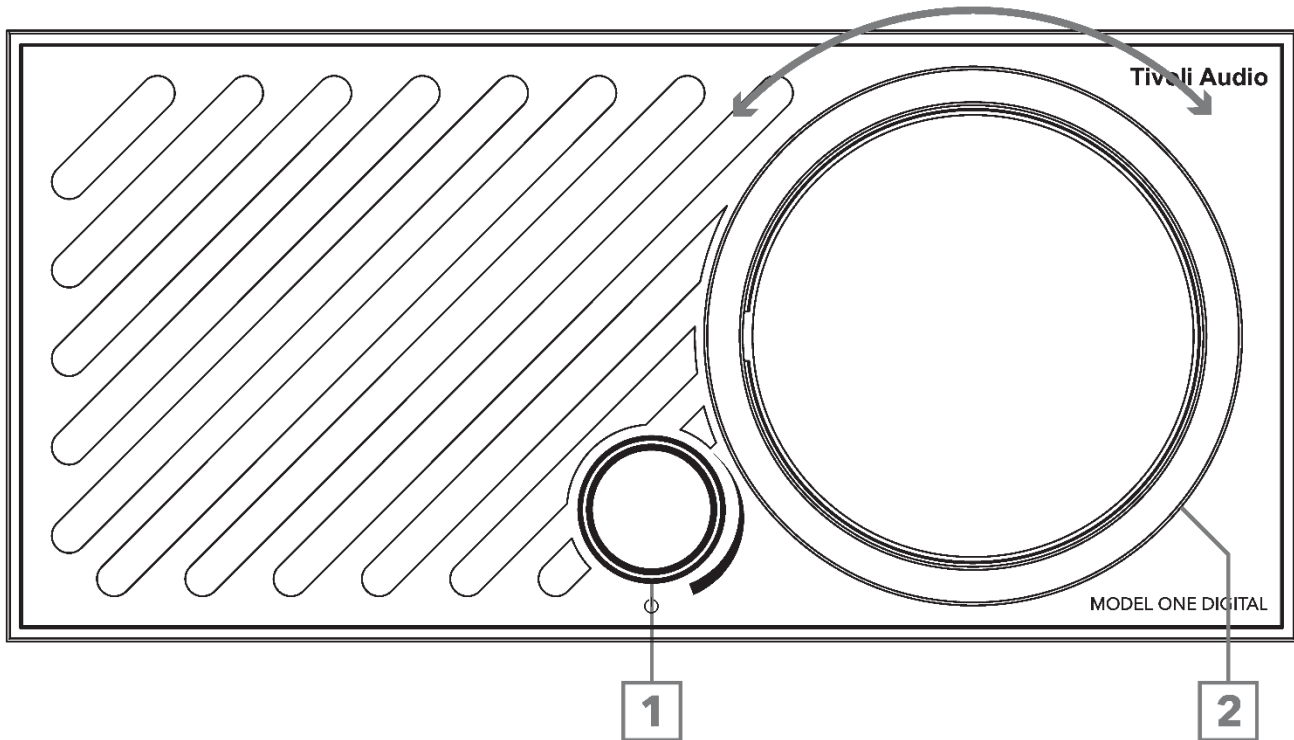
Model One Digitalin mukana pitäisi löytyä:

- (1) Ulkoinen virtalähde
- (1) FM/DAB-teleskooppiantenni (asennettu)
- (1) Kaukosäädin (paristo asennettu)

Ota yhteyttä jälleenmyyjään tai Tivoli Audioon, jos jokin näistä osista puuttuu.

Ominaisuuksien Opas

Etupaneeli



1. **POWER/SOURCE/VOLUME-NUPPI:** Kytke laite päälle painamalla yhtä kertaa, sammuta laite painamalla pitkään. Kun virta on kytketty päälle, paina yhtä painiketta vaihtaaksesi WiFi, FM, DAB (jos käytettävissä), Bluetooth ja Auxiliary-lähteiden välillä. Lisää äänenvoimakkuutta kiertämällä oikealle, vähennä äänenvoimakkuutta kiertämällä vasemmalle.

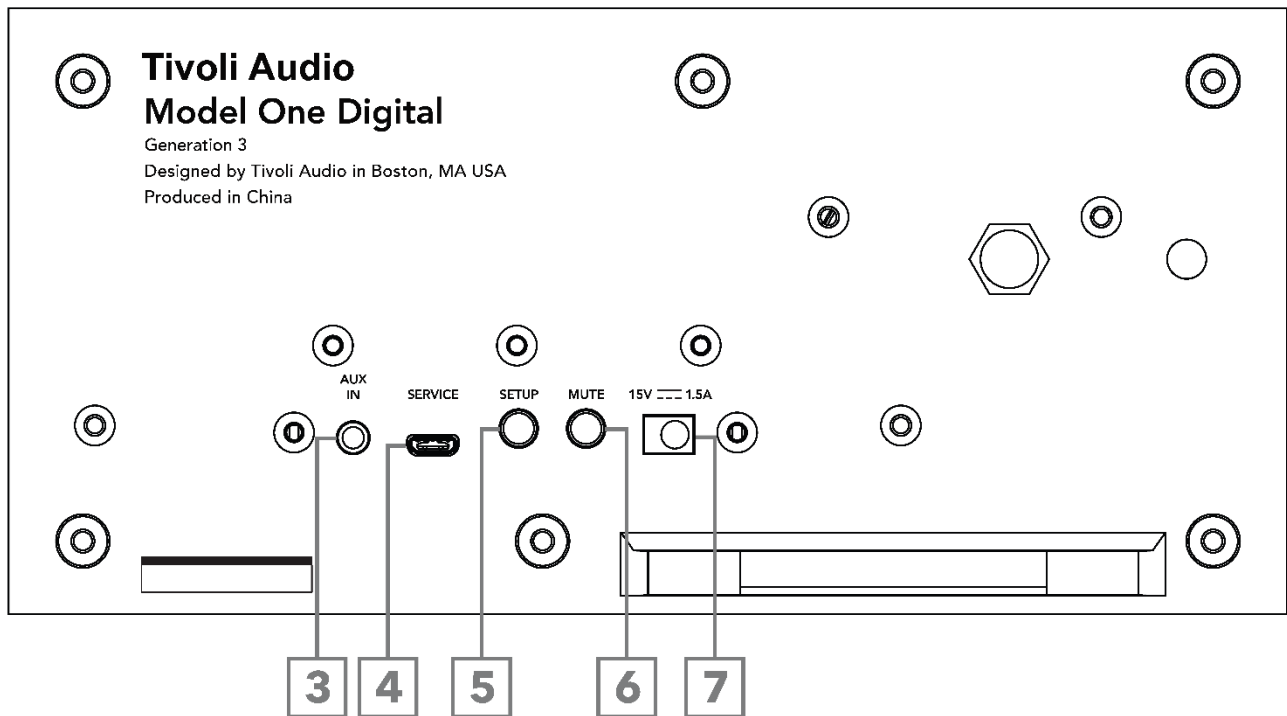
2. VYÖHYKKEEN OHJAUS:

FM/DAB-tilassa: Käännä vasemmalle virittääksesi alaspäin. Käännä oikealle virittääksesi ylöspäin. Aseman lisääminen esiasetukseen yhdellä painalluksella. Kaksoispainalluksella voit skannata tai ladata uudelleen DAB-asetusluettelon tai siirtyä seuraavalle FM-asetusluetteloon.

Bluetooth-tilassa: Käännä vasemmalle siirtyäksesi edelliseen kappaleeseen. Käännä oikealle siirtyäksesi seuraavaan raitaan. Toisto/tauco yhdellä painalluksella. Paina ja pidä painettuna siirtyäksesi Bluetooth-pariliitostilaan.

WiFi Streaming -tilassa: Käännä vasemmalle siirtyäksesi edelliseen kappaleeseen. Käännä oikealle siirtyäksesi seuraavaan kappaleeseen. Toisto/tauco painamalla yhtä painiketta.

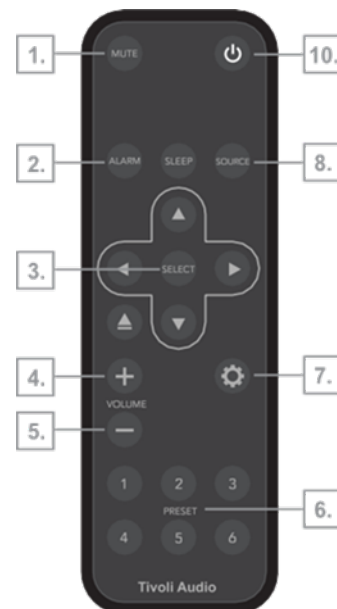
Takapaneeli



3. **AUX IN:** Kytke 3,5 mm:n stereokaapeli itsenäistä käyttökokemusta varten.
4. **SERVICE:** Micro USB huoltoportti. Vain valtuutetun Tivoli-huoltokeskuksen käyttöön.
5. **SETUP:** Napauta, jotta kaiutin voidaan liittää kotiverkkoon.
6. **MUTE:** Valitse, jos haluat mykistää Model One Digitalin äänenvoimakkuuden.
7. **Tasavirta:** Kytke mukana toimitettu Tivoli Audio -virtalähde Model One Digitalin virtalähteeksi.

Kaukosäädin

1. **MUTE:** Mykistää radion.
2. **HÄLYTYS:** Painamalla tätä voit asettaa radiohälytyksen.
3. **NAVIGOINTINUOLET/VALINTA:** Navigoi nuolinäppäimillä näytön vaihtoehtoissa ja vahvasta vaihtoehdot SELECT-painikkeella.
4. **VOLUME UP:** Nosta äänenvoimakkuutta painamalla tätä.
5. **VOLUME DOWN:** Pienennä äänenvoimakkuutta painamalla tätä.
6. **ESIASETUSPAINIKKEET:** Paina ja pidä painettuna tallentaaksesi uuden radioaseman. Tallennetun radioaseman kutsuminen takaisin painamalla kerran.
7. **ASETUKSET:** Paina päästäksesi täydelliseen asetusvalikkoon.
8. **LÄHDE:** Paina vaihtaaksesi radiolähdettä.
9. **SLEEP:** Aseta uniajastin painamalla tätä.
10. **POWER:** Paina tätä painiketta kytkeäksesi radion päälle ja pois päältä.



VAROITUS: ÄLÄ NIELE PARISTOA, KEMIALLINEN PALOVAMMAVAARA. Tämän tuotteen mukana toimitetussa kaukosäätimessä on kolikko/painikeparisto. Jos kolikko/painikekennoparisto niellään, se voi aiheuttaa vakavia sisäisiä palovammoja jo 2 tunnissa ja johtaa kuolemaan. Pidä uudet ja käytetyt paristot poissa lasten ulottuvilta. Jos paristolokero ei sulkeudu kunnolla, lopeta tuotteen käyttö ja pidä se poissa lasten ulottuvilta. Jos epäilet, että paristoja on nieltä tai ne on sijoitettu johonkin kehon osaan, hakeudu välittömästi lääkärin hoitoon.



Hälytysasetukset

Paina kaukosäätimen ALARM-painiketta. Valitse tunti navigointinuolinäppäimillä ja vahvasta painamalla SELECT. Tee tämä uudelleen valitaksesi minuutin ja sen, haluatko hälytyksen olevan aktiivinen. Vahvasta valinta valitsemalla YES ja paina sitten kaukosäätimen SELECT-painiketta.

Nukkumisaika asetettu

Paina kaukosäätimen SLEEP-painiketta. Valitse tunti navigointinuolinäppäimillä ja vahvasta painamalla SELECT. Tee tämä uudelleen valitaksesi minuutin. Vahvasta valitsemalla YES ja paina sitten SELECT-painiketta.

WiFi-tila

Wi-Fi-asennus Apple AirPlay -palvelun Kanssa

1. Kytke laite päälle painamalla virtasäädintä tai kaukosäätimen virtapainiketta.
2. Aseta kaiutin Wi-Fi-tilaan painamalla lyhyesti virtasäädintä, kunnes näytössä näkyy WiFi-lähde. Model One Digital siirtyy automaattisesti Wi-Fi Setup -tilaan, kun WiFi on alustettu. Jos kaiuttimesi ei ole Wi-Fi Setup -tilassa: Paina kaiuttimen takaosassa olevaa "Setup"-painiketta.
3. Siirry iOS-laitteessa Wi-Fi-asetuksiin. Varmista, että yhdistät iOS-laitteesi verkkoon, jossa aiot käyttää Model One Digitalia.
4. Vieritä alaspäin kohtaan "Set Up New AirPlay Speaker..." ja valitse "Tivoli Audio M1D3_XXXXXXXX".
5. Nimeä kaiutin uudelleen (suositeltavaa) ja luo salasana (valinnainen).
6. Valitse "Seuraava" ja odota yhteyden muodostamista.
7. Odota yhteyden vahvistusta ja valitse "Valmis".
8. Kun yhteys on muodostettu, näyttöön ilmestyy viesti "WiFi Connected".
9. Kaiuttimesi on nyt valmis käytettäväksi AirPlayn kanssa. AirPlayn avulla hallitset ääntäsi.

Lisätukea saat osoitteesta support.apple.com.

Wi-Fi-asennus Tivoli Audio Setup App -sovelluksella

Tarvitaan Android-laitteissa M1D3:n liittämiseksi Wi-Fi-yhteyteen. Jos yhdistät kaiuttimen Applen iOS-laitteeseen, lataa joko Tivoli Audio Setup App -sovellus tai noudata "Wi-Fi Setup with Apple AirPlay" -ohjeita.

1. Asenna Tivoli Audio Setup -sovellus lataamalla sovellus Cast-yhteensopivaan älypuhelimellesi tai tablettiisi. Tivoli Audio Setup -sovellus on saatavilla ilmaiseksi Google Play- ja Apple App -kaupoista.
2. Salli käyttöoikeudet Wi-Fi, Bluetooth, Lähellä olevat laitteet ja Sijainti käytön aikana.
3. Varmista, että älypuhelin/tabletti on liitetty samaan verkkoon, jota aiot käyttää Model One Digitalin kanssa Google Castin avulla.
4. Kytke puhelimen Bluetooth-yhteys päälle, jos et ole vielä tehnyt niin. Näin WiFi-tiedot voidaan lähettää kaiuttimeen luotettavasti.
5. Kytke kaiutin päälle painamalla lyhyesti virtasäädintä.
6. Aseta kaiutin Wi-Fi-tilaan painamalla lyhyesti virtasäädintä, kunnes näytössä näkyy "WiFi".
7. Kun WiFi on alustettu, näytöllä näkyy WiFi Setup Enabled -tilassa. Jos kaiutin ei ole WiFi Setup -tilassa, paina radion takaosassa olevaa Setup-painiketta.
8. Avaa Tivoli Audio Setup -sovellus älypuhelimessa/tablettilaitteessa.
9. Napauta näytön alareunassa olevaa kohtaa "Aseta uusi laite" tai "+ Lisää" ja noudata näytön ohjeita.
10. Odota, että sovellus etsii käytettävissä olevat kaiuttimet, ja valitse sitten M1D3, jonka haluat asentaa.
11. Vahvista, että kuulit äänen.
12. Valitse seuraavassa näytössä oikea Wi-Fi-osoite ja anna Wi-Fi-salasana. Voit myös muuttaa kaiuttimien nimen. Napauta sitten Seuraava.

13. Odota, että laite muodostaa yhteyden langattomaan verkkoon ja tarkistaa päivitykset. Tämä prosessi voi kestää muutaman minuutin.
14. Sinua pyydetään nyt aktivoimaan Google Cast. Katso lisätietoja kohdasta "Google Castin aktivointi".
15. Kaiuttimesi on nyt valmis käytettäväksi Spotify Connectin, Tidal Connectin tai Apple AirPlayn kanssa.

Google Castin aktivointi

Google Castin aktivoiminen Android- ja iOS-laitteissa edellyttää Tivoli Audio Setup -sovellusta.

1. Kun Model One Digital on yhdistetty Wi-Fi-yhteyteen, voit aktivoida Google Castin.
2. Kun yhdistät Model One Digitalin ensimmäisen kerran Wi-Fi-yhteyteen, sinua pyydetään aktivoimaan Google Cast. Voit aktivoida Google Castin myös myöhemmin siirtymällä laitteen Asetukset-valikkoon ja napauttamalla Google Cast -asetusta.
3. Tarkista Googlen käyttöehdot ja jatka napauttamalla "Hyväksyn".
4. Päätä, haluatko osallistua Googlen törmäysraportteihin, väärää vastausta ei ole!
5. Sinut ohjataan nyt Google Home -sovellukseen.
6. Etsi Model One Digital -laitteesi Laitteet-välilehdeltä kohdasta Paikalliset laitteet.
7. Lisää tämä kaiutin valitsemaasi kotiin ja huoneeseen.
8. M1D3 on nyt valmis käytettäväksi Google Castin kanssa. Suoratoistaa rakastamaasi viihdettä puhelimesta, tabletista tai kannettavasta tietokoneesta kaiuttimeen.

Google Castin käyttäminen:

1. Avaa mikä tahansa Cast-yhteensopiva sovellus.
2. Valitse sovelluksen CAST-painike.
3. Valitse Model One Digital.
4. Paina sovelluksen PLAY-painiketta.

Lisätukea saat osoitteesta support.google.com/chromecast.

Apple AirPlayn käyttö:

1. Liitä iOS-laite samaan verkkoon Model One Digitalin kanssa.
2. Avaa iOS-laitteessasi ohjauskeskus.
3. Paina ja pidä äänikorttia oikeassa yläkulmassa ja napauta sitten AirPlay.
4. Valitse Model One Digital käytettävissä olevien AirPlay-laitteiden luettelosta ja aloita toisto.

Lisätukea saat osoitteesta support.apple.com.

Spotify Connectin käyttö:

Käytä puhelinta, tablettia tai tietokonetta Spotifyn kaukosäätimenä. Tutustu siihen osoitteessa spotify.com/connect.

Spotify-ohjelmistoon sovelletaan kolmansien osapuolten lisenssejä, jotka löytyvät täältä:

<https://www.spotify.com/connect/third-party-licenses>

TIDAL Connectin käyttö:

1. Toista kappale ja napauta 'Now Playing' -palkkia.
2. Napauta oikeassa yläkulmassa olevaa laitevalitsinta.
3. Valitse TIDAL Connect -yhteensopiva laite.

Kehyksen ohjaus

Kun suoratoistat mitä tahansa musiikkilähdettä WiFin kautta, kehyspyörä toimii seuraavasti:

Toista/tauko: Toista tai keskeytä musiikki painamalla lyhyesti kehyspainiketta.

Seuraava kappale: Käännä kehystä oikealle, jos haluat siirtyä albumin tai soittolistan seuraavaan kappaleeseen.

Edellinen kappale: Käännä kehystä vasemmalle, jos haluat siirtyä albumin tai soittolistan edelliseen kappaleeseen.

Aux In-tila

Model One Digital -malliasi voidaan käyttää itsenäisenä kaiuttimena. Käytä vain 3,5 mm:n stereokaapelia kytkeäksesi minkä tahansa linja- tai kuuloketason lähteen radion takana olevaan AUX-tuloon. Voit säätää kaiuttimen äänenvoimakkuutta Model One Digitalin äänenvoimakkuuden säätimellä tai äänilähteesi äänenvoimakkuuden säätimellä.

Bluetooth-tila

Paritus

Model One Digital voi toimia itsenäisenä Bluetooth-kaiuttimena.

1. Paina radiossasi POWER/SOURCE/VOLUME-nuppia kerran, kunnes Model One Digitalin näytössä lukee "Bluetooth".
2. Paina radiossasi BEZEL-painiketta ja pidä sitä painettuna, kunnes Model One Digitalin näytössä lukee "Pairing Enabled".
3. Siirry puhelimen tai tabletin Bluetooth-asetusten näyttöön.
4. Valitse laite, jonka nimi on samanlainen kuin "Tivoli M1D3_XXXXXXXX".
5. Kun radion näytössä näkyy "Pariliitoksen muodostaminen onnistui", sinut on liitetty radioon.
6. Voit aloittaa musiikin toistamisen Bluetoothin kautta.

Kehyksen ohjaus

Kun suoratoistat mitä tahansa musiikkilähdettä Bluetoothin kautta, kehyspyörä toimii seuraavasti:

Toista/tauko: Voit toistaa tai keskeyttää musiikin painamalla kertaalleen kehyspainiketta.

Seuraava kappale: Käännä kehystä oikealle, jos haluat siirtyä albumin tai soittolistan seuraavaan kappaleeseen.

Edellinen kappale: Käännä kehystä vasemmalle, jos haluat siirtyä albumin tai soittolistan edelliseen kappaleeseen.

Ota pariliitos käyttöön: Paina kehystä ja pidä sitä painettuna, kunnes näytössä näkyy "Pairing Enabled" (Pariliitos käytössä).

FM-tila

Kehyksen ohjaus

Manuaalinen viritys: Voit viritellä manuaalisesti korkeamman taajuuden asemalle kääntämällä kehystä oikealle.

Manuaalinen viritys alaspäin: Jos haluat viritellä manuaalisesti alaspäin alemman taajuuden asemalle, käännä kehystä vasemmalle.

Autoskannaus ylös: Paina kehystä nopeasti kahdesti, jos haluat automaattisen skannauksen korkeammalle taajuudelle.

Lisää asema esiasetettuihin asemiin: Paina kehystä kerran, jos haluat lisätä aseman tallennettuihin esiasetettuihin asemiin. Esiasemien lisääminen on mahdollista myös kaukosäätimellä. Pidä vain painettuna haluamasi numeron esiasetusta ja odota näytön vahvistusta. Voit poistaa esiasetuksen joko pitämällä kaukosäätimen painiketta painettuna tai painamalla pitkään kehysohjainta.

DAB-tila

Kehyksen ohjaus

Manuaalinen viritys: Voit viritellä manuaalisesti korkeamman taajuuden asemalle kääntämällä kehystä oikealle.

Manuaalinen viritys alaspäin: Jos haluat viritellä manuaalisesti alaspäin alemman taajuuden asemalle, käännä kehystä vasemmalle.

Tutki uudelleen: Jos haluat skannata uudelleen kaikki asemat, paina kehystä nopeasti kahdesti.

Lisää asema esiasetettuihin asemiin: Paina kehystä kerran lisätäksesi aseman tallennettuihin esiasetettuihin asemiin. Kun asema on lisätty, voit käyttää sitä kaukosäätimellä. Esiasemia on mahdollista lisätä myös kaukosäätimellä. Pidä vain painettuna haluamasi numeron esiasetusta ja odota näytön vahvistusta. Voit poistaa esiasetuksen joko pitämällä kaukosäätimen painiketta painettuna tai painamalla pitkään kehysohjainta.

Huomautus: DAB on käytettävissä vain tuetuissa maissa.

Asetukset

Huomautus: Kaikki nämä toiminnot ovat käytettävissä kaukosäätimen kautta Asetukset-painikkeella. Pääset Asetukset-valikkoon myös pitämällä kehys- ja Virta/Lähde/Volyymin säädintä yhdessä painettuna.

FM-skannauksen voimakkuuden asetus

Paina FM-tilassa kaukosäätimen Asetukset-painiketta ja käytä sitten navigointinuolia, kunnes näyttöön tulee "FM Scan Strength". Paina kaukosäätimen SELECT-painiketta. Valitse haluamasi skannausvoimakkuus navigointinuolinäppäimillä ja vahvista sitten painamalla SELECT-painiketta.

Kontrasti

Paina kaukosäätimen Asetukset-painiketta ja käytä sitten navigointinuolia, kunnes "Kontrasti" tulee näyttöön. Paina kaukosäätimen SELECT-painiketta. Käytä navigointinuolia, kunnes haluttu kontrasti on saavutettu, ja vahvista valinta painamalla SELECT-painiketta.

Automaattisen ajan ottaminen käyttöön

Jos haluat, että Model One Digital päivittää kellonajan WiFi:n, FM:n tai DAB:n kautta, aseta asetukseksi "Enable" (Ota käyttöön). Jos valitset "Disable", sinun on asetettava aika manuaalisesti.

Manuaalinen aika-asetus

Paina kaukosäätimen Asetukset-painiketta ja käytä sitten navigointinuolia, kunnes näyttöön tulee "Manual Time Set". Paina SELECT-painiketta. Valitse tunti navigointinuolinäppäimillä ja vahvista painamalla SELECT. Tee tämä uudelleen valitaksesi minuutin, meridiemin, päivän, kuukauden ja vuoden. Vahvista valitsemalla YES ja paina sitten SELECT-painiketta.

Hälytys asetettu

Paina kaukosäätimen Asetukset-painiketta ja käytä sitten navigointinuolia, kunnes näyttöön ilmestyy "Hälytyksen asettaminen". Paina kaukosäätimen SELECT-painiketta. Valitse tunti navigointinuolinäppäimillä ja vahvista painamalla SELECT. Tee tämä uudelleen valitaksesi minuutin ja sen, haluatko hälytyksen olevan aktiivinen. Vahvista valinta valitsemalla YES ja paina sitten kaukosäätimen SELECT-painiketta.

Nukkumisaika asetettu

Paina kaukosäätimen Asetukset-painiketta ja käännä sitä, kunnes näytössä näkyy "Sleep Time Set". Paina kaukosäätimen SELECT-painiketta. Valitse tunti navigointinuolinäppäimillä ja vahvista painamalla SELECT. Tee tämä uudelleen valitaksesi minuutin. Vahvista valitsemalla YES ja paina sitten SELECT-painiketta.

Automaattinen virrankatkaisu

Tämän ansiosta Model One Digital -laitteesi sammuttaa itsensä, jos se on käyttämättömänä jonkin aikaa. Paina kaukosäätimen Asetukset-painiketta ja käytä sitten navigointinuolia, kunnes "Auto Power Off" tulee näyttöön. Paina kaukosäätimen SELECT-painiketta. Käytä navigointinuolia, kunnes näyttöön tulee vahvistus, ja vahvista sitten painamalla SELECT-painiketta. "Enable" (Ota käyttöön) asettaa mallin kytkeytymään pois päältä sen jälkeen, kun se on ollut käyttämättömänä tietyn ajan. "Disable" (Poista käytöstä) kytkee tämän ominaisuuden pois päältä ja laite pysyy aina päällä, kunnes sammutat sen manuaalisesti.

FW-versio

Paina kaukosäätimen Asetukset-painiketta ja käytä sitten navigointinuolia, kunnes näyttöön tulee "FW Version". Näytä nykyinen laiteohjelmistoversio painamalla SELECT.

Tehdasasetusten palautus

Tehdasasetusten palautus palauttaa Model One Digitalin kaikki ominaisuudet oletusasetuksiinsa. Paina kaukosäätimen Asetukset-painiketta ja käytä sitten navigointinuolia, kunnes näyttöön tulee "Tehdasasetusten palautus". Paina kaukosäätimen SELECT-painiketta. Käytä navigointinuolia, kunnes näyttöön tulee vahvistus, ja vahvista sitten painamalla SELECT-painiketta.

Muut tiedot

Firmware-päivitykset

Model One Digital -laitteeseesi tulee säännöllisiä ohjelmistopäivityksiä noin neljän kuukauden välein (ja mahdollisesti myös silloin, kun käytät tuotetta ensimmäistä kertaa). Kaiutin päivittää itsensä automaattisesti, kun se on yhdistetty WiFi-yhteyteen. Sinun ei tarvitse tehdä mitään!

Tehdasasetusten palautus

Tehdasasetusten palautus palauttaa Model One Digitalin kaikki ominaisuudet oletusasetuksiinsa. Kun kaiuttimeen on kytketty virta, paina Setup- ja Mute-painikkeita ja pidä niitä alhaalla, kunnes näyttöön tulee vahvistukseksi viesti "Factory Resetting...". Vapauta painikkeet. Model One Digital käynnistyy automaattisesti uudelleen, kun tehdasasetusten palautus on valmis. Voit käyttää tehdasasetusten palautusta myös Settings (Asetukset) -valikon kautta.

Valmiustila

Jos Model One Digital -laitteeseen on kytketty virta ja se on käyttämättömänä, se siirtyy automaattisesti valmiustilaan.

Normaali valmiustila: Kun Model One Digitalia ei ole yhdistetty WiFi-yhteyteen tai pariliitetty Bluetoothiin, kaiutin siirtyy normaaliin valmiustilaan, kun ääntä ei ole toistettu 20 minuutin ajan. Voit herättää kaiuttimen painamalla kertaalleen Power/Source-nuppia. Virrankulutus normaalissa valmiustilassa on alle 0,5 W.

Verkon valmiustila: Kun Model One Digital on yhdistetty WiFi- ja/tai Bluetooth-yhteyteen, kaiutin siirtyy verkon valmiustilaan, kun ääntä ei ole toistettu 20 minuutin ajan. Voit herättää kaiuttimen painamalla kertaalleen Power/Source-säädintä tai valitsemalla kaiuttimen Control Centeristä, CAST-valikosta, Spotify Connect -valikosta tai Tidal Connect -valikosta. Virrankulutus verkostovalmiustilassa on alle 2 W.

Hoito

Model One Digital -laitteen takaosan, puisen kotelon ja metalliritilän puhdistamiseen suositellaan kuivaa liinaa. Älä altista vedelle.

Rajoitettu Takuu

Tivoli Audio valmistaa tuotteensa erittäin korkeatasoisesti, ja olemme varmoja, että tuotteemme toimivat hyvin. Näin ollen myönämme tuotteillemme alkuperäiselle omistajalle yhden vuoden takuun Yhdysvalloissa ja kahden vuoden takuun Euroopan unionissa alkuperäisestä ostopäivämäärästä lukien. Niissä maissa, joissa takuun vähimmäiskesto on määritelty laissa, takuu-aika on lakisääteinen. Kaikissa muissa maissa takuu-aika on yksi vuosi.

Tämä takuu ei koske vahinkoja, jotka johtuvat virheellisestä asennuksesta, viallisista lisälaitteista, muutoksista, luvattomasta korjauksesta, kuljetusvaurioista tai -menetyksistä, väärinkäytöstä, onnettomuuksista, käytöstä vääränlaisella jännitteellä/virralla, salamaniskusta tai muista luonnonvoimista, normaalista kulumisesta, kaupallisesta käytöstä tai ostosta luvattomilta jälleenmyyjiltä. Takuuhuoltoa varten saatetaan vaatia ostotodistus, joka osoittaa, että laite on ostettu valtuutetulta jälleenmyyjältä takuu-aikana. Jos huolto on tarpeen, ÄLÄ palauta tuotetta ottamatta ensin yhteyttä jälleenmyyjään tai Tivoli Audioon.

Tätä takuuta ei voi siirtää. Tivoli Audio ei korvaa ajanhukkaa, haittaa, tuotteen käytön menetystä tai tämän tuotteen aiheuttamia vahinkoja.

Tämä takuu antaa sinulle tiettyjä laillisia oikeuksia, ja sinulla voi olla myös muita oikeuksia, jotka vaihtelevat osavaltioittain. Joissakin osavaltioissa ei sallita implisiittisten takuiden rajoituksia tai välillisten vahinkojen poissulkemista, joten nämä rajoitukset eivät välttämättä koske sinua.

Lisätietoja takuusta saat osoitteesta www.tivoliaudio.com

Eurooppalaisia takuutietoja saat osoitteesta www.tivoliaudio.eu

VÄLKOMMEN

Tack för att du valde Tivoli Audio!

Model One Digital - Generation 3

Wi-Fi / DAB* / FM / Bluetooth® Radio

Med Model One Digital Generation 3 kan du enkelt ansluta till Wi-Fi och dina favoritappar för streamingtjänster via AirPlay och Google Cast. Eller njut av något lite närmare hemmet med lokala radioutsändningar på FM eller DAB (där det är tillgängligt). Med alla dessa lyssningsalternativ och ett ljud som fyller rummet är Model One Digital ett fantastiskt sätt att njuta av musik och stil med den senaste inbyggda tekniken.

Ta dig tid att läsa igenom denna bruksanvisning och säkerhetsanvisningarna. Om du har några frågor, tveka inte att kontakta din återförsäljare eller Tivoli Audio.

*DAB/DAB+ är endast tillgängligt i länder som stödjer detta.

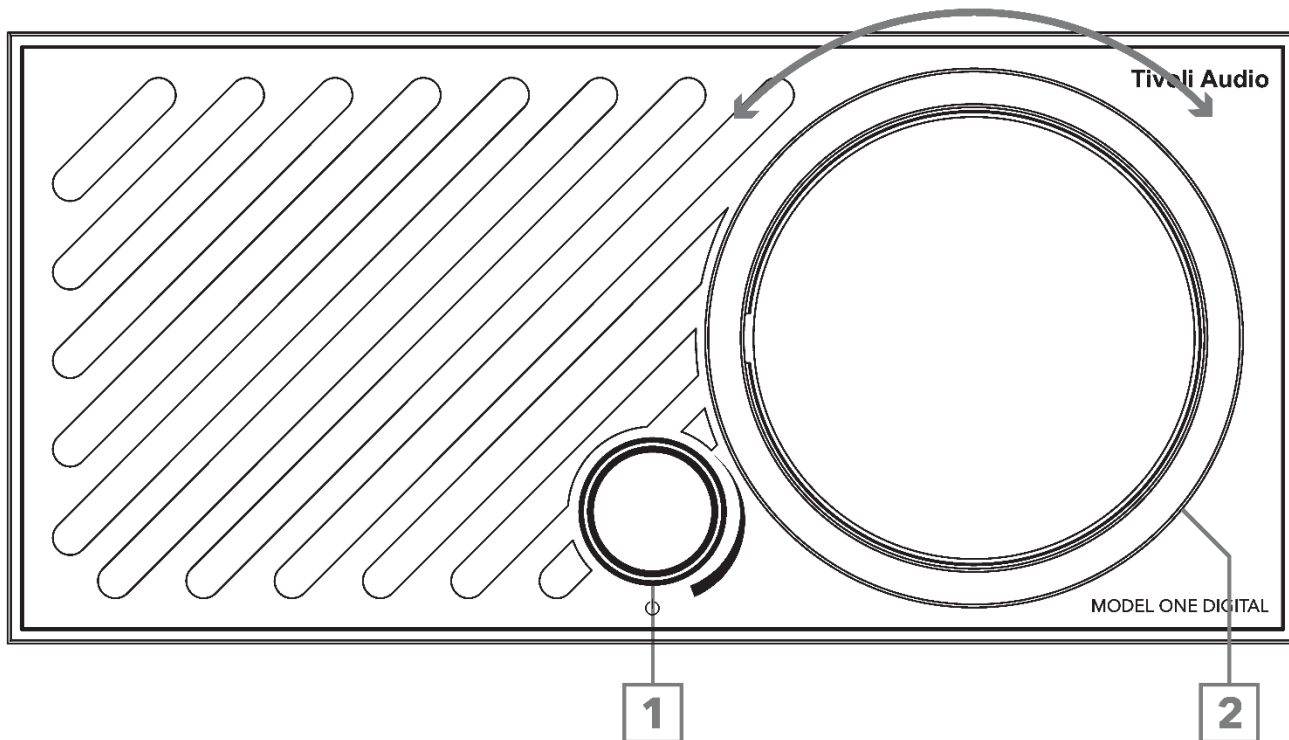
I förpackningen med din Model One Digital ska du hitta:

- (1) Extern strömförsörjning
- (1) FM/DAB teleskopantenn (installerad)
- (1) Fjärrkontroll (batteri installerat)

Kontakta din återförsäljare eller Tivoli Audio om någon av dessa artiklar saknas.

Guide till Funktioner

Frontpanel



1. **STRÖM-/KÄLLA-/VOLYMKNAPP:** Tryck en gång för att slå på enheten, håll intryckt för att stänga av den. När enheten är påslagen, tryck en gång för att växla mellan WiFi, FM, DAB (om tillgängligt), Bluetooth och extra källor. Vrid åt höger för att höja volymen, vrid åt vänster för att sänka volymen.

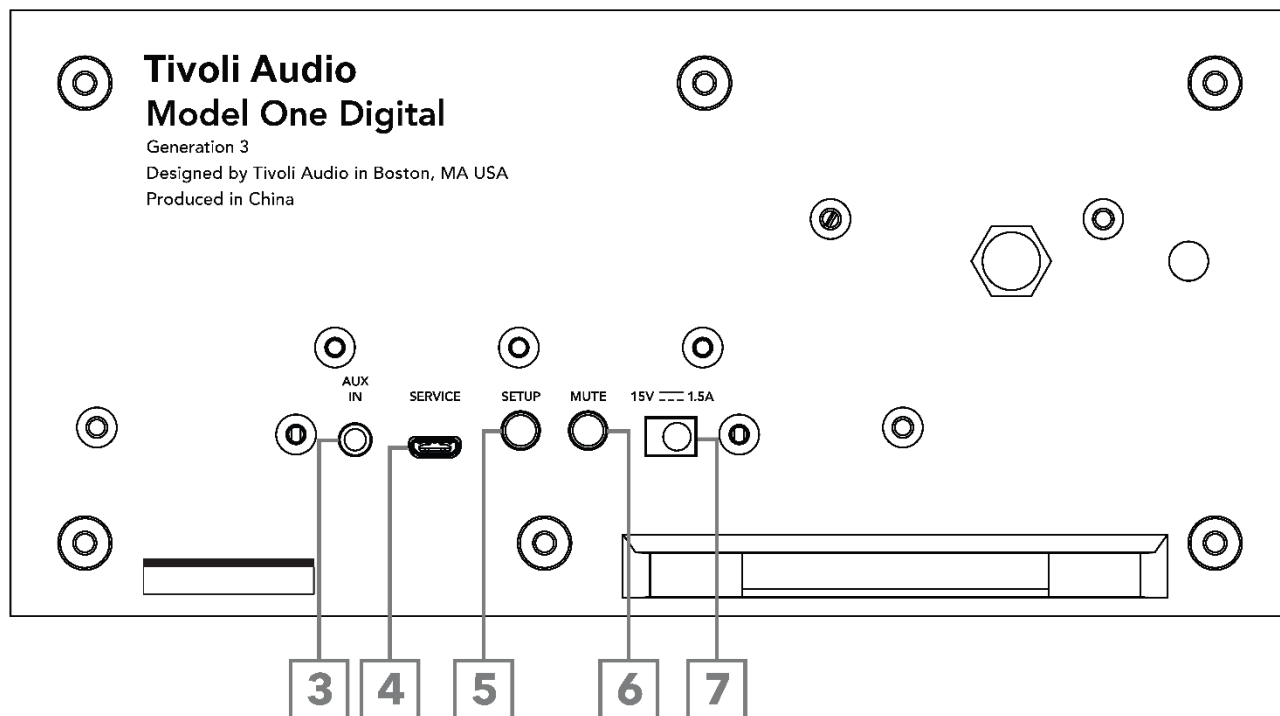
2. **BEZEL-KONTROLL:**

I FM/DAB-läge: Vrid åt vänster för att ställa in lägre frekvens. Vrid åt höger för att ställa in högre frekvens. Tryck en gång för att lägga till en station till dina förinställningar. Tryck två gånger för att söka eller ladda om DAB-stationslistan eller gå till nästa FM-station.

I Bluetooth-läge: Vrid åt vänster för att gå till föregående spår. Vrid åt höger för att gå till nästa spår. Tryck en gång för att spela upp/pausa. Håll intryckt för att gå till Bluetooth-parkopplingsläge.

I WiFi-strömningsläge: Vrid åt vänster för att gå till föregående spår. Vrid åt höger för att gå till nästa spår. Tryck en gång för att spela upp/pausa.

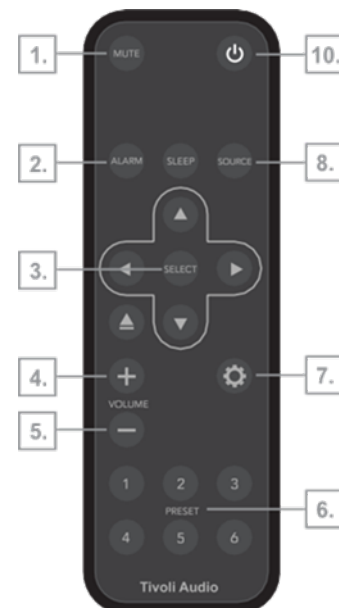
Bakpanel



3. **AUX IN:** Anslut en 3,5 mm stereokabel för en fristående upplevelse.
4. **SERVICE:** Micro USB-serviceport. Endast för användning av ett auktoriserat Tivoli-servicecenter.
5. **INSTÄLLNING:** Tryck för att aktivera anslutningen av högtalaren till ditt hemnätverk.
6. **MUTE:** Välj detta alternativ för att stänga av ljudet på din Model One Digital.
7. **Likström:** Anslut den medföljande strömadaptern från Tivoli Audio för att driva din Model One Digital.

Fjärrkontroll

1. **MUTE:** Stänger av ljudet på radion.
2. **ALARM:** Tryck för att ställa in radioalarmet.
3. **NAVIGERINGSPILAR/SELECT:** Använd pilarna för att navigera bland alternativen på skärmen och bekräfta valet med SELECT-knappen.
4. **VOLYM UPP:** Tryck för att höja volymen.
5. **VOLYM NER:** Tryck för att sänka volymen.
6. **FÖRINSTÄLLDA KNAPPAR:** Håll ned för att spara en ny radiostation. Tryck en gång för att återkalla en sparad radiostation.
7. **INSTÄLLNINGAR:** Tryck för att öppna hela inställningsmenyn.
8. **KÄLLA:** Tryck för att ändra radiokällan.
9. **SOV:** Tryck för att ställa in sömntimern.
10. **STRÖM:** Tryck för att slå på och stänga av radion.



VARNING: SVÄLJ INTE BATTERIET, RISK FÖR KEMISKA BRÄNNSKADOR. Fjärrkontrollen som medföljer denna produkt innehåller ett knappcellsbatteri. Om knappcellsbatteriet sväljs kan det orsaka allvarliga inre brännskador på bara två timmar och leda till döden. Förvara nya och använda batterier utom räckhåll för barn. Om batterifacket inte stängs ordentligt ska du sluta använda produkten och förvara den utom räckhåll för barn. Om du tror att batterier kan ha sväljts eller placerats inuti någon del av kroppen ska du omedelbart uppsöka läkare.



Alarminställning

Tryck på ALARM-knappen på fjärrkontrollen. Välj timme med hjälp av navigeringspilarna och tryck på SELECT för att bekräfta. Gör om detta för att välja minut och om du vill att alarmet ska vara aktivt. För att bekräfta, välj YES och tryck sedan på SELECT-knappen på fjärrkontrollen.

Sömntid inställd

Tryck på SLEEP-knappen på fjärrkontrollen. Välj timmen med hjälp av navigeringspilarna och tryck på SELECT för att bekräfta. Gör om detta för att välja minuterna. Bekräfta genom att välja YES och trycka på SELECT-knappen.

WiFi-läge

Wi-Fi-inställningar med Apple AirPlay

1. Slå på enheten genom att trycka på strömbrytaren eller strömbrytaren på fjärrkontrollen.
2. Ställ in högtalaren i Wi-Fi-läge genom att trycka kort på strömbrytaren tills skärmen visar WiFi-källa. Model One Digital går automatiskt in i Wi-Fi-inställningsläge när WiFi har initialiserats. Om högtalaren inte är i Wi-Fi-inställningsläge: tryck på knappen "Setup" på högtalarens baksida.
3. Gå till Wi-Fi-inställningarna på din iOS-enhet. Se till att ansluta din iOS-enhet till det nätverk som du avser att använda din Model One Digital med.
4. Bläddra ner till "Konfigurera ny AirPlay-högtalare..." och välj "Tivoli Audio M1D3_XXXXXX".
5. Byt namn på din högtalare (rekommenderas) och skapa ett lösenord (valfritt).
6. Välj "Nästa" och vänta på anslutningen.
7. Vänta på anslutningsbekräftelsen och välj "Klar".
8. När anslutningen är upprättad bekräftas detta med meddelandet "WiFi ansluten" på skärmen.
9. Din högtalare är nu redo att användas med AirPlay. Med AirPlay har du kontroll över ditt ljud.

För ytterligare support, besök support.apple.com

Wi-Fi-inställningar med Tivoli Audio Setup-appen

Krävs för Android-enheter för att ansluta M1D3 till Wi-Fi. Om du ansluter din högtalare till en Apple iOS-enhet, ladda ner Tivoli Audio Setup-appen eller följ instruktionerna i "Wi-Fi-inställningar med Apple AirPlay".

1. Installera appen Tivoli Audio Setup genom att ladda ner den till din Cast-kompatibla smartphone eller surfplatta. Appen Tivoli Audio Setup finns tillgänglig gratis på Google Play och Apple App Store.
2. Tillåt behörigheter för Wi-Fi, Bluetooth, närliggande enheter och plats under användning.
3. Se till att ansluta din smartphone/surfplatta till samma nätverk som du tänker använda med din Model One Digital med Google Cast.
4. Om du inte redan har gjort det, aktivera Bluetooth-anslutningen på din telefon. Detta gör att din WiFi-information kan skickas till högtalaren på ett tillförlitligt sätt.
5. Slå på högtalaren genom att trycka kort på strömbrytaren.
6. Ställ in högtalaren i Wi-Fi-läge genom att trycka kort på strömbrytaren tills skärmen visar "WiFi".
7. När WiFi har initialiserats visar skärmen läget WiFi-inställning aktiverad. Om högtalaren inte är i läget WiFi-inställning trycker du på inställningsknappen på baksidan av radion.
8. Öppna appen Tivoli Audio Setup på din smartphone/surfplatta.
9. Tryck på "Konfigurera ny enhet" eller "+ Lägg till" längst ned på skärmen och följ anvisningarna på skärmen.
10. Vänta tills appen har sökt efter tillgängliga högtalare och välj sedan den M1D3 som du vill konfigurera.
11. Bekräfta att du hörde ljudet.

12. På nästa skärm väljer du rätt Wi-Fi-adress och anger Wi-Fi-lösenordet. Du kan också ändra högtalarnas namn. Tryck sedan på Nästa.
13. Vänta tills enheten ansluter till ditt trådlösa nätverk och söker efter uppdateringar. Denna process kan ta några minuter.
14. Du kommer nu att uppmanas att aktivera Google Cast. Se avsnittet "Aktivera Google Cast" för mer information.
15. Din högtalare är nu redo att användas med Spotify Connect, Tidal Connect eller Apple AirPlay.

Aktivera Google Cast

Tivoli Audio Setup-appen krävs för att aktivera Google Cast på Android- och iOS-enheter.

1. När din Model One Digital är ansluten till Wi-Fi kan du aktivera Google Cast.
2. När du ansluter en Model One Digital till Wi-Fi för första gången kommer du att uppmanas att aktivera Google Cast. Du kan också aktivera Google Cast senare genom att gå till menyn Enhetsinställningar och trycka på inställningen Google Cast.
3. Läs igenom Googles användarvillkor och tryck på "Acceptera" för att fortsätta.
4. Bestäm om du vill delta i Googles kraschrapporter eller inte, det finns inget fel svar!
5. Du kommer nu att omdirigeras till Google Home-appen.
6. Leta efter din Model One Digital under fliken Enheter under Lokala enheter.
7. Lägg till den här högtalaren i det hem och rum du önskar.
8. Din M1D3 är nu redo att användas med Google Cast. Streama din favoritunderhållning från din telefon, surfplatta eller bärbara dator till din högtalare.

Så här använder du Google Cast:

1. Öppna valfri app som stöder Cast.
2. Välj CAST-knappen i appen.
3. Välj Model One Digital.
4. Tryck på PLAY-knappen i appen.

För ytterligare support, besök support.google.com/chromecast

Så här använder du Apple AirPlay:

1. Anslut din iOS-enhet till samma nätverk som din Model One Digital.
 2. Öppna Kontrollcenter på din iOS-enhet.
 3. Håll ned ljudkortet i det övre högra hörnet och tryck sedan på AirPlay.
 4. Välj din Model One Digital från listan över tillgängliga AirPlay-enheter och börja spela.
- För ytterligare support, besök support.apple.com

Så här använder du Spotify Connect:

Använd din telefon, surfplatta eller dator som fjärrkontroll för Spotify. Gå till spotify.com/connect för att lära dig hur.

Spotify-programvaran omfattas av tredjepartlicenser som finns här: <https://www.spotify.com/connect/third-party-licenses>

Så här använder du TIDAL Connect:

1. Spela en låt och tryck på fältet "Spelar nu".
2. Tryck på enhetsväljaren längst upp till höger.
3. Välj en enhet som stöder TIDAL Connect.

Bezel-kontroll

När du strömmar musik via WiFi fungerar Bezel-hjulet enligt följande:

Spela/pausa: Tryck kort på Bezel för att spela upp eller pausa musiken.

Nästa spår: Vrid Bezel åt höger för att gå till nästa spår i ett album eller en spellista.

Föregående spår: Vrid Bezel åt vänster för att gå till föregående spår i ett album eller en spellista.

Aux-läge

Din Model One Digital kan användas som en fristående högtalare. Använd helt enkelt en 3,5 mm stereokabel för att ansluta valfri linje- eller hörlurskälla till AUX-ingången på baksidan av din radio. Du kan reglera högtalarens volym med volymkontrollen på Model One Digital eller med volymkontrollen på din ljudkälla.

Bluetooth-läge

Parkoppling

Din Model One Digital kan fungera som en fristående Bluetooth-högtalare.

1. Tryck en gång på POWER/SOURCE/VOLUME KNOB på din radio tills skärmen på Model One Digital visar "Bluetooth".
2. Håll BEZEL intryckt på din radio tills skärmen på Model One Digital visar "Pairing Enabled".
3. Gå till skärmen för Bluetooth-inställningar på din telefon eller surfplatta.
4. Välj den enhet som har ett namn som liknar "Tivoli M1D3_XXXXXX".
5. När radion visar "Pairing Success" på skärmen är du ihopkopplad med radion.
6. Du kan börja spela din musik via Bluetooth.

Bezel-kontroll

När du strömmar musik via Bluetooth har Bezel-hjulet följande funktioner:

Spela/pausa: Tryck en gång på Bezel för att spela upp eller pausa musiken.

Nästa spår: Vrid Bezel åt höger för att gå till nästa spår i ett album eller en spellista.

Föregående spår: För att gå till föregående spår i ett album eller en spellista, vrid Bezel åt vänster.

Aktivera parkoppling: För att aktivera parkoppling, håll Bezel intryckt tills skärmen visar "Pairing Enabled" (Parkoppling aktiverad).

FM-läge

Bezel-kontroll

Manuell inställning: För att manuellt ställa in en station med högre frekvens, vrid ramen åt höger.

Manuell nedställning: För att manuellt ställa in en station med lägre frekvens, vrid ramen åt vänster.

Automatisk sökning uppåt: För att automatiskt söka efter en högre frekvens, tryck snabbt två gånger på ramen.

Lägg till en station till dina förinställda stationer: För att lägga till en station till dina sparade förinställda stationer, tryck en gång på ramen. Det är också möjligt att lägga till förinställningar med fjärrkontrollen. Håll bara ned numret på den förinställning du vill använda och vänta på bekräftelse på skärmen. För att radera förinställningen, håll ned knappen på fjärrkontrollen eller tryck länge på ramen.

DAB-läge

Bezel-kontroll

Manuell inställning: För att manuellt ställa in en station med högre frekvens, vrid ramen åt höger.

Manuell nedinställning: För att manuellt ställa in en station med lägre frekvens, vrid ramen åt vänster.

Skanna om: För att skanna om alla stationer, tryck snabbt två gånger på ramen.

Lägg till en station till dina förinställda stationer: För att lägga till en station till dina sparade förinställda stationer, tryck en gång på ramen. När den har lagts till kan du komma åt den med fjärrkontrollen. Det är också möjligt att lägga till förinställningar med fjärrkontrollen. Håll bara ned det nummer du vill använda och vänta på bekräftelse på skärmen. För att radera förinställningen, håll ned knappen på fjärrkontrollen eller tryck länge på ramen.

Observera: DAB är endast tillgängligt i länder som stödjer tjänsten.

Inställningar

Obs! Alla dessa funktioner är tillgängliga via fjärrkontrollen med hjälp av inställningsknappen. Du kan också komma åt inställningsmenyn genom att hålla in ramen och ström-/källa-/volymknappen samtidigt.

FM-skanningsstyrka inställd

I FM-läge trycker du på knappen Inställningar på fjärrkontrollen och använder sedan navigeringspilarna tills "FM-sökstyrka" visas på skärmen. Tryck på knappen VÄLJ på fjärrkontrollen. Välj önskad sökstyrka med navigeringspilarna och tryck sedan på knappen VÄLJ för att bekräfta.

Kontrast

Tryck på knappen Inställningar på fjärrkontrollen och använd sedan navigeringspilarna tills "Kontrast" visas på skärmen. Tryck på knappen VÄLJ på fjärrkontrollen. Använd navigeringspilarna tills önskad kontrast uppnås och tryck sedan på knappen VÄLJ för att bekräfta.

Aktivera automatisk tid

För att din Model One Digital ska kunna uppdatera tiden via WiFi, FM eller DAB, ställ in på "Aktivera". Om du väljer "Inaktivera" måste du ställa in tiden manuellt.

Manuell tidsinställning

Tryck på knappen Inställningar på fjärrkontrollen och använd sedan navigeringspilarna tills "Manuell tidsinställning" visas på skärmen. Tryck på knappen VÄLJ. Välj timme med hjälp av navigeringspilarna och tryck på VÄLJ för att bekräfta. Gör om detta för att välja minut, middagstid, dag, månad och år. För att bekräfta, välj JA och tryck sedan på knappen VÄLJ.

Larm inställt

Tryck på knappen Inställningar på fjärrkontrollen och använd sedan navigeringspilarna tills "Alarm inställt" visas på skärmen. Tryck på knappen VÄLJ på fjärrkontrollen. Välj timme med hjälp av navigeringspilarna och tryck på VÄLJ för att bekräfta. Gör om detta för att välja minut och om du vill att alarmet ska vara aktivt. För att bekräfta, välj JA och tryck sedan på knappen VÄLJ på fjärrkontrollen.

Sömntid inställd

Tryck på knappen Inställningar på fjärrkontrollen och vrid den tills "Sömntid inställd" visas på skärmen. Tryck på knappen VÄLJ på fjärrkontrollen. Välj timme med hjälp av navigeringspilarna och tryck på VÄLJ för att bekräfta. Gör om detta för att välja minuter. Bekräfta genom att välja JA och trycka på knappen VÄLJ.

Automatisk avstängning

Detta gör att din Model One Digital stängs av automatiskt om den är inaktiv under en viss tid. Tryck på knappen Inställningar på fjärrkontrollen och använd sedan navigeringspilarna tills "Auto Power Off"

(Automatisk avstängning) visas på skärmen. Tryck på knappen SELECT (Välj) på fjärrkontrollen. Använd navigeringspilarna tills bekräftelsen visas och tryck sedan på knappen SELECT (Välj) för att bekräfta. "Enable" (Aktivera) ställer in modellen så att den stängs av efter att den varit inaktiv under en viss tid. "Disable" (Inaktivera) stänger av denna funktion och enheten förblir alltid påslagen tills du stänger av den manuellt.

FW-version

Tryck på knappen Inställningar på fjärrkontrollen och använd sedan navigeringspilarna tills "FW-version" visas på skärmen. Tryck på SELECT för att visa den aktuella firmwareversionen.

Fabriksåterställning

En fabriksåterställning återställer alla funktioner på Model One Digital till standardinställningarna. Tryck på knappen Inställningar på fjärrkontrollen och använd sedan navigeringspilarna tills "Fabriksåterställning" visas på skärmen. Tryck på knappen VÄLJ på fjärrkontrollen. Använd navigeringspilarna tills bekräftelsen visas och tryck sedan på knappen VÄLJ för att bekräfta.

Övrig information

Firmwareuppdateringar

Din Model One Digital kommer att få regelbundna programuppdateringar ungefär var fjärde månad (och eventuellt även när du använder produkten för första gången). Högtalaren uppdateras automatiskt när den är ansluten till WiFi. Du behöver inte göra någonting!

Fabriksåterställning

En fabriksåterställning återställer alla funktioner på din Model One Digital till standardinställningarna. När högtalaren är påslagen håller du ned knapparna Setup och Mute tills skärmen visar meddelandet "Factory Resetting...". Släpp knapparna. Model One Digital startar om automatiskt när fabriksåterställningen är klar. Du kan också komma åt fabriksåterställningen via menyn Settings.

Standby-läge

Om din Model One Digital är påslagen och inte används kommer den automatiskt att gå in i standby-läge.

Normalt standbyläge: När Model One Digital inte är ansluten till WiFi eller Bluetooth går högtalaren in i normalt standbyläge efter 20 minuter utan ljuduppspelning. För att väcka högtalaren trycker du en gång på ström-/källknappen. Strömförbrukningen i normalt standbyläge är mindre än 0,5 W.

Nätverksstandby: När Model One Digital har anslutits till WiFi och/eller parats ihop med Bluetooth går högtalaren in i nätverksstandby efter 20 minuter utan ljuduppspelning. För att väcka högtalaren trycker du en gång på ström-/källknappen eller väljer högtalaren från kontrollcentret, CAST-menyn, Spotify Connect-menyn eller Tidal Connect-menyn. Strömförbrukningen i nätverksstandby-läge är mindre än 2 W.

Vård

En torr trasa rekommenderas för rengöring av baksidan, träkabinettet och metallgallret på din Model One Digital. Utsätt inte produkten för vatten.

Begränsad Garanti

Tivoli Audio tillverkar sina produkter enligt mycket höga standarder och vi är övertygade om att våra produkter kommer att fungera väl. Därför garanterar vi våra produkter mot tillverkningsfel i material och utförande till den ursprungliga ägaren, under en period av ett år i USA och två år i EU från det ursprungliga inköpsdatumet. I länder där minimigarantitiden är fastställd i lag är garantitiden den lagstadgade perioden. På alla andra platser är garantitiden ett år.

Garantin gäller inte för skador som orsakats av felaktig installation, felaktig extrautrustning, modifieringar, obehörig reparation, transportskador eller förlust, missbruk, olyckor, användning med felaktig spänning/ström, blixtnedslag eller andra naturkatastrofer, normalt slitage, kommersiell användning eller köp från obehöriga återförsäljare. För garantiservice kan det krävas inköpsbevis som visar att enheten har köpts från en auktoriserad återförsäljare inom garantiperioden. Om service skulle behövas, returnera INTE produkten utan att först kontakta din återförsäljare eller Tivoli Audio.

Denna garanti är inte överförbar. Tivoli Audio betalar inte för tidsförlust, olägenheter, förlorad användning av produkten eller skador som orsakats av denna produkt.

Denna garanti ger dig specifika juridiska rättigheter och du kan också ha andra rättigheter som varierar från stat till stat. Vissa stater tillåter inte begränsningar av underförstådda garantier eller uteslutande av följskador, därför kanske dessa begränsningar inte gäller för dig.

För mer information om garantin, besök oss på www.tivoliaudio.com

För europeisk garantiinformation, besök oss på www.tivoliaudio.eu

환영합니다

티볼리 오디오를 선택해 주셔서 감사합니다!

Model One Digital - Generation 3

Wi-Fi / DAB* / FM / Bluetooth® Radio

모델 원 디지털 3세대에서는 Wi-Fi와 좋아하는 앱 기반 스트리밍 서비스를 AirPlay 및 Google Cast를 통해 쉽게 연결할 수 있습니다. 또는 FM 또는 DAB(가능한 경우)의 지역 라디오 방송으로 집에서 좀 더 가까운 곳에서 음악을 즐길 수 있습니다. 이러한 모든 청취 옵션과 실내를 가득 채우는 사운드를 갖춘 모델 원 디지털은 최신 기술이 내장되어 음악과 스타일을 즐길 수 있는 훌륭한 방법입니다.

잠시 시간을 내어 본 사용설명서와 안전 지침을 읽어 보시기 바랍니다. 궁금한 점이 있으면 언제든지 딜러 또는 티볼리 오디오에 문의하시기 바랍니다.

*DAB/DAB+는 지원되는 국가에서만 사용할 수 있습니다.

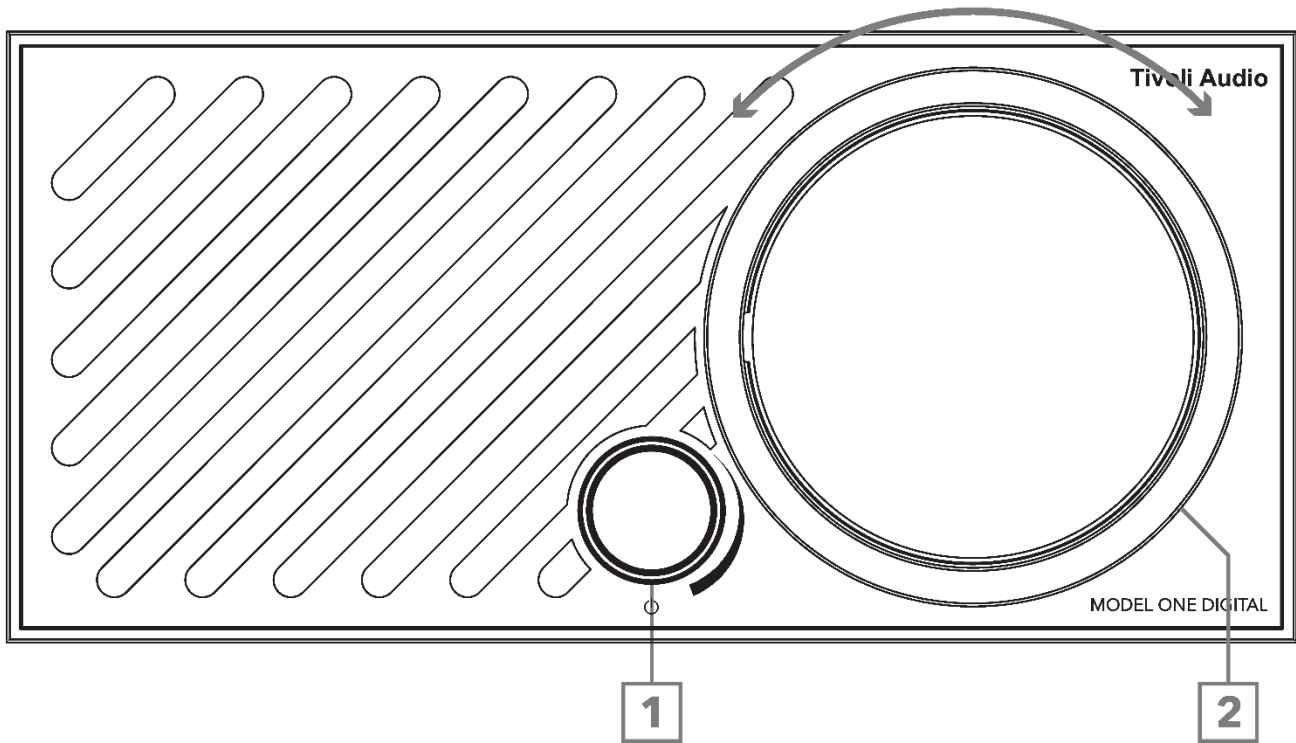
모델 원 디지털과 함께 제공됩니다:

- (1) 외부 전원 공급 장치
- (1) FM/DAB 텔레스코픽 안테나(설치됨)
- (1) 리모컨(배터리 설치)

누락된 품목이 있는 경우 딜러 또는 티볼리 오디오에 문의하시기 바랍니다.

기능 가이드

전면 패널



1. **전원/소스/볼륨 노브:** 한 번 누르면 전원이 켜지고, 길게 누르면 전원이 꺼집니다. 전원이 켜지면 한 번 눌러 WiFi, FM, DAB(사용 가능한 경우), Bluetooth 및 보조 소스 사이를 전환합니다. 볼륨을 높이려면 오른쪽으로 돌리고, 볼륨을 줄이려면 왼쪽으로 돌립니다.

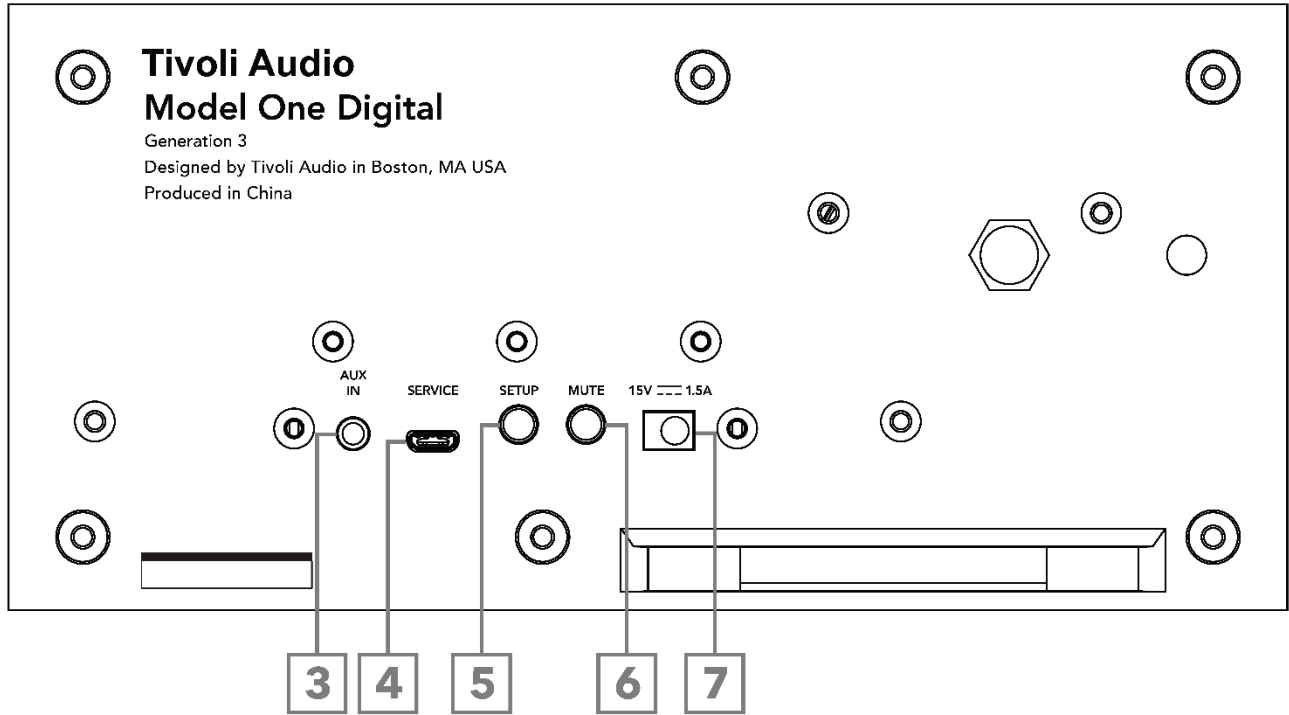
2. 베젤 제어:

FM/DAB 모드에서: 왼쪽으로 돌려 음량을 낮춥니다. 오른쪽으로 돌려서 튜닝합니다. 한 번 누르면 프리셋에 방송국을 추가할 수 있습니다. 두 번 누르면 DAB 방송국 목록을 스캔하거나 다시 로드하거나 다음 FM 방송국으로 이동합니다.

블루투스 모드에서: 이전 트랙으로 이동하려면 왼쪽으로 돌립니다. 다음 트랙으로 이동하려면 오른쪽으로 돌립니다. 한 번 누르면 재생/일시 정지됩니다. 길게 누르면 블루투스 페어링 모드로 들어갑니다.

WiFi 스트리밍 모드에서: 이전 트랙으로 이동하려면 왼쪽으로 돌립니다. 다음 트랙으로 이동하려면 오른쪽으로 돌립니다. 한 번 누르면 재생/일시정지됩니다.

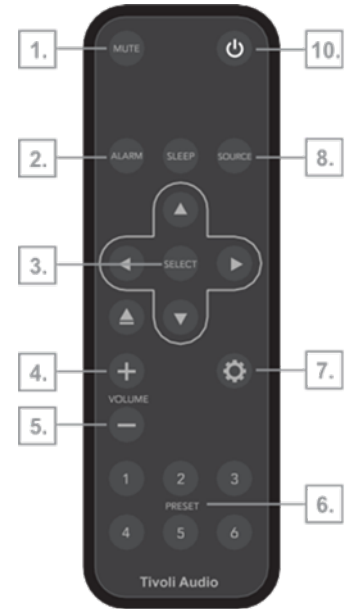
후면 패널



3. **AUX IN:** 독립형 환경을 위해 3.5mm 스테레오 케이블을 연결합니다.
4. **서비스:** 마이크로 USB 서비스 포트. 공인 티볼리 서비스 센터에서만 사용해야 합니다.
5. **설정:** 스피커를 홈 네트워크에 연결하려면 누르세요.
6. **음소거:** Model One Digital의 볼륨을 음소거하려면 선택합니다.
7. **DC 전원:** 제공된 티볼리 오디오 전원 어댑터를 연결하여 Model One Digital에 전원을 공급합니다.

원격 제어

1. **음소거:** 라디오를 음소거합니다.
2. **알람:** 라디오 알람을 설정하려면 누릅니다.
3. **탐색 화살표/선택:** 화살표를 사용하여 화면의 옵션을 탐색하고 선택 버튼으로 옵션을 확인합니다.
4. **볼륨 크게:** 볼륨을 높이려면 누릅니다.
5. **볼륨 낮추기:** 볼륨을 낮추려면 누릅니다.
6. **프리셋 버튼:** 새 라디오 방송국을 저장하려면 길게 누릅니다. 한 번 누르면 저장된 라디오 방송국을 불러올 수 있습니다.
7. **설정:** 전체 설정 메뉴로 들어가려면 누릅니다.
8. **소스:** 라디오 소스를 변경하려면 누릅니다.
9. **절전:** 절전 타이머를 설정하려면 누르세요.
10. **전원:** 라디오를 켜고 끄려면 누르세요.



경고: 배터리, 화학적 화상 위험 섭취하지 마세요. 이 제품과 함께 제공되는 리모컨에는 동전형/버튼형 건전지가 포함되어 있습니다. 동전형/버튼형 건전지를 삼키면 2시간 만에 심각한 내부 화상을 입을 수 있으며 사망에 이를 수 있습니다. 새 배터리와 사용한 배터리는 어린이의 손이 닿지 않는 곳에 보관하세요. 배터리 함이 단단히 닫히지 않으면 제품 사용을 중단하고 어린이의 손이 닿지 않는 곳에 보관하세요. 배터리를 삼켰거나 신체 부위에 넣었다고 생각되면 즉시 의사의 진료를 받으도록 하세요.



알람 설정

리모컨의 알람 버튼을 누릅니다. 탐색 화살표를 사용하여 시간을 선택한 후 SELECT를 눌러 확인합니다. 분을 선택하고 알람을 활성화할지 여부를 선택하려면 이 과정을 다시 수행합니다. 확인하려면 예를 선택한 다음 리모컨의 SELECT 버튼을 눌러 확인합니다.

수면 시간 설정

리모컨의 취침 버튼을 누릅니다. 탐색 화살표를 사용하여 시간을 선택한 후 SELECT를 눌러 확인합니다. 분을 선택하려면 이 과정을 다시 수행합니다. 확인하려면 예를 선택한 다음 선택 버튼을 누릅니다.

WiFi 모드

Apple AirPlay로 Wi-Fi 설정

1. 전원 노브 또는 리모컨의 전원 버튼을 눌러 기기를 켭니다.
2. 화면에 WiFi 소스가 표시될 때까지 전원 노브를 짧게 눌러 스피커를 Wi-Fi 모드로 설정합니다. WiFi가 초기화되면 Model One Digital이 자동으로 Wi-Fi 설정 모드로 들어갑니다. 스피커가 Wi-Fi 설정 모드에 있지 않은 경우: 스피커 뒷면의 “설정” 버튼을 누릅니다.
3. iOS 장치에서 Wi-Fi 설정으로 이동합니다. iOS 장치를 Model One Digital을 사용하려는 네트워크에 연결해야 합니다.
4. 아래로 스크롤하여 “새 AirPlay 스피커 설정...”까지 이동한 후 “Tivoli Audio M1D3_XXXXXX”를 선택합니다.
5. 스피커 이름을 변경하고(권장) 비밀번호를 생성합니다(선택 사항).
6. “다음”을 선택하고 연결을 기다립니다.
7. 연결 확인을 기다린 후 “완료”를 선택합니다.
8. 연결되면 디스플레이에 “WiFi 연결됨” 메시지가 표시됩니다.
9. 이제 스피커를 AirPlay와 함께 사용할 준비가 되었습니다. AirPlay를 사용하면 오디오를 제어할 수 있습니다. 추가 지원이 필요하면 support.apple.com을 방문하십시오.

티볼리 오디오 셋업 앱으로 Wi-Fi 설정하기

Android 장치에서 M1D3을 Wi-Fi에 연결하기 위해 필요합니다. Apple iOS 기기와 스피커를 연결할 경우, Tivoli 오디오 설정 앱을 다운로드하거나 “Apple AirPlay로 Wi-Fi 설정” 지침을 따르세요.

1. Cast가 지원되는 스마트폰 또는 태블릿에서 앱을 다운로드하여 티볼리 오디오 셋업 앱을 설치합니다. 티볼리 오디오 셋업 앱은 구글 플레이 및 애플 앱스토어에서 무료로 다운로드 받을 수 있습니다.
2. Wi-Fi, 블루투스, 주변 기기 및 사용 중 위치에 대한 권한을 허용합니다.
3. 스마트폰/태블릿을 Model One Digital with Google Cast와 사용하려는 네트워크와 동일한 네트워크에 연결합니다.
4. 아직 연결하지 않았다면 휴대폰의 블루투스 연결을 켭니다. 이렇게 하면 WiFi 정보를 스피커로 안정적으로 전송할 수 있습니다.
5. 전원 노브를 짧게 눌러 스피커를 켭니다.

6. 화면에 “WiFi”가 표시될 때까지 전원 노브를 짧게 눌러 스피커를 Wi-Fi 모드로 설정합니다.
7. WiFi가 초기화되면 화면에 WiFi 설정 활성화 모드가 표시됩니다. 스피커가 WiFi 설정 모드가 아닌 경우 라디오 뒷면의 설정 버튼을 누릅니다.
8. 스마트폰/태블릿에서 티볼리 오디오 셋업 앱을 엽니다.
9. 화면 하단의 “새 장치 설정” 또는 “+ 추가”를 누르고 화면의 안내에 따릅니다.
10. 앱에서 사용 가능한 스피커를 검색할 때까지 기다린 후 설정하려는 M1D3를 선택합니다.
11. 소음이 들리는지 확인합니다.
12. 다음 화면에서 올바른 Wi-Fi 주소를 선택하고 Wi-Fi 비밀번호를 입력합니다. 스피커의 이름을 변경할 수도 있습니다. 그런 다음 다음을 탭합니다.
13. 장치가 무선 네트워크에 연결될 때까지 기다렸다가 업데이트를 확인합니다. 이 과정은 몇 분 정도 걸릴 수 있습니다.
14. 이제 Google Cast를 활성화하라는 메시지가 표시됩니다. 자세한 내용은 “Google Cast 활성화하기” 섹션을 참조하세요.
15. 이제 스피커를 Spotify Connect, Tidal Connect 또는 Apple AirPlay와 함께 사용할 준비가 되었습니다.

Google Cast 활성화하기

Android 및 iOS 기기에서 Google Cast를 활성화하려면 티볼리 오디오 셋업 앱이 필요합니다.

1. Model One Digital이 Wi-Fi에 연결되면 Google Cast를 활성화할 수 있습니다.
2. Model One Digital을 Wi-Fi에 처음 연결할 때 Google Cast를 활성화하라는 메시지가 표시됩니다. 나중에 장치 설정 메뉴로 이동하여 Google Cast 설정을 탭하여 Google Cast를 활성화할 수도 있습니다.
3. Google 서비스 약관을 검토하고 “동의”를 탭하여 계속 진행합니다.
4. Google의 충돌 보고서를 수신할지 여부를 결정하세요. 정답은 없습니다!
5. 이제 Google 홈 앱으로 이동합니다.
6. 로컬 장치 아래의 장치 탭에서 모델 원 디지털을 찾습니다.
7. 원하는 집과 방에 이 스피커를 추가합니다.
8. 이제 M1D3를 Google Cast와 함께 사용할 준비가 되었습니다. 휴대폰, 태블릿 또는 노트북에서 좋아하는 엔터테인먼트를 스피커로 스트리밍하세요.

Google Cast 사용 방법

1. Cast 지원 앱을 엽니다.
2. 앱에서 캐스트 버튼을 선택합니다.
3. 디지털 모델 1을 선택합니다.
4. 앱에서 재생 버튼을 누릅니다.

추가 지원은 support.google.com/chromecast를 참조하세요.

Apple AirPlay 사용 방법:

1. iOS 기기를 Model One Digital과 동일한 네트워크에 연결합니다.
2. iOS 장치에서 제어 센터를 엽니다.
3. 오른쪽 상단 모서리에 있는 오디오 카드를 길게 누른 다음 AirPlay를 탭합니다.
4. 사용 가능한 AirPlay 장치 목록에서 Model One Digital을 선택하고 재생을 시작합니다.

추가 지원은 support.apple.com을 방문하십시오.

Spotify Connect를 사용하는 방법:

휴대폰, 태블릿 또는 컴퓨터를 Spotify의 리모컨으로 사용하세요. 방법을 알아보려면 spotify.com/connect로 이동하세요.

Spotify 소프트웨어는 여기(<https://www.spotify.com/connect/third-party-licenses>)에서 확인할 수 있는 타사 라이선스의 적용을 받습니다.

TIDAL Connect 사용 방법:

1. 노래를 재생하고 '지금 재생 중' 표시줄을 탭합니다.
2. 오른쪽 상단의 기기 선택기를 탭합니다.
3. TIDAL Connect 지원 장치를 선택합니다.

베젤 제어

Wi-Fi를 통해 음악을 스트리밍하는 동안 베젤 휠은 다음과 같은 작업을 수행합니다:

재생/일시 정지: 음악을 재생하거나 일시정지하려면 베젤을 짧게 누릅니다.

다음 트랙: 앨범 또는 재생목록에서 다음 트랙으로 이동하려면 베젤을 오른쪽으로 돌립니다.

이전 트랙: 앨범 또는 재생목록의 이전 트랙으로 이동하려면 베젤을 왼쪽으로 돌립니다.

보조 입력 모드

Model One Digital을 독립형 스피커로 사용할 수 있습니다. 3.5mm 스테레오 케이블을 사용하여 라인 또는 헤드폰 레벨의 소스를 라디오 뒷면의 AUX 입력에 연결하기만 하면 됩니다. Model One Digital의 볼륨 컨트롤을 사용하거나 오디오 소스의 볼륨 컨트롤을 사용하여 스피커의 볼륨을 조절할 수 있습니다.

블루투스 모드

페어링

모델 원 디지털은 독립형 블루투스 스피커로 사용할 수 있습니다.

1. 라디오에서 Model One Digital의 화면에 "Bluetooth"가 표시될 때까지 전원/소스/볼륨 노브를 한 번 누릅니다.
2. 라디오에서 Model One Digital의 화면에 "페어링 사용됨"이라고 표시될 때까지 베젤을 길게 누릅니다.
3. 휴대폰 또는 태블릿의 블루투스 설정 화면으로 이동합니다.
4. "티볼리 M1D3_XXXXXX"와 유사한 이름을 가진 장치를 선택합니다.
5. 라디오 화면에 "페어링 성공"이 표시되면 라디오와 페어링이 완료된 것입니다.
6. 블루투스를 통해 음악 재생을 시작할 수 있습니다.

베젤 제어

블루투스로 음악 소스를 스트리밍하는 동안 베젤 휠은 다음과 같은 작업을 수행합니다:

재생/일시 정지: 음악을 재생하거나 일시 중지하려면 베젤을 한 번 누릅니다.

다음 트랙: 앨범 또는 재생 목록에서 다음 트랙으로 이동하려면 베젤을 오른쪽으로 돌립니다.

이전 트랙: 앨범 또는 재생목록의 이전 트랙으로 이동하려면 베젤을 왼쪽으로 돌립니다.

페어링 활성화하기: 페어링을 활성화하려면 화면에 “페어링 활성화됨”이 표시될 때까지 베젤을 길게 누릅니다.

FM 모드

베젤 제어

수동 튜닝: 더 높은 주파수 대역으로 수동 튜닝하려면 베젤을 오른쪽으로 돌리세요.

수동 감쇠: 더 낮은 주파수 대역으로 수동 감쇠하려면 베젤을 왼쪽으로 돌립니다.

자동 스캔 위로: 더 높은 빈도로 자동 스캔하려면 베젤을 빠르게 두 번 누릅니다.

프리셋 방송국에 방송국 추가하기: 저장된 프리셋 방송국에 방송국을 추가하려면 베젤을 한 번 누릅니다.

리모컨을 사용하여 프리셋을 추가할 수도 있습니다. 사용하려는 프리셋 번호를 길게 누르고 화면에서 확인될 때까지 기다리면 됩니다. 프리셋을 삭제하려면 리모컨의 버튼을 길게 누르거나 베젤 컨트롤을 길게 누릅니다.

DAB 모드

베젤 제어

수동 튜닝: 더 높은 주파수 대역으로 수동 튜닝하려면 베젤을 오른쪽으로 돌리세요.

수동 감쇠: 더 낮은 주파수 대역으로 수동 감쇠하려면 베젤을 왼쪽으로 돌립니다.

재검색: 모든 스테이션을 다시 스캔하려면 베젤을 빠르게 두 번 누릅니다.

프리셋 방송국에 방송국 추가하기: 저장된 프리셋 방송국에 방송국을 추가하려면 베젤을 한 번 누릅니다. 추가한 후에는 리모컨을 사용하여 액세스할 수 있습니다. 리모컨을 사용하여 프리셋을 추가할 수도 있습니다.

사용하려는 프리셋 번호를 길게 누르고 화면의 확인을 기다리기만 하면 됩니다. 프리셋을 삭제하려면 리모컨의 버튼을 길게 누르거나 베젤 컨트롤을 길게 누릅니다.

참고: DAB는 지원되는 국가에서만 사용할 수 있습니다.

설정

참고: 이 모든 기능은 리모컨의 설정 버튼을 통해 사용할 수 있습니다. 베젤과 전원/소스/볼륨 노브를 함께 길게 눌러 설정 메뉴에 액세스할 수도 있습니다.

FM 스캔 강도 설정

FM 모드에서 리모컨의 설정 버튼을 누른 다음 탐색 화살표를 사용하여 화면에 “FM 스캔 강도”가 나타날 때까지 이동합니다. 리모컨의 선택 버튼을 누릅니다. 탐색 화살표로 원하는 스캔 강도를 선택한 다음 선택 버튼을 눌러 확인합니다.

대비

리모컨의 설정 버튼을 누른 다음 화면에 “대비”가 나타날 때까지 탐색 화살표를 사용합니다. 리모컨의 선택 버튼을 누릅니다. 원하는 명암이 될 때까지 탐색 화살표를 사용한 다음 선택 버튼을 눌러 확인합니다.

자동 시간 활성화

Model One Digital이 WiFi, FM 또는 DAB를 통해 시간을 업데이트할 수 있도록 하려면 “사용”으로 설정합니다. “사용 안 함”을 선택하면 시간을 수동으로 설정해야 합니다.

수동 시간 설정

리모컨의 설정 버튼을 누른 다음 화면에 “수동 시간 설정”이 나타날 때까지 탐색 화살표를 사용합니다. 선택 버튼을 누릅니다. 탐색 화살표를 사용하여 시간을 선택한 후 SELECT 버튼을 눌러 확인합니다. 분, 메리디엄, 일, 월, 연도를 선택하려면 이 과정을 다시 수행합니다. 확인하려면 예를 선택한 다음 선택 버튼을 누릅니다.

알람 설정

리모컨의 설정 버튼을 누른 다음 화면에 “알람 설정”이 나타날 때까지 탐색 화살표를 사용합니다. 리모컨의 선택 버튼을 누릅니다. 탐색 화살표를 사용하여 시간을 선택한 다음 선택 버튼을 눌러 확인합니다. 분을 선택하고 알람을 활성화할지 여부를 선택하려면 이 과정을 다시 수행합니다. 확인하려면 예를 선택한 다음 리모컨의 SELECT 버튼을 누릅니다.

수면 시간 설정

리모컨의 설정 버튼을 누른 다음 화면에 “절전 시간 설정”이 나타날 때까지 돌립니다. 리모컨의 선택 버튼을 누릅니다. 탐색 화살표를 사용하여 시간을 선택한 후 선택 버튼을 눌러 확인합니다. 분을 선택하려면 이 과정을 다시 수행합니다. 확인하려면 예를 선택한 다음 선택 버튼을 누릅니다.

자동 전원 끄기

이렇게 하면 일정 시간 동안 사용하지 않을 경우 Model One Digital이 스스로 꺼집니다. 리모컨의 설정 버튼을 누른 다음 화면에 “자동 전원 끄기”가 나타날 때까지 탐색 화살표를 사용합니다. 리모컨의 선택 버튼을 누릅니다. 확인 메시지가 나타날 때까지 탐색 화살표를 사용한 다음 선택 버튼을 눌러 확인합니다. “사용”을 선택하면 일정 시간 동안 유휴 상태가 되면 모델이 꺼지도록 설정됩니다. “비활성화”를 선택하면 이 기능이 꺼지고 수동으로 전원을 끌 때까지 항상 켜진 상태로 유지됩니다.

FW 버전

리모컨의 설정 버튼을 누른 다음 탐색 화살표를 사용하여 화면에 “FW 버전”이 나타날 때까지 이동합니다. SELECT를 눌러 현재 펌웨어 버전을 확인합니다.

공장 초기화

공장 초기화는 모델 원 디지털의 모든 기능을 기본 설정으로 복원합니다. 리모컨의 설정 버튼을 누른 다음 화면에 “공장 초기화”가 나타날 때까지 탐색 화살표를 사용합니다. 리모컨의 선택 버튼을 누릅니다. 확인 메시지가 나타날 때까지 탐색 화살표를 사용한 다음 SELECT 버튼을 눌러 확인합니다.

기타 정보

펌웨어 업데이트

Model One Digital은 약 4개월마다(그리고 제품을 처음 사용할 때에도) 주기적으로 소프트웨어 업데이트가 이루어집니다. 스피커가 WiFi에 연결되면 자동으로 업데이트됩니다. 아무것도 할 필요가 없습니다!

공장 초기화

공장 초기화를 수행하면 Model One Digital의 모든 기능이 기본 설정으로 복원됩니다. 스피커 전원이 켜지면 화면에 “공장 초기화 중...” 메시지가 표시될 때까지 설정 및 음소거 버튼을 길게 누릅니다. 버튼에서 손을 뗍니다. 공장 초기화가 완료되면 Model One Digital이 자동으로 재부팅됩니다. 설정 메뉴를 통해서도 공장 초기화에 액세스할 수 있습니다.

대기 모드

Model One Digital의 전원이 켜져 있고 유힬 상태인 경우 자동으로 대기 모드로 전환됩니다.

일반 대기: Model One Digital이 WiFi에 연결되지 않았거나 Bluetooth에 페어링되지 않은 경우 20분 동안 오디오를 재생하지 않으면 스피커가 일반 대기 모드로 전환됩니다. 스피커를 깨우려면 전원/소스 노브를 한 번 누릅니다. 일반 대기 모드의 전력 소비는 0.5W 미만입니다.

네트워크 대기: Model One Digital이 WiFi에 연결되었거나 Bluetooth에 페어링된 경우 20분 동안 오디오를 재생하지 않으면 스피커가 네트워크 대기 모드로 전환됩니다. 스피커를 깨우려면 전원/소스 노브를 한 번 누르거나 제어 센터, CAST 메뉴, Spotify Connect 메뉴 또는 Tidal Connect 메뉴에서 스피커를 선택합니다. 네트워크 대기 모드의 전력 소비는 2W 미만입니다.

관리

마른 천으로 Model One Digital의 뒷면과 목재 캐비닛 및 금속 그릴을 청소하는 것이 좋습니다. 물에 노출시키지 마세요.

제한적 보증

Tivoli Audio는 매우 높은 기준에 맞춰 제품을 제조하고 있으며 우리 제품이 좋은 성능을 발휘할 것이라고 확신합니다. 따라서 당사는 원래 구입일로부터 미국에서는 1년, 유럽 연합에서는 2년 동안 재료 및 제작 기술의 제조 결함에 대해 원래 소유자에게 제품을 보증합니다. 법령에 따라 최소 보증 기간이 정해져 있는 국가의 경우 보증 기간은 법정 요구 기간입니다. 다른 모든 지역의 보증 기간은 1년입니다.

이 보증은 부적절한 설치, 결함이 있는 보조 장비, 개조, 무단 수리, 운송 손상 또는 손실, 남용, 사고, 부적절한 전압/전류에서의 사용, 낙뢰 또는 기타 천재지변, 정상적인 마모 및 파손, 상업적인 손상으로 인해 발생한 손상에는 적용되지 않습니다. 승인되지 않은 대리점에서 사용하거나 구입하십시오. 보증 서비스를 받으려면 보증 기간 내에 공인 대리점에서 장치를 구입했다는 증거로 구매 증명이 필요할 수 있습니다. 서비스가 필요한 경우 먼저 대리점이나 Tivoli Audio에 연락하지 않고 제품을 반품하지 마십시오.

이 보증은 양도할 수 없습니다. Tivoli Audio는 본 제품으로 인해 발생한 시간 손실, 불편함, 제품 사용 손실 또는 손해에 대해 비용을 지불하지 않습니다.

본 보증은 귀하에게 특정한 법적 권리를 부여하며 귀하는 주에 따라 다른 권리를 가질 수도 있습니다. 일부 주에서는 묵시적 보증에 대한 제한이나 결과적 손해의 배제를 허용하지 않으므로 이러한 제한 사항이 귀하에게 적용되지 않을 수도 있습니다.

더 많은 보증 정보를 보려면 www.tivoliaudio.com 을 방문하십시오.

유럽 보증 정보를 보려면 www.tivoliaudio.eu 를 방문하십시오.

欢迎

感谢您选择Tivoli Audio !

Model One Digital - Generation 3

Wi-Fi / DAB* / FM / Bluetooth® Radio

Model One Digital第三代产品让您轻松通过AirPlay和Google Cast连接Wi-Fi及喜爱的应用流媒体服务。亦可收听本地FM或DAB广播（视地区而定），享受更贴近生活的音频体验。凭借多样化的聆听选择与充满整个房间的音效，Model One Digital以内置尖端科技，为您呈现音乐与格调的完美融合。

请花一点时间阅读本用户手册及安全说明。如有任何疑问，请随时联系您的经销商或Tivoli Audio。

*DAB/DAB+仅在支持的国家可用。

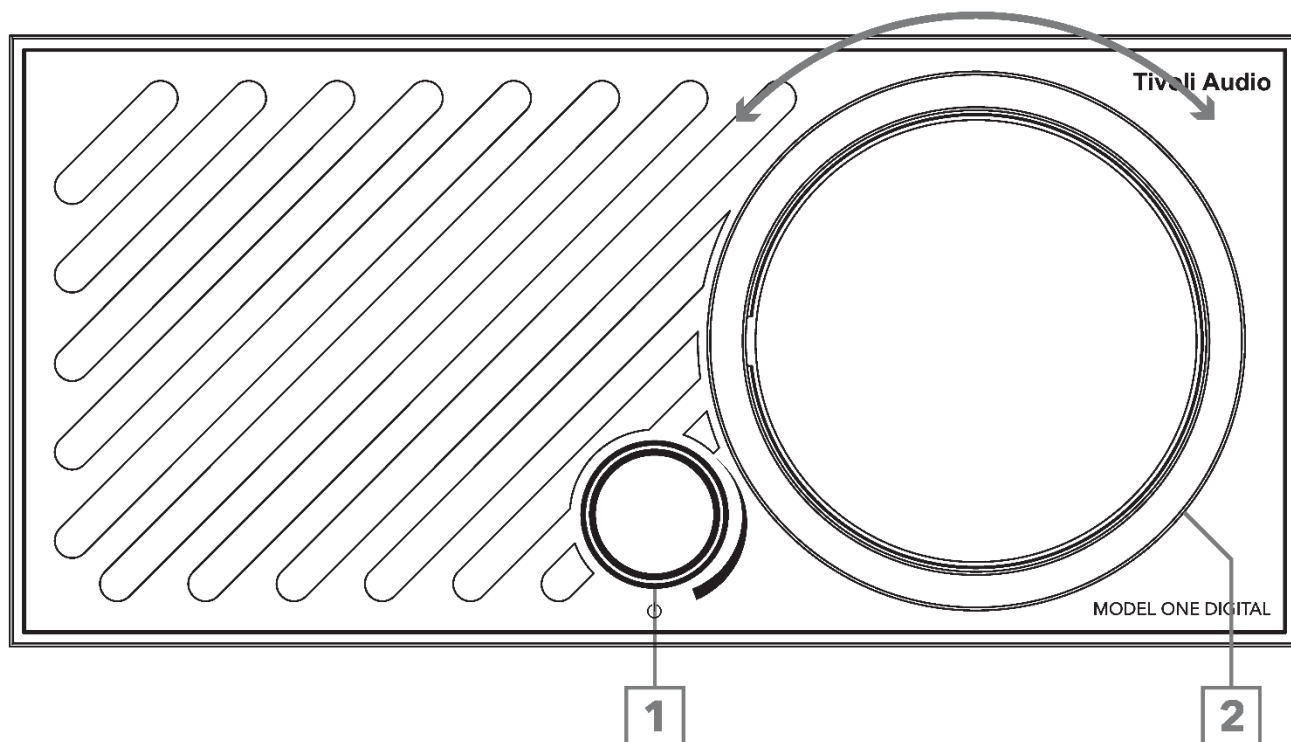
随您的Model One Digital包装内应包含：

- (1) 外部电源
- (1) FM/DAB 伸缩天线（已安装）
- (1) 遥控器（内置电池）

如发现上述任何物品缺失，请联系您的经销商或Tivoli Audio。

功能指南

前面板



1. 电源/音源/音量旋钮：单击开启设备，长按关闭。开机状态下单击可在WiFi、FM、DAB（如可用）、蓝牙及辅助音源间循环切换。向右旋转增大音量，向左旋转减小音量。

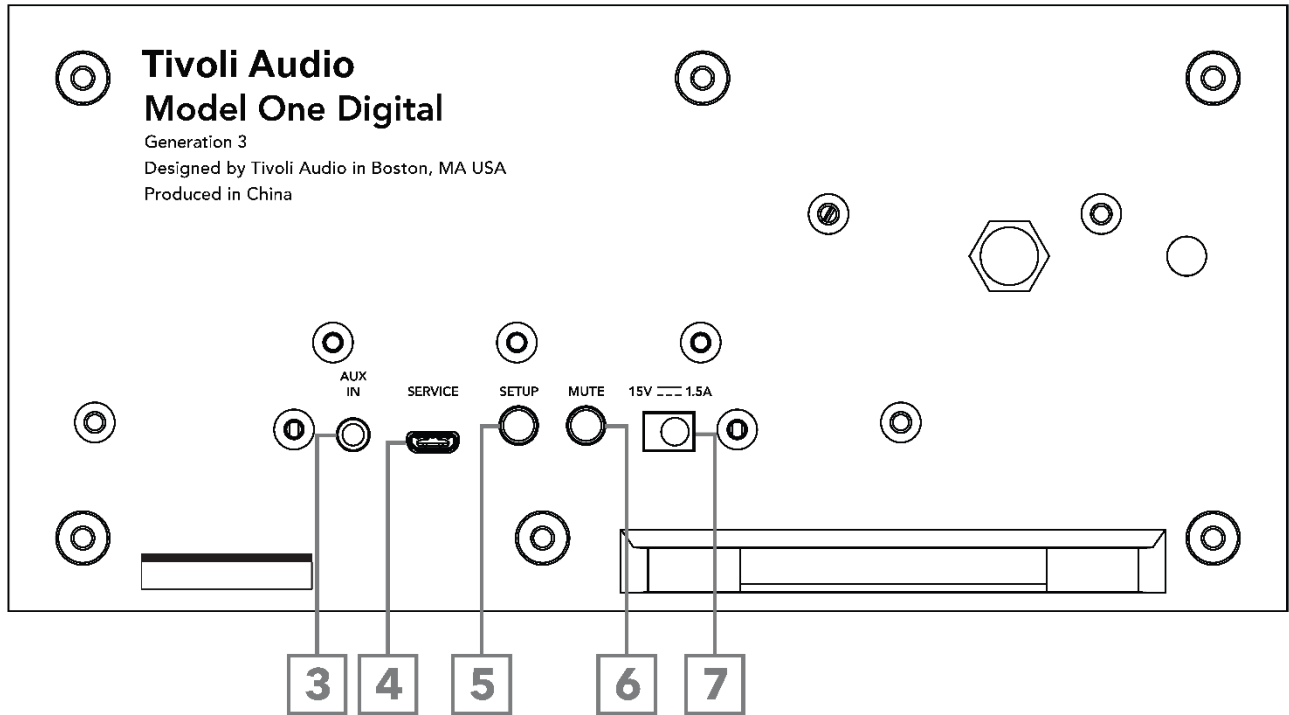
2. 表圈控制：

在FM/DAB模式下：向左旋转调低频率。向右旋转调高频率。单击按键将电台添加至预设列表。双击按键可扫描或重新加载DAB电台列表，或切换至下一FM电台。

蓝牙模式下：向左转跳至上一首曲目。向右转跳至下一首曲目。单击播放/暂停。长按进入蓝牙配对模式。

在WiFi流媒体模式下：向左转返回上一首曲目。向右转跳至下一首曲目。单击播放/暂停。

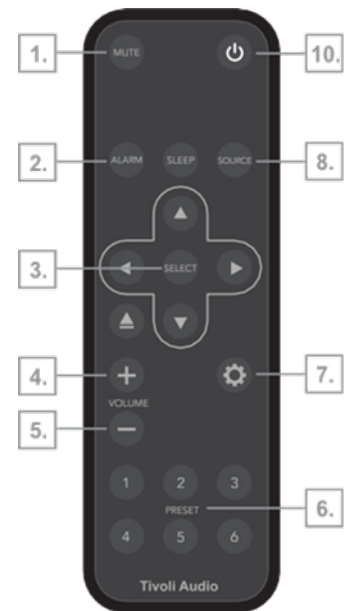
后面板



3. 辅助输入：插入3.5毫米立体声线缆，享受独立音频体验。
4. SERVICE：Micro USB服务端口。仅限Tivoli授权服务中心使用。
5. SETUP：轻触此键可将音箱连接至家庭网络。
6. MUTE：选择此键可静音Model One Digital音量。
7. DC Power：连接随附的Tivoli Audio电源适配器为Model One Digital供电。

遥控器

1. 静音：关闭收音机声音。
2. 闹钟：按下设置收音机闹钟。
3. 导航箭头/选择：使用箭头键浏览屏幕选项，按下选择键确认选项。
4. 音量增大：按下提高音量。
5. 音量减小：按下降低音量。
6. 预设按钮：长按保存新电台，单击调用已存电台。
7. 设置：进入完整设置菜单。
8. 音源：切换广播音源。
9. 睡眠定时：设置关机定时。
10. 电源：开关机。



警告：切勿吞食电池，化学灼伤危险。本产品随附的遥控器内含纽扣电池。若误吞纽扣电池，仅需2小时即可引发严重内脏灼伤，甚至导致死亡。请将新旧电池远离儿童。若电池仓无法紧密闭合，请立即停止使用本产品并将其远离儿童。若怀疑电池已被吞食或置入体内任何部位，请立即就医。



闹钟设置

按下遥控器上的ALARM按钮。使用导航箭头选择小时，按SELECT确认。重复此操作选择分钟，并选择是否启用闹钟。确认时选择YES，然后按遥控器上的SELECT按钮。

睡眠时间设置

按下遥控器上的SLEEP按钮。使用导航箭头选择小时，按SELECT确认。重复此操作选择分钟。确认时选择YES，然后按SELECT按钮。

WiFi模式

通过Apple AirPlay设置Wi-Fi

1. 按下电源旋钮或遥控器上的电源按钮开启设备。
2. 短按电源旋钮直至屏幕显示WiFi源，将扬声器切换至Wi-Fi模式。Model One Digital将在WiFi初始化后自动进入Wi-Fi设置模式。若扬声器未进入Wi-Fi设置模式：请按下扬声器背面的“设置”按钮。
3. 在iOS设备上进入Wi-Fi设置，确保设备连接至Model One Digital将使用的网络。
4. 滚动至“设置新AirPlay扬声器...”，选择“Tivoli Audio M1D3_XXXXXX”。
5. 建议重命名扬声器（推荐操作）并设置密码（可选）。
6. 选择“下一步”并等待连接。
7. 等待连接确认后，选择“完成”。
8. 连接成功后，显示屏将显示“WiFi已连接”提示。
9. 您的扬声器现已支持AirPlay功能。通过AirPlay，您可自由掌控音频播放。

如需更多支持，请访问support.apple.com

使用Tivoli Audio设置应用程序进行Wi-Fi设置

此应用程序是Android设备连接M1D3至Wi-Fi的必备工具。若您使用苹果iOS设备连接扬声器，请下载Tivoli Audio设置应用程序，或遵循“通过Apple AirPlay进行Wi-Fi设置”的说明。

1. 在支持Cast功能的智能手机或平板电脑上下载并安装Tivoli Audio Setup应用程序。该应用可在Google Play和Apple应用商店免费获取。
2. 授予Wi-Fi、蓝牙、附近设备及使用期间定位权限。
3. 确保您的智能手机/平板电脑连接至与Model One Digital with Google Cast设备相同的网络。
4. 若尚未开启，请启动手机蓝牙功能。此操作可确保Wi-Fi信息稳定传输至音箱。
5. 短按电源旋钮开启音箱。
6. 短按电源旋钮直至屏幕显示“WiFi”，将音箱切换至Wi-Fi模式。
7. WiFi初始化完成后，屏幕将显示WiFi设置已启用模式。若扬声器未进入WiFi设置模式，请按下收音机背面的设置按钮。
8. 在智能手机/平板上打开Tivoli Audio设置应用。

9. 点击屏幕底部的“设置新设备”或“+添加”，并遵循屏幕指引操作。
10. 等待应用扫描可用音箱，选择您要设置的M1D3型号。
11. 确认您已听到提示音。
12. 在下一界面选择正确的WiFi地址并输入密码，也可修改音箱名称，随后点击“下一步”。
13. 等待设备连接无线网络并检查更新，此过程可能需要数分钟。
14. 系统将提示您激活Google Cast功能，详情请参阅“激活Google Cast”章节。
15. 您的扬声器现已支持Spotify Connect、Tidal Connect或Apple AirPlay功能。

如何使用 Apple AirPlay：

1. 将您的 iOS 设备连接至与 Model One Digital 相同的网络。
2. 在您的 iOS 设备上，打开控制中心。
3. 长按右上角的音频图标，然后点击 AirPlay。
4. 从可用 AirPlay 设备列表中选择您的 Model One Digital 并开始播放。

如需更多支持，请访问 support.apple.com

如何使用 Spotify Connect：

将您的手机、平板电脑或电脑作为 Spotify 的遥控器。访问 spotify.com/connect 了解操作方法。

Spotify 软件受第三方许可约束，许可条款详见：<https://www.spotify.com/connect/third-party-licenses>

如何使用TIDAL Connect：

1. 播放歌曲并点击“正在播放”栏。
2. 点击右上角的设备选择器。
3. 选择支持TIDAL Connect的设备。

表圈控制

通过WiFi流媒体播放任何音乐源时，边框滚轮具有以下功能：

播放/暂停：短按边框滚轮可播放或暂停音乐

下一首：向右旋转边框滚轮可跳至专辑或播放列表中的下一首曲目

上一首：向左旋转边框滚轮可跳至专辑或播放列表中的上一首曲目

辅助输入模式

您的Model One Digital可作为独立扬声器使用。只需使用3.5毫米立体声线缆，将任何线路级或耳机级音源连接至收音机背面的AUX输入接口。您可通过Model One Digital上的音量控制旋钮调节扬声器音量，也可使用音源设备的音量控制旋钮进行调节。

蓝牙模式

配对

您的Model One Digital可作为独立蓝牙音箱使用。

1. 在收音机上，单击电源/音源/音量旋钮，直至Model One Digital屏幕显示“蓝牙”。
2. 在收音机上，长按边框按钮，直至Model One Digital屏幕显示“配对已启用”。
3. 在手机或平板电脑上进入蓝牙设置界面。
4. 选择名称类似“Tivoli M1D3_XXXXXX”的设备。
5. 当收音机屏幕显示“配对成功”时，即完成设备连接。
6. 此时即可通过蓝牙播放音乐。

表圈控制

While streaming any music source over Bluetooth, the Bezel wheel does the following:

播放/暂停：单击表圈即可播放或暂停音乐

下一首曲目：要跳转至专辑或播放列表中的下一首曲目，请向右旋转表圈。

上一首曲目：要跳转至专辑或播放列表中的上一首曲目，请向左旋转表圈。

启用配对：按住表圈直至屏幕显示“配对已启用”。

FM模式

表圈控制

手动调谐：要手动调谐至更高频率的电台，请向右旋转表圈。

手动调低频率：要手动调至较低频率的电台，请向左旋转表圈。

自动扫描向上：要自动扫描至更高频率，请快速双击边框。

将电台添加至预设电台列表：按一次表圈即可将电台添加至已保存的预设电台列表。您也可通过遥控器添加预设电台：长按所需的数字预设键，等待屏幕确认提示即可。若需删除预设电台，请长按遥控器按键或表圈控制键。

设置

注：所有这些功能均可通过遥控器上的设置按钮访问。您也可同时按住边框按钮和电源/源/音量旋钮来进入设置菜单。

FM扫描强度设置

在FM模式下，按下遥控器上的设置按钮，然后使用导航箭头直至屏幕显示“FM扫描强度”。按下遥控器上的选择按钮。使用导航箭头选择所需的扫描强度，然后按下选择按钮确认。

对比

按下遥控器上的设置按钮，然后使用导航箭头键直至屏幕上显示“对比度”。按下遥控器上的选择按钮。使用导航箭头键调整至所需对比度，然后按下选择按钮确认。

自动启用时间

要让您的Model One Digital通过WiFi、FM或DAB更新时间，请设置为“启用”。选择“禁用”则需要您手动设置时间。

手动时间设置

按下遥控器上的设置按钮，使用导航箭头直至屏幕显示“手动时间设置”。按下选择按钮。使用导航箭头选择小时，按下选择按钮确认。重复此操作选择分钟、正午、日期、月份和年份。确认时选择“是”，然后按下选择按钮。

闹钟设置

按下遥控器上的设置按钮，使用导航箭头键直至屏幕显示“闹钟设置”。按下遥控器上的选择按钮。使用导航箭头键选择小时，按下选择按钮确认。重复此操作选择分钟，并选择是否启用闹钟功能。确认时选择“是”，然后按下遥控器上的选择按钮。

睡眠时间设置

按下遥控器上的设置按钮，旋转遥控器直至屏幕显示“睡眠时间设置”。按下遥控器上的选择按钮。使用导航箭头选择小时，按下选择按钮确认。重复此操作选择分钟。确认时选择“是”，然后按下选择按钮。

自动关机

此功能可让您的Model One Digital在闲置一段时间后自动关闭。按下遥控器上的设置按钮，使用导航箭头直至屏幕显示“自动关机”。按下遥控器上的选择按钮。使用导航箭头直至确认信息出现，然后按下选择按钮确认。选择“启用”将使设备在闲置一段时间后自动关闭；选择“禁用”则关闭此功能，设备将持续运行直至手动关闭。

FW版本

按下遥控器上的设置按钮，然后使用导航箭头键直至屏幕显示“固件版本”。按下选择键即可查看当前固件版本。

恢复出厂设置

执行出厂重置将使Model One Digital的所有功能恢复至默认设置。请按下遥控器上的设置按钮，随后使用导航箭头键直至屏幕显示“出厂重置”。按下遥控器上的选择按钮。使用导航箭头键直至确认提示出现，然后按下选择按钮进行确认。

其他信息

固件更新

您的Model One Digital音箱将每隔约4个月进行一次定期软件更新（首次使用产品时也可能进行更新）。当音箱连接至WiFi网络时，将自动完成更新。您无需进行任何操作！

恢复出厂设置

恢复出厂设置将使Model One Digital的所有功能恢复至默认设置。当扬声器通电后，同时按住设置键和静音键，直至屏幕显示“正在恢复出厂设置...”提示信息。松开按键后，Model One Digital将在恢复出厂设置完成后自动重启。您也可通过设置菜单执行恢复出厂设置操作。

待机模式

若您的Model One Digital设备处于通电且闲置状态，将自动进入待机模式。

正常待机：当Model One Digital未连接WiFi或未配对蓝牙时，扬声器在20分钟无音频播放后将进入正常待机状态。按下电源/音源旋钮一次即可唤醒扬声器。正常待机模式下的功耗低于0.5W。

网络待机：当Model One Digital连接WiFi和/或配对蓝牙后，若20分钟内未播放音频，扬声器将进入网络待机状态。唤醒扬声器时，请单击电源/音源旋钮，或通过控制中心、CAST菜单、Spotify Connect菜单或Tidal Connect菜单选择该扬声器。网络待机模式下的功耗低于2W。

关怀

建议使用干布清洁Model One Digital的背面、木质机柜及金属网罩。请勿接触水。

有限保修

Tivoli Audio 按照非常高的标准制造其产品，我们相信我们的产品将表现良好。因此，我们向原所有者保证我们的产品不存在材料和工艺上的制造缺陷，自原始购买之日起，在美国保修期为一年，在欧盟保修期为两年。对于法律规定最低保修条款的国家，保修期限为法定期限。在所有其他地点，保修期为一年。

本保修不适用于因安装不当、辅助设备故障、改装、未经授权的维修、运输损坏或丢失、滥用、事故、电压/电流不当、雷击或其他天灾、正常磨损、商业损坏而造成的损坏。使用或从未经授权的经销商处购买。保修服务可能需要提供购买凭证，以证明设备是在保修期内从授权经销商处购买的。如果需要维修，请不要在未先联系经销商或 Tivoli Audio 的情况下退回产品。

本保修不可转让。Tivoli Audio 不会对产品造成的时间损失、不便、产品使用损失或损坏进行赔偿。

本保修赋予您特定的法律权利，并且您可能还拥有因州而异的其他权利。某些州不允许限制默示保证或排除间接损害，因此，这些限制可能不适用于您。

如需了解更多保修信息，请访问我们的网站 www.tivoliaudio.com

有关欧洲保修信息，请访问我们的网站 www.tivoliaudio.eu

Manufactured by

Tivoli Audio, Inc.
28 Atlantic Ave, Suite 133
Boston, MA 02110 USA

European Importer

Tivoli Audio, Cooperatief
Mariaplaats 3
3511 LH Utrecht
The Netherlands

www.tivoliaudio.com

 [tivoliaudio](https://www.facebook.com/tivoliaudio)

 [@tivoliaudio](https://www.instagram.com/tivoliaudio)