

MAIN FEATURES

- FAMILY FEELING :**

A visible reminder of the Olympica Nova collection is the leather that embellishes the shape around the tweeter.

- MAGNETIC GRILLES :**

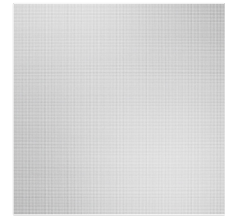
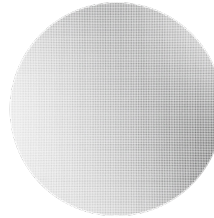
The PC-682 is equipped with a magnetic edgeless round metal grille, ready to be painted. The square metal grille is optionally available.

- QUICK INSTALLATION :**

Thanks to the swing out dogs fixing system, all Palladio speakers can be secured quickly and effectively to plasterboard.

- PRE-MOUNT KIT :**

If the PC-682 must be installed in a new construction, a pre-mount kit is provided as an optional accessory.



magnetic round metal grille

magnetic square metal grille



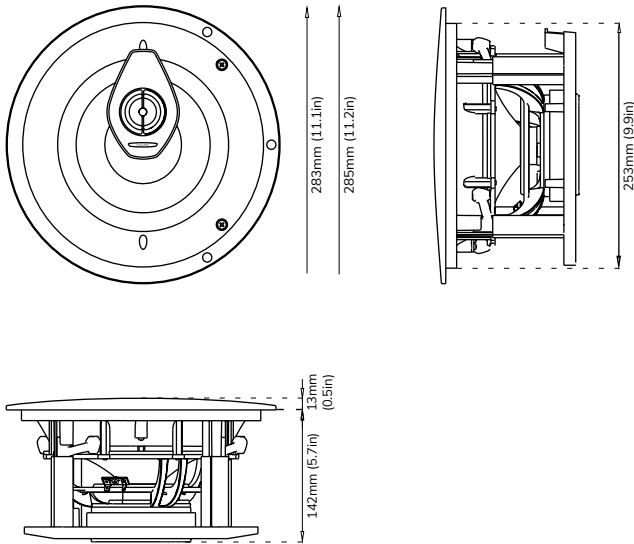
TWEETER :
DAD™ (Damped Apex Dome) silk dome tweeter.

MID-WOOFER :
The custom diaphragm is made in natural fiber and cellulose pulp, according to the most natural sound.

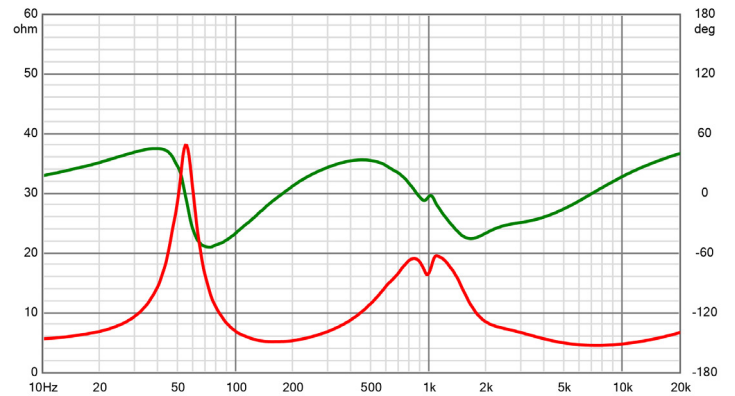
PARACROSS TOPOLOGY™
The anti-resonant design of the x-over network features the Paracross Topology™ circuitry enriched with custom made capacitors branded by Sonus faber.

LOUDSPEAKER SYSTEM	2-way in ceiling system. Infinite baffle.
TWEETER - DAD™ DRIVER	29 mm / 1.1 in
MIDWOOFER	200 mm / 8 in
CROSSOVER FREQUENCY - PARACROSS TOPOLOGY™	2,500 Hz
FREQUENCY RESPONSE	45 - 25,000 Hz (-6dB)
SENSITIVITY (2.83 Vrms @ 1m)	90 dB SPL
NOMINAL IMPEDANCE	4 Ω
SUGGESTED AMPLIFIER POWER OUTPUT (*)	40 – 200 W Undistorted signal
FRAME OUTER	Ø 283 mm / 11.1 in
CUT OUT	Ø 257 mm / 10.1 in
DEPTH BEHIND SURFACE	142 mm / 5.7 in
PROTRUSION	13 mm / 0.51 in
NET WEIGHT	4,36 kg / 9.6 lb
INCLUDED IN THE BOX	Bezel-Free round magnetic grille
ADDITIONAL FITTINGS	Pre-mount kit 0,34 kg / 0.74 lb
	Bezel-Free square magnetic grille 0,44 kg / 0.97 lb 287x287 mm / 11.3 x11.3 in

(*) See instruction's manual for more information



IMPEDANCE
GENERATOR LOAD IMPEDANCE
GENERATOR LOAD PHASE



AMPLIFIER OUTPUT POWER REQUIREMENTS VS. LISTENING DISTANCE
(PER SINGLE CHANNEL) *

	LISTENING DISTANCE [m]						
	1.50	1.75	2.00	2.50	3.00	3.50	4.00
W CONTINUOUS	1.4	1.9	2.5	4	5.7	7.8	10
W PEAK	2.9	3.9	5.1	7.9	11.4	15.5	20

* [FOR A DIRECT SPL=85 dB; 1 kHz SINE TONE]

	LISTENING DISTANCE [m]						
	1.50	1.75	2.00	2.50	3.00	3.50	4.00
W CONTINUOUS	11.3	15.4	20.1	32	45	62	80
W PEAK	45	60	80	125	180	246	320

* [FOR A DIRECT SPL=85 dB; IEC TEST SIGNAL SIMULATING A NORMAL PROGRAM]

The huge difference between the values depends on the signals that have been considered in the two examples. A simple sine tone is the most elementary one while the IEC signal is quite complex. In a real world, while the first could conveniently represent the power needs for speech, the second gives an idea of the power needs for wide frequency range, large headroom music.

HORIZONTAL DISPERSION [@1m WITH 2.83 VRMS]

--- 45° ; ---0°

VERTICAL DISPERSION [@1m WITH 2.83 VRMS]

--- 45° ; ---0°

