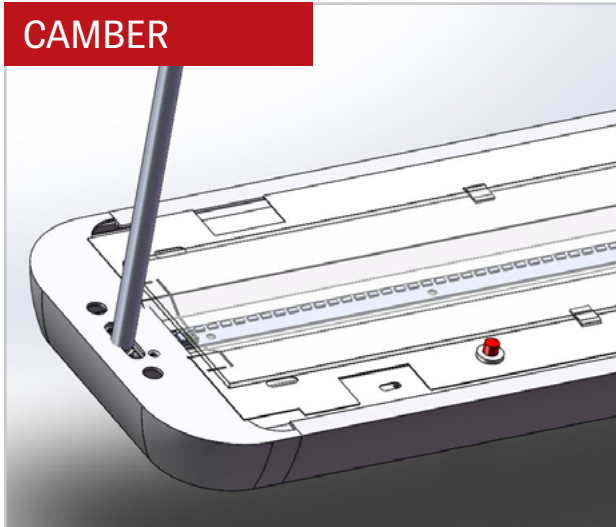


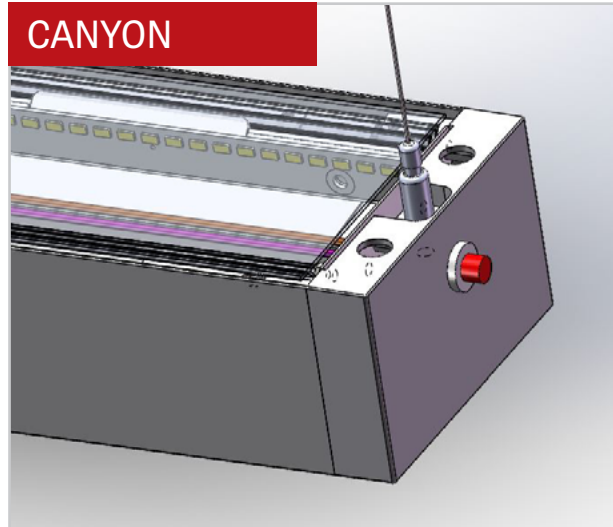
LED

EMERGENCY BATTERY PACK - TESTING BUTTON LOCATION

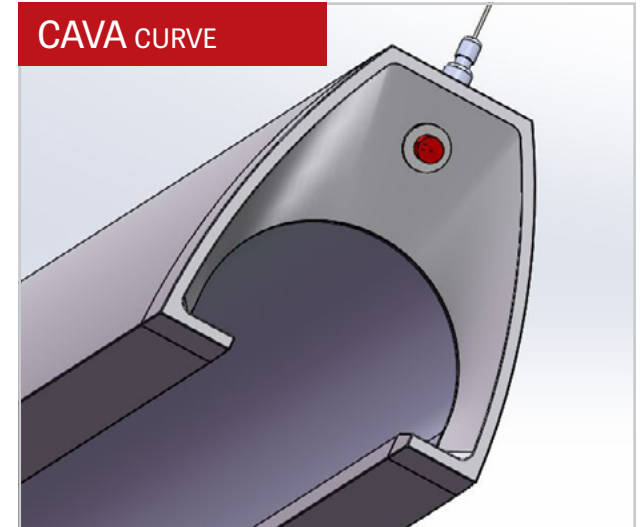
LUMENWERX



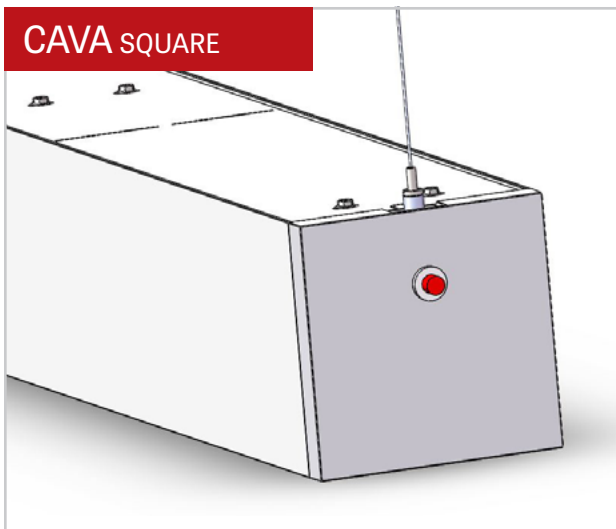
On top (near the end) (min 4' fixture).



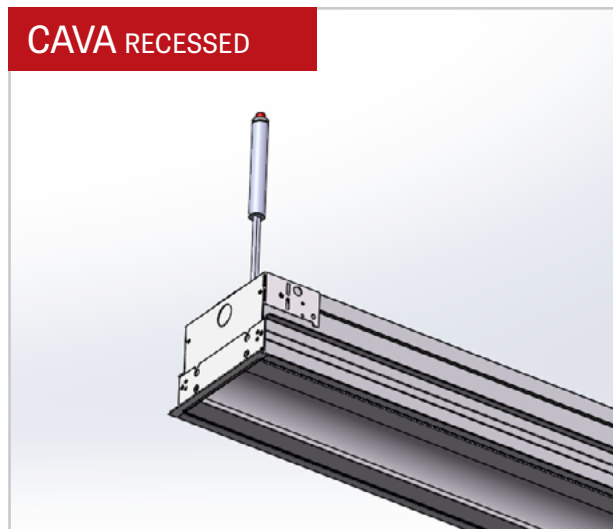
On the end cap (min 4' fixture).



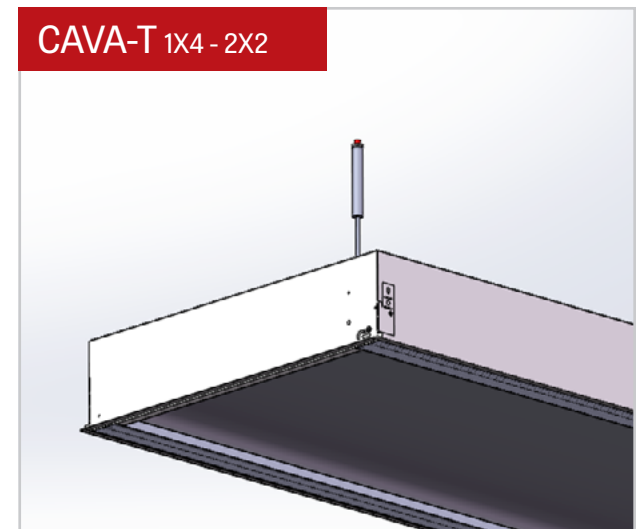
On the end cap (min 4' fixture).



On the end cap (min 4' fixture).



Wiring to exterior of fixture.

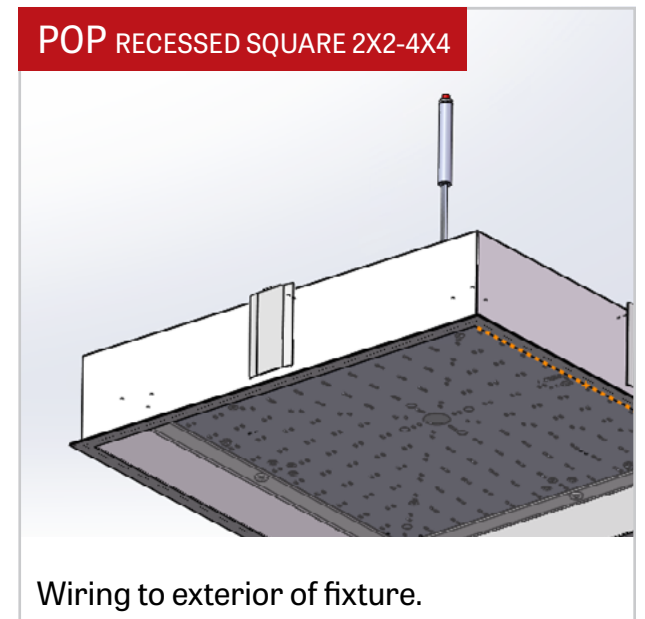
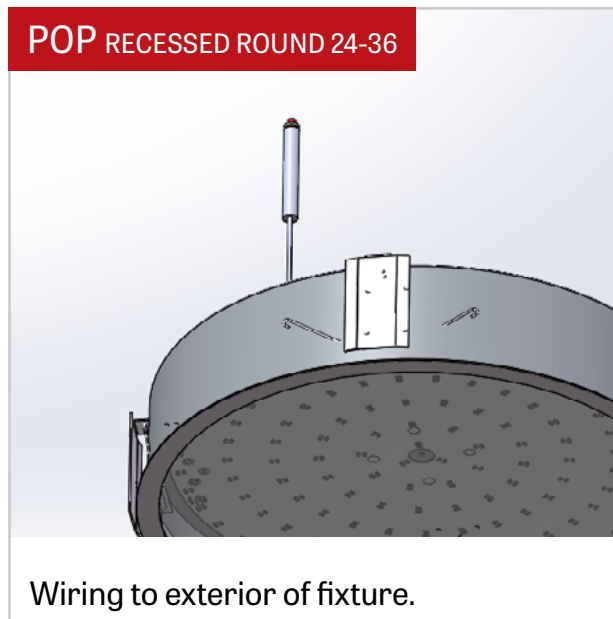
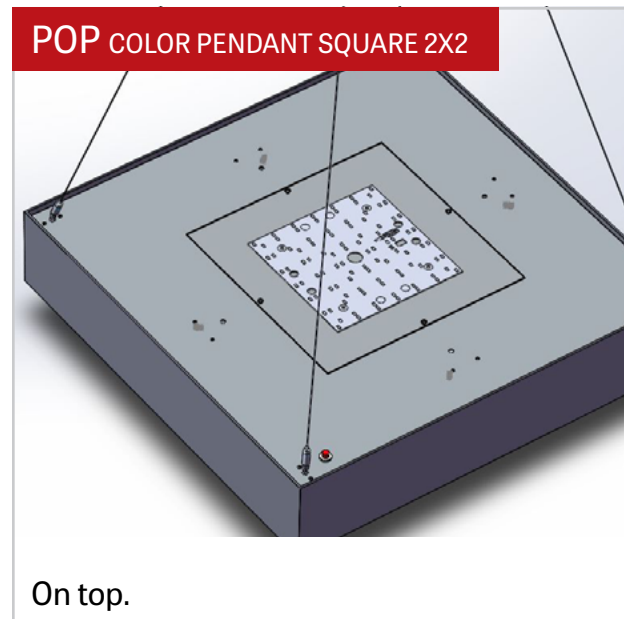
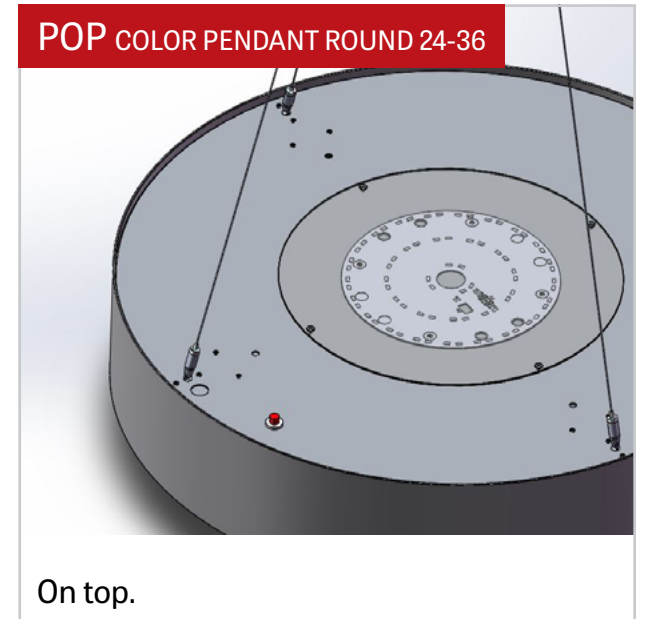
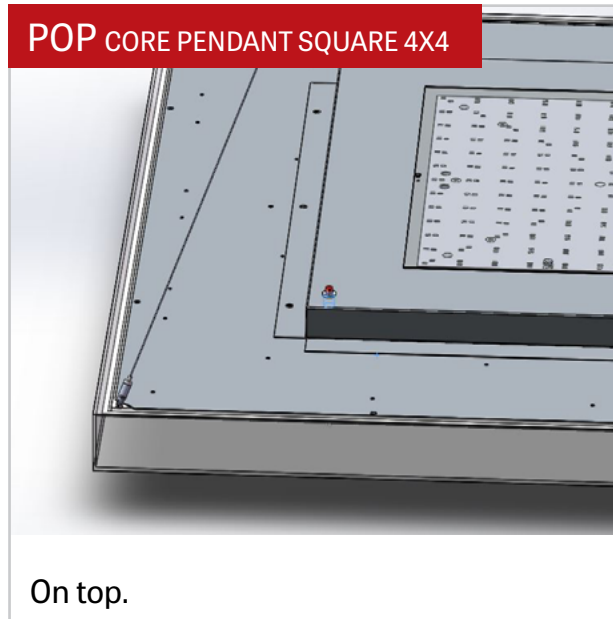
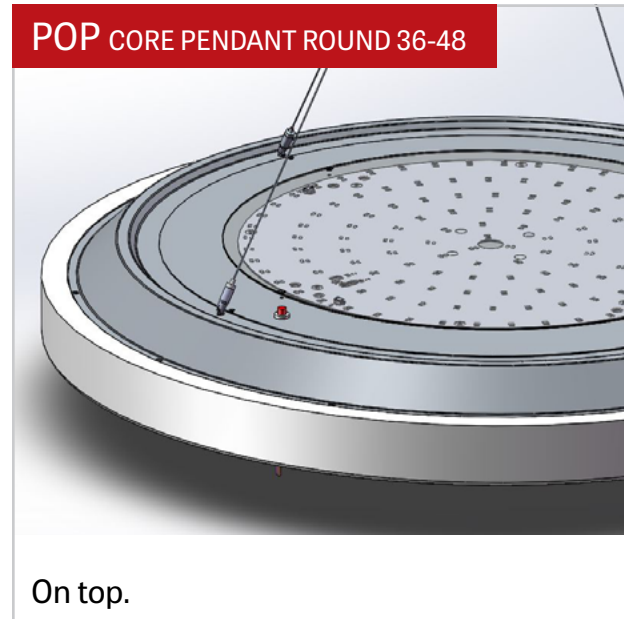


Wiring to exterior of fixture.

LED

EMERGENCY BATTERY PACK - TESTING BUTTON LOCATION

LUMENWERX

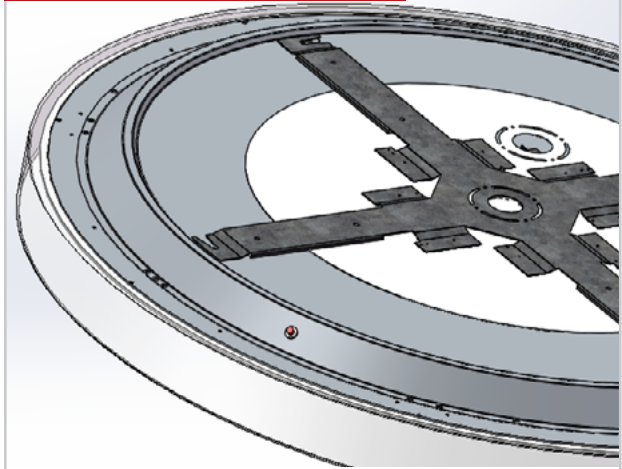


LED

EMERGENCY BATTERY PACK - TESTING BUTTON LOCATION

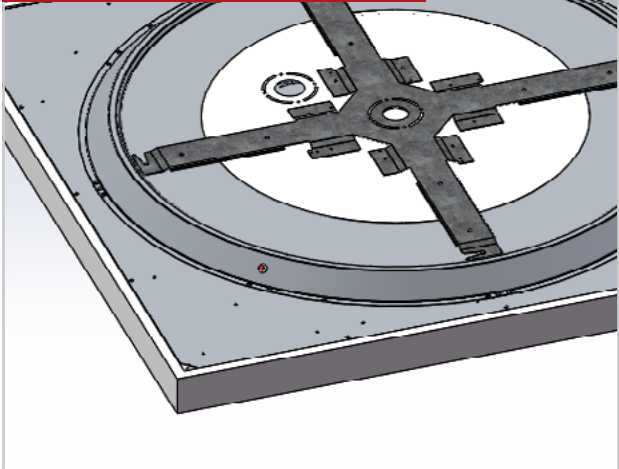
LUMENWERX

POP CORE ROUND SURFACE



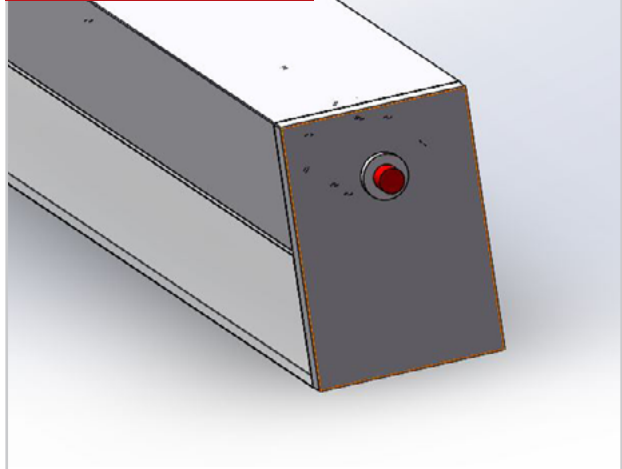
On the metal ring.

POP CORE SQUARE SURFACE



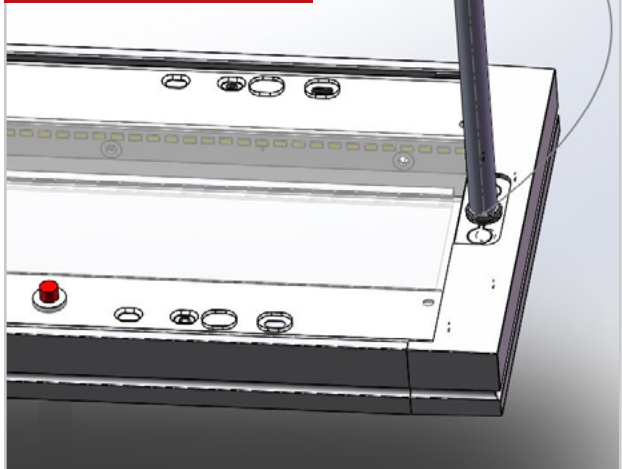
On the metal ring.

QUAD



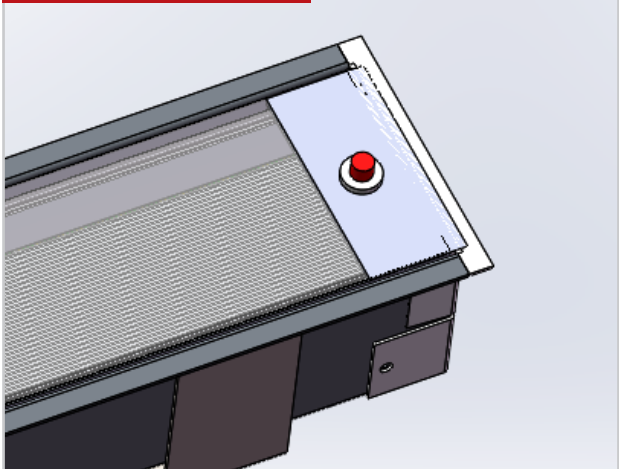
On the end cap (min 4' fixture).

REVEN



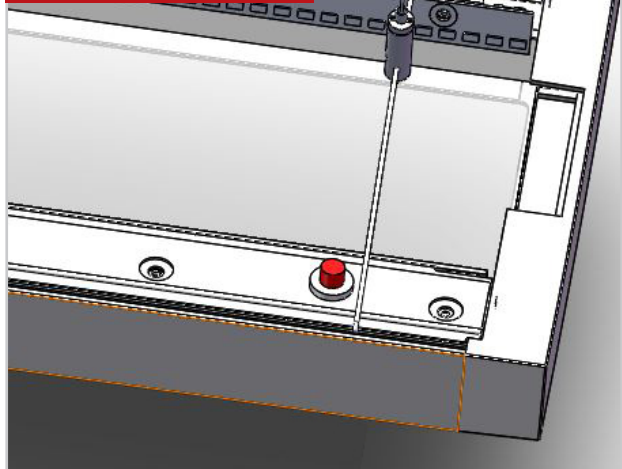
On top (near the end) (min 4' fixture).

SHALO



On a blank.

SMILE

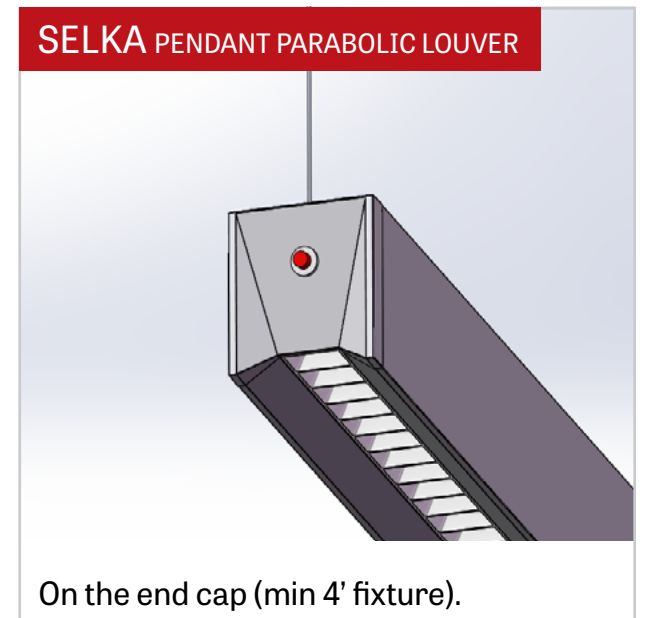
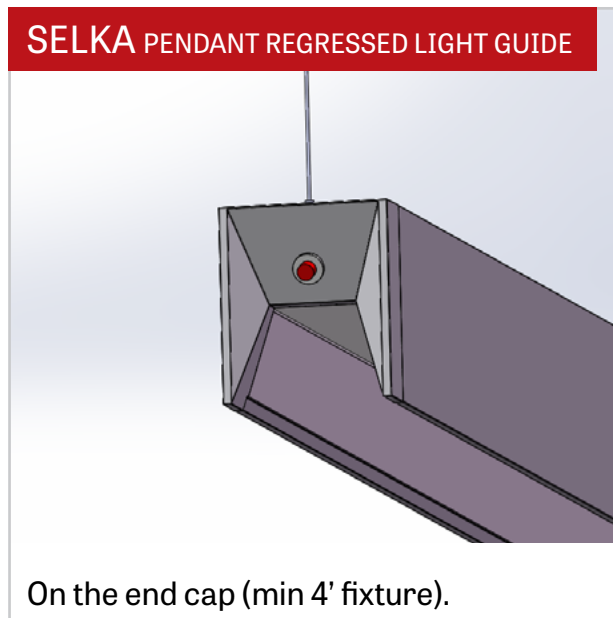
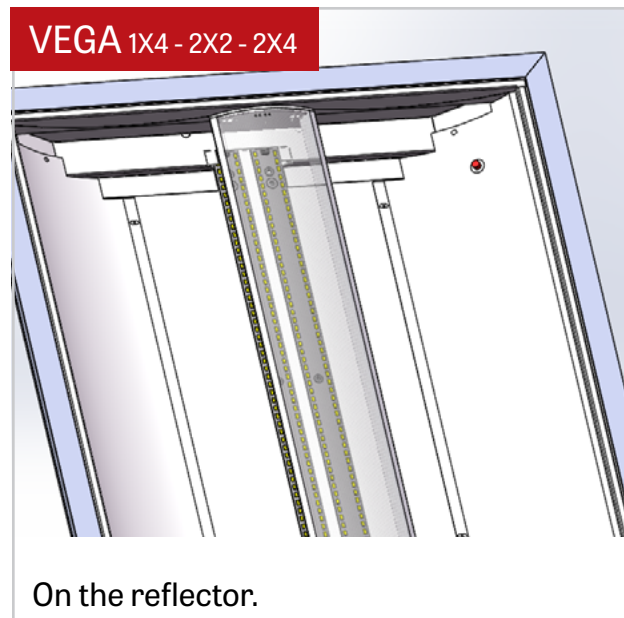
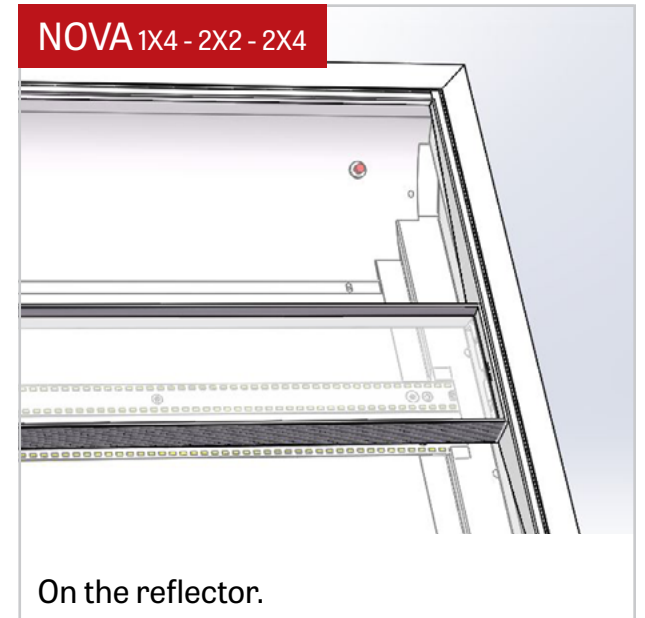
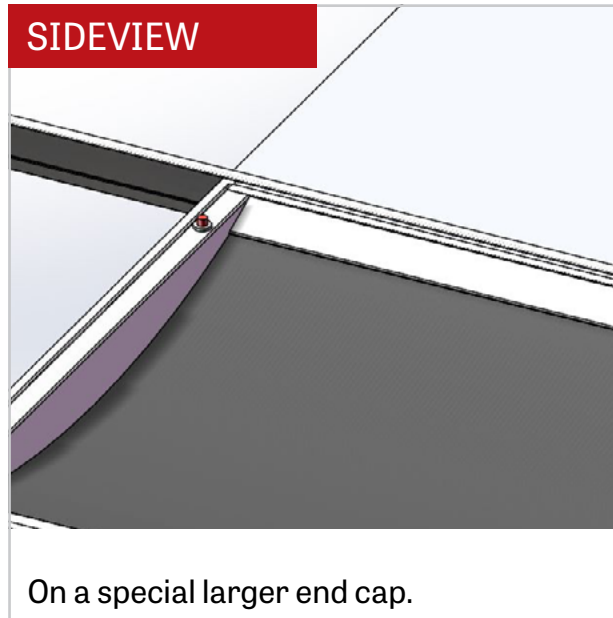


On top (near the end) (min 4' fixture).

LED

EMERGENCY BATTERY PACK - TESTING BUTTON LOCATION

LUMENWERX

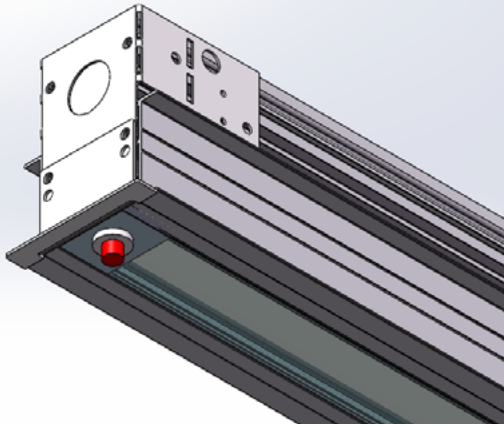


LED

EMERGENCY BATTERY PACK - TESTING BUTTON LOCATION

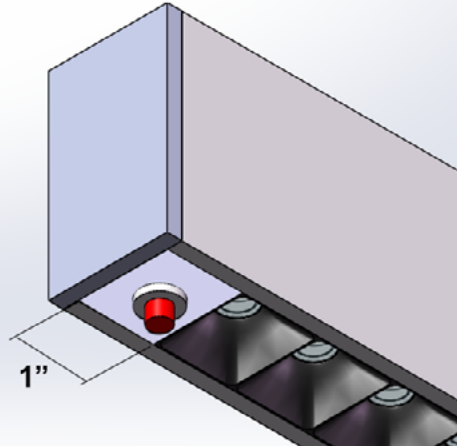
LUMENWERX

SQUERO RECESSED



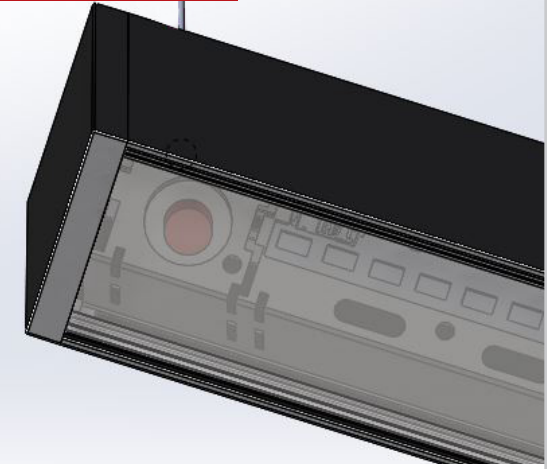
On a blank.

SQUERO PENDANT



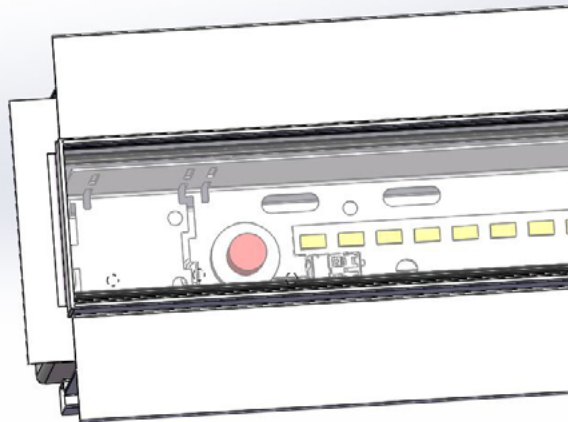
On a blank.

VIA 1.5 PENDANT



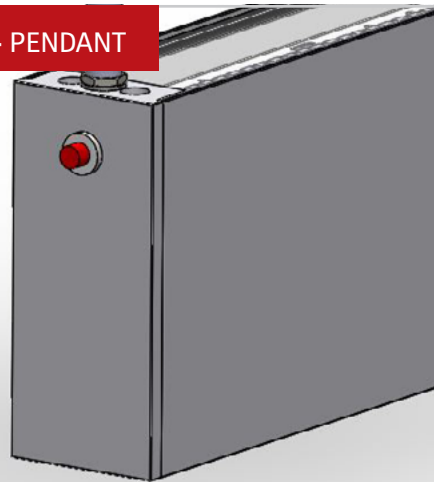
On the reflector (min 4' fixture).

VIA 1.5 RECESSED



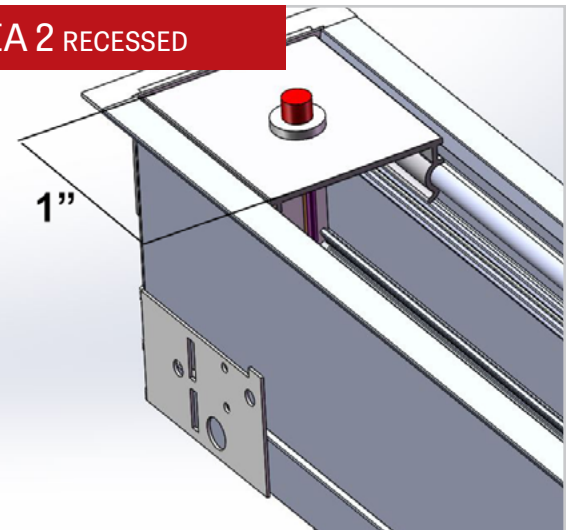
On the reflector (min 4' fixture).

VIA 2-3-4 PENDANT



On the end cap (min 4' fixture).

VIA 2 RECESSED

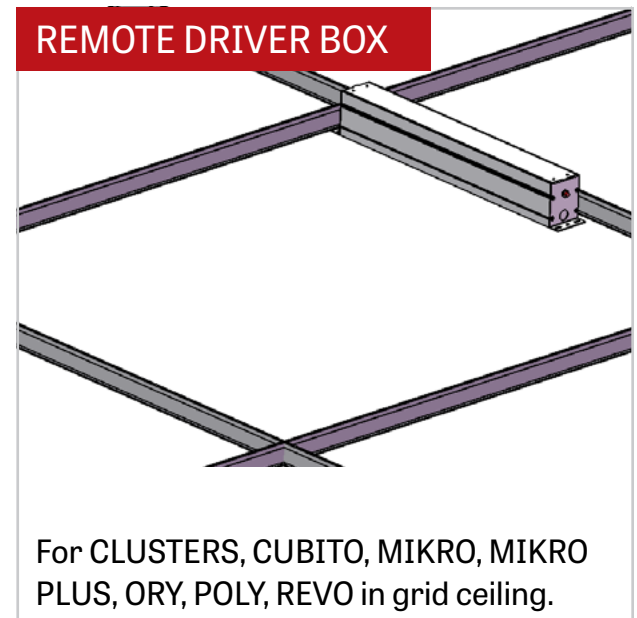
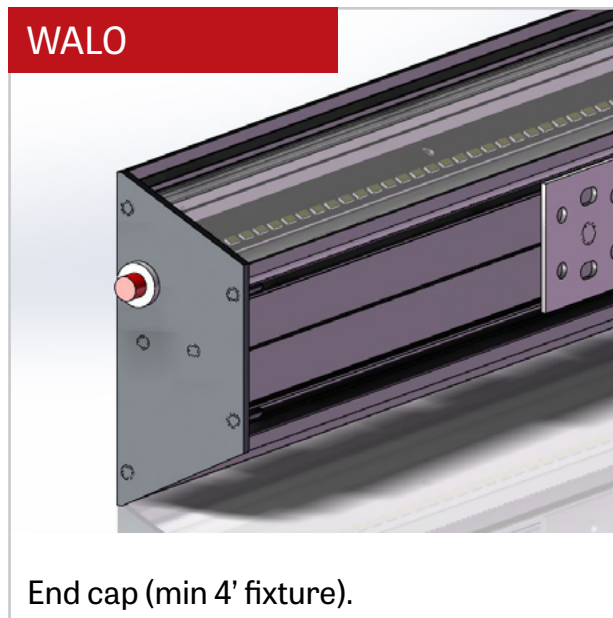
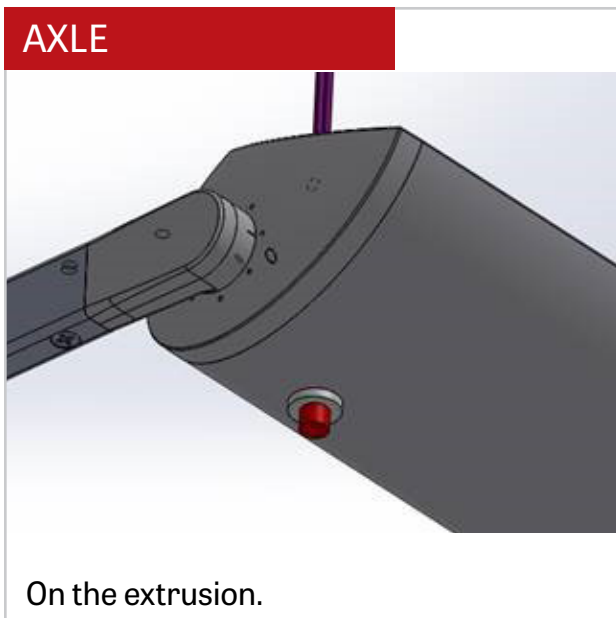
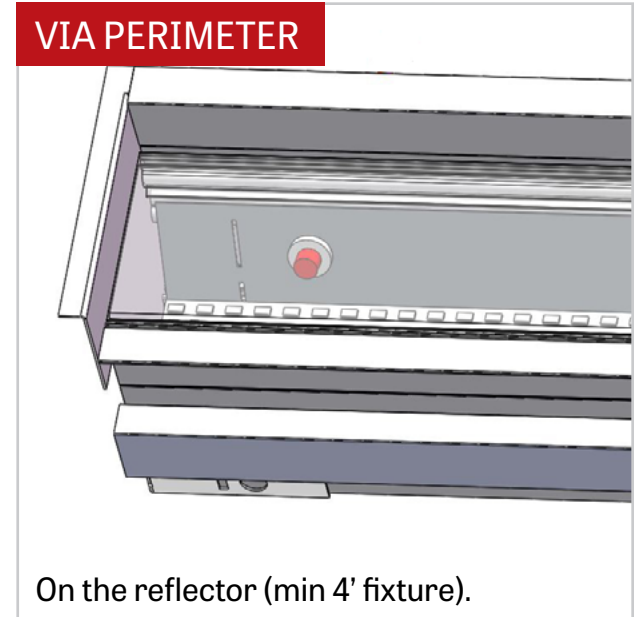
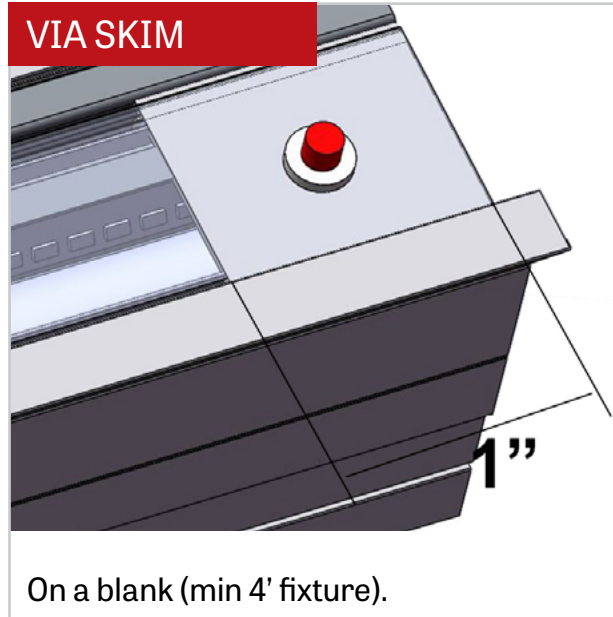
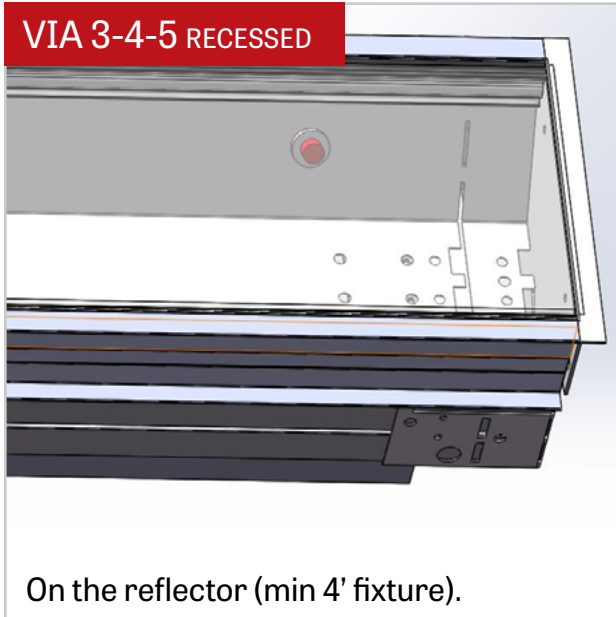


On a blank (min 4' fixture).

LED

EMERGENCY BATTERY PACK - TESTING BUTTON LOCATION

LUMENWERX



LED

EMERGENCY BATTERY PACK - TESTING BUTTON LOCATION

LUMENWERX

