

# VIA PERIMETER 3-5

## DRIVER REPLACEMENT INSTRUCTION

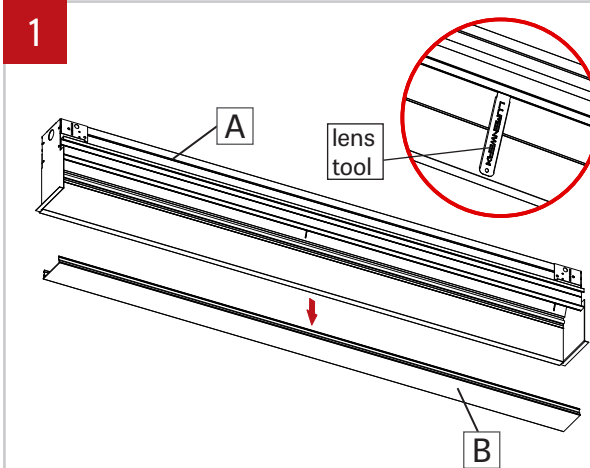
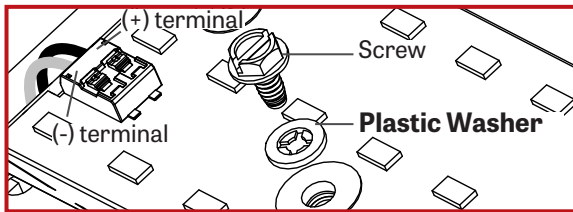
**IMPORTANT:** Installation instructions are shown with Via Perimeter 3 and applies to all Via Perimeter sizes

**NOTE:** Wire dimming conductors as Class 1

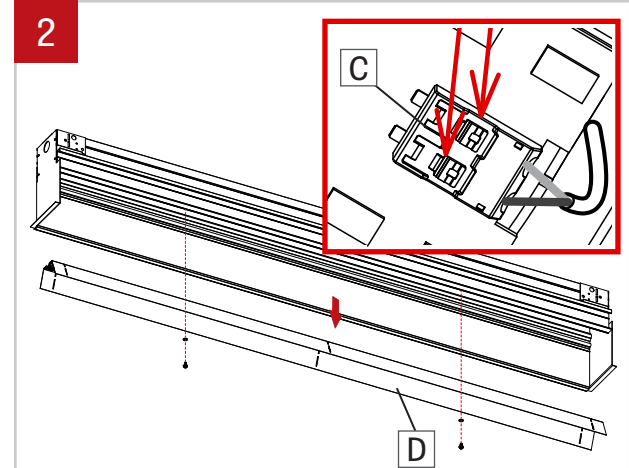


Reflector must be reinstalled with the screw and plastic washer that was originally supplied. If not, it can result in an electrical failure

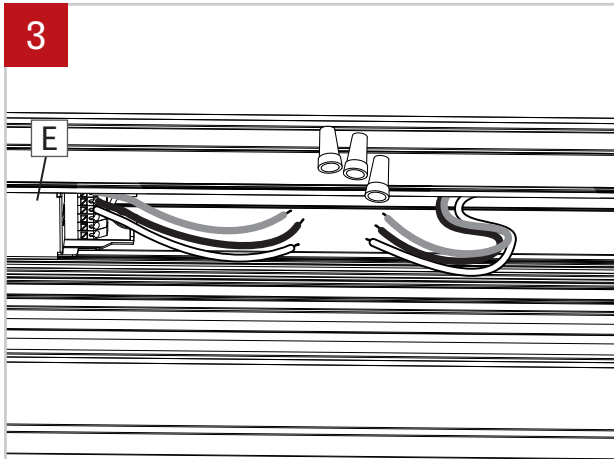
Make sure to reconnect the wires to the LED boards correctly



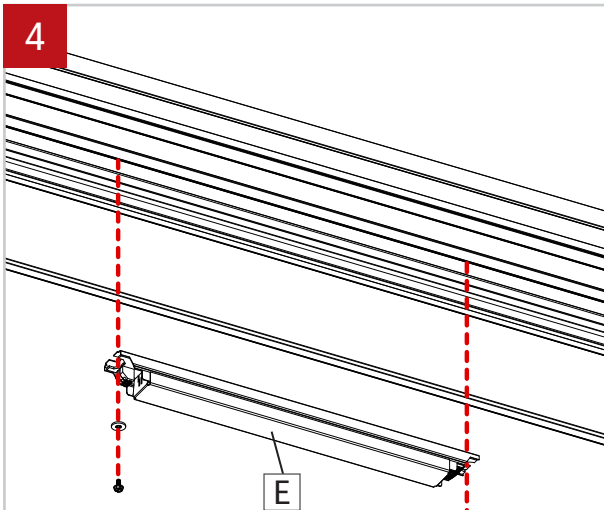
Make sure the power to the fixture (A) is turned off. Remove the lens (B) with the included lens tool.



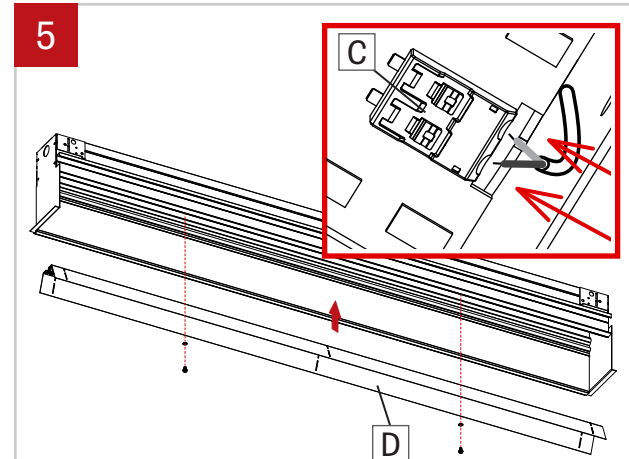
Disconnect LED molex connector (C) by taking a pointed object and pressing on the two tabs on the top. Unscrew the cartridge (D) and place it in a safe place.



Disconnect wires from the driver (E).

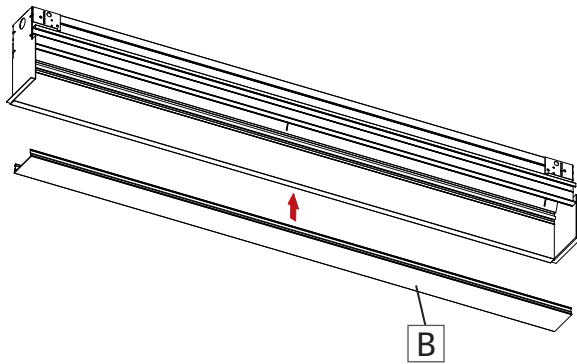


Unscrew the driver (E) from the fixture. Replace the driver and make connection with wire nuts.



Reconnect the LED connector (C) to the cartridge (D). Reinstall the cartridge (D) by **using a screw with plastic washer. Do not apply too much pressure.**

6



Reinstall the lens (B) back in place.