

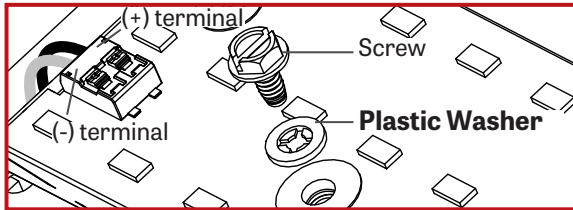
**IMPORTANT:** Installation instructions are shown with Via Perimeter 3 and applies to all Via Perimeter sizes

**NOTE:** Wire dimming conductors as Class 1

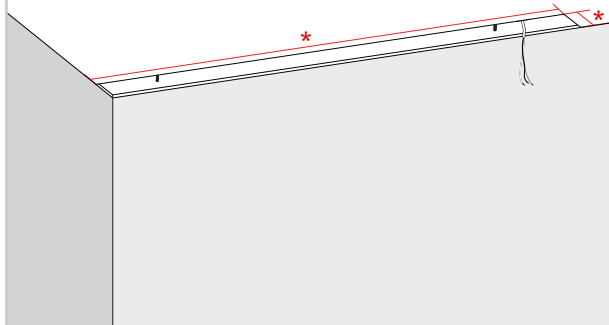


Reflector must be reinstalled with the screw and plastic washer that was originally supplied. If not, it can result in an electrical failure

Make sure to reconnect the wires to the LED boards correctly

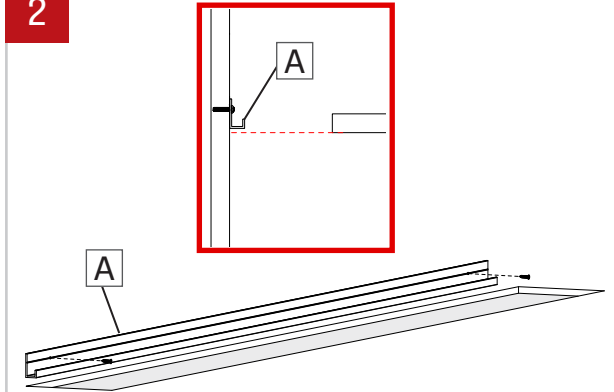


### 1 SINGLE FIXTURE



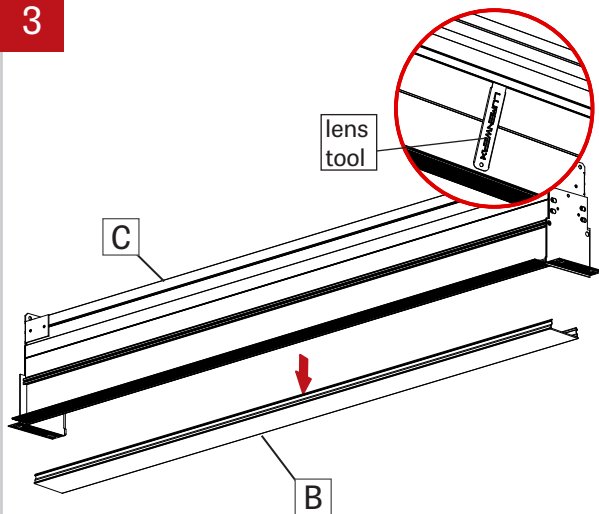
Prepare the area and mark the mounting point location where the fixture is going to be installed according to the dimensions [\*] in the client drawings.

### 2



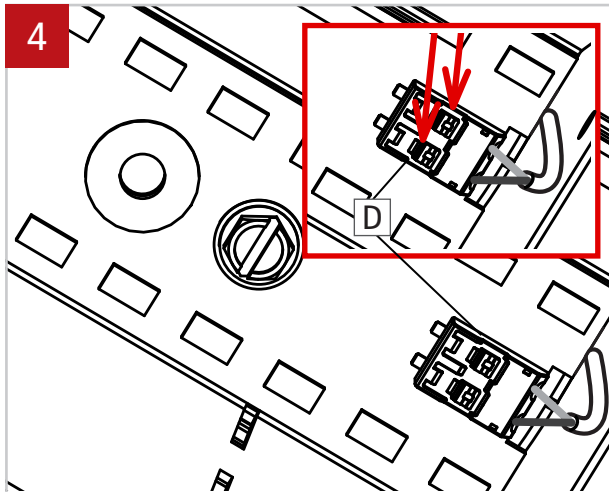
Locate the J-Bar (A) position using provided client drawing. Install wall bracket to wall. Align with structural stud or use drywall anchors when needed. For sleeve adjustment, please refer to end-sleeve installation sheet.

### 3



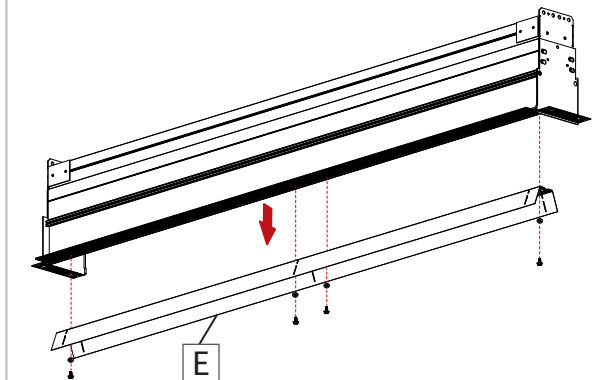
Remove lens (B) from the fixture (C).

### 4

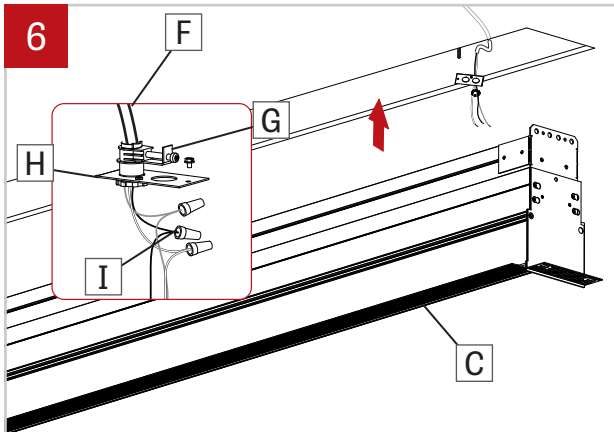


Disconnect LED moxex connector (D) by taking a pointed object and pressing on the two tabs on the top.

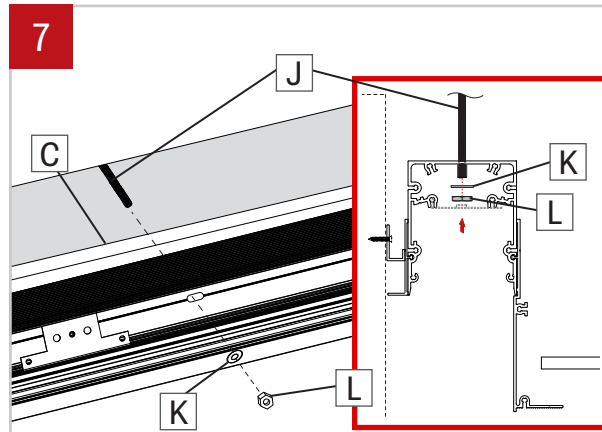
### 5



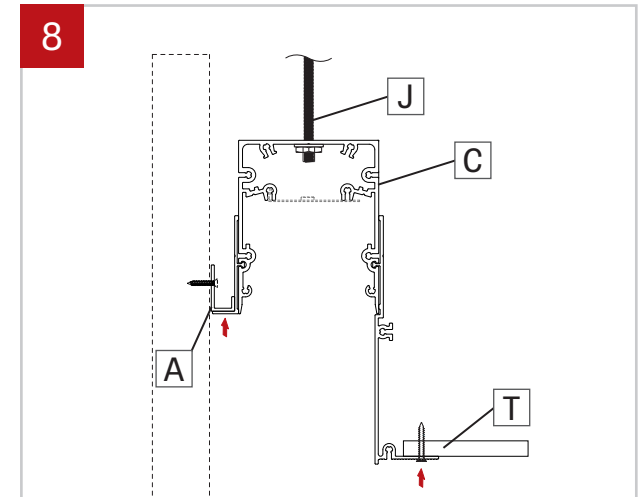
Unscrew and remove the cartridge (E) from the fixture.



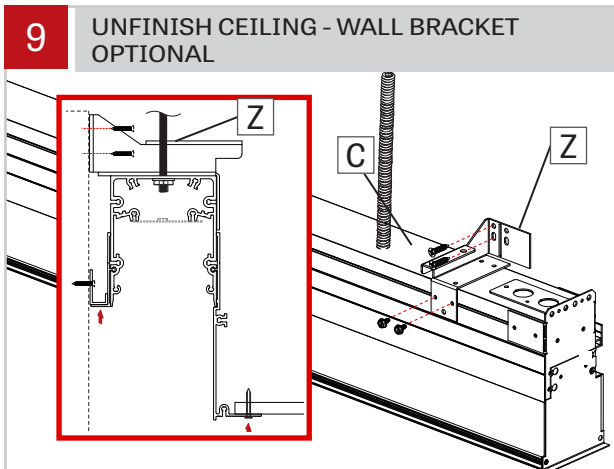
Install power cable (F) (by other) through the BX connector (G) (by other) and install onto the power plate (H) provided. Make electrical connections between power cable (F) and fixture cables using electrical marettes (I). Reinstall the power plate (H) to the fixture (C).



Insert fixture (C) into pre-cut hole in drywall, aligning threaded rods (J) with holes in top of fixture (C). Put washers (K) and tighten nuts (L) to secure the fixture (C).

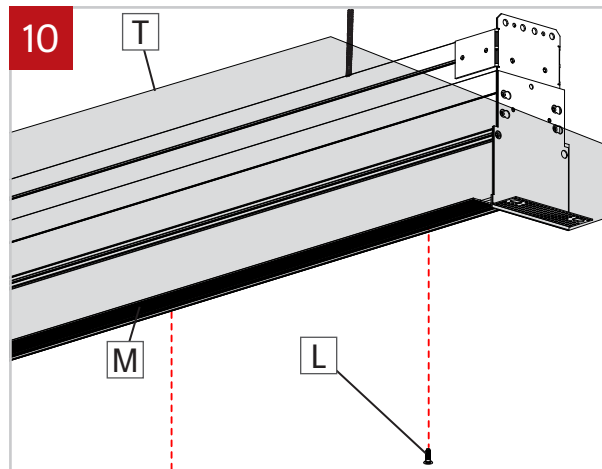


Adjust the fixture (C) to the threaded rods (J). On wall side, the fixture (C) must touch the J-Bar (A). On ceiling side, flange need to touch the tile (T).

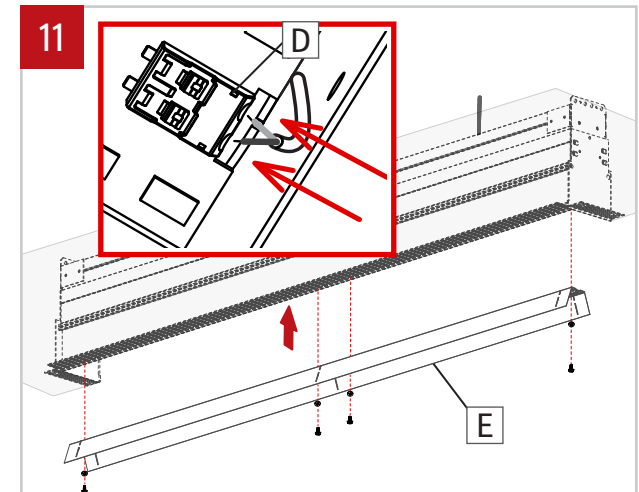


### 9 UNFINISH CEILING - WALL BRACKET OPTIONAL

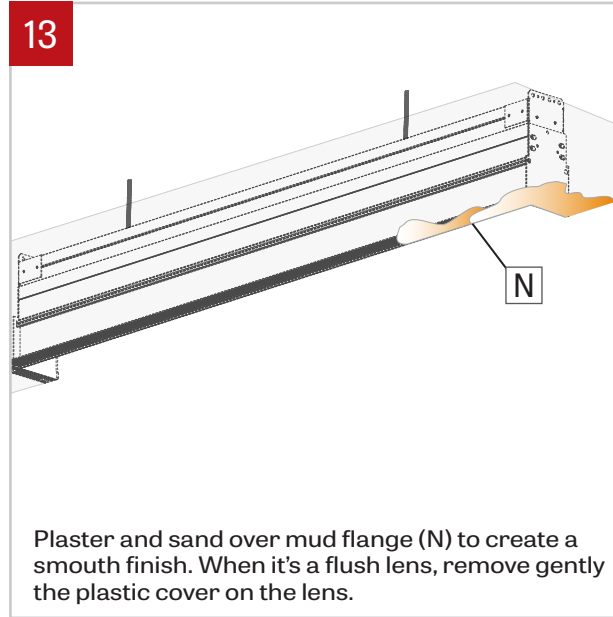
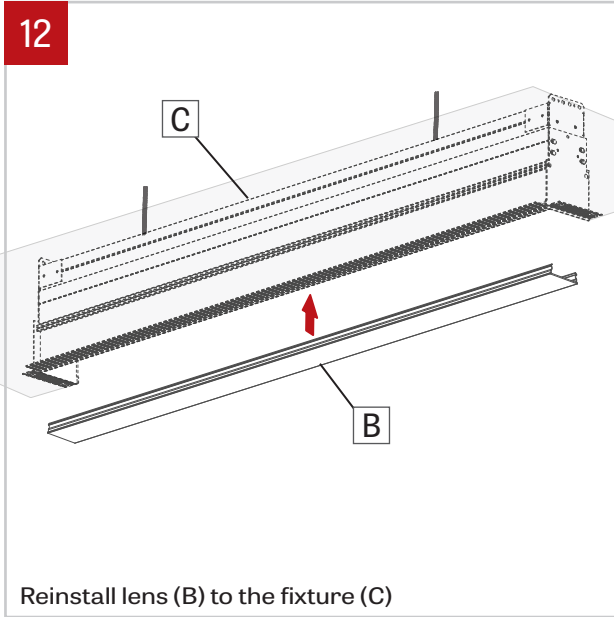
For extra support, use the supply wall bracket (Z) to fix the fixture (C) to the wall.  
1. Screw the bracket (Z) to the fixture (C).  
2. Screw the fixture (C) with the bracket (Z) to the wall.



Finish the ceiling. Secure the fixture to the ceiling (T) by fastening drywall screws (L) through flanges (M) and ceiling (T).

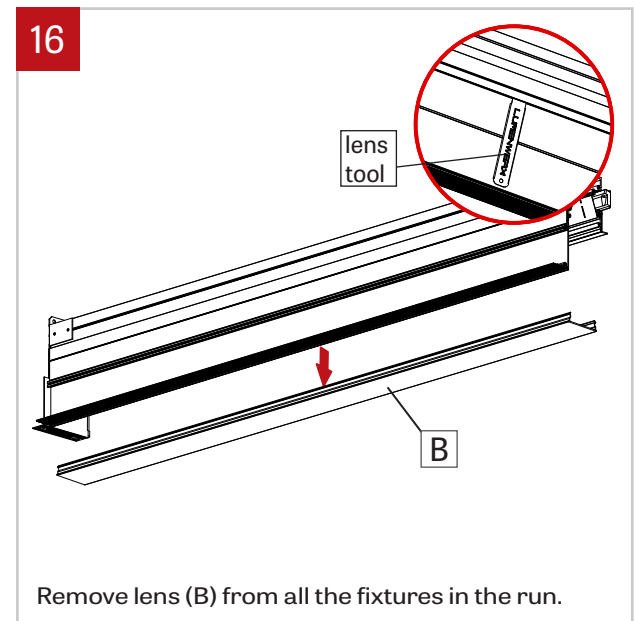
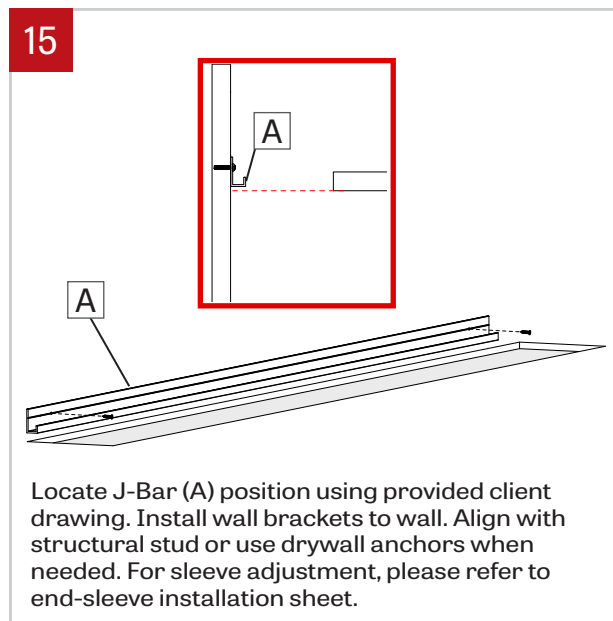
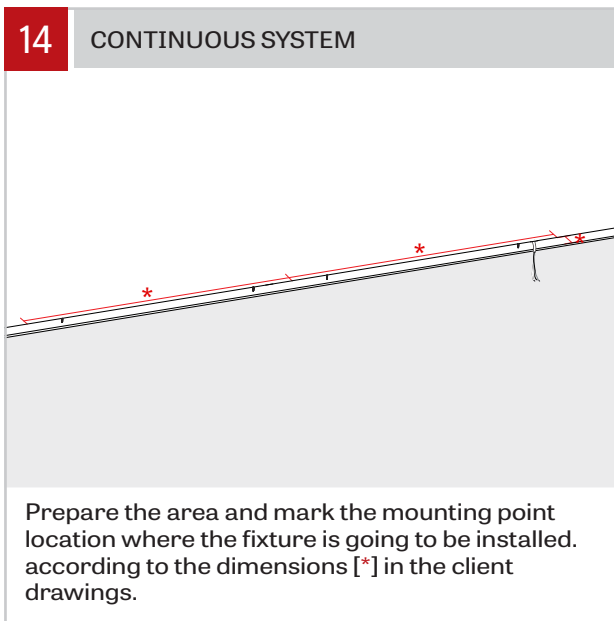


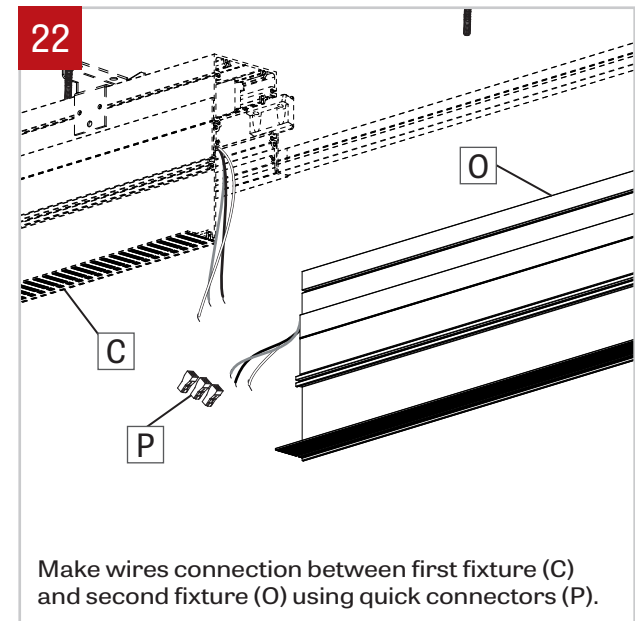
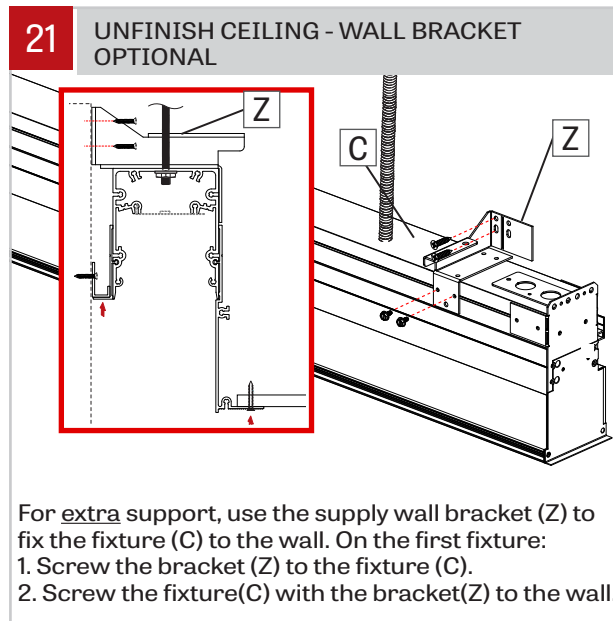
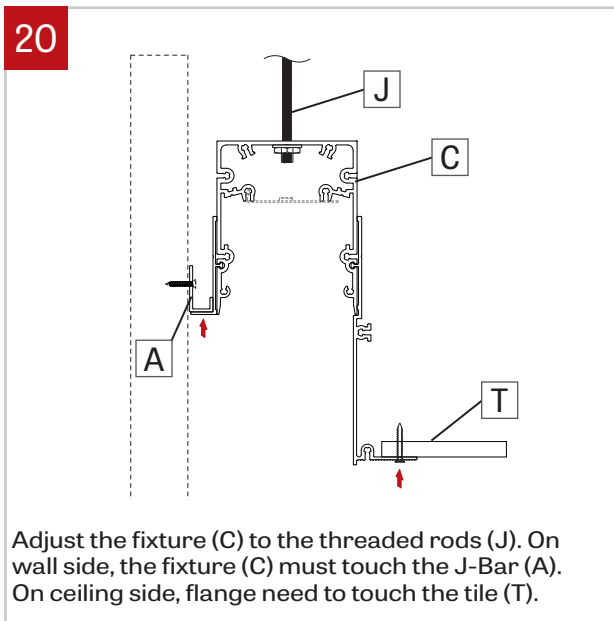
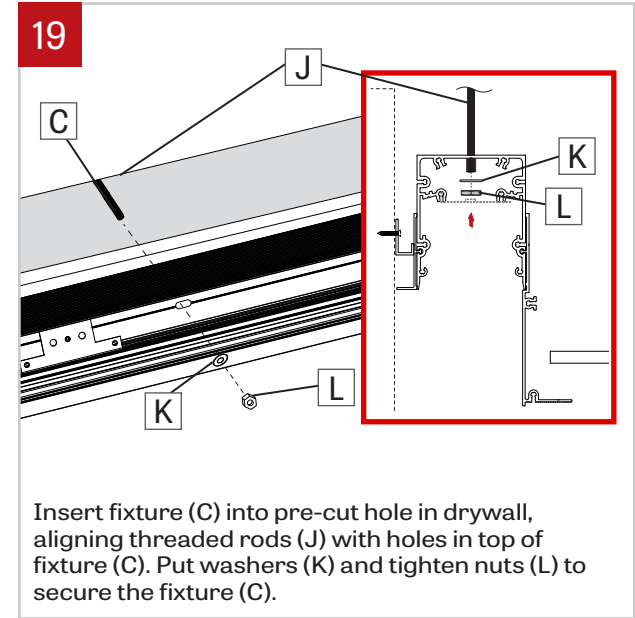
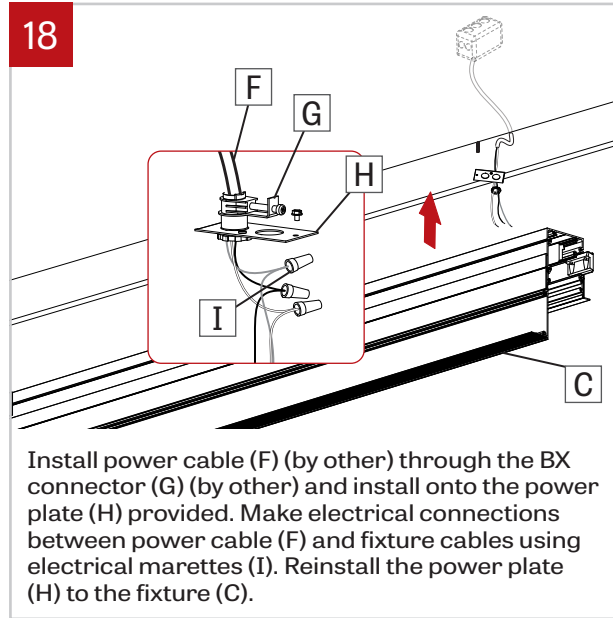
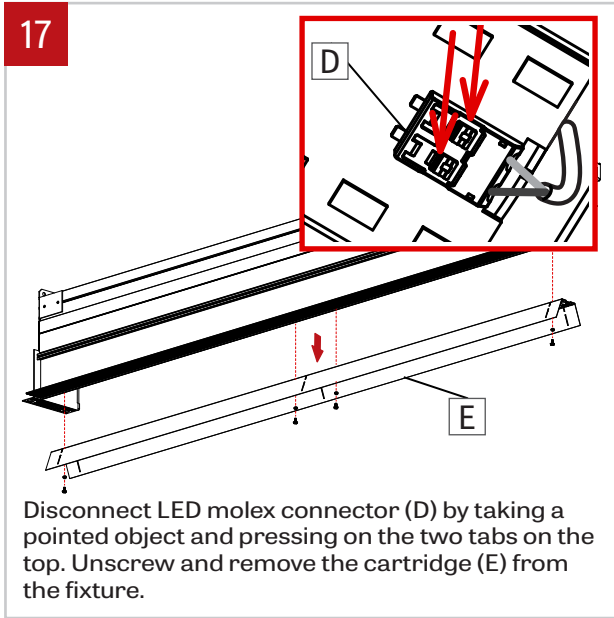
Reconnect the LED connector (D) to the cartridge (E). Reinstall the cartridge (E) by **using a screw with plastic washer. Do not apply too much pressure.**

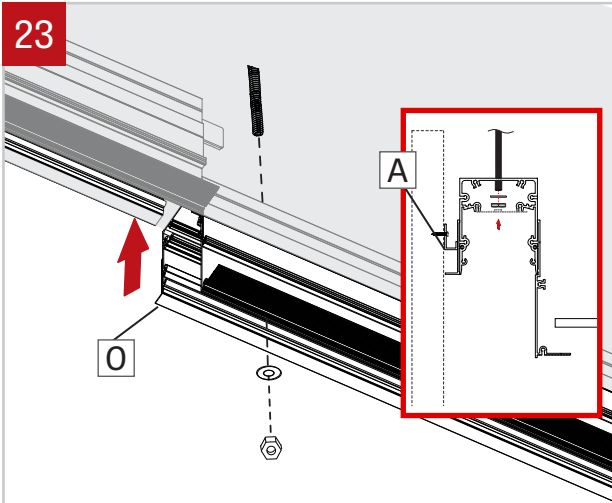


Reflector must be reinstalled with the screw and plastic washer that was originally supplied. If not, it can result in an electrical failure

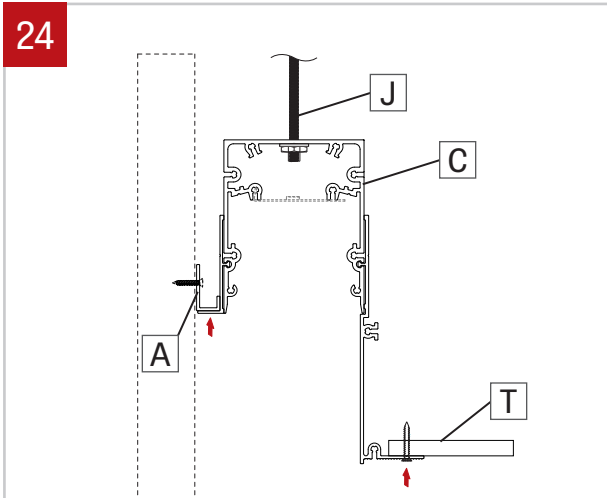
Make sure to reconnect the wires to the LED boards correctly



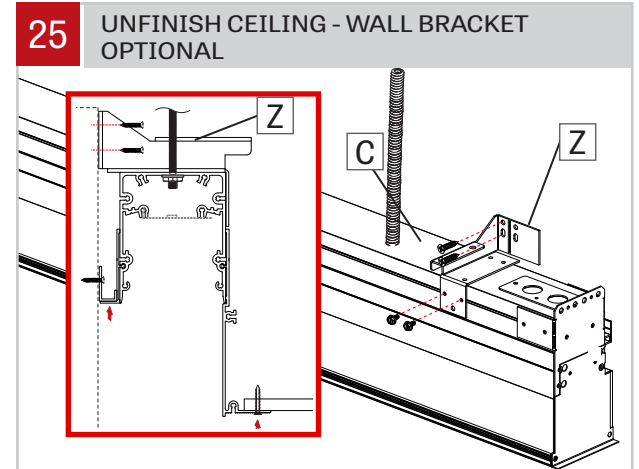




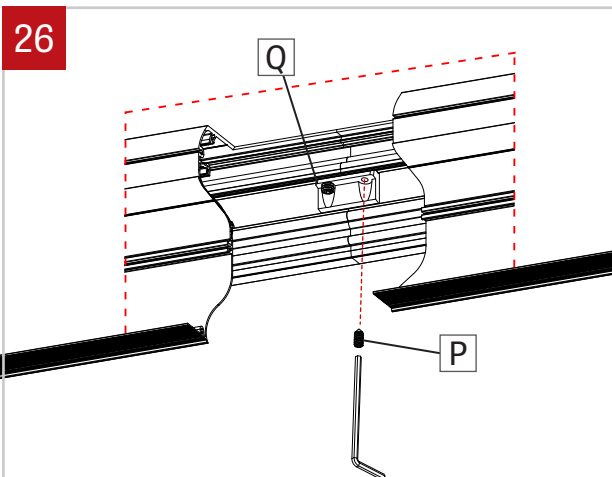
23 Insert second fixture (O) into J-Bar (A), adjustable of 1/4".



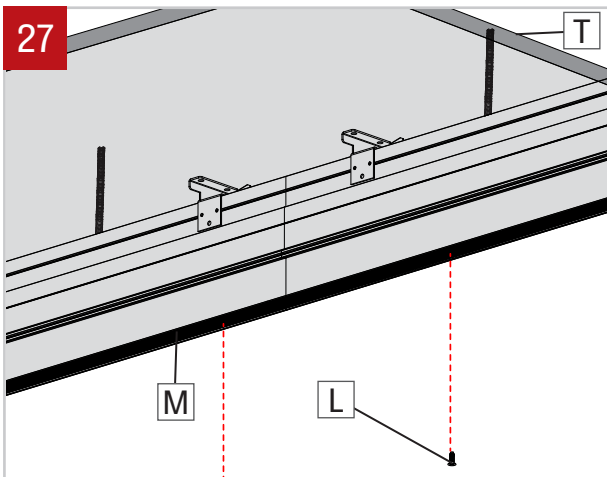
24 Adjust the fixture (C) to the threaded rods (J). On wall side, the fixture (C) must touch the J-Bar (A). On ceiling side, flange need to touch the tile (T).



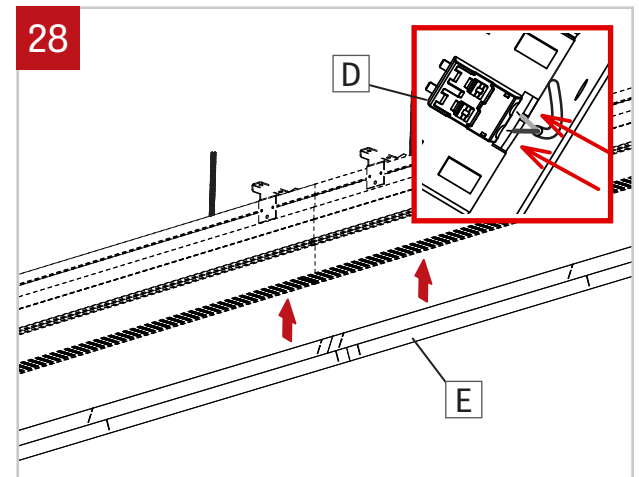
25 UNFINISH CEILING - WALL BRACKET OPTIONAL  
For extra support, use the supply wall bracket (Z) to fix the fixture (C) to the wall. On the second fixture:  
1. Screw the bracket (Z) to the fixture (C).  
2. Screw the fixture(C) with the bracket(Z) to the wall.



26 Tighten the set screws (P) on both joining brackets (Q) using Allen Key to secure the fixtures together.



27 Finish the ceiling. Secure the fixture to the ceiling (T) by fastening drywall screws (L) through flanges (M) and ceiling (T).



28 Reconnect the LED connector (D) to the cartridge (E). Reinstall the cartridge (E) by **using a screw with plastic washer. Do not apply too much pressure.**

