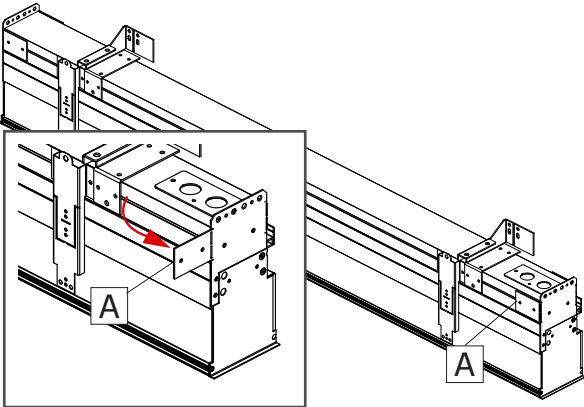


VIA PERIMETER 3-5

GRID CEILING - INSTALLATION INSTRUCTIONS

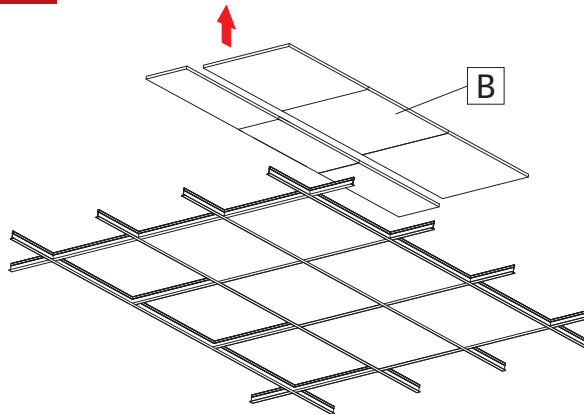
IMPORTANT: Installation instructions are shown with Via Perimeter 3 and applies to all Via Perimeter sizes **NOTE:** Wire dimming conductors as Class 1

1 SINGLE FIXTURE



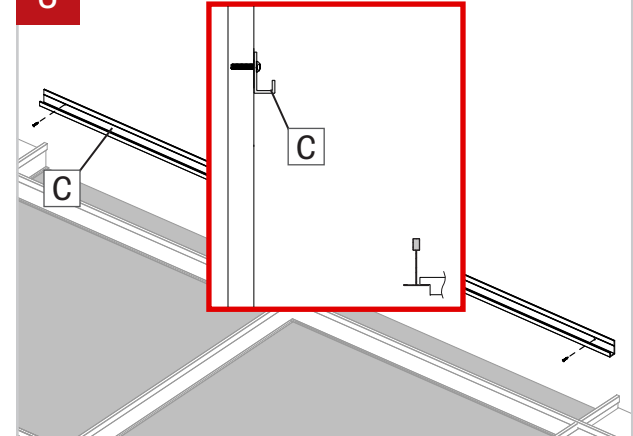
Bend the tabs (A) on the end of the fixture. For a continuous system, leave tabs close. For sleeve adjustment, please refer to end-sleeve installation sheet.

2



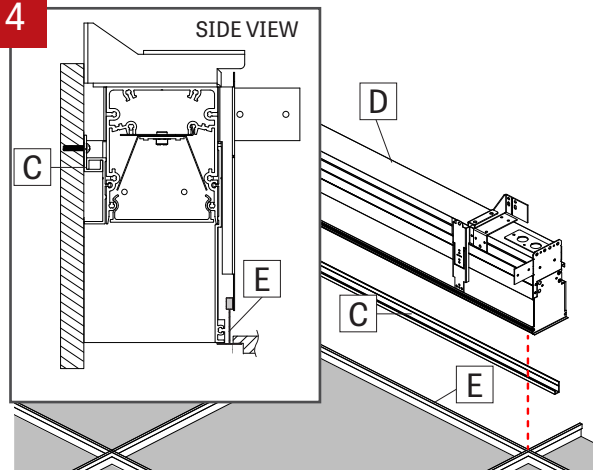
Remove ceiling tiles (B) where the fixture will be installed as well as the adjacent tiles for easy access during installation.

3



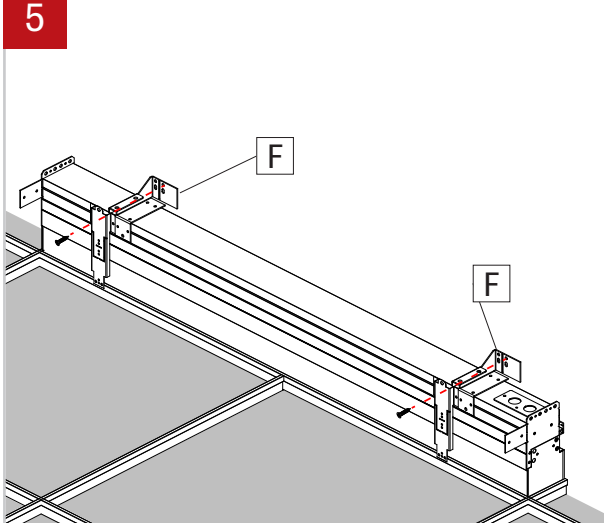
Locate J-Bar (C) position using provided client drawing. Install J-Bar (C) to wall. Align with structural stud or use drywall anchors when needed.

4



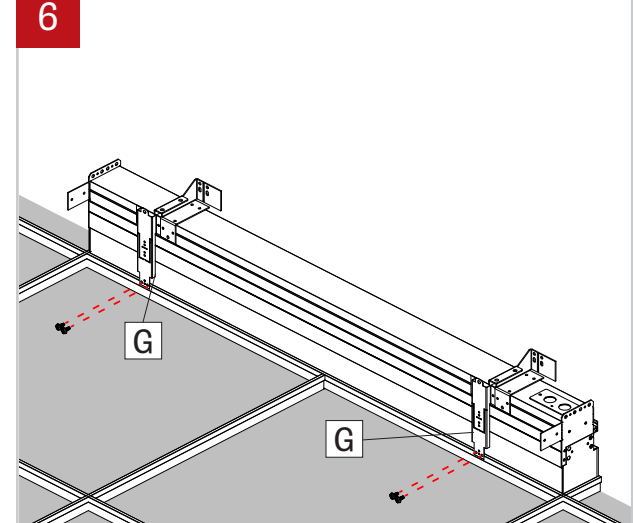
Raise the fixture above the ceiling and lower the fixture (D) onto the T-bars (E) and the J-Bar (C), adjustable of 1/4". **Please install the fixture's flange above the tile.**

5



Screw every wall brackets (F) to the wall.

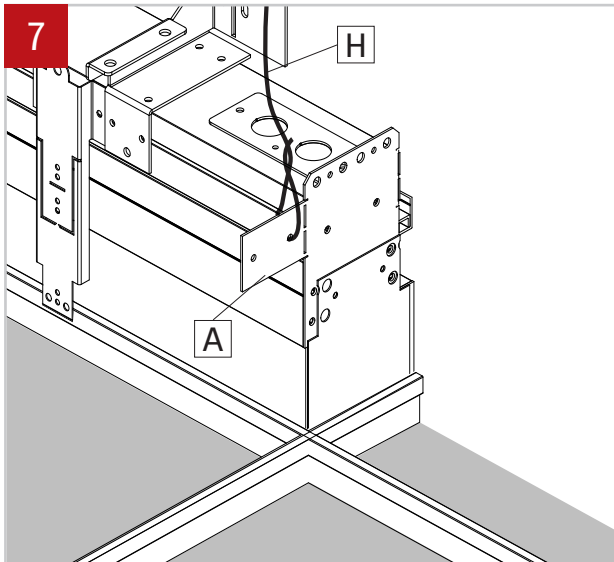
6



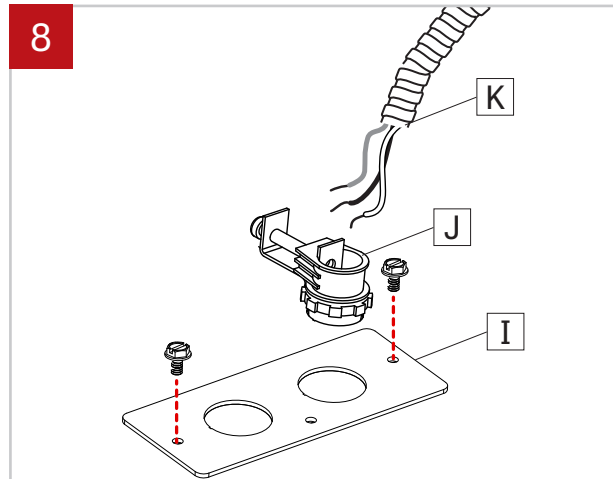
Screw every T-bar brackets (G) to the t-bar.

VIA PERIMETER 3-5

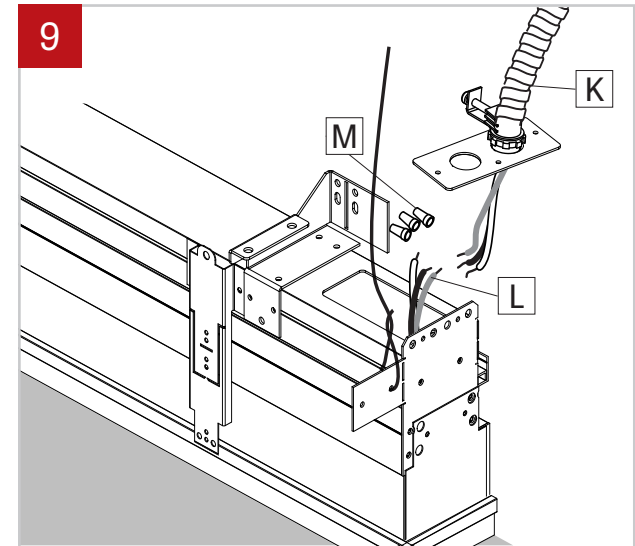
GRID CEILING - INSTALLATION INSTRUCTIONS



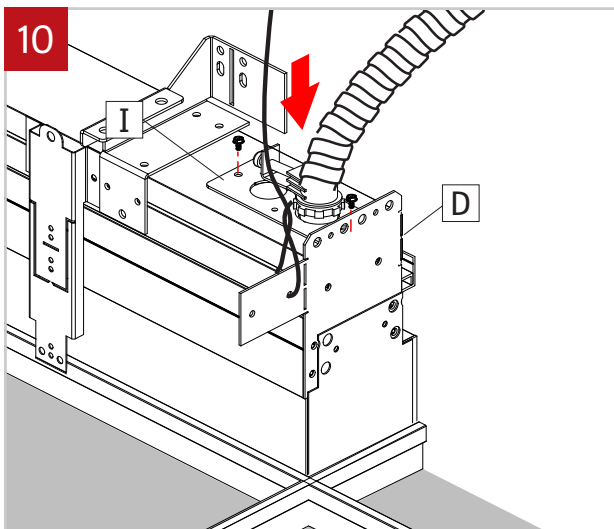
Safety wires (H) should be attached to the tabs (A).



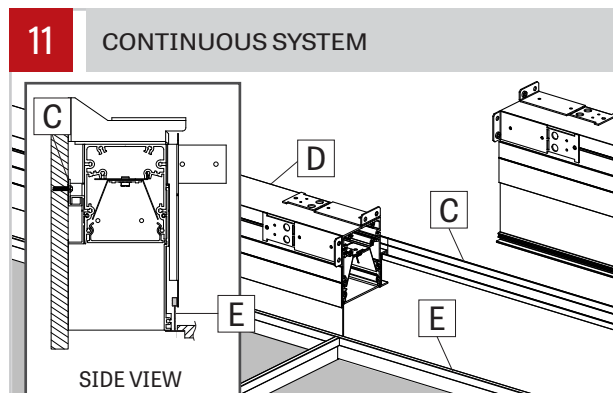
Remove power plate (I) from fixture and install BX connector (J) (by other) and BX cable (K) (by other) through the power plate. Tighten BX connector (J) screw.



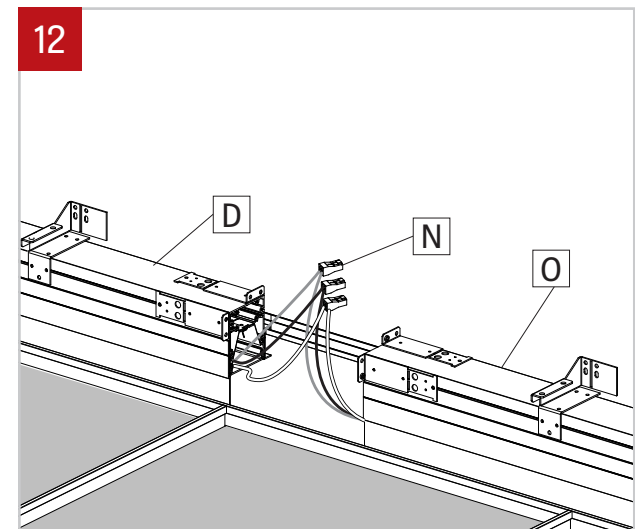
Connect cables from the BX cable (K) to the driver wires (L) using wire nuts (M).



Push connected wires inside the fixture. Reinstall power plate (I) onto fixture (D) by refastening screws to power plate (I) and fixture (D).



For a continuous system, repeat steps 2 and 3 then raise the first fixture (D) in the run above the ceiling and lower onto the T-bar (E) and the J-Bar (C), adjustable of 1/4". Repeat for the second fixture. **Please install the fixture's flange above the tile.** For sleeve adjustment, please refer to end-sleeve installation sheet.

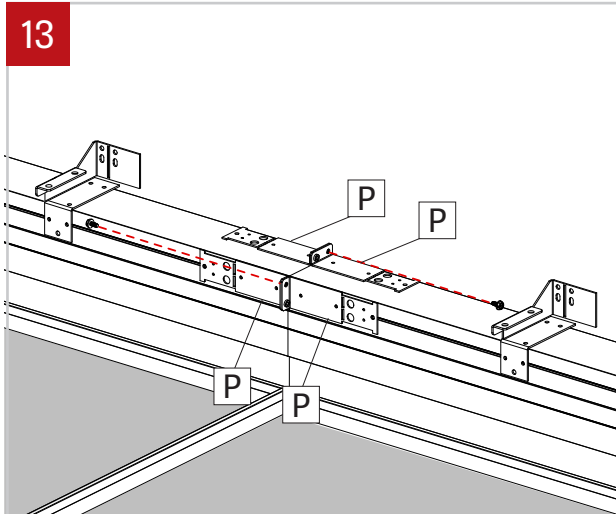


Make wire connection with wire connectors (N) between the two fixtures (D) and (O).

VIA PERIMETER 3-5

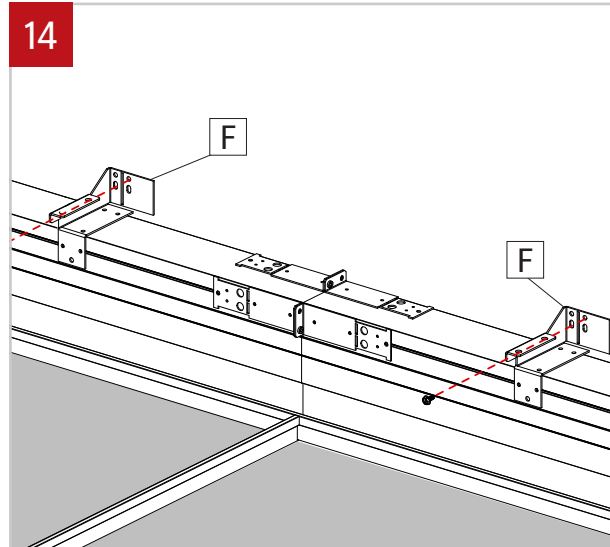
GRID CEILING - INSTALLATION INSTRUCTIONS

13



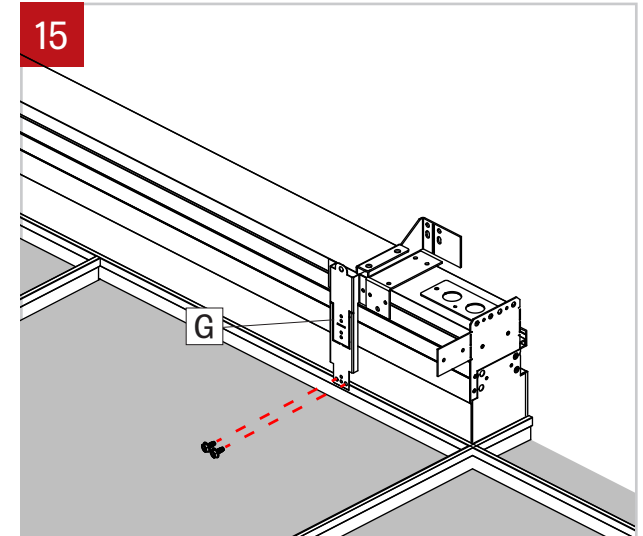
Slide the four fixture brackets (P) and attach them with screws. Repeat for all fixtures in the run.

14



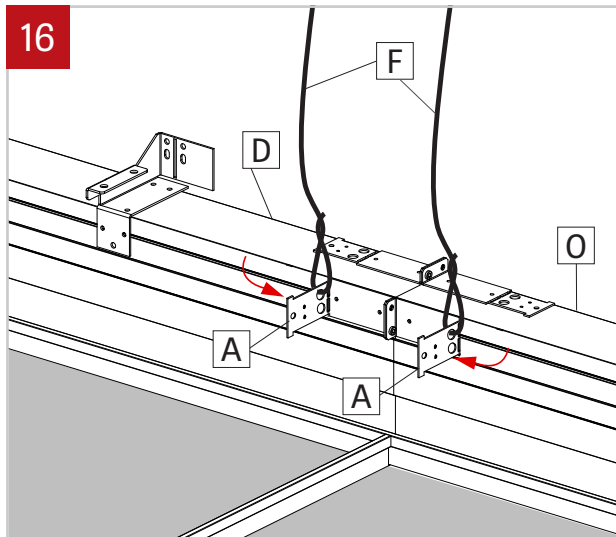
Screw every wall brackets (F) to the wall.

15



Screw every t-bar brackets (G) to the t-bar.

16



Bend the tabs (A) on the ends of the fixtures (D) and (O), attach safety wires (F) to them.