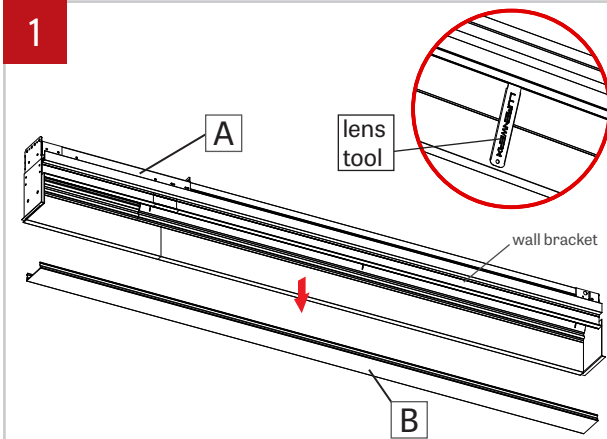
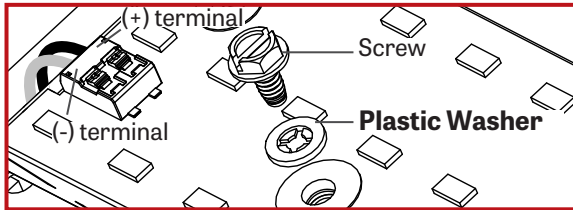


IMPORTANT: Installation instructions are shown with Via Perimeter 3 and applies to all Via Perimeter sizes **NOTE:** Wire dimming conductors as Class 1

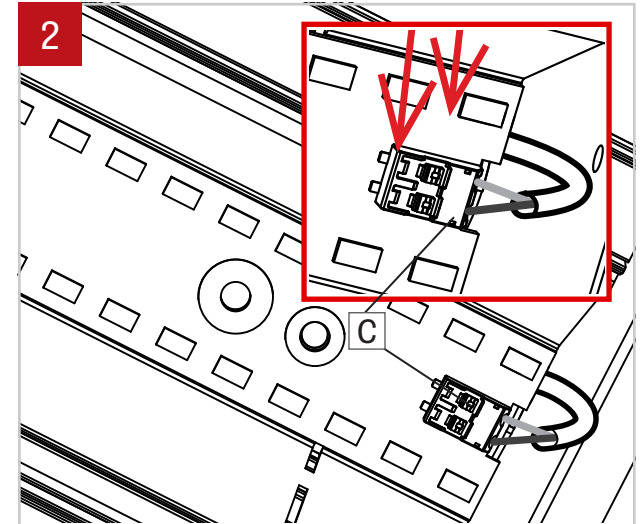


Reflector must be reinstalled with the screw and plastic washer that was originally supplied. If not, it can result in an electrical failure

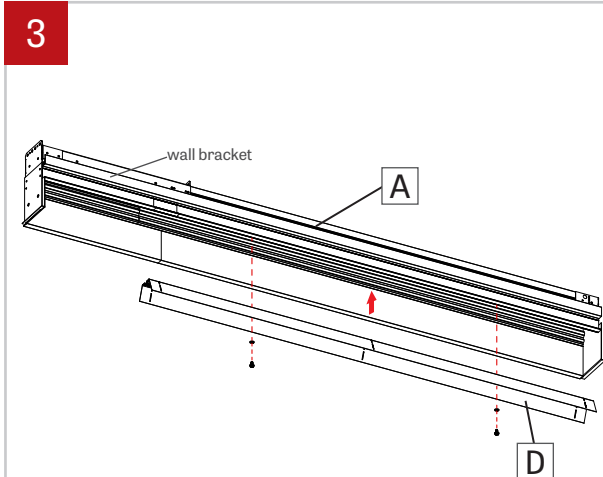
Make sure to reconnect the wires to the LED boards correctly



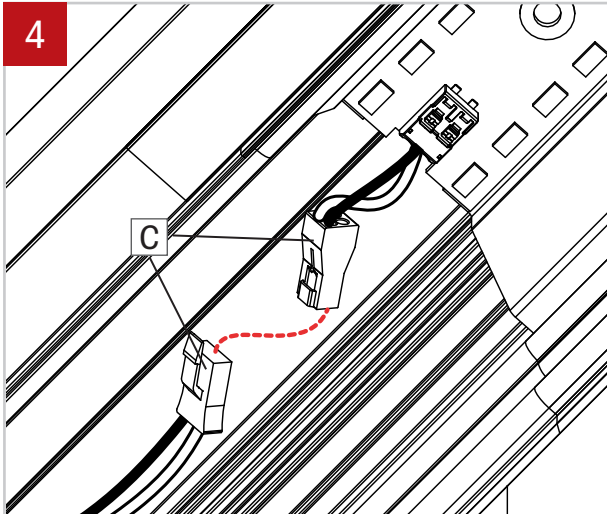
Make sure the power to the fixture (A) is turned off. Remove the lens (B) on the fixture (A) with the included lens tool.



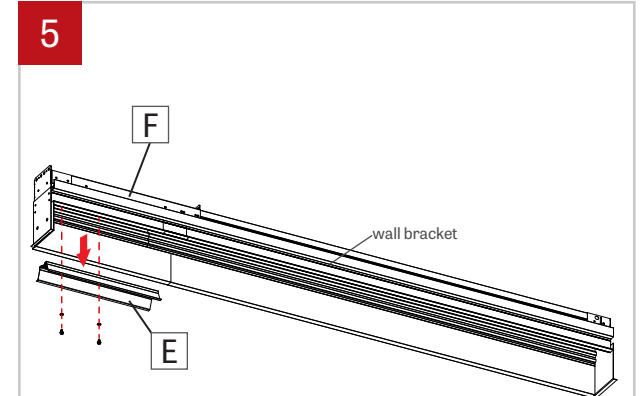
Disconnect LED mox connector (C) on the fixture's cartridge by taking a pointed object and pressing on the two tabs on the top.



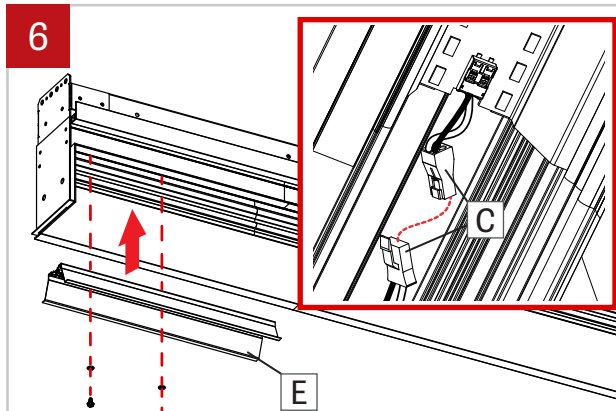
Unscrew the cartridge (D) and remove it from the fixture (A).



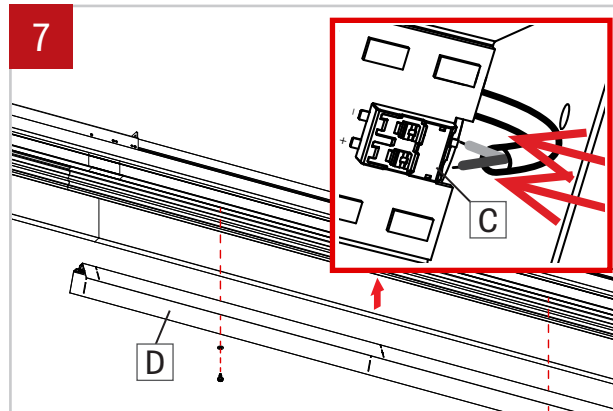
Disconnect LED mox connector (C) on the sleeve's cartridge by taking a pointed object and pressing on the two tabs on the top.



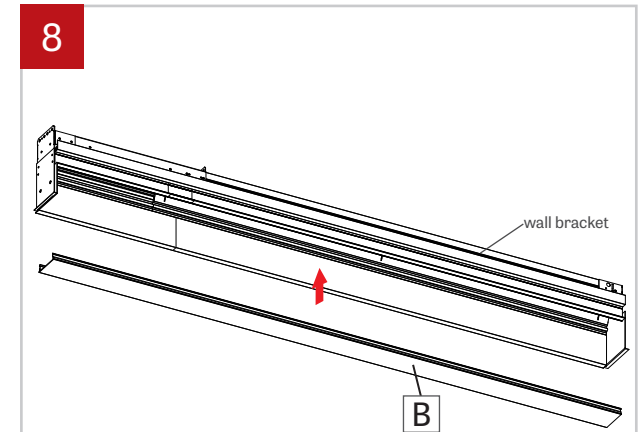
Unscrew the cartridge (E) and remove it from the sleeve (F).



Replace the sleeve's cartridge (E) and reconnect the LED connector (C). **NOTE: connect white wire into the negative (-) terminal and the black wire into (+) positive terminal.** Make sure that the wires are not hiding any LED diode. Reinstall the cartridges (D) by **using a screw with plastic washer. Do not apply too much pressure.**



Replace the fixture's cartridge (D) and reconnect the LED connector (C). **NOTE: connect white wire into the negative (-) terminal and the black wire into (+) positive terminal.** Make sure that the wires are not hiding any LED diode. Reinstall the cartridges (D) by **using a screw with plastic washer. Do not apply too much pressure.**



Reinstall the lens (B) back in place.