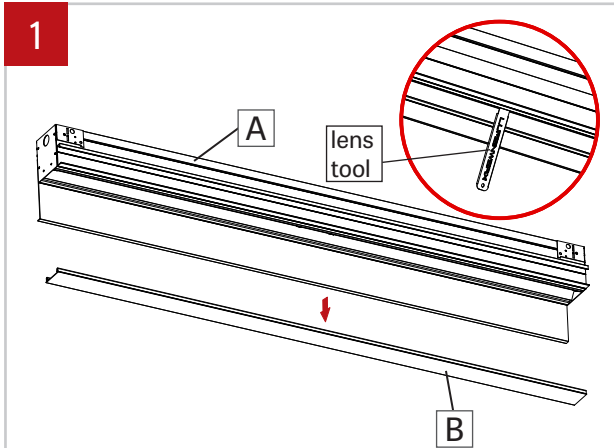
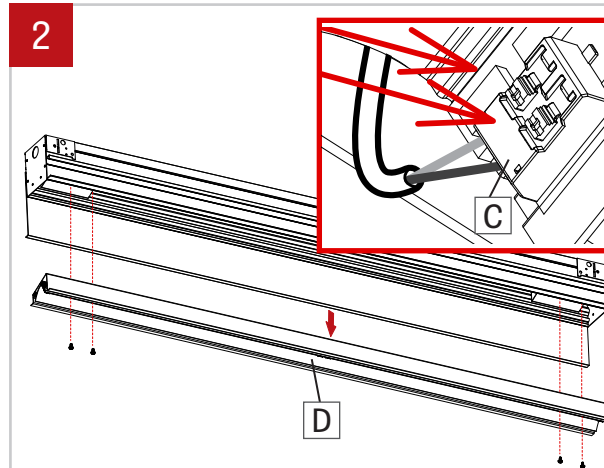


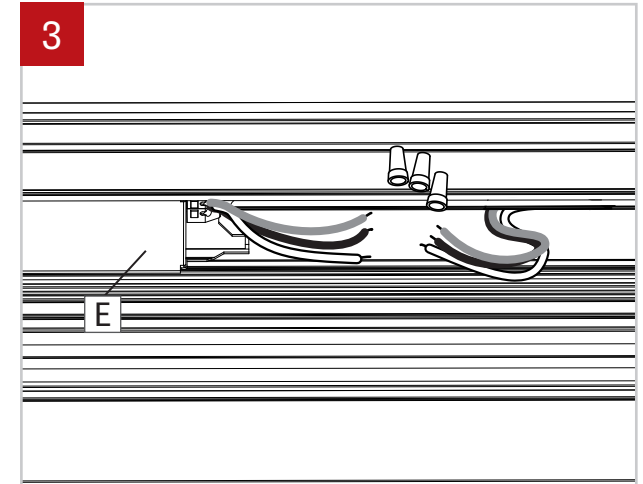
NOTE: Wire dimming conductors as Class 1



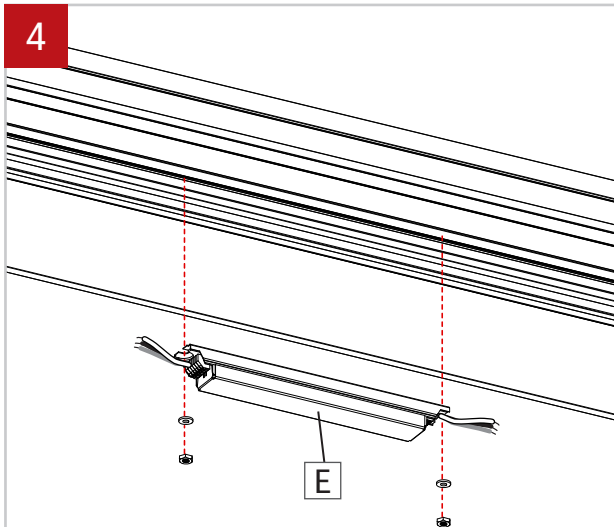
Make sure the power to the fixture (A) is turned off. Remove the lens (B) with the included lens tool.



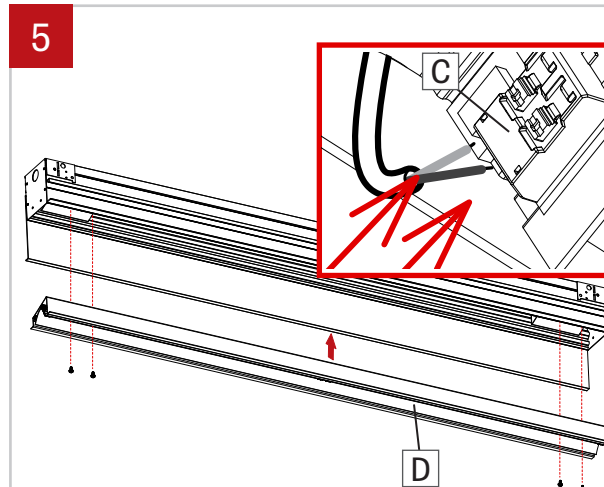
Disconnect LED mox connector (C) by taking a pointed object and pressing on the two tabs on the top. Unscrew the cartridge (D) and place it in a safe place.



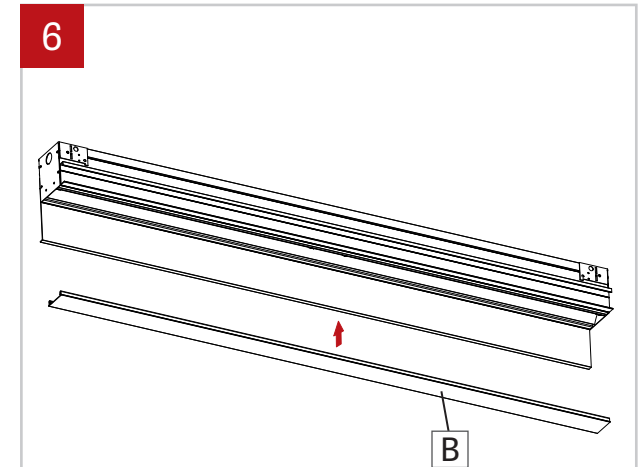
Disconnect wires from the driver (E).



Unscrew the driver (E) from the fixture. Replace the driver and make connection with wire nuts.



Reconnect the LED connector (C) to the cartridge (D). Reinstall the cartridge (D).



Reinstall the lens (B) back in place.