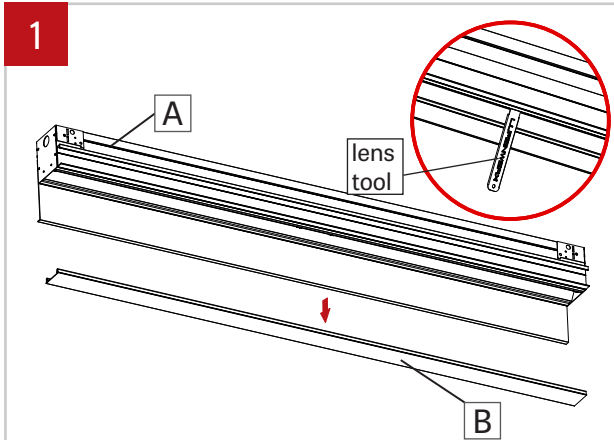
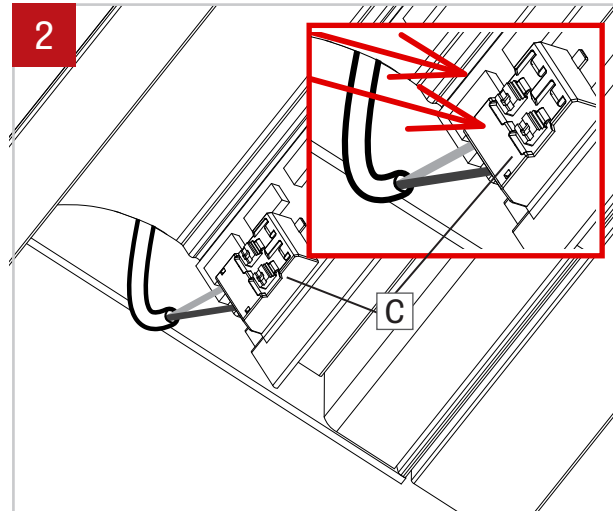


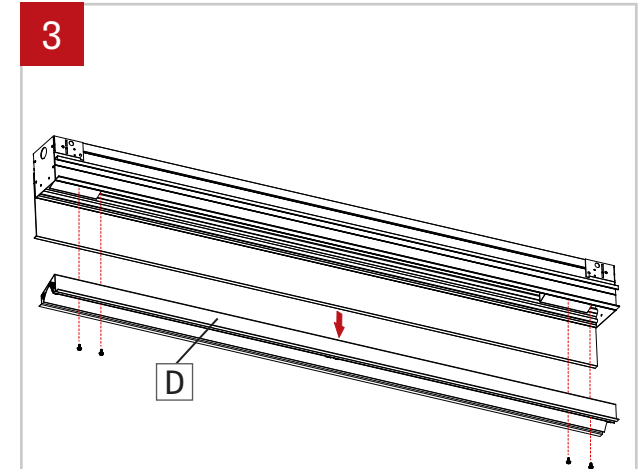
NOTE: Wire dimming conductors as Class 1



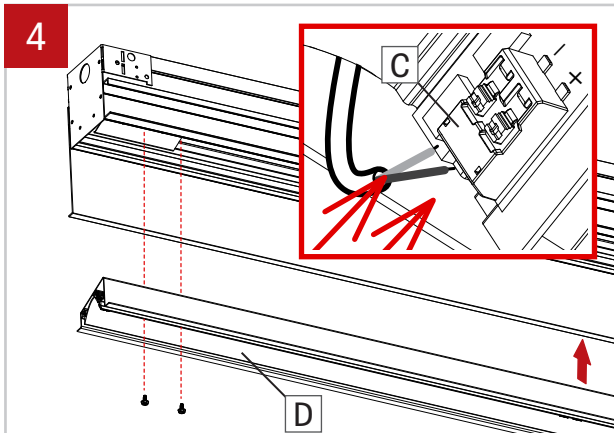
Make sure the power to the fixture (A) is turned off. Remove the lens (B) with the included lens tool.



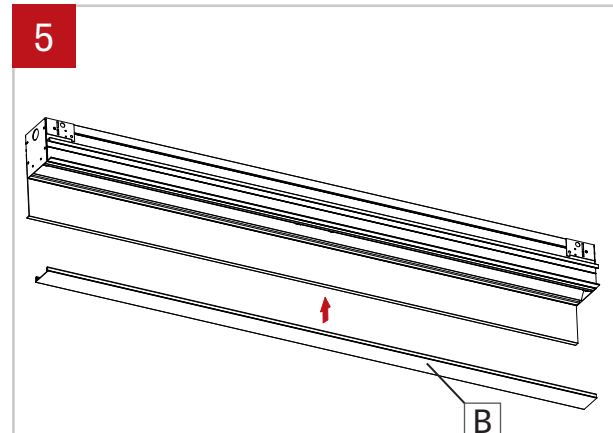
Disconnect LED molex connector (C) by taking a pointed object and pressing on the two tabs on the top.



Unscrew the cartridge (D) and remove it from the fixture.



Replace the cartridge (D) and reconnect the LED connector (C). **NOTE: connect white wire into the negative (-) terminal and the black wire into (+) positive terminal.** Make sure that the wires are not hiding any LED diode. Screw the cartridge back in place.



Reinstall the lens (B) back in place.