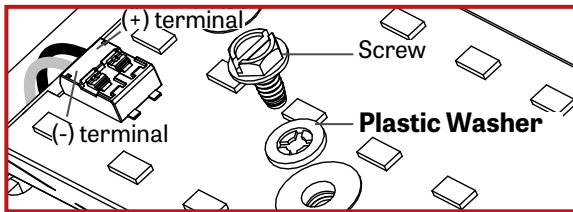


**IMPORTANT:** Installation instructions are shown with Via 1.5 and are applied to VIA 2

**NOTE:** Wire dimming conductors as Class 1



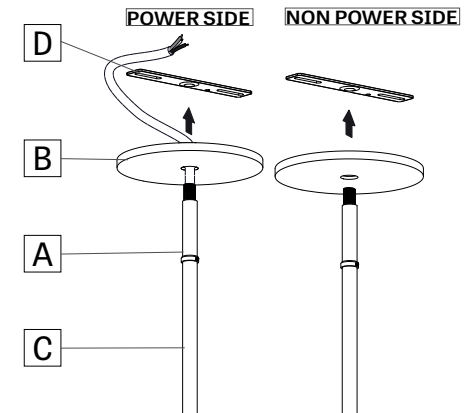
For VIA1.5, reflector must be reinstalled with the screw and plastic washer that was originally supplied. If not, it can result in an electrical failure  
 Make sure to reconnect the wires to the LED boards correctly



This product must be installed in accordance with the National Electrical Code and all applicable local codes, by a person familiar with the construction and operation of the product, and the hazards involved. proper grounding is required for safety.

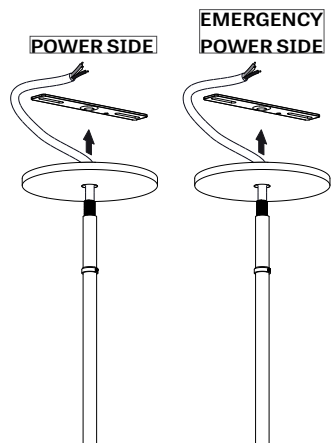
Ce produit doit être installé suivant le code national de l'électricité, ainsi que tous les codes locaux applicables, par une personne familière avec la construction et le fonctionnement du produit, ainsi que tous les risques qui y sont associés. la mise à terre électrique est obligatoire pour la sécurité.

### 1 SINGLE FIXTURE



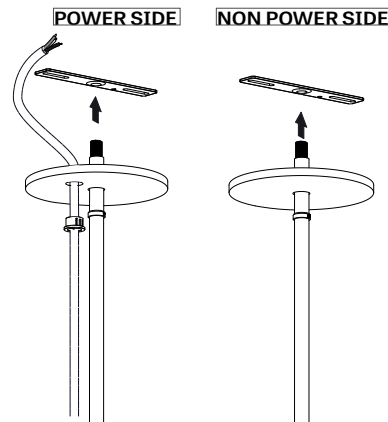
Make sure that the power to the fixture is turned off. Slide the slip ring (A) and the canopy (B) onto the stem (C) and leave some space. Screw the junction box crossbar (D) onto the stem (C).

### 2 FOR EMERGENCY CIRCUIT

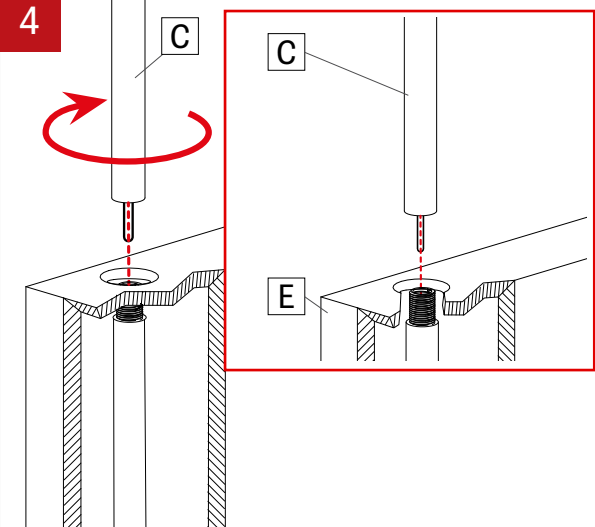


In the case where an **emergency circuit** is required, the wires to the emergency circuit will be passed through a second stem.

### 3 FOR FIXTURE IN GRID CEILING

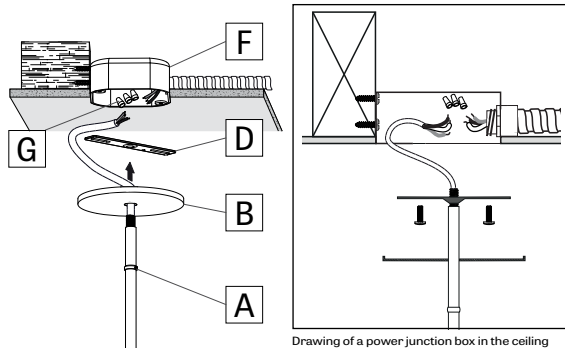


In the case where the luminaire is installed on a **grid ceiling**, the power cable will pass outside of the stem.



Screw the stems (C) onto the nipple at the ends of the fixture (E).

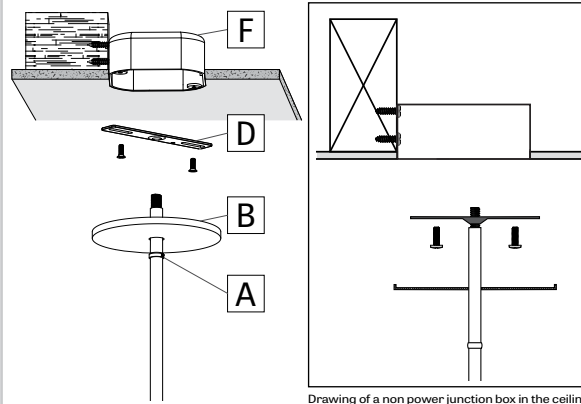
### 5 POWER SIDE



Drawing of a power junction box in the ceiling

Raise the fixture and tighten the junction box crossbar (D) with screws (by others) to the junction box (F). Make wire connection with wire connectors (G). Then slide the canopy (B) and tighten the set up with the slip ring (A). **Number of wires may vary.**  
**Warning: Power must come from Single branch circuit.**

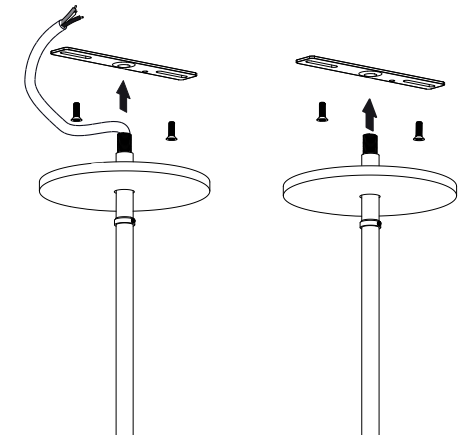
### 6 NON-POWER SIDE



Drawing of a non power junction box in the ceiling

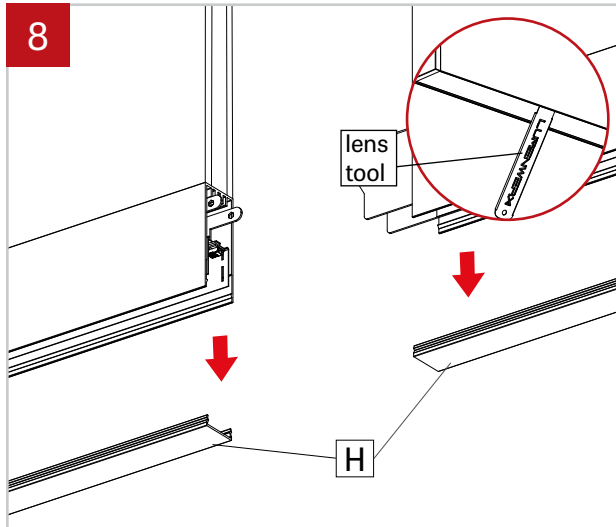
Raise the fixture and tighten the junction box crossbar (D) with screws (by others) to the junction box (F). Then slide the canopy (B) and tighten the set up with the slip ring (A).

### 7 CONTINUOUS SYSTEM



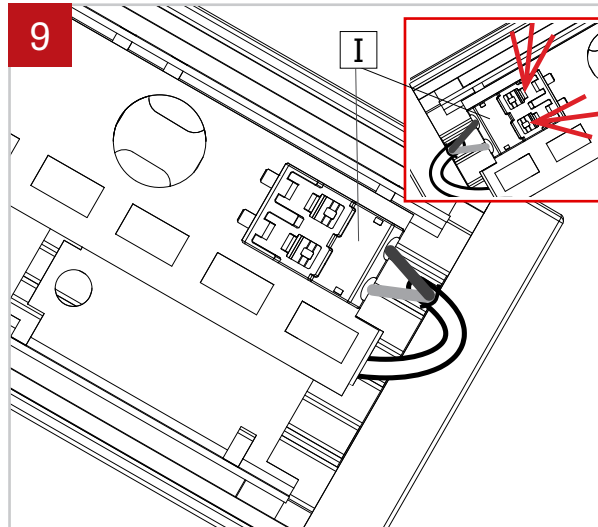
For a continuous system, repeat steps 1 to 3 for all mounting hardware.

### 8



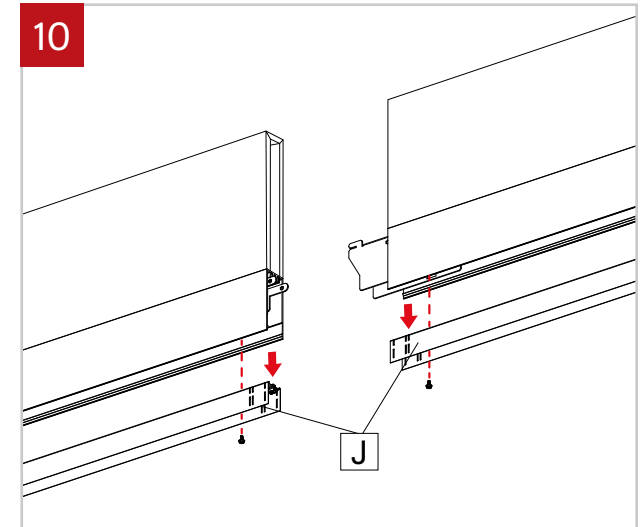
Remove the lenses (H) from all the fixtures in the run with the included tool.

### 9

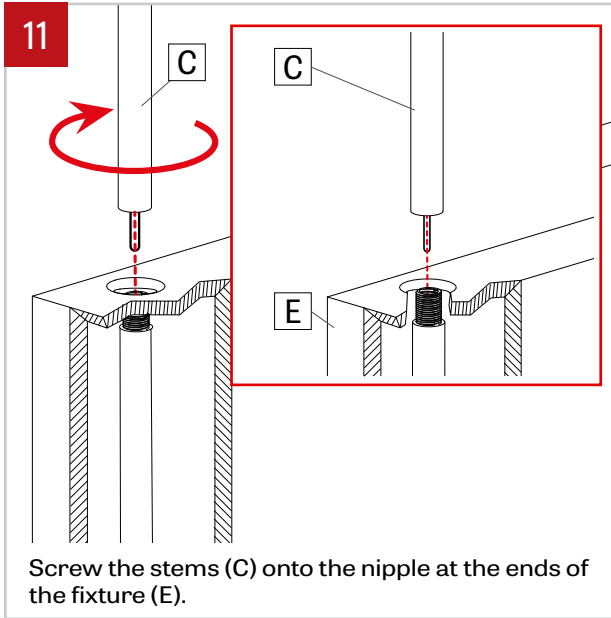


Disconnect LED mox connector (I) by taking a pointed object and pressing on the two tabs on the top.

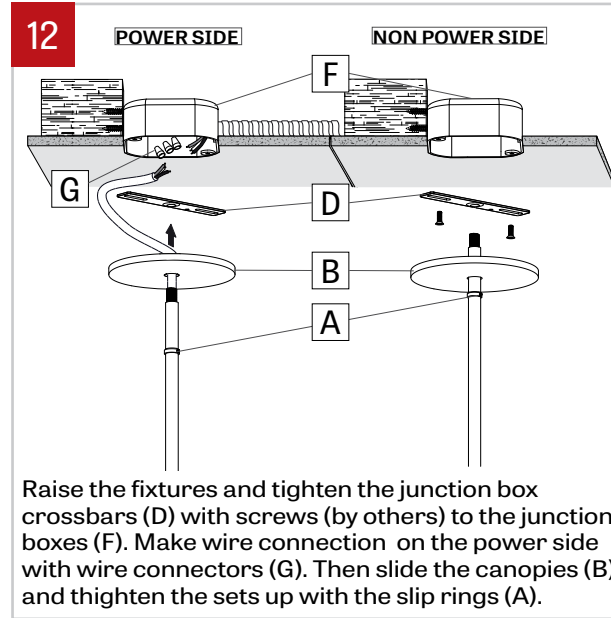
### 10



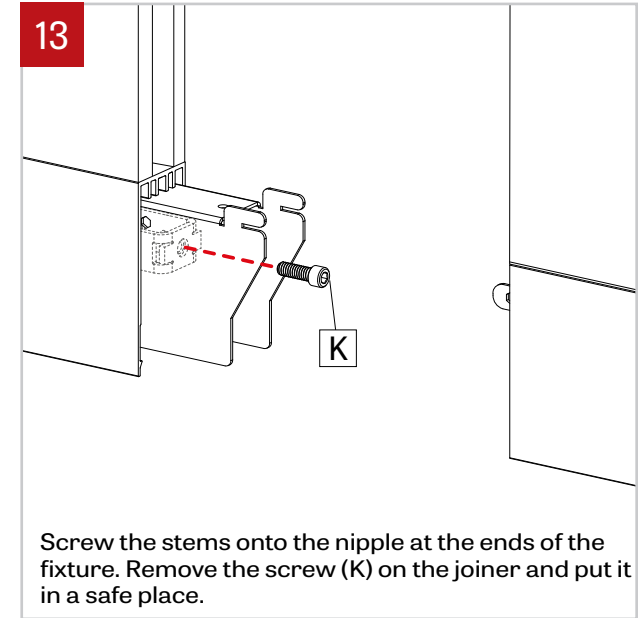
Remove all the end LED cartridges (J).



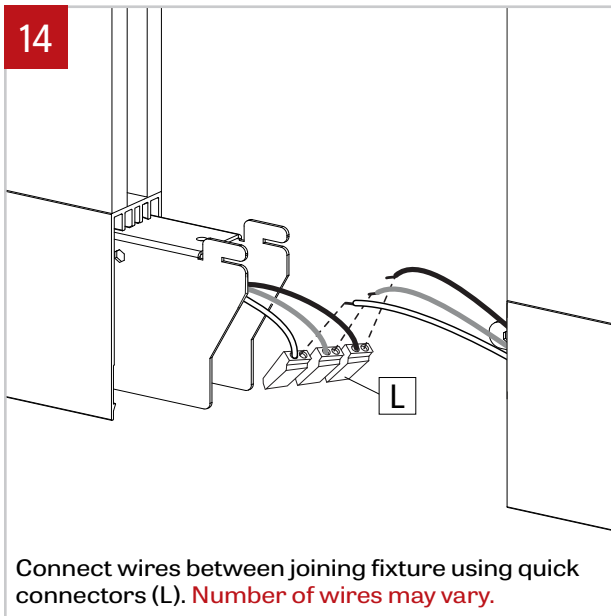
Screw the stems (C) onto the nipple at the ends of the fixture (E).



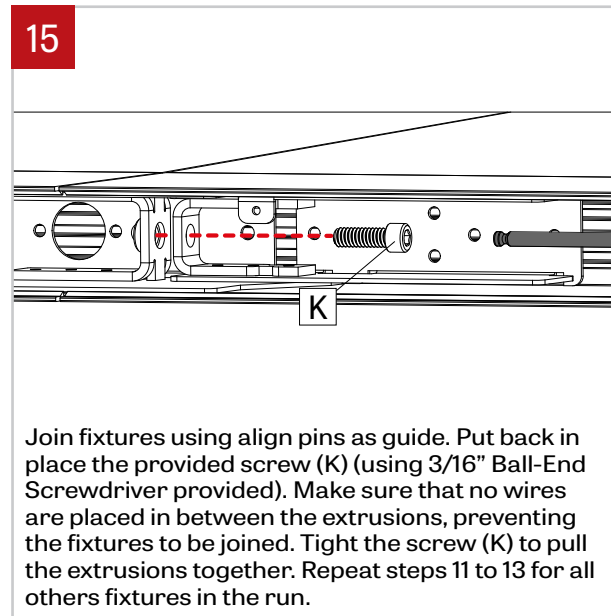
Raise the fixtures and tighten the junction box crossbars (D) with screws (by others) to the junction boxes (F). Make wire connection on the power side with wire connectors (G). Then slide the canopies (B) and thighten the sets up with the slip rings (A).



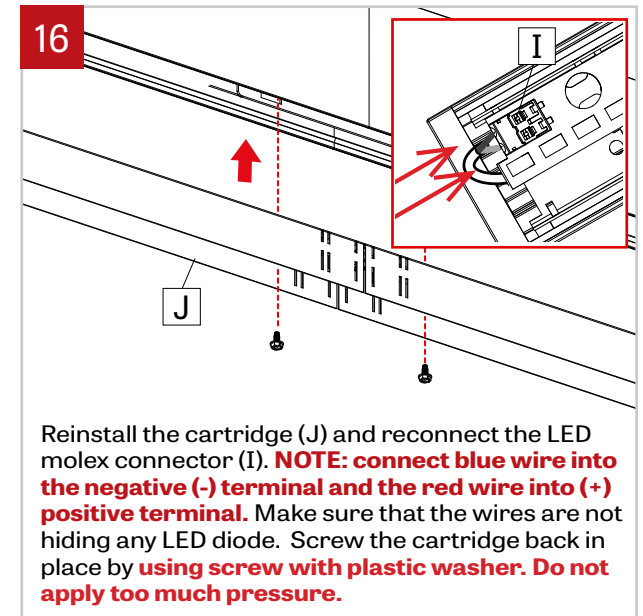
Screw the stems onto the nipple at the ends of the fixture. Remove the screw (K) on the joiner and put it in a safe place.



Connect wires between joining fixture using quick connectors (L). **Number of wires may vary.**



Join fixtures using align pins as guide. Put back in place the provided screw (K) (using 3/16" Ball-End Screwdriver provided). Make sure that no wires are placed in between the extrusions, preventing the fixtures to be joined. Tight the screw (K) to pull the extrusions together. Repeat steps 11 to 13 for all others fixtures in the run.



Reinstall the cartridge (J) and reconnect the LED moxex connector (I). **NOTE: connect blue wire into the negative (-) terminal and the red wire into (+) positive terminal.** Make sure that the wires are not hiding any LED diode. Screw the cartridge back in place by **using screw with plastic washer. Do not apply too much pressure.**

